

# SNELLO BASE UNIT PULL-OUT

The space-saving pull-out system for compact kitchens



swiss made

## CONFIGURATIONS



Base unit pull-out, Libell  
(white, silver, anthracite)



Base unit pull-out, Fiore  
(anthracite)



Towel rail extension, Libell  
(white, silver, anthracite)



Towel rail extension, Fiore  
(anthracite)

## DISTINGUISHING FEATURES



- Special pull-out for narrow base units (150 – 300 mm)
- Great for storing spices, cleaning materials or bottles

- Makes optimal use of space in small kitchens
- Includes a towel rail and a handy plastic container for cloths and sponges
- A great solution for those small spaces around the sink or cooker

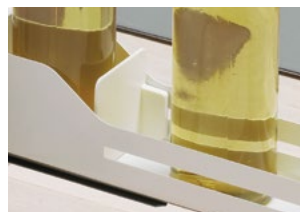
- The shelves are easy to remove for cleaning
- The shelves' closed bases stop bottles from toppling and small items from falling through
- Moves smoothly and quietly

## OPTIONS



### Non-slip mat

This non-slip mat stops the unit's contents from sliding around.



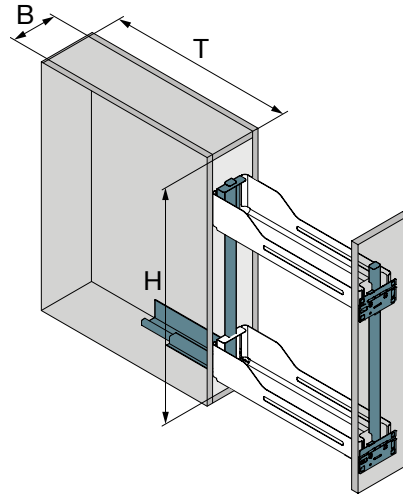
### Divider

Magnetic dividers are a flexible way for you to organise the space in your unit and stop bottles from toppling.

## TECHNICAL ILLUSTRATION

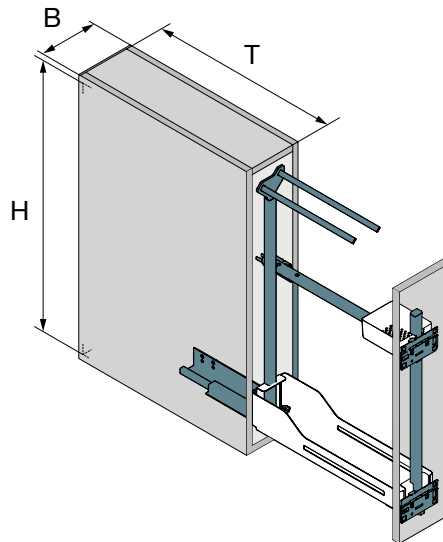
### Snello base unit pull-out

<b>B= Unit widths</b>	150/200/300 mm
<b>T= Interior depth</b>	475 mm
<b>H= Interior height</b>	520 mm



### Snello towel rail extension

<b>B= Unit width</b>	150 mm
<b>T= Interior depth</b>	475 mm
<b>H= Interior height</b>	660 mm





### Snello Libell base unit pull-out

Base unit full-extension pull-out Comfort

- Includes 2 clip-on shelves Libell
- Including Softclose (top and bottom)

Load capacity type 150/200: 15 kg

Load capacity type 300: 20 kg

Unit width	Surface	Width	Depth	Height	Art. No.
150	white	110	475	520	200.1273.xx
200	silver	160	475	520	200.1276.xx
300	anthracite	260	475	520	200.1283.xx

Colour code .xx: 01 = white, 12 = silver, 43 = anthracite



### Snello Libell towel rail extension

Base unit full-extension pull-out Standard

- Includes 1 clip-on shelf Libell
- Hand-towel rail with non-slip coating
- Includes a container for small utensils
- Includes Softclose (bottom)

Load capacity: 15 kg

Unit width	Surface	Width	Depth	Height	Art. No.
150	white	110	475	660	200.1809.01
150	silver	110	475	660	200.1809.12
150	anthracite	110	475	660	200.1809.43



### Non-slip mat magnetic

For Snello Libell base unit full-extension pull-out

- Magnetic
- Easy to remove for cleaning

oyster white = for white shelves

walnut grey = for silver/anthracite shelves

Unit width	Surface	Width	Depth	Height	Art. No.
150	oyster white walnut grey	67	390	0.5	200.1277.xx
200		105	390	0.5	200.1278.xx
300		205	390	0.5	200.1279.xx

Colour code .xx: 57 = oyster white, 56 = walnut grey



### Non-slip mat Standard Libell

For Snello Libell base unit full-extension pull-out

- Gummed on both sides
- Raised diamond pattern
- Easy to remove for cleaning

Unit width	Surface	Width	Depth	Height	Art. No.
150	grey	79	418	1	200.1331.18
200	grey	129	418	1	200.1332.18
300	grey	229	418	1	200.1333.18



### Snello Fiore base unit pull-out

Base unit full-extension pull-out Comfort

- Includes 2 clip-on shelves Fiore
- Includes 4 wooden rails oak high (height 87 mm)
- Includes Softclose (top and bottom)

Load capacity type 150/200: 15 kg

Load capacity type 300: 20 kg

Unit width	Surface	Width	Depth	Height	Art. No.
150	anthracite	110	475	520	200.1864.43
200	anthracite	160	475	520	200.1865.43
300	anthracite	260	475	520	200.1866.43



### Snello Fiore towel rail extension

Base unit full-extension pull-out Standard

- Includes 1 clip-on shelf Fiore
- Includes 2 wooden rails oak high (height 87 mm)
- Hand-towel rail with non-slip coating
- Includes a container for small utensils
- Includes Softclose (bottom)

Load capacity: 15 kg

Unit width	Surface	Width	Depth	Height	Art. No.
150	anthracite	110	475	660	200.1867.43



### Non-slip mat Standard Fiore

For Snello Fiore base unit full-extension pull-out

- Gummed on both sides
- Raised diamond pattern
- Easy to remove for cleaning

Unit width	Surface	Width	Depth	Height	Art. No.
150	grey	83	431	1	200.1900.18
200	grey	133	431	1	200.1901.18
300	grey	233	431	1	200.1902.18



### Shelf divider

Magnetic divider for Libell shelves

- Can be attached to the shelf (base or side) or the non-slip mat

	Surface	Width	Depth	Height	Art. No.
	white	85	26 / 3	90	100.0706.51
	grey	85	26 / 3	90	100.0706.52
	anthracite	85	26 / 3	90	100.0706.43

Order quantity: 4 pieces or a multiple per article number