

base
floor

SYSKOR
aluminium systems

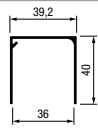


base floor

TOP TRACKS
S75

TOP TRACK E1

cod. **817400*****

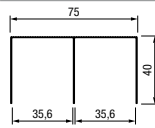


length 4 m
industry packing 1 box of 12 profiles
minimum quantity*
finishes ***

white **A01**
silver **A02**

TOP TRACK
CAA75

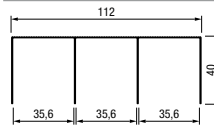
cod. **110400*****
cod. **110600*****



length 4 m y 6 m
industry packing 1 box of 8 profiles

TOP TRACK
TRIPLE CA3G-S75

cod. **108400*****
cod. **108600*****



length 4 m y 6 m
industry packing 1 box of 8 profiles

SIDE CAP FOR
E1 SINGLE TRACK

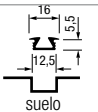
cod. **800000015**



BOTTOM
TRACKS
S75

SET IN BOTTOM
TRACK CBE16

cod. **116500*****

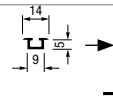


length 5m
industry packing 1 pack of 16 profiles
minimum quantity*
finishes ***

white **A01**
silver **A02**

BOTTOM TRACK
E1

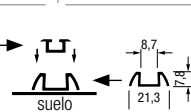
cod. **815400*****



length 4 m
industry packing 1 pack of 12 profiles

BOTTOM TRACK
SUPPORT FOR E1

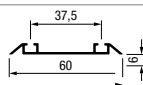
cod. **816400*****



length 4 m
industry packing 1 pack of 12 profiles

BOTTOM TRACK
"K"

cod. **812400*****
cod. **812600*****



length 4 / 6 m
industry packing 1 pack of 6 profiles

BOTTOM METAL
STOPPER





cod. **804FRE000**




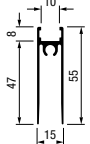
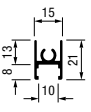
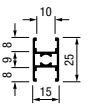


steel

to be used with "K" & "E1"
bottom tracks

box of 100 units

	HANDLE TR-BASE-S3	HANDLE TR-BASE25	HANDLE TR-BASE55	HANDLE TR-BASE-S1
	17D260*** 2,6 m 17D290*** 2,9 m	17A260*** 2,6 m 17A290*** 2,9 m	17B260*** 2,6 m 17B290*** 2,9 m	17C260*** 2,6 m 17C290*** 2,9 m
				
length	2,6 / 2,9 m	2,6 / 2,9 m	2,6 / 2,9 m	2,6 / 2,9 m
industry packing	1 box of 16 profiles	1 box of 16 profiles	1 box of 10 profiles	1 box of 16 profiles
minimum quantity*				
finishes	***			
white	A01			
silver	A02			

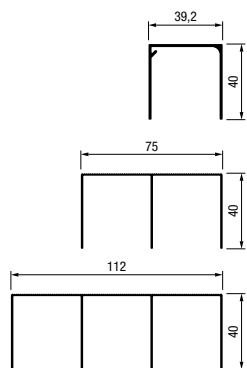
	“U” HORIZONTAL BOTTOM PROFILE RI-BASE	TOP HORIZONTAL PROFILE RS-BASE FLOOR	“H” HORIZONTAL CENTRAL PROFILE RC-BASE
	cod. 173400***	cod. 174400***	cod. 175400***
			
			
length	4 m	4 m	4 m
industry packing	1 pack of 8 profiles	1 pack of 8 profiles	1 pack of 8 profiles
minimum quantity*			
finishes	***		
white	A01		
silver	A02		



floor supported sliding doors concealed rollers

rollers, dampers & glass fittings
3/4/5/6 mm

TOP TRACKS



TOP ROLLER BALL BEARING BASE

cod. **170RDS75**



galvanized



1 bag of 100 units

BOTTOM ROLLER S020 (Ø40)

cod. **170RIND40**



galvanized

1 box of 100 units

SCREW M6X30

cod. **170000001**



galvanized

1 bag of 100 units

PROFILE PVC LATERAL BASE

cod. **170003001**



pvc grey



1 roll of 50 m

PROFILE GLASS "V" 3/4/5/6 mm

cod. **170005001**



pvc transparent



3 m
box of 20 strips of 3 m

DRILLING TEMPLATE BASE

cod. **170000002**



SET OF 2 DAMPERS T-15S / T-40S

cod.	door weight
804RETACK015S	up to 15 Kg
804RETACK040S	up to 40 Kg

set composed by:

2 dampers, 2 activator pins, 4 fixing plates, screws, instructions

box of 25 sets



SET OF 2 DAMPERS T-60S / T-80S

cod.	door weight
804RETACK060S	up to 60 Kg
804RETACK080S	up to 80 Kg

set composed by:

2 dampers, 2 activator pins, 4 fixing plates, screws, instructions

box of 25 sets



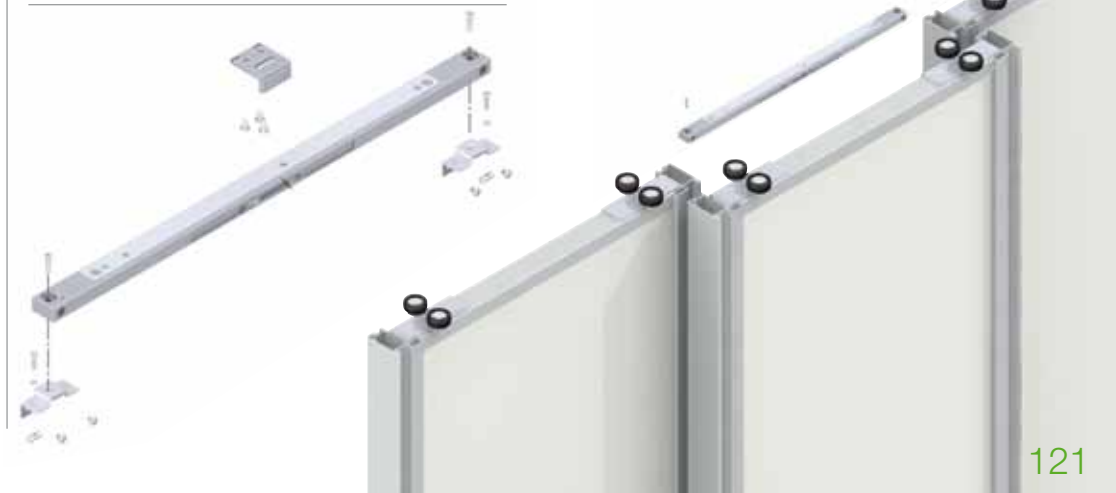
CENTRAL DAMPER SET TERRA / BASE FOR 3 DOORS WARDROBES (TO BE USED ON TERRA AND BASE SYSTEMS)

cod.	door weight
804RETCEN	UP TO 40 Kg

set composed by:

1 damper, 1 activator, 1 support set Terra, 1 support set Base, screws & instructions.

box of 25 sets





TOP ROLLER BALL BEARING BASE

cod. **170R0DS75**



galvanized



1 bag of 100 units

BOTTOM ROLLER S020 (Ø40)

cod. **801S02000**



galvanized

1 bag of 100 units

SCREW M6X30

cod. **170000001**



galvanized

1 bag of 100 units

PROFILE PVC LATERAL BASE

cod. **170003001**



pvc grey



1 roll of 50 m

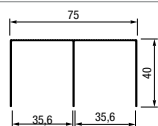
floor supported sliding doors

75mm top track - 18mm panels

TOP TRACKS S75

TOP TRACK CAA75

cod. **110600*****



measures 6 m

packing 1 box of 8 profiles

finishes ***

aluminium finish

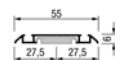
silver **A02**

inox **A12**

BOTTOM TRACKS S75

BOTTOM TRACK CBD55

cod. **11A600*****



6 m

1 box of 8 profiles

BOTTOM METAL STOPPER

cod. **804FRE000**



stainless steel

to be used with "K" & "E1"
bottom tracks

box of 100 units

€/unit **0,054**

BOTTOM TRACK FIXING CLIP R3

cod. **800000016**



nylon black

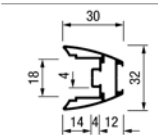


50 units bag

€/unit **0,42**

HANDLE TR-BASE S1-18

cod. **17I260*****



measures 2,6 m

packing 1 box of 16 profiles

finishes ***

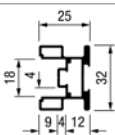
aluminium finish

silver **A02**

inox **A12**

HANDLE TR-BASE 25-18

cod. **17J260*****

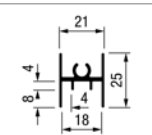


2,6 m

1 box of 16 profiles

TOP HORIZONTAL PROFILE RS-BASE 18

cod. **17G400*****

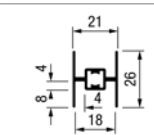


4 m

1 box of 5 profiles

"H" HORIZONTAL CENTRAL PROFILE RC-BASE 18

cod. **17F400*****

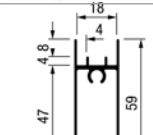


4 m

1 box of 5 profiles

"H" HORIZONTAL BOTTOM PROFILE RI-BASE 18

cod. **17E400*****



4 m

1 box of 5 profiles

