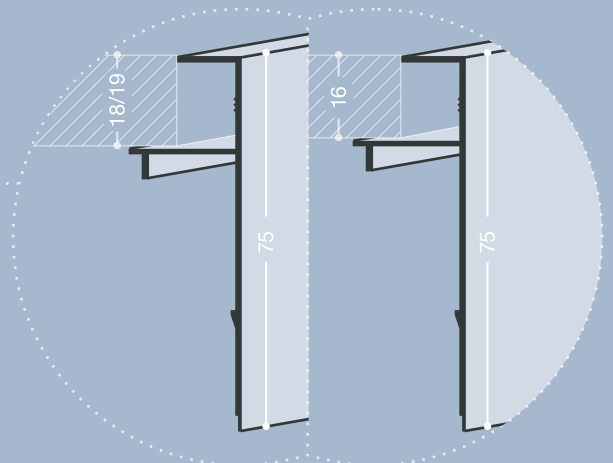
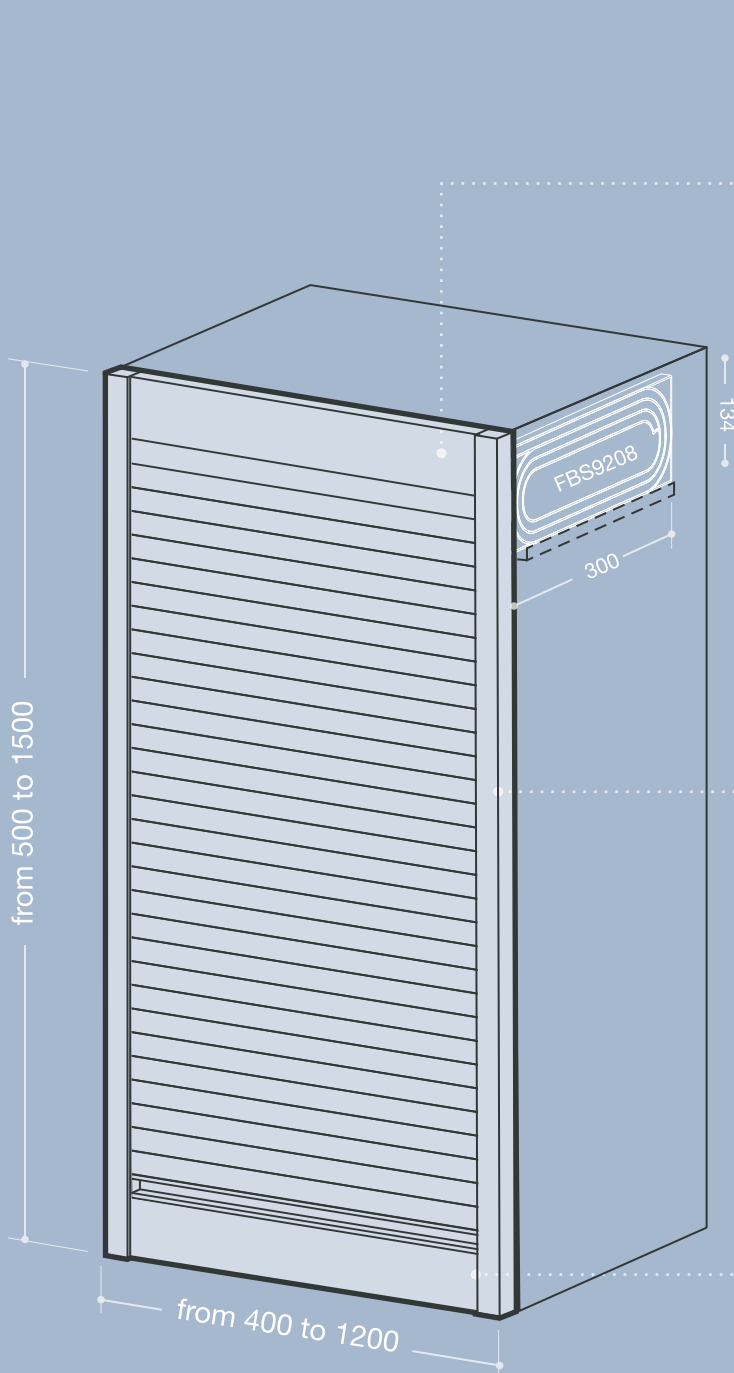
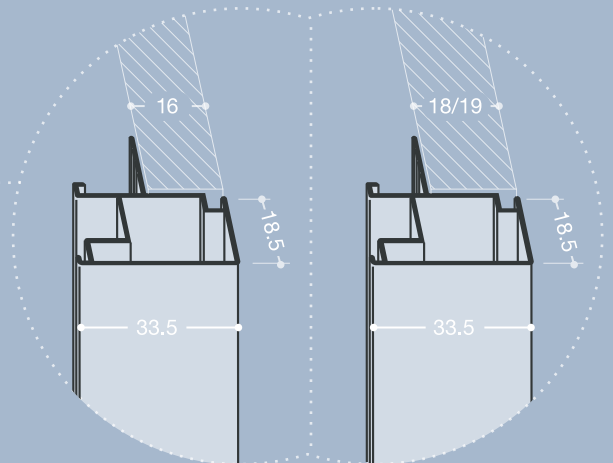


BOXMILANO

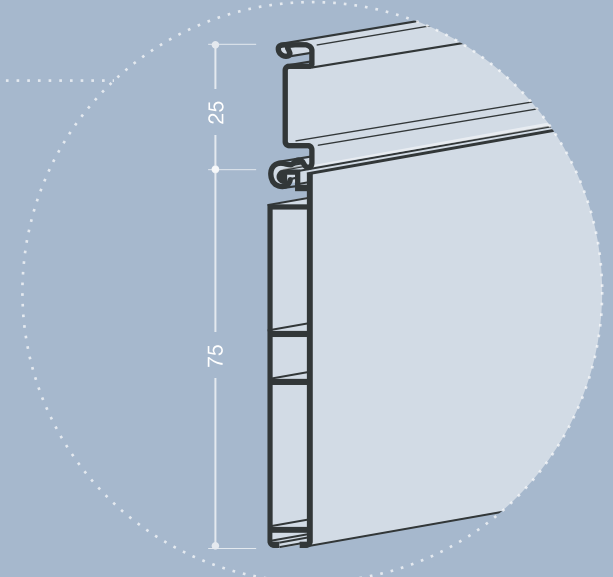
BM1 | BoxMilano Standard



PROFILO TOP / TOP PROFILE
cod. FBS7518 (pannelli da 18 - 19 mm)
cod. FBS7515 (pannelli da 16 mm)



PROFILO GUIDA / GUIDE PROFILE
cod. FBS7519 (pannelli da 18 - 19 mm)
cod. FBS7516 (pannelli da 16 mm)

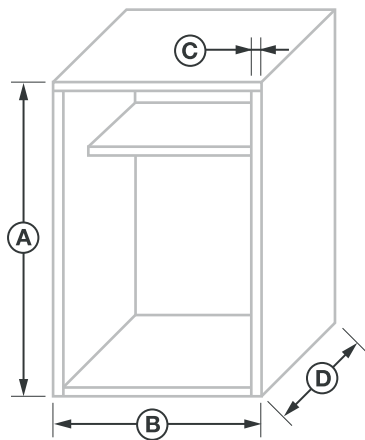


PROFILO CON MANIGLIA / PROFILE WITH HANDLE
cod. FBS7512 + FBS2010 (handle)

misure in mm - dimensions in mm

| | |
|--|-----------------|
| SPESSORE PANNELLO BOARD THICKNESS | 16 / 18 / 19 mm |
| INGOMBRO INTERNO PISTA INTERNAL COILER DIMENSIONS | 300 x 134 mm |
| ARRETRAMENTO RIPIANI SHELVES SETBACK | 50 mm |

Compilare il presente modulo in tutte le sue parti per una corretta registrazione del vostro ordine.
Fill in this sheet in full for a correct processing of your order



Misure mobile / Cabinet dimensions

| A | B | C | D | QUANTITÀ QUANTITY |
|---|---|---|---|----------------------|
| | | | | |
| | | | | |
| | | | | |
| | | | | |
| | | | | |

Varianti / Options

box con base
box with basement

box senza base
box without basement

FBS2060
profilo coprivite
screw cover profile

FBS7540
serratura
lock

FBS2010
maniglia intermedia
intermediate handle

standard

wind mix

wind

FBS2020

FBS2125

FBS2000
rinforzato reinforced

FBS2025
rinforzato reinforced

FBS2140

FBS2141
rinforzato reinforced

Finitura / Finishing

ANODIZZATI / ANODIZED

- A - brushed
- A2 - inox brushed
- B - mill finish
- B2 - mill inox
- BR2 - matt bronze
- SN - sat nat

PREVERNICIATI / PREPAINTED

- U5 - alumatt
- U6 - inox
- M3 - white
- M4 - matt white
- L2 - matt black
- MO01 - mahogany
- FR01 - ash
- NC01 - walnut

Alcune varianti di dogia non sono disponibili in tutte le finiture. Some type of slat are not available in all the finishing