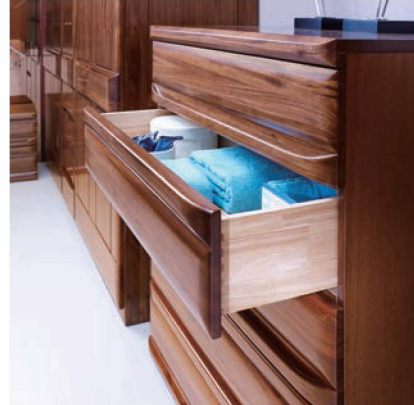




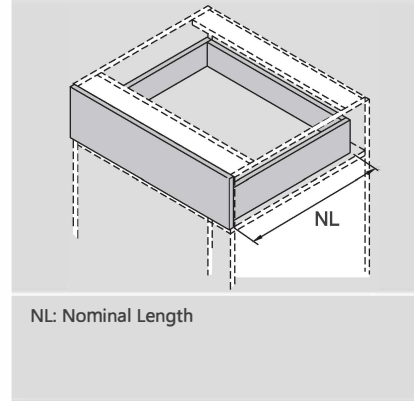
PRODUCT



DESCRIPTION

- Load capacity: 25kg
- Finish: zink plated
- Length: 250-600mm
- Partial extension
- Drawer up&down adjustment: 0~+4mm
- Tool free assembly and removal of drawer
- Silent system guarantees smooth run without noise

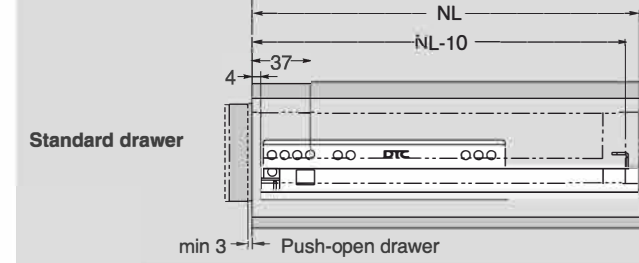
SPACE REQUIREMENT



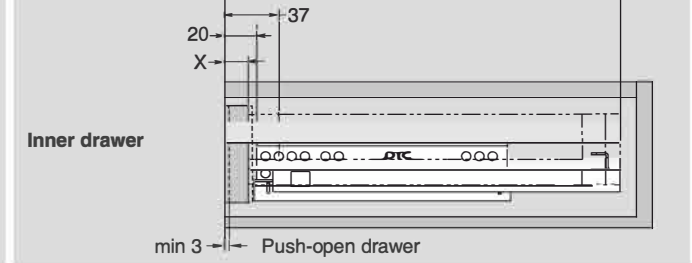
PLANNING

Installation Dimensions(mm)

NL=Nominal Slide Length
LT=Internal Cabinet Depth
LT=NL+3



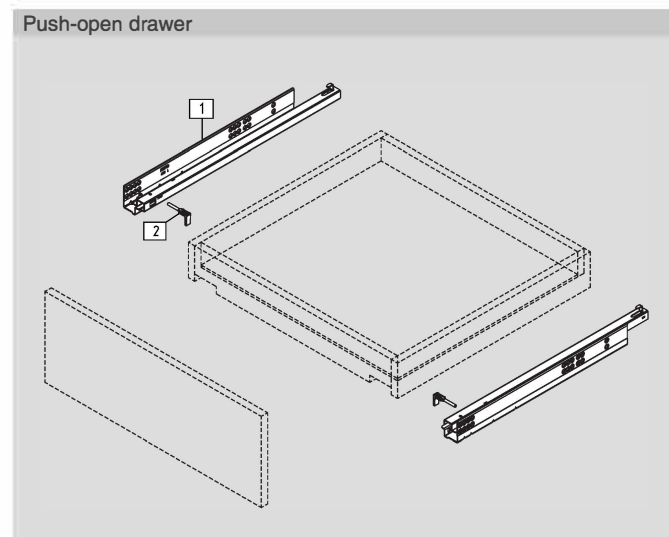
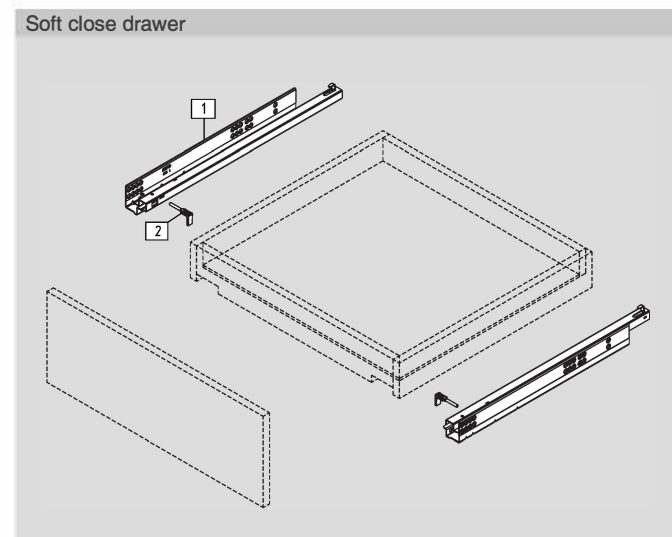
NL=Nominal Slide Length
LT=Internal Cabinet Depth
LT=NL+21



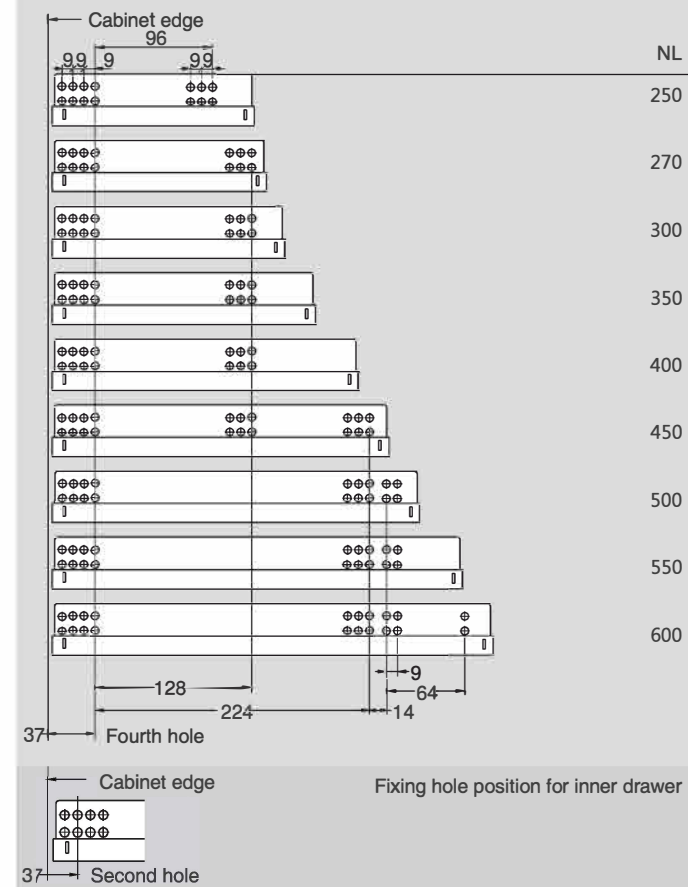
SOFT CLOSE DRAWER/PUSH-OPEN DRAWER

1 Slides (left/right)			
Pre-zinc Steel (F02)			
NL	Soft close Item No.	Push-open Item No.	Set/ctn
250mm	G10250H	G02250	10
270mm	G10270H	G02270	10
300mm	G10300H	G02300	10
350mm	G10350H	G02350	10
400mm	G10400H	G02400	10
450mm	G10450H	G02450	10
500mm	G10500H	G02500	10
550mm	G10550H	G02550	10
600mm	G10600H	G02600	10

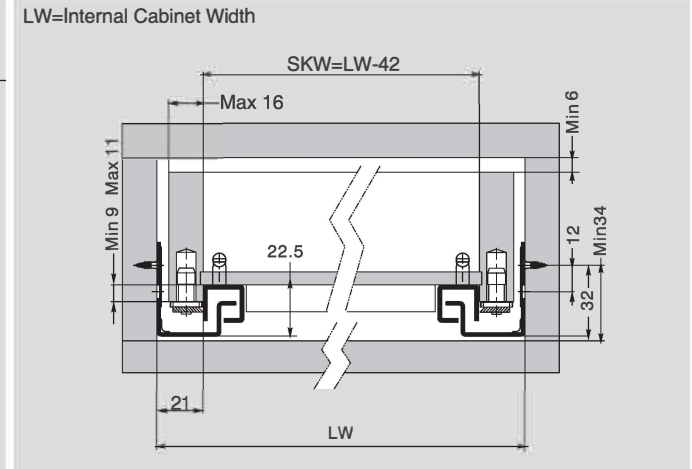
2 Locking Pin	
Grey(H11)	Item No.
	GJS02



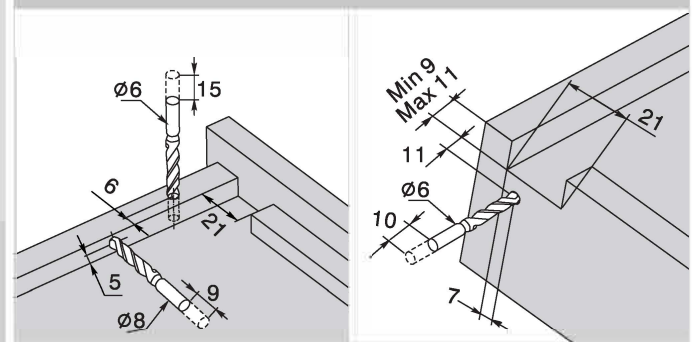
Screw Positions of the Slides(mm)



Installation Dimensions(mm)



Drawer Preparation(mm)



Soft close drawer

NL (mm)	A (mm)	B (mm)
250	220	188
270	230	198
300	245	213
350	270	238
400	305	273
450	330	298
500	355	323
550	390	358
600	415	383

Push-open drawer

NL (mm)	B (mm)	A (mm)	C (mm)
250	240	221	189
270	260	241	209
300	290	271	239
350	340	321	289
400	390	371	339
450	440	421	389
500	490	471	439
550	540	521	489
600	590	571	539