

PRODUKTDATENBLATT

FREEflap

Lifter fitting for connecting front panels without hinges

- Multiposition stop and stepless spring force setting
- ClickFixx und 3D adjustment of the front
- Positioning tabs
- Premounted Euro screws



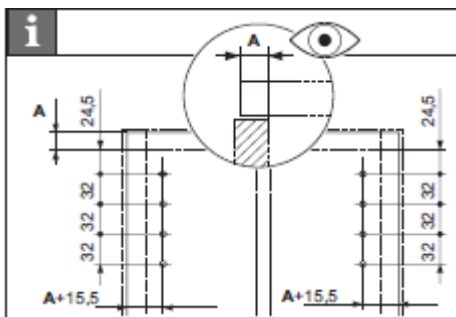
Cabinet type		WALL UNITS/HIGHBOARDS/LIFTERS		
Fitting type		Flap lifter fitting		
Application area		FREEflap mini	FREEflap forte	
(Carcase dimensions mm)	Front width	up to 1200	up to 1200	
	Front height	200-450	350-650	
	Depth	see Required depth		
	Front thickness	up to 28	up to 28	
	Front panel weight	Depends on height	max. -15 kg	max. -27 kg
Installation dimensions				
(Carcase dimensions mm)	Required height	167	184	
	Required depth	107	130	
	Front opening angle	90°	see Accessories	x
		107°		x
Movement system				
	Type	Kinematics: 4 pivot points		x
	Drive/power pack	Coiled compression spring	3 variants	4 variants
Design variants				
	Colours/finishes	Dress cap	Grey	Grey
		In planning	White	White
		Lift arm	Nickel plated	Nickel plated
Assembly/processing				
(in mm)	ClickFixx	Front connection	x	
	Drilling pattern	System 32 for carcase	x	
		System 32 for carcase	x	
	Setting spring force	Vernier scale	x	
	3D adjustment	Height	+/- 1.5	
		Width	+/- 1.5	
		Tilt	+/- 1.5	
	With positioning tabs		x	
	With premounted screws	Euro screws	x	
Comfort features				
	SoftStopp		x	
	Multiposition stop		x	
	eTouch		Q3 2014	
Weight				
(in kg)	Fitting	Incl. front adapter	643	928
Materials				
	fitting	Steel	x	
	Dress cap	Plastic	x	

PRODUKTDATENBLATT

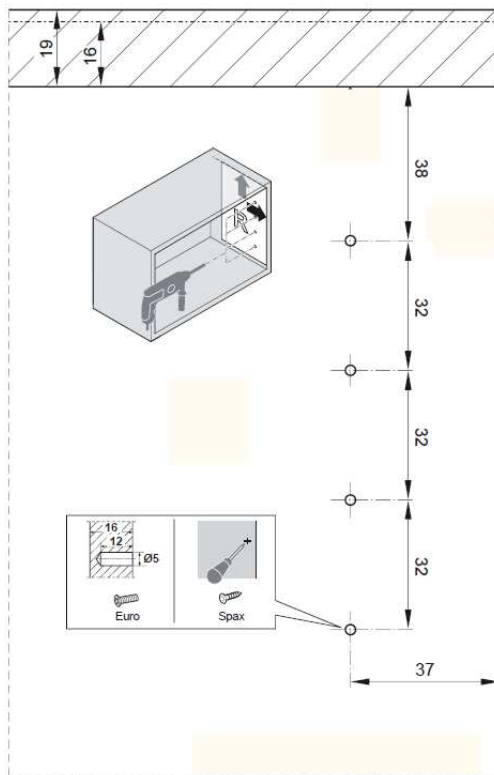
FREEflap

Accessories				
Opening angle limiter	90°		x	-
Adapter	20x20 aluminium frames		x	
Push-to-open	available			Q3 2013
Packaging units				
Single components	1 item		x	x
Multipack	Pack of 5			Under discussion
	Pack of 10			x
Quality certificate				
LGA				x
Dates				
Product release				January 2013

Drilling pattern front FREEflap mini & forte:



Drilling pattern carcass FREEflap mini:



Drilling pattern carcass FREEflap forte:

