

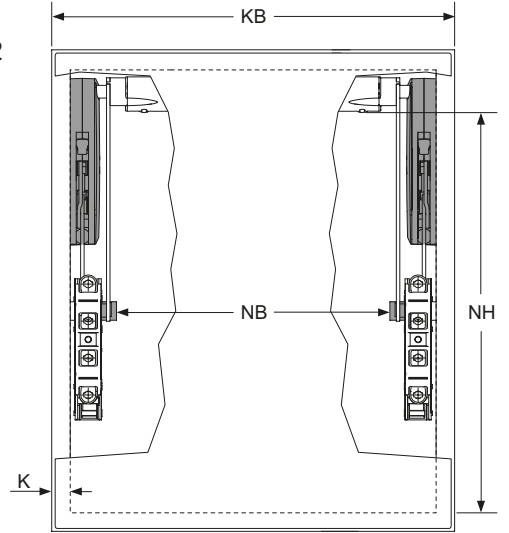
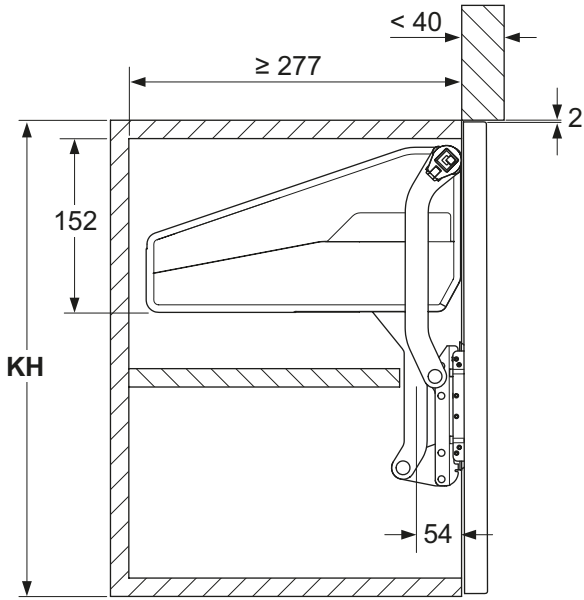
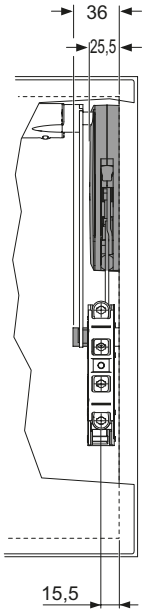
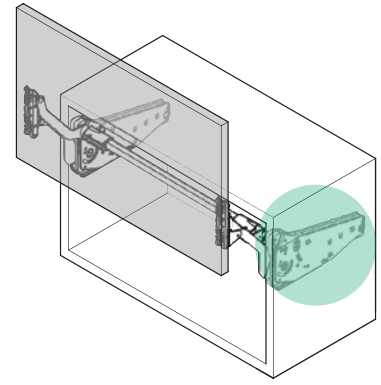
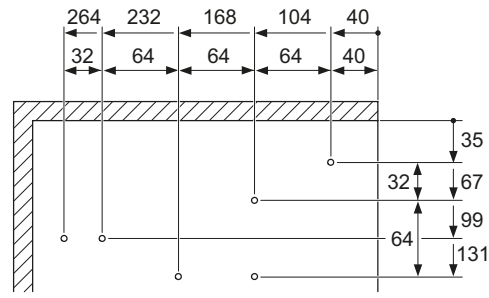


# FREEslide

SOLUTION-ORIENTED  
MULTITALENT

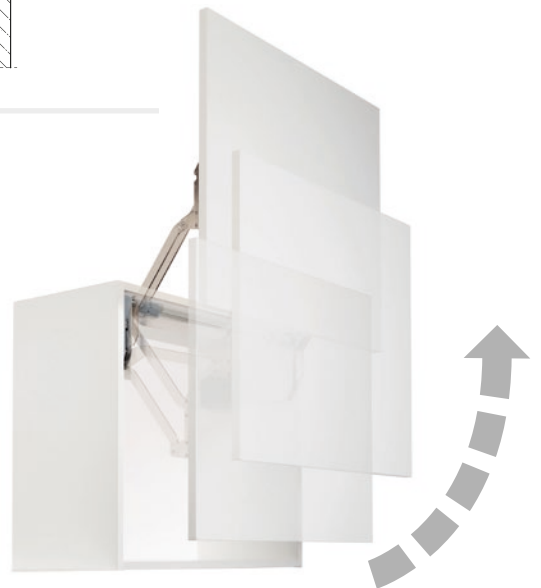
 KESSEBÖHMER

Fig.: Dimensions in mm



KH	X
320 - 360	157
345 - 420	185
380 - 500	220
430 - 600	265

Dimensions shown:  $X + A1$ , 32, 32, 32,  $15,5 + A2$ ,  $A1/A2$ , 12,  $\varnothing 5$ .






### FREEslide fitting set

nickel-plated

#### A set consists of:

- 2 FREEslide fittings (right and left)
- 2 front connecting plates
- 2 sleeves
- Drilling template (paper)
- (PTO: 1 PTO ejector 272072 included)

Carcase height mm	Clear inside height mm	Front weight* kg	Standard typologies	Product code	PTO typologies	 Product code	Usable inside height (NH)	Usable inside width (NB)
320-360	≥280	3,0 - 5,7	O1us	<b>271901</b>	O1us pto	***	ca. 240-280 mm	<b>KB - 2xK - 2x36</b>
		4,8 - 9,3	O2us	<b>271902</b>	O2us pto	***		
		8,7 - 16,5	O3us	<b>271903</b>	O3us pto	***		
345-420	≥308	2,4 - 4,8	P1us	<b>271904</b>	P1us pto	<b>272135</b>	ca. 265-340 mm	<b>KB - 2xK - 2x36</b>
		4,1 - 8,0	P2us	<b>271905</b>	P2us pto	<b>272136</b>		
		7,4 - 14,0	P3us	<b>271906</b>	P3us pto	<b>272137</b>		
		11,0 - 19,6	P4us	<b>271907</b>	P4us pto	<b>272138</b>		
380-500	≥343	2,0 - 3,8	Q1us	<b>271908</b>	Q1us pto	<b>272139</b>	ca. 300-420 mm	<b>KB - 2xK - 2x36</b>
		3,4 - 6,7	Q2us	<b>271909</b>	Q2us pto	<b>272140</b>		
		6,3 - 11,8	Q3us	<b>271910</b>	Q3us pto	<b>272141</b>		
		9,3 - 17,4	Q4us	<b>271911</b>	Q4us pto	<b>272142</b>		
430-600	≥388	1,6 - 3,3	R1us	<b>271912</b>	R1us pto	<b>272143</b>	ca. 350-520 mm	<b>KB - 2xK - 2x36</b>
		2,6 - 5,5	R2us	<b>271913</b>	R2us pto	<b>272144</b>		
		5,0 - 9,7	R3us	<b>271914</b>	R3us pto	<b>272145</b>		
		7,4 - 14,6	R4us	<b>271915</b>	R4us pto	<b>272146</b>		

\*Front weight incl. handle

\*\*\*on request

#### Set of dress covers (right and left)

Grey  
Ice white  
Anthrazite

#### Product code

**271810 7035**  
**271810 9966**  
**271810 7500**



#### Adapter

for 20 mm aluminium frame fronts  
nickel-plated

#### 271687 0006



#### Connecting rod anodised aluminium

Carcase width mm	Carcase wall mm	Length mm	Product code
450	16/19	324	<b>271916 0038</b>
500	16/19	374	<b>271917 0038</b>
600	16/19	474	<b>271918 0038</b>
800	16/19	674	<b>271919 0038</b>
900	16/19	774	<b>271920 0038</b>

Carcase width mm	Carcase wall mm	Length mm	Product code
1.000	16/19	874	<b>271921 0038</b>
1.200	16/19	1.074	<b>271922 0038</b>
1.600	16/19	1.470	<b>271854 0038</b>
1.800	16/19	1.674	<b>271941 0038</b>
<b>KB</b>	16/19	<b>KB-(2 x K)-88</b>	



#### Drilling template FREEslide

Grey

#### 271989 7040



