

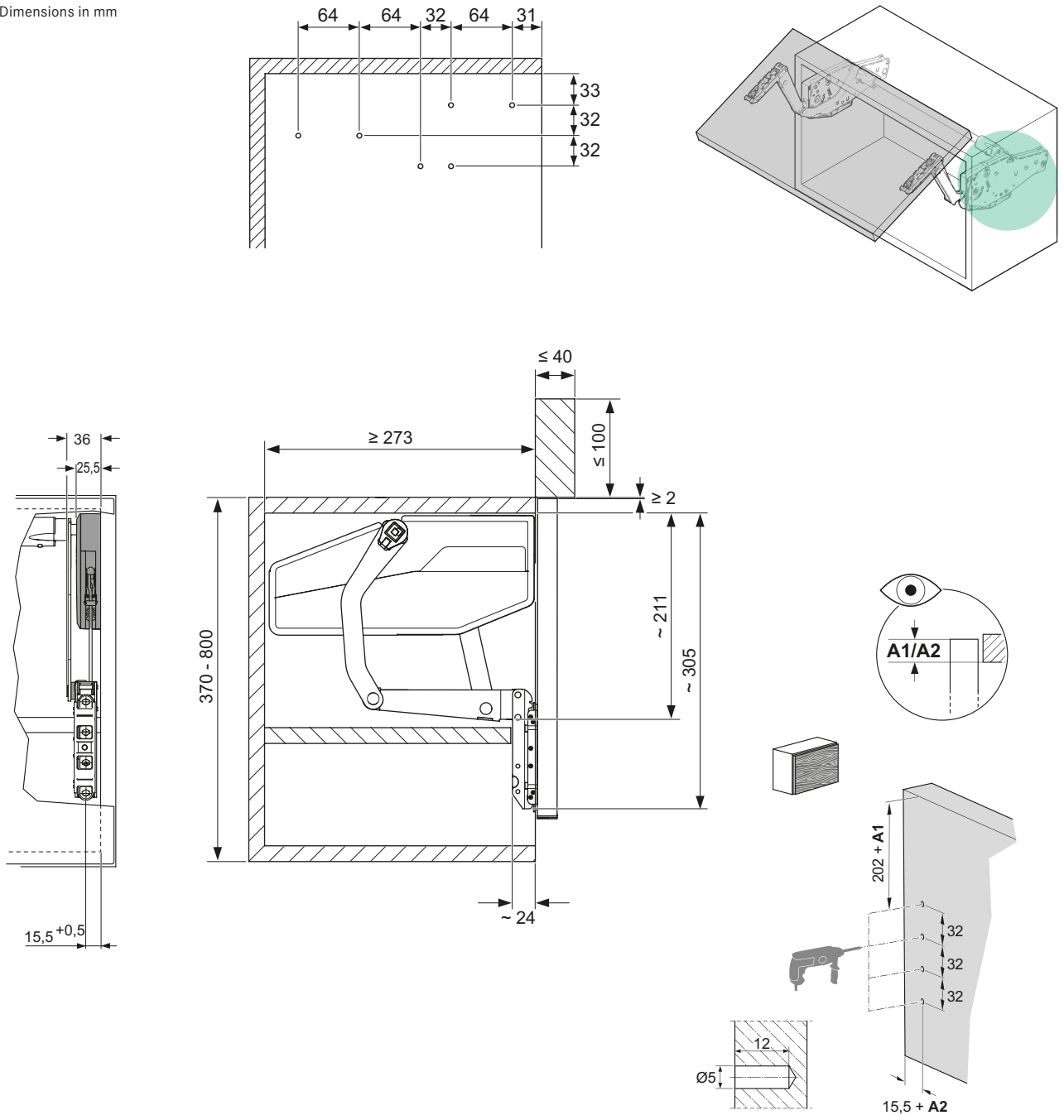


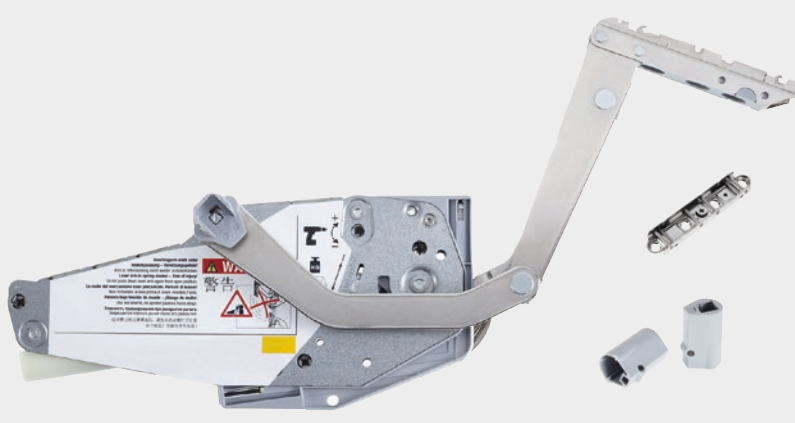
FREEswing

IDEAL FOR MEDIUM AND LARGE FRONTS

 KESSEBÖHMER

Fig.: Dimensions in mm





FREEswing fitting set

nickel-plated

A set consists of:

2 FREEswing fittings (right and left)

2 front connecting plates

2 sleeves

Drilling template (paper)

(PTO: 1 PTO ejector 272072 included)

Carcase height mm	Front weight* kg	Standard typologies Product code	PTO typologies Product code
370	1,8 - 4,0	S1sw 271923	S1sw pto 272126
	3,4 - 6,5	S4sw 271926	S4sw pto 272129
	5,2 - 10,3	S7sw 271929	S7sw pto 272132
400	1,8 - 3,9	S1sw 271923	S1sw pto 272126
	3,3 - 6,3	S4sw 271926	S4sw pto 272129
	5,0 - 10,0	S7sw 271929	S7sw pto 272132
450	1,8 - 3,7	S1sw 271923	S1sw pto 272126
	3,2 - 6,1	S4sw 271926	S4sw pto 272129
	4,8 - 9,4	S7sw 271929	S7sw pto 272132
500	1,9 - 3,5	S1sw 271923	S1sw pto 272126
	3,0 - 5,8	S4sw 271926	S4sw pto 272129
	4,5 - 8,9	S7sw 271929	S7sw pto 272132
500	2,5 - 5,9	S2sw 271924	S2sw pto 272127
	5,0 - 10,0	S5sw 271927	S5sw pto 272130
	8,2 - 15,9	S8sw 271930	S8sw pto 272133
550	2,5 - 5,6	S2sw 271924	S2sw pto 272127
	4,8 - 9,6	S5sw 271927	S5sw pto 272130
	7,8 - 15,2	S8sw 271930	S8sw pto 272133

*Front weight incl. handle

***on request

Carcase height mm	Front weight* kg	Standard typologies Product code	PTO typologies Product code
600	2,5 - 5,3	S2sw 271924	S2sw pto 272127
	4,7 - 9,3	S5sw 271927	S5sw pto 272130
	7,5 - 14,5	S8sw 271930	S8sw pto 272133
670	2,5 - 4,8	S2sw 271924	S2sw pto 272127
	4,5 - 8,8	S5sw 271927	S5sw pto 272130
	7,0 - 13,5	S8sw 271930	S8sw pto 272133
670	3,2 - 6,5	S3sw 271925	S3sw pto 272128
	5,7 - 11,3	S6sw 271928	S6sw pto 272131
	8,5 - 17,1	S9sw 271931	S9sw pto 272134
700	3,1 - 6,3	S3sw 271925	S3sw pto 272128
	5,6 - 11,1	S6sw 271928	S6sw pto 272131
	8,4 - 16,7	S9sw 271931	S9sw pto 272134
750	3,0 - 6,0	S3sw 271925	S3sw pto 272128
	5,4 - 10,7	S6sw 271928	S6sw pto 272131
	8,2 - 16,0	S9sw 271931	S9sw pto 272134
800	2,9 - 5,7	S3sw 271925	S3sw pto 272128
	5,3 - 10,3	S6sw 271928	S6sw pto 272131
	8,0 - 15,3	S9sw 271931	S9sw pto 272134

Set of dress covers

(right and left)

Grey
Ice white
Anthrazite

Product code

271820 7035
271820 9966
271820 7500



Adapter

for 20 mm aluminium frame fronts
nickel-plated

271687 0006



Connecting rod anodised aluminium

Carcase width mm	Carcase wall mm	Length mm	Product code	Carcase width mm	Carcase wall mm	Length mm	Product code
450	16/19	324	271916 0038	1.000	16/19	874	271921 0038
500	16/19	374	271917 0038	1.200	16/19	1.074	271922 0038
600	16/19	474	271918 0038	1.600	16/19	1.470	271854 0038
800	16/19	674	271919 0038	1.800	16/19	1.674	271941 0038
900	16/19	774	271920 0038	KB	16/19	KB-(2 x K)-88	



Drilling template FREEswing

Grey

271988 7040



