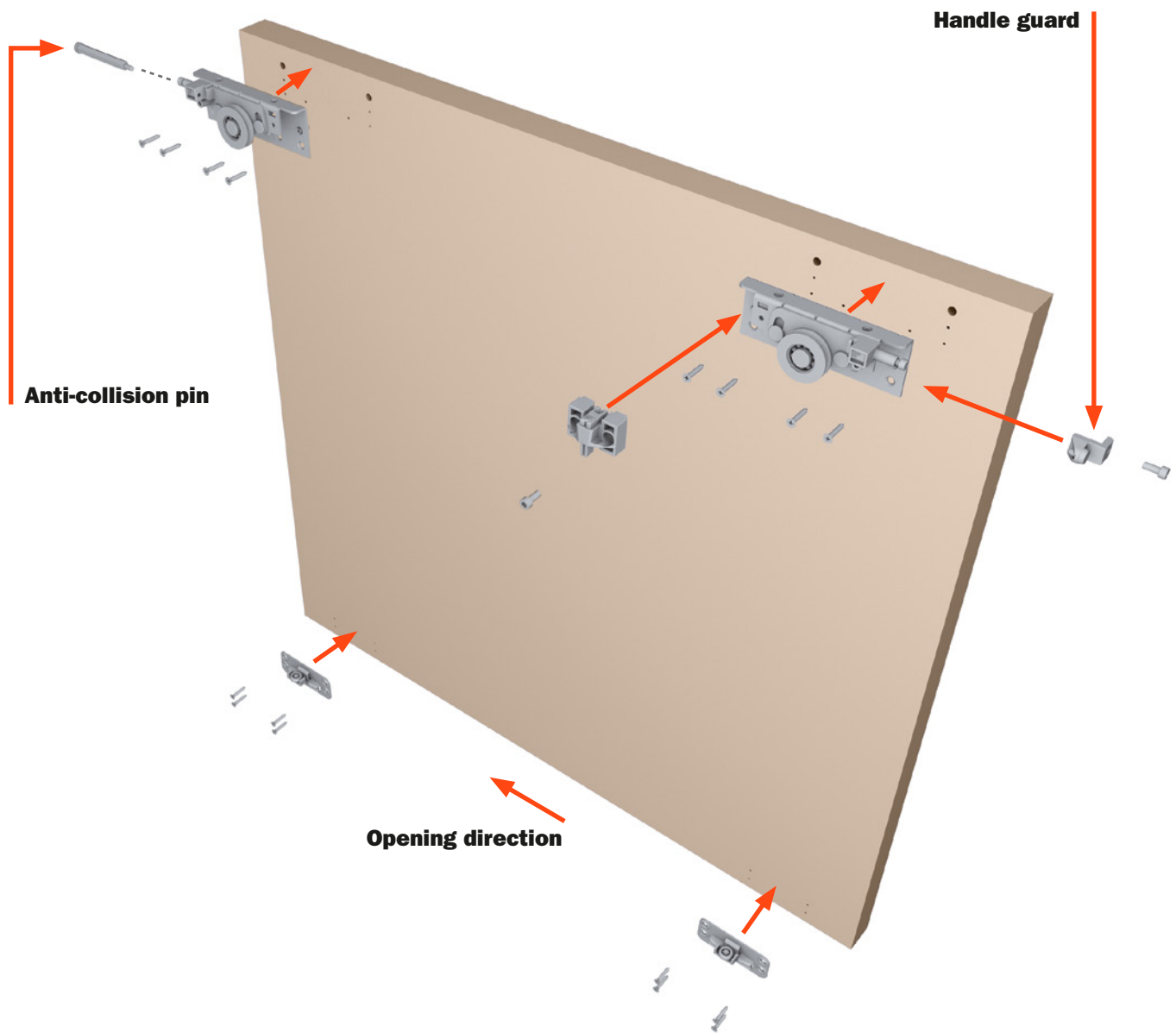
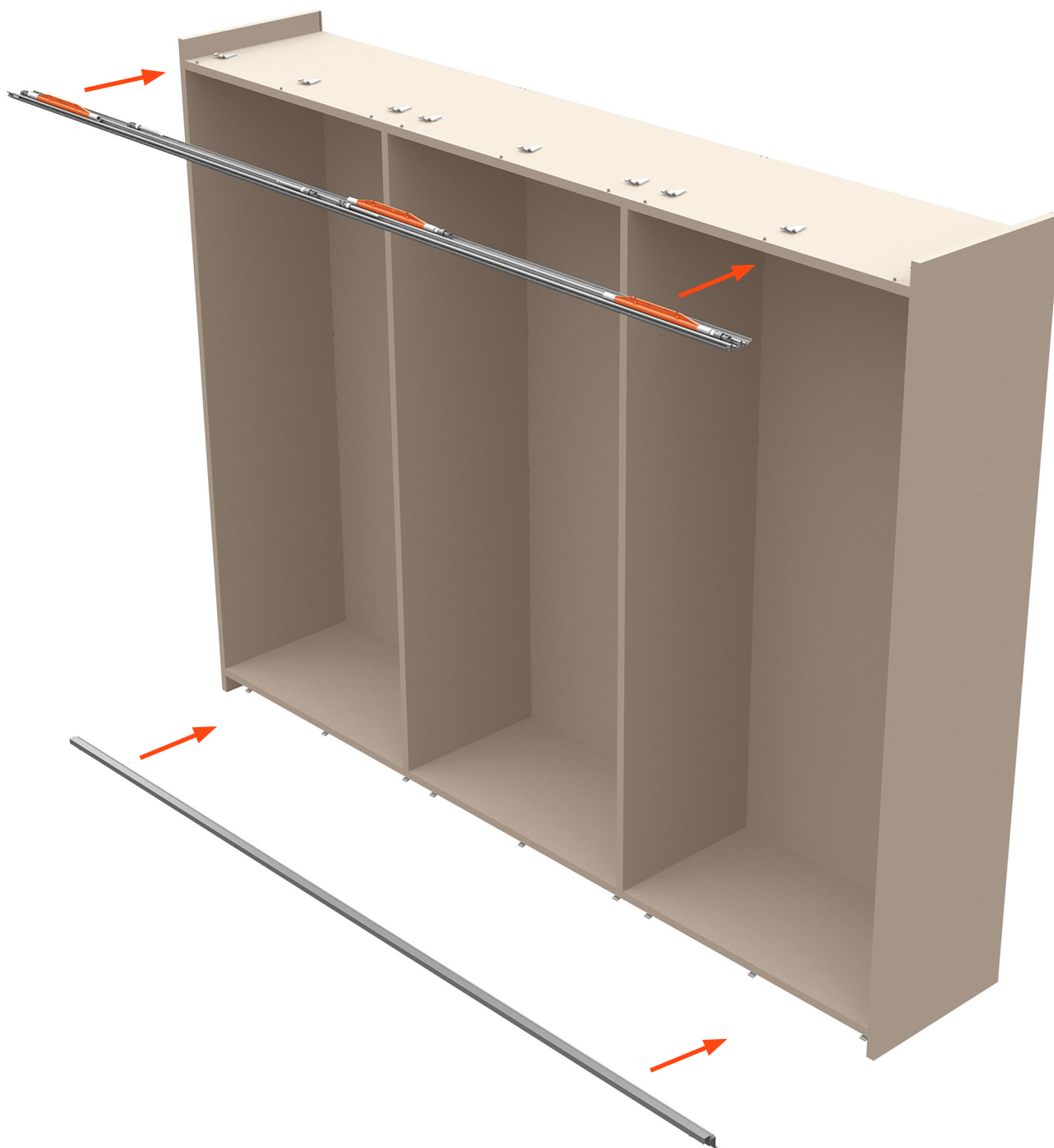


INTERNAL DOORS





PATENTS

Patent filed with the Ministry of Productive Activities - Italian Patent and Trademark Office (U.I.B.M.).