

**Slider M50 Flex - Slider L70 Flex**  
***SALICE***



# Slider M50 Flex





## Slider M50 Flex



**Slider M50 Flex** is the coplanar system for doors weighing up to 50 kg which is designed to be cut to length. Thanks to the exclusive patented design of the Slider series, door movement and cushioned opening and closing are intuitive, smooth and silent. **Slider M50 Flex** also offers extreme flexibility: the length of mechanism can be adjusted to fit any cabinet by simply cutting the track as required.

**Slider M50 Flex** is the new addition to the coplanar range and, with just a small range of components, it confers the freedom to tailor the mechanism to suit any piece of furniture to perfection.





## Technical information

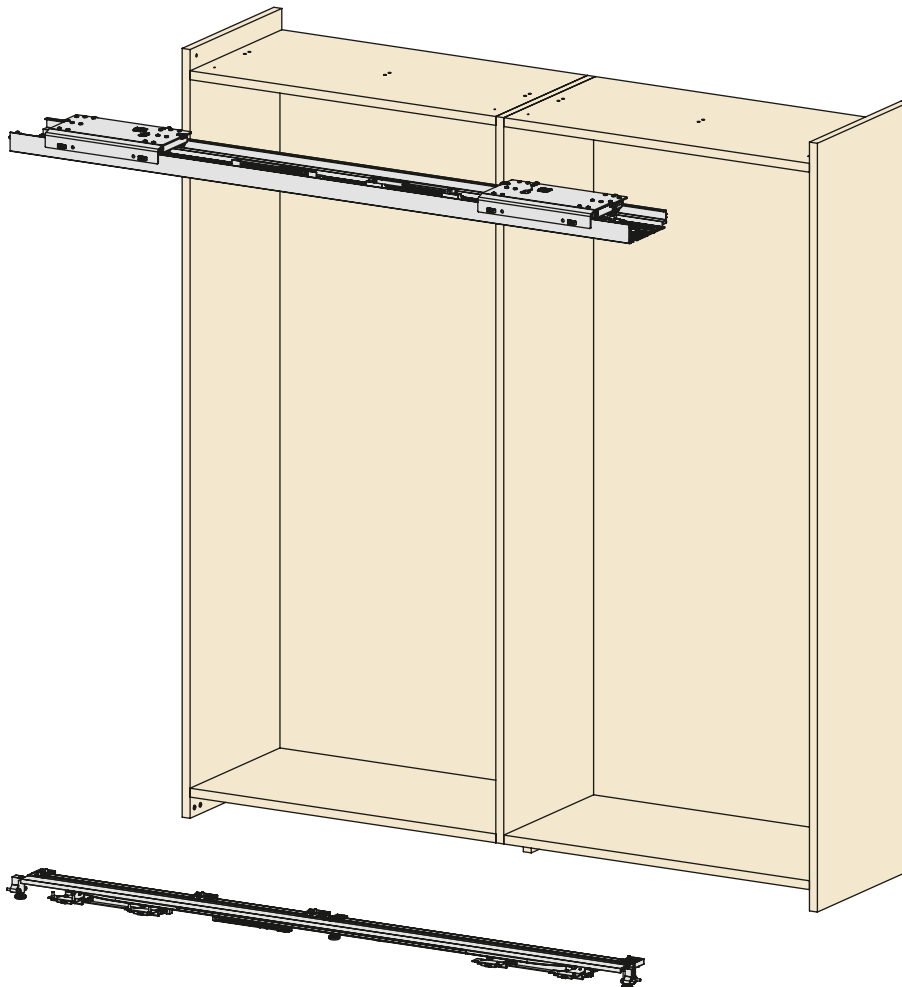
Coplanar two-door cushioned sliding system with customisable track length  
- capacity 50 kg per door.

### Door dimensions:

- Maximum weight for each door 50 kg (evenly distributed).
- Width: - minimum 800 mm;  
- maximum 1600 mm.
- Height: - maximum 2700 mm.
- Thickness: - minimum 18 mm;  
- maximum with handle 40 mm.
- Height from the ground: - 33 mm.
- Material: a) wood or derived material;  
b) glass with metal frame.

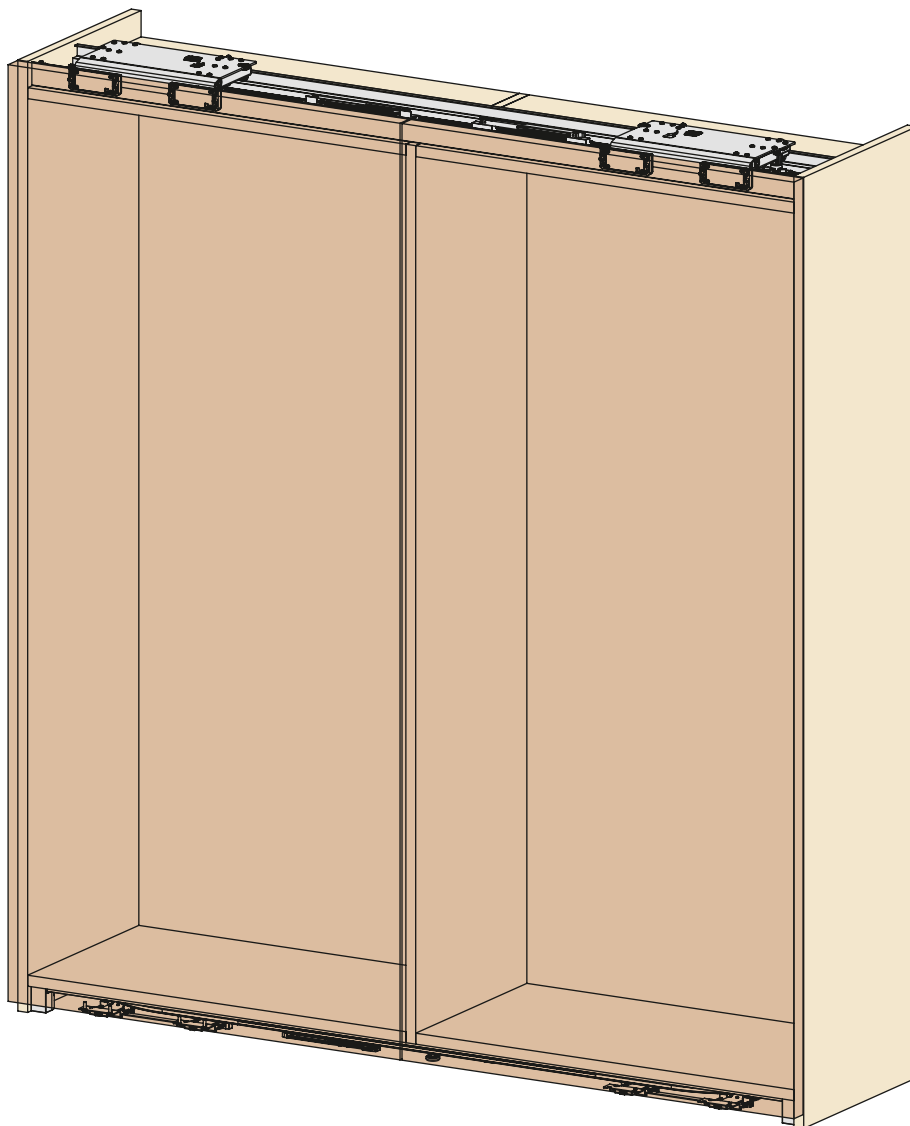
### Door adjustment:

- vertical  $\pm 5$  mm
- horizontal  $\pm 3,5$  mm
- front: - upper  $\pm 3$  mm  
- lower  $\pm 3$  mm

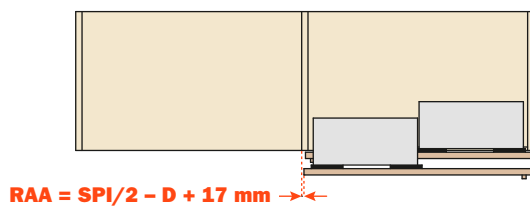
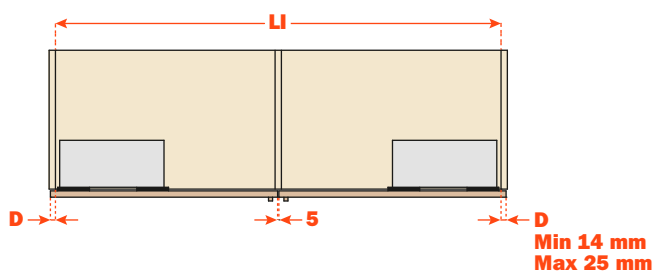
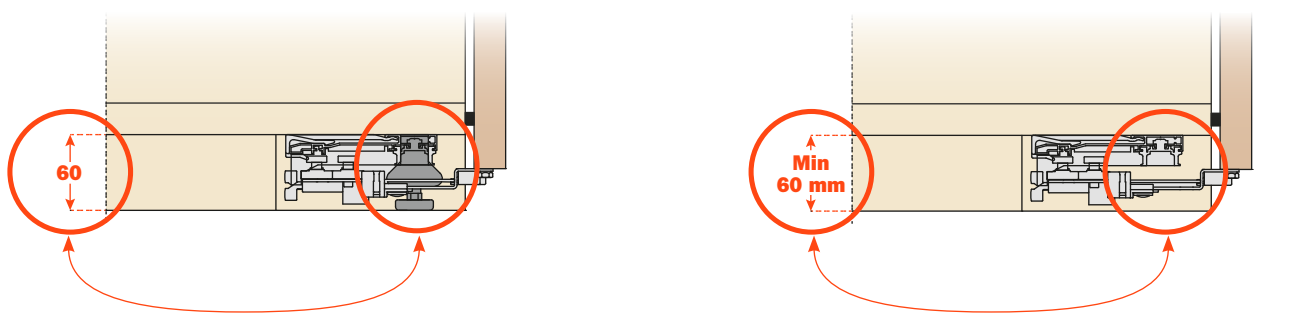
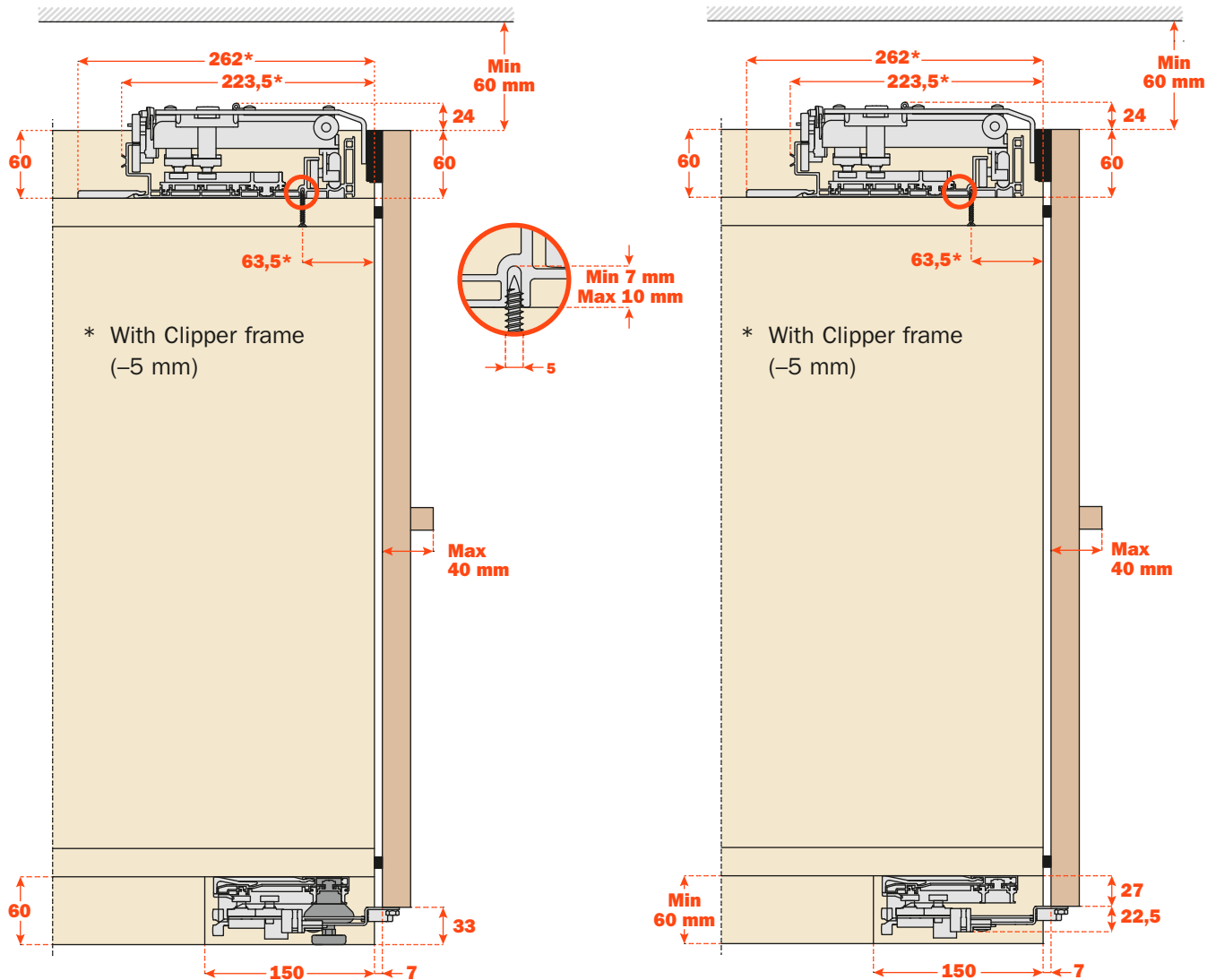


## Key feature

- Very easy to assemble.
- Extremely easy to personalise the track length.
- Super-smooth cushioned opening and closing
- High reliability, tested to 100,000 cycles.



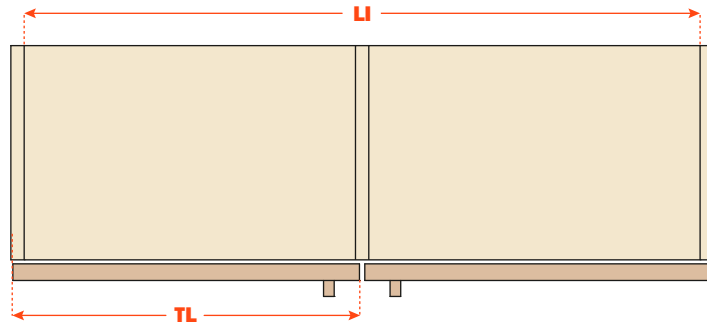
# Slider M50 Flex - Types of assembly



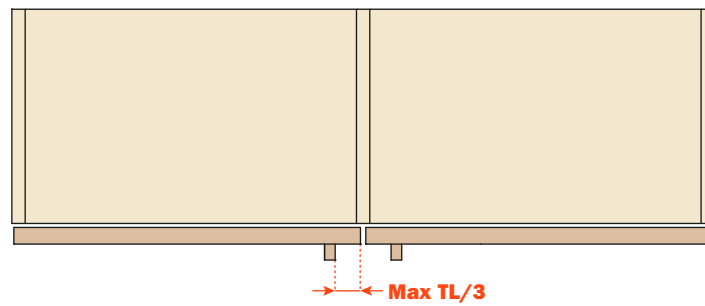


## How to order

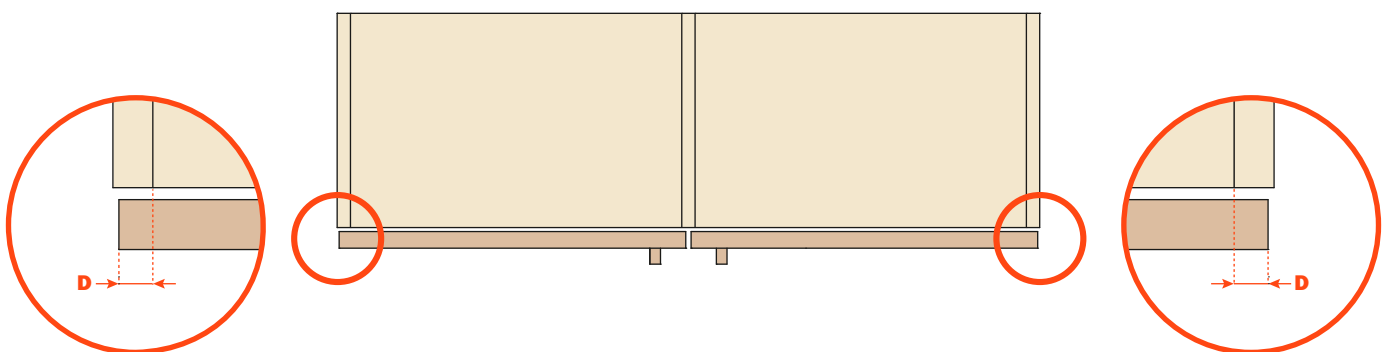
Slider M50 Flex is a flexible system that can be adapted to the internal width of the unit (**LI**) with a minimum of 1531 mm to a maximum of 3200 mm.



The handle should be placed close to the leading edge of the door, or at a maximum distance of one third of its width (**TL**).

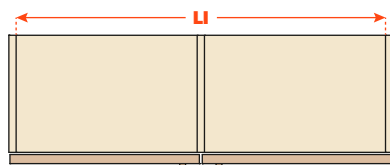


The minimum permitted overlap (**D**) is 14 mm; maximum 25 mm.



## Slider M50 Flex - How to order

A solution for a whole range of applications that requires the customer to measure and cut aluminium and PVC profiles and to assemble the mechanism. Depending on the internal width of the unit (**LI**), the mechanism is put together using a carriage kit **1** and a profile kit **2**.



		LI (mm)			
		1531÷1930	1931÷2330	2331÷2730	2731÷3200
<b>1</b>	VE51KIT0101	●			
	VE51KIT0102		●		
	VE51KIT0103			●	
	VE51KIT0104				●
<b>2</b>	VE51KIT0201	●	●		
	VE51KIT0202			●	●

		(kg)	(m <sup>3</sup> )	(mm)
		<b>1</b>	VE51KIT0101	12,7
VE51KIT0102	14,4		0,06	600 x 400 x 250
VE51KIT0103	16,0		0,07	700 x 400 x 250
VE51KIT0104	17,7		0,08	800 x 400 x 250
<b>2</b>	VE51KIT0201	12,0	0,062	2400 x 260 x 100
	VE51KIT0202	16,0	0,085	3250 x 260 x 100

# Slider L70 Flex





## Slider L70 Flex



**Slider L70 Flex** is the coplanar system for cabinets with doors weighing up to 70 kg designed to be cut to measure.

Thanks to the exclusive patented design of the Slider series, door movement and cushioned opening and closing are intuitive, smooth and silent.

**Slider L70 Flex** also offers extreme flexibility: the length of mechanism can be adjusted to fit any cabinet by simply cutting the track as required.

**Slider L70 Flex** is the new addition to the coplanar range and, with just a small range of components, it confers the freedom to tailor the mechanism to suit any piece of furniture to perfection.





## Technical information

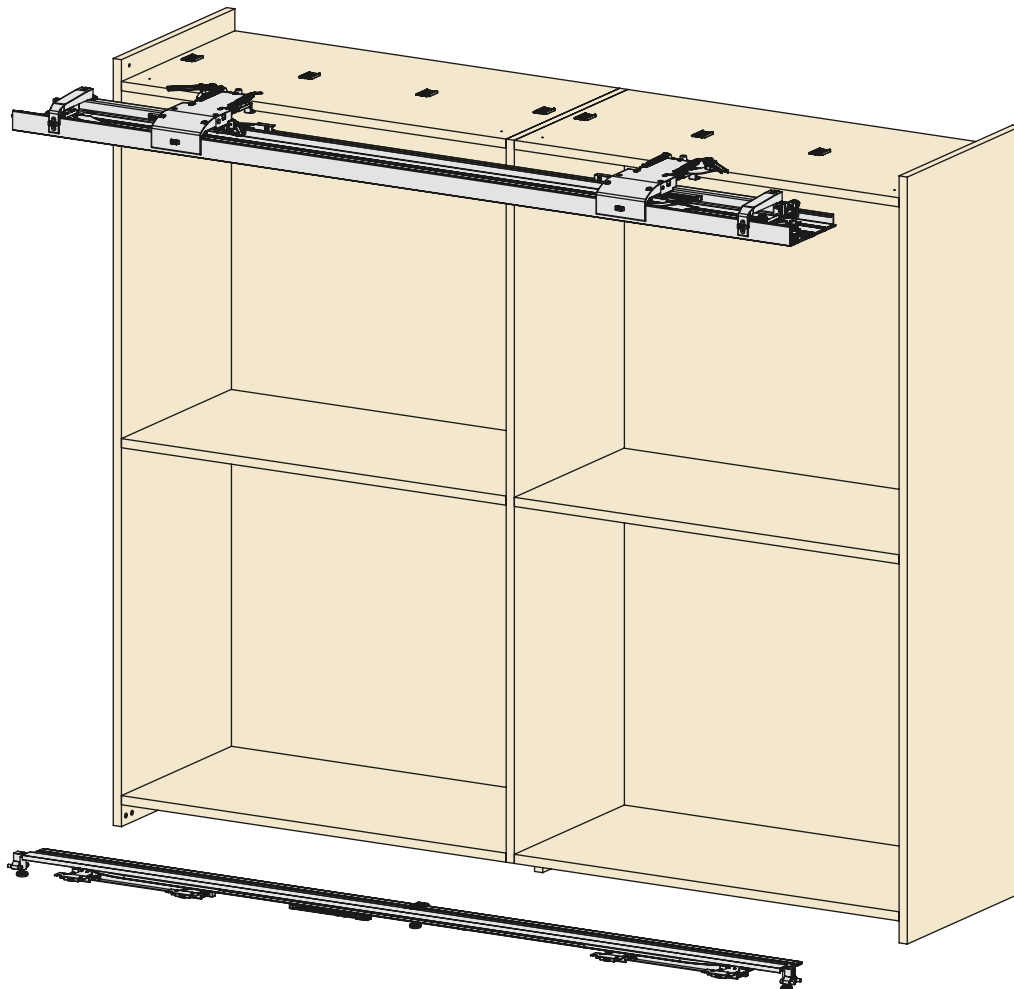
Coplanar two-door cushioned sliding system with customisable track length  
- capacity 70 kg per door.

### Door dimensions:

- Maximum weight for each door 70 kg (evenly distributed).
- Width: - minimum 900 mm;  
- maximum 1700 mm.
- Height: - maximum 2700 mm.
- Thickness: - minimum 18 mm;  
- maximum 35 mm;  
- maximum with handle 45 mm.
- Height from the ground: - 33 mm.
- Material: a) wood or derived material;  
b) glass with metal frame.

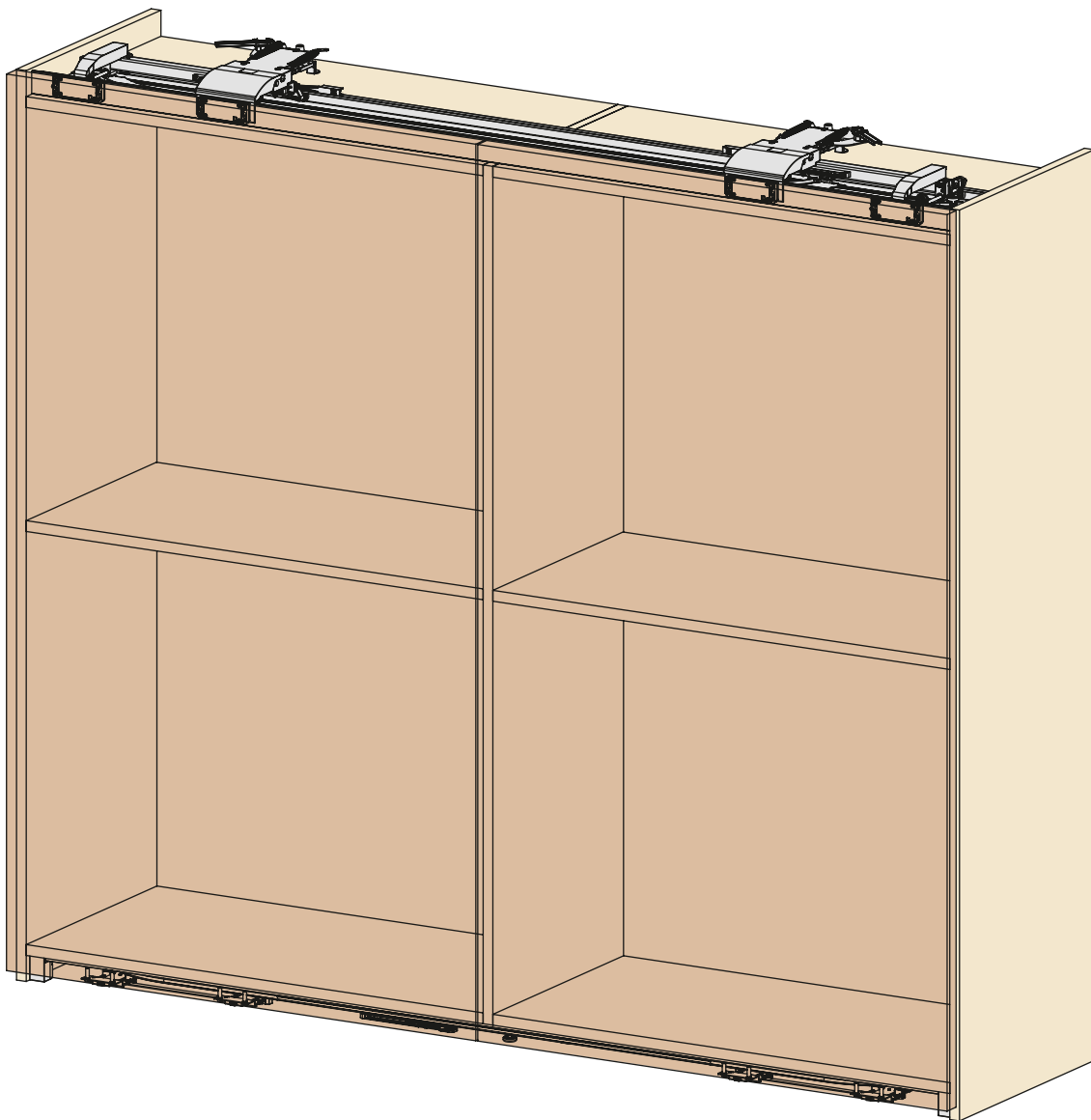
### Door adjustment:

- vertical  $\pm 5$  mm
- horizontal  $\pm 3,5$  mm
- front: - upper  $\pm 4$  mm  
- lower  $\pm 3$  mm

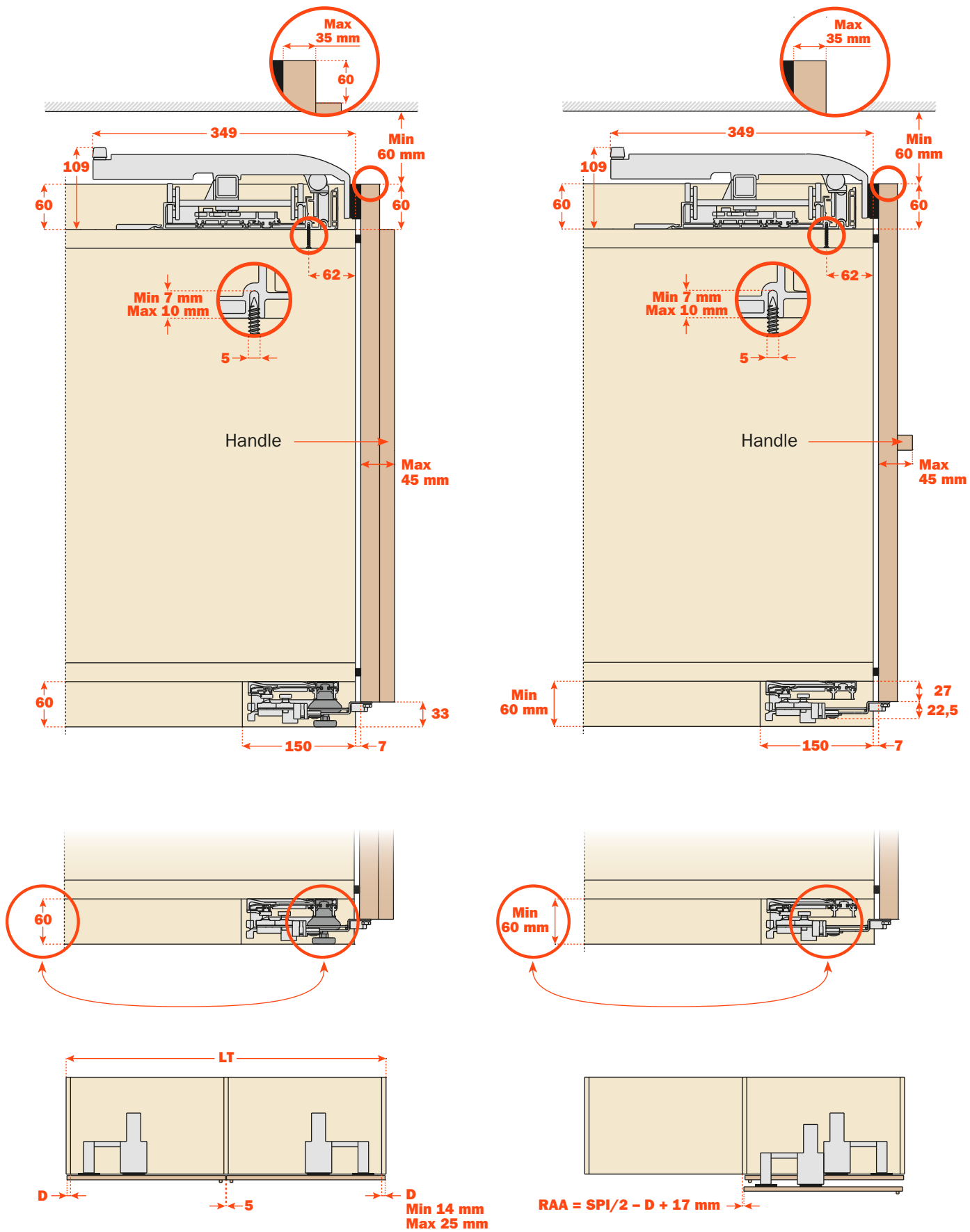


## Key feature

- Very easy to assemble.
- Extremely easy to personalise the track length.
- Super-smooth cushioned opening and closing
- High reliability, tested to 100,000 cycles.



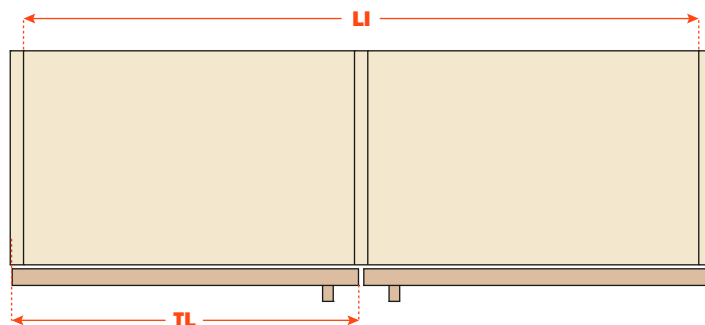
# Slider L70 Flex - Types of assembly



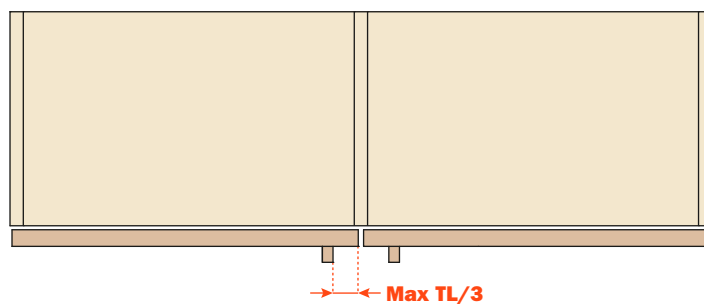


## How to order

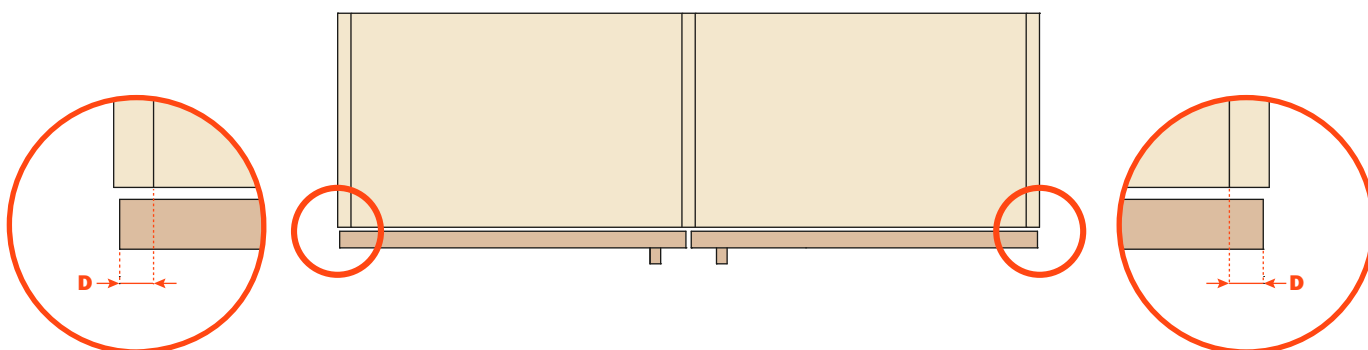
Slider L70 Flex is a flexible system that can be adapted to the internal width of the unit (**LI**) with a minimum of 1731 mm to a maximum of 3400 mm.



The handle should be placed close to the leading edge of the door, or at a maximum distance of one third of its width (**TL**).

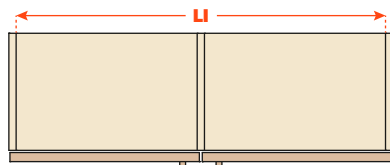


The minimum permitted overlap (**D**) is 14 mm; maximum 25 mm.



## Slider L70 Flex - How to order

A solution for a whole range of applications that requires the customer to measure and cut aluminium and PVC profiles and to assemble the mechanism. Depending on the internal width of the unit (**LI**), the mechanism is put together using a carriage kit **1** and a profile kit **2**.



		LI (mm)			
		1731÷2130	2131÷2530	2531÷2930	2931÷3400
<b>1</b>	VE30KIT0101	●			
	VE30KIT0102		●		
	VE30KIT0103			●	
	VE30KIT0104				●
<b>2</b>	VE30KIT0201	●	●		
	VE30KIT0202			●	●

		(kg)	(m <sup>3</sup> )	(mm)
		<b>1</b>	VE30KIT0101	14,5
VE30KIT0102	15,5		0,102	850 X 400 X 300
VE30KIT0103	16,5		0,114	950 X 400 X 300
VE30KIT0104	17,5		0,126	1050 X 400 X 300
<b>2</b>	VE30KIT0201	15,0	0,078	2600 X 300 X 100
	VE30KIT0202	20,0	0,104	3450 X 300 X 100



**ARTURO SALICE S.p.A.**

VIA PROVINCIALE NOVEDRATESE, 10  
22060 NOVEDRATE (COMO) ITALIA  
TEL. 031 790424  
FAX 031 791508  
info.salice@salice.com  
www.salice.com

**BORTOLUZZI SISTEMI S.p.A.**

VIA CADUTI 14 SETTEMBRE 1944, 45  
32100 BELLUNO ITALIA  
TEL. 0437 930866  
FAX 0437 931442  
info@bortoluzzi.com  
www.bortoluzzi.com

**DEUTSCHE SALICE GMBH**

RUDOLF DIESEL STR. 10  
POSTFACH 1154  
74382 NECKARWESTHEIM  
TEL. 07233 9807-0  
FAX. 07233 9807-16  
info.salice@deutschesalice.de  
www.deutschesalice.de

**SALICE UK LTD.**

KINGFISHER WAY  
HINCHINGBROOKE BUSINESS PARK  
HUNTINGDON CAMBS PE 29 6FN  
TEL. 01480 413831  
FAX. 01480 451489  
info.salice@saliceuk.co.uk  
www.saliceuk.co.uk

**DEUTSCHE SALICE GMBH**

VERKAUFSBÜRO NORD  
RINGSTRASSE 36/A30 CENTER  
32584 LÖHNE  
TEL. 05731 15608-0  
FAX. 05731 15608-10  
vknord@deutschesalice.de  
www.deutschesalice.de

**SALICE AMERICA INC.**

2123 CROWN CENTRE DRIVE  
CHARLOTTE NC. 28227  
TEL. 704 8417810  
FAX. 704 8417808  
info.salice@saliceamerica.com  
www.saliceamerica.com

**SALICE FRANCE S.A.R.L.**

ROUTE DE GOA ZAC LES 3 MOULINS  
06600 ANTIBES  
TEL. 0493 330069  
FAX. 0493 330141  
info.salice@salicefrance.com  
www.salicefrance.com

**SALICE CANADA INC.**

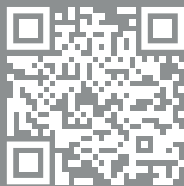
3500 RIDGEWAY DRIVE,  
UNIT#1  
MISSISSAUGA, ONTARIO, L5L 0B4  
TEL. 905 8208787  
FAX. 905 8207226  
info.salice@salicecanada.com  
www.salicecanada.com

**SALICE ESPAÑA, S.L.U.**

CALLE COPÉRNICO, 11  
POLÍGONO INDUSTRIAL  
COLL DE LA MANYA  
08403 GRANOLLERS (BARCELONA)  
TEL. 938 45 88 61  
FAX 938 49 11 97  
info.salice@saliceespana.es  
www.saliceespana.es

**SALICE CHINA  
(SHANGHAI) CO. LTD.**

1st FLOOR, B1 BLDG 928 MINGZHU ROAD  
XUJING, QINGPU DISTRICT  
SHANGHAI 201702 - CHINA  
Tel. 021 3988 9880  
Fax 021 3988 9882  
info.salice@salicechina.com  
www.salicechina.com

**Digital contents:**

- **Technical pamphlet in Pdf format**

**We reserve the right to change technical specifications without notice.**

DOCASS003ENG  
Ed. 01 - 03/2019

