

Slider S20



S20 is a coplanar system for kitchen cabinets and wall cabinets with doors weighing up to 20 kg. Thanks to the exclusive patented design of the Slider series, door movement and cushioned opening and closing are intuitive, smooth and silent. For some applications, **S20** can be provided with a customisable front cover and the Push system. The latter allows you to open the unit by simply pressing the door: this eliminates the handle leaving you greater design freedom.

Due to its features, **S20** is ideal for cabinets used in the living area, offices, kitchen and sleeping area.





Technical information

Coplanar two-door cushioned sliding system.
Capacity 20 kg per door.

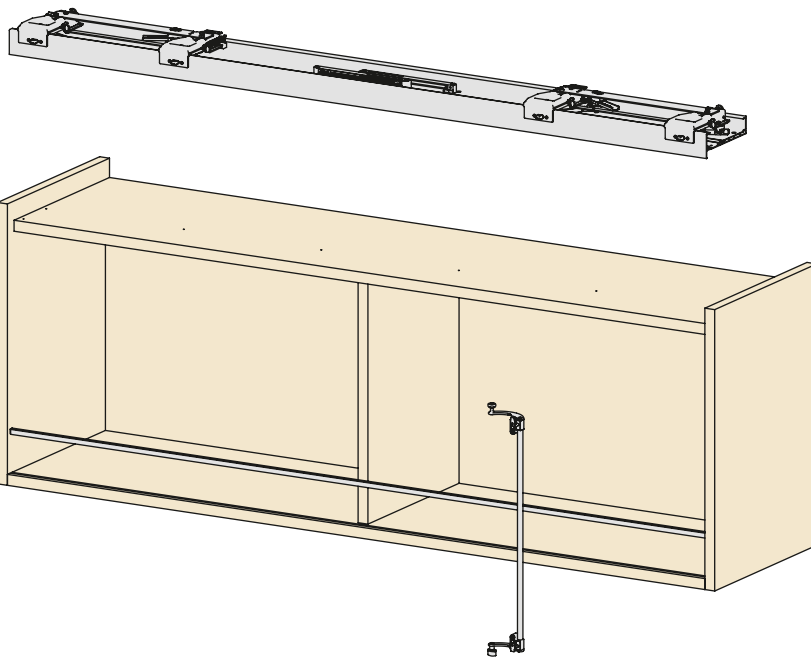
Individual door properties:

- max. weight per door 20 kg (evenly distributed)
- width:- min. 600 mm
- max. 1500 mm
- height:- max. 1200 mm
- thickness:- min. 18 mm
- max. with handle 45 mm
- material:a) wood or derived material
b) glass with metal frame

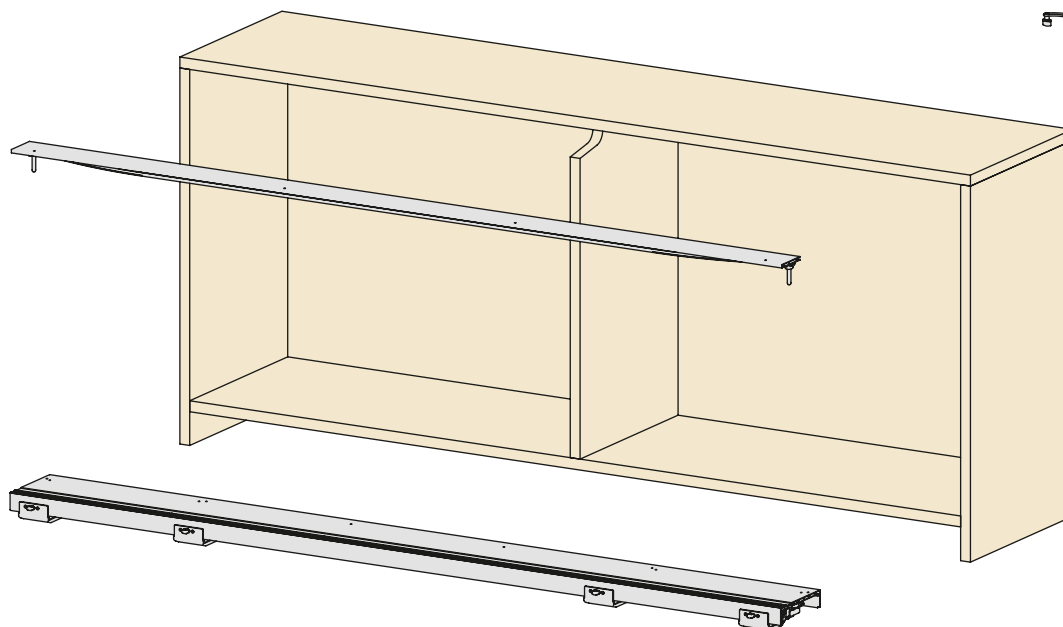
Door adjustment: • vertical adjustment ± 4.5 mm
• horizontal adjustment ± 3 mm

Door front adjustment: • wall cabinet ± 4 mm
• kitchen cabinet ± 2 mm

Wall cabinet



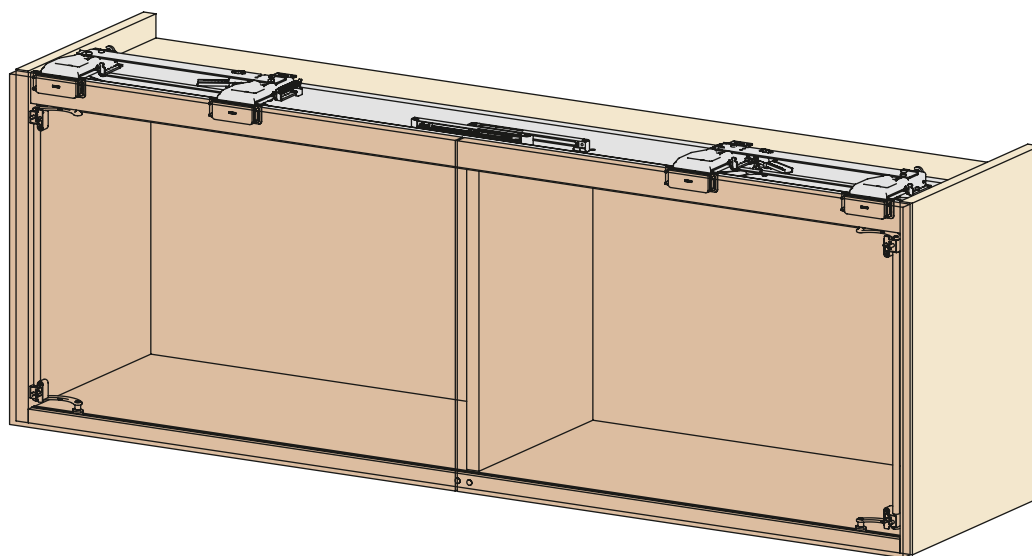
Kitchen cabinet



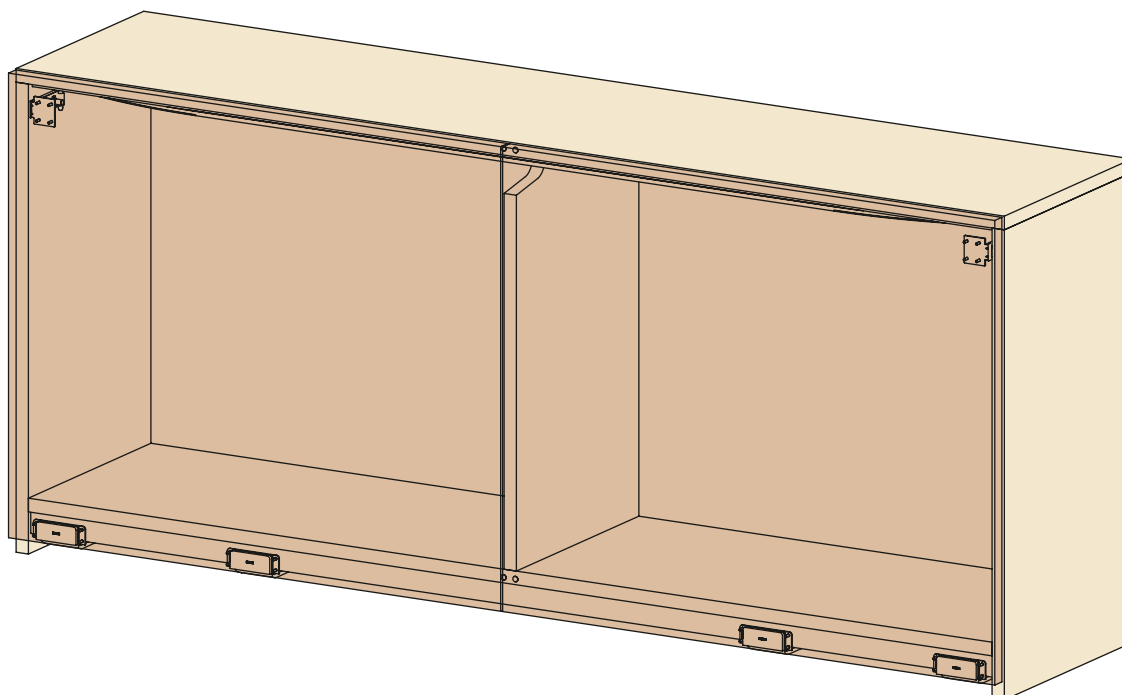
Key feature

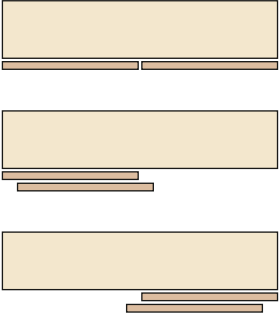

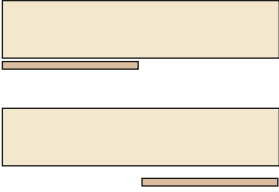

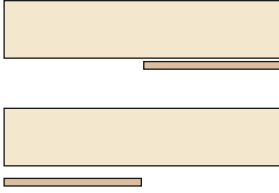

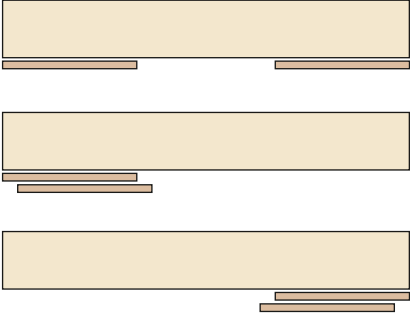

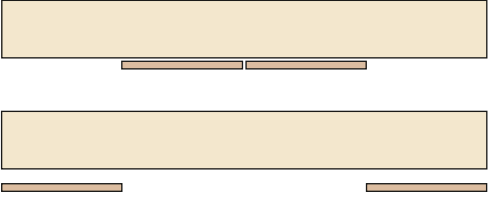

- Aluminium and PVC guide tracks for smooth, silent movement.
- Curves designed to fit the unit size.
- Pre-assembled mechanism for fast, safe assembly.
- Cushioned for opening and closing.
- Push opening mechanism (kitchen cabinets).
- Extremely tough and long-lasting, subjected to 100,000 cycles of the stress test.

Wall cabinet



Kitchen cabinet



<p>Standard</p>		<p>Slider S10 Slider S20</p>	 <p>Slider S20</p>
<p>One</p>		<p>Slider S10 Slider S20</p>	 <p>Slider S20</p>
<p>One</p>		<p>Slider S10 Slider S20</p>	 <p>Slider S20</p>
<p>Step</p>		<p>Slider S20</p>	 <p>Slider S20</p>
<p>Reverso</p>		<p>Slider S20</p>	 <p>Slider S20</p>