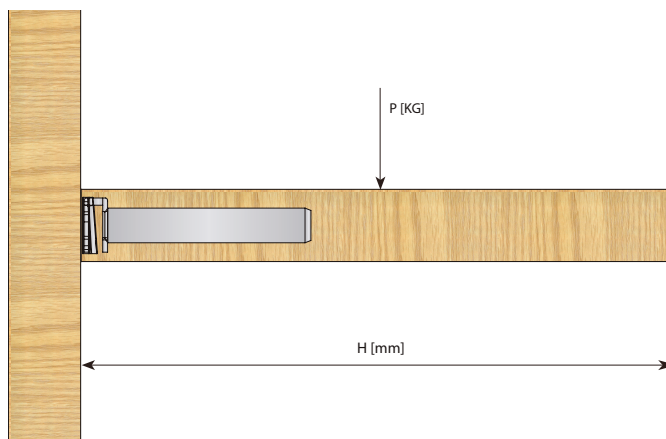


Maximum loads for TENTI shelf supports

The test levels that TENTI shelf supports meet are achieved with 2 supports for 900 mm. long shelves, and 1 extra support for each 450 mm. we increase the length.

Under these conditions, the following table shows the maximum loads that TENTI shelf supports can endure depending on the shelf depth:



Maximum loads for TENTI shelf supports

TENTI - 3	$P_{MAX} = \frac{3450}{H}$
TENTI - 4	$P_{MAX} = \frac{5750}{H}$
TENTI - 4C	$P_{MAX} = \frac{4600}{H}$
TENTI - 5	$P_{MAX} = \frac{5750}{H}$
TENTI - 6	$P_{MAX} = \frac{3450}{H}$
TENTI - 7	$P_{MAX} = \frac{6900}{H}$
TENTI - 8	$P_{MAX} = \frac{3450}{H}$
TENTI - 9	$P_{MAX} = \frac{6900}{H}$

TENTI-9

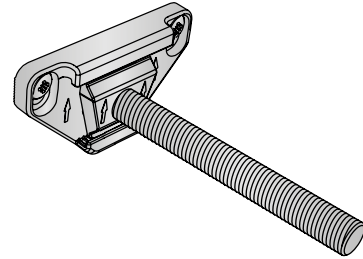
Shelf Support

Completely concealed shelf support. Capable of withstanding heavy loads. No cover cap is necessary. 3-way adjustment.

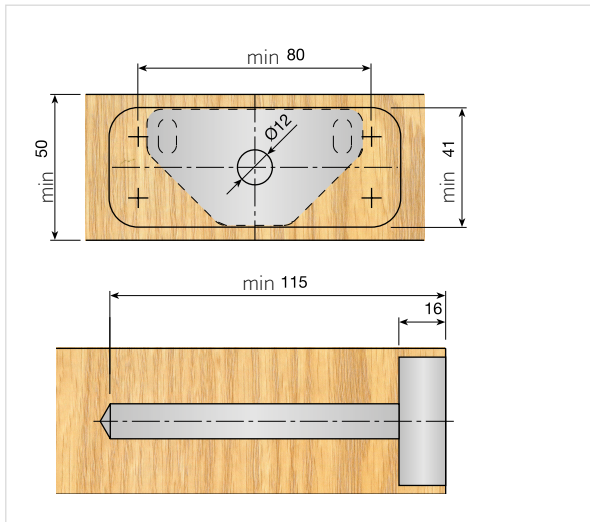
Shelf support

Natural	633.612.103	100
---------	-------------	-----

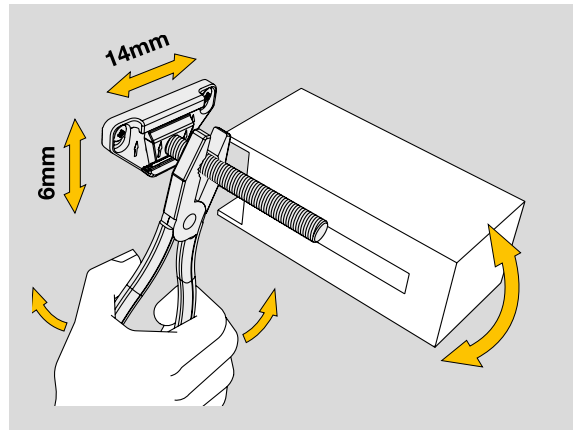
Each reference consists of 1 shelf support set, 2 x Ø6x30 wall plugs and 2 x Ø4.5x45 screws.



Machining of the shelf



Adjustment



Assembly

