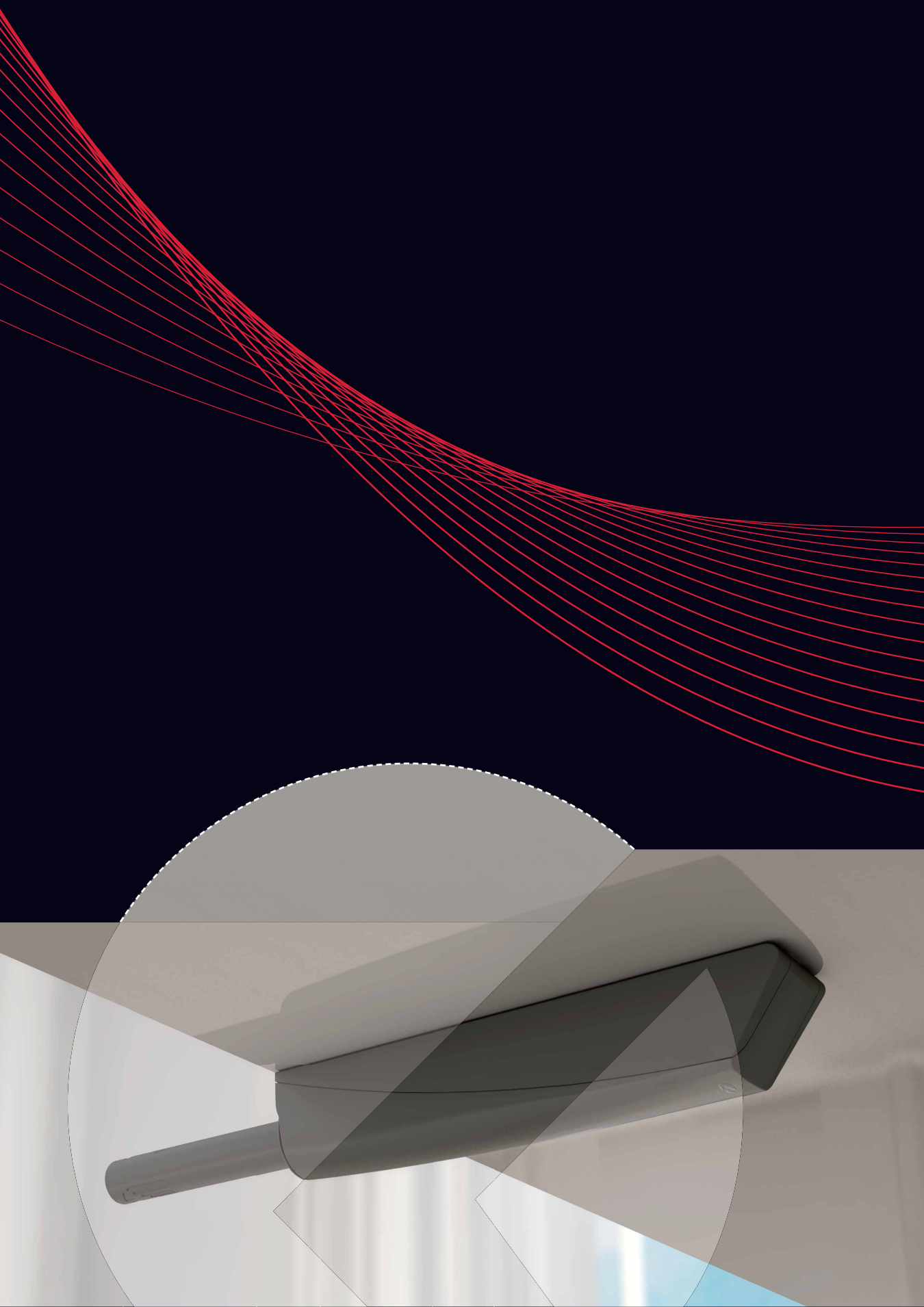


K PUSH TECH



PUSH CATCHES
AND MAGNETIC
CATCHES





SYMBOLS AND FINISHES LEGEND

SYMBOLS



= SHELF SAFELY LOCKED DURING TRANSPORTATION AND AT HOME.



= ANTI-TURNOVER LOCKING SYSTEM



= NORMS / PATENTS



= PHILLIPS / POZIDRIV



= NEWTON



= PART.NO



= HEXAGONAL SOCKET



= FRICTION



= PCS. PER PACKAGE



= BLADE SLOT



= AUTOMATIC



= COMBI SLOT



= DROP DOWN



= CAPACITY LOADING



= COUNTERSUNK HEAD



= WOOD / GLASS THICKNESS



= PAN HEAD



= STANDARD HINGE



= HOLE DIAMETER



= FLANGE HEAD



= KIMANA HINGE



= DIAMETER



= FLAT HEAD



= FLAP HINGE



= LENGTH



= TRILOBULAR SCREW



= WITH SPRING



= HEIGHT



= SELF-TAPPING SCREW



= WITHOUT SPRING



= RIGHT VERSION



= EURO THREAD



= REVERSED SPRING



= LEFT VERSION



= METRIC THREAD



= SETTING CODE



= PRE-INSERTED SCREW



= FOR ROUND TUBE



= PCS. PER PAD



= PRE-INSERTED SCREW AND SPREADING BUSH



= FOR OVAL TUBE



= CUT ON REQUEST



= WITH BUFFER



= SELF ADHESIVE



= WITH MAGNET



= WITH FLANGE

NOTE: Printing errors and omissions may exist despite our best efforts to ensure accuracy. We reserve the right to alter specifications without notice.

MATERIALS

ZA = Zinc Alloy	ST = Steel	HSS = High Speed Steel	BR = Brass	ABS = Acrylonitrile Butadiene Styrene
ZAnk = Nickel-plated Zinc Alloy	STzk = Zinc-plated Steel	AL = Aluminium	WD = Wood	EVA = Ethylene Vinyl Acetate

EP = **ENGINEERING PLASTIC**

+ **EP** = other engineering plastic available on request

SR = **SOFT RUBBER**

+ **SR** = other soft rubber available on request

EPn = Natural Engineering Plastic	EPc = Clear Engineering Plastic	SRn = Natural Soft Rubber
EPw = White Engineering Plastic	EPg = Grey Engineering Plastic	SRw = White Soft Rubber
EPwg = Water Green Engineering Plastic		SRb = Black Soft Rubber



FINISHES



+ **OTHER FINISHES AVAILABLE ON REQUEST**

PART. NO	FINISHES	PART. NO	FINISHES	PART. NO	FINISHES
AA	Natural	JB	Bright Aluminium	RO	Red
AB	White	JC	Aluminium - Chrome	UZ	T -Met
AC	Opal White	JD	Matt Aluminium	WA	Bronzed
AE	White 9010	JE	Satin-finished Aluminium	WI	Burnished
AK	Champagne	JF	Aluminium - Brass	XD	Satin-finished Steel
AL	Ivory	JG	Aluminium 5	YA	Nickel-plated
EA	Black	JL	Aluminium PE 11	YB	Bright Nickel-plated
EB	Glossy Black	JM	Aluminium RAL 9006	YC	Matt Nickel-plated
EC	Matt Black	KA	Chrome	YD	Satin-finished Nickel-plated
EE	Anthracite	KB	Bright Chrome	YQ	Black Nickel
FU	Gunmetal	KC	Matt Chrome	ZA	Zinc alloy
GR	Raw	MA	Brown	ZN	Zinc-plated
HA	Brass-Plated	MB	Light Brown 1	ZQ	Bright Gold
HH	Tropicalized	NN	Metallic Beige	ZY	Titanium
HL	Raw Brass	NO	Beige	ZZ	Clear
HX	Graphite	OA	Oak	00	Insignificant finish
IA	Grey	OZ	Ash		
IB	Metallic Grey	PA	Light Ash		
IF	Middle Grey	PZ	Beech		
IJ	Light Grey	QB	Walnut		

K PUSH TECH

K PUSH TECH is the fully renewed and extended program of automatic opening systems for doors without handles or knobs.

A special inner mechanism provides a very silent, yet powerful utilization, granting a long durability which makes it perfectly suitable for a wide range of doors.

K PUSH TECH is available:

- with buffer, for cabinets using sprung hinges.
- with magnet, for cabinets using unsprung hinges or negative hinges (Highest magnet strength available in the market).

K PUSH TECH program, includes an innovated range of spring strengths and three lengths of the output paths:

Short – 14 mm, Medium – 20 mm, Long – 37 mm.

Gap between door and cabinet is reduced: activation gap is 1,4 mm, ring thickness is 0,6 mm.

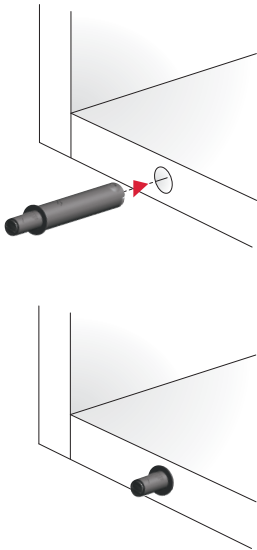
Wide adjustment feature: +6 / -0.45 mm; beyond this negative adjustment the spring is deactivated.



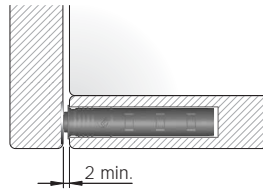
PATENT PENDING
REGISTERED DESIGN
ISO 7170/05



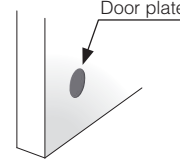
INSTALLATION TO BE EMBEDDED INSIDE THE PANEL



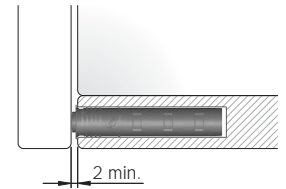
WITH MAGNET
for cabinets using **unsprung hinges**
or **negative hinges**.



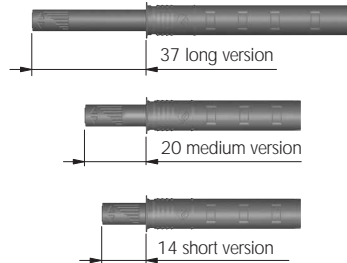
For details refer to
"K PUSH TECH AND
K LOCK DOOR PLATES".



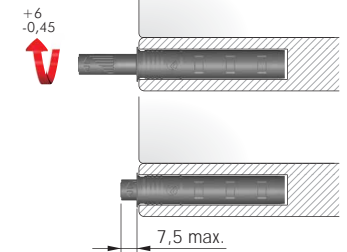
WITH BUFFER
for cabinets using **sprung hinges**.



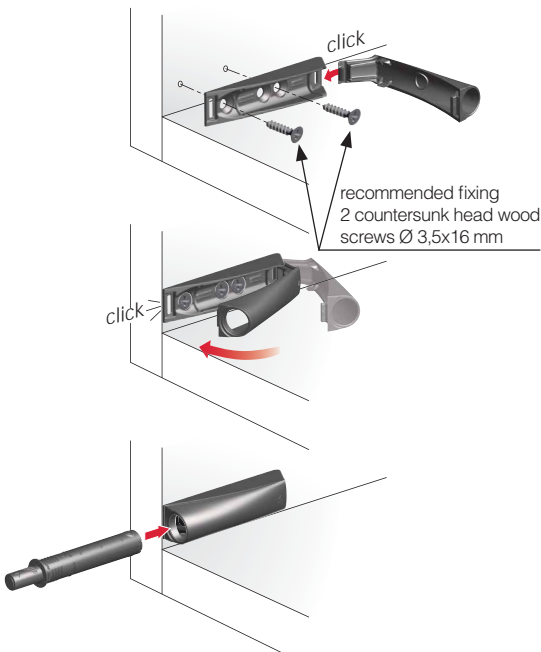
VERSIONS



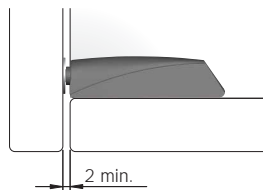
ADJUSTMENTS



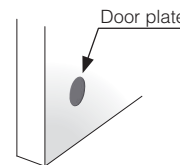
INSTALLATION THROUGH ADAPTER HOUSING



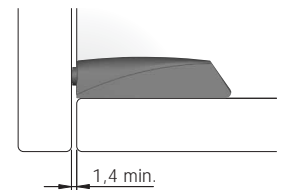
WITH MAGNET
for cabinets using **unsprung hinges**
or **negative hinges**.



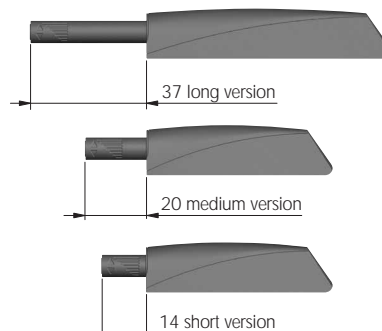
For details refer to
"K PUSH TECH AND
K LOCK DOOR PLATES".



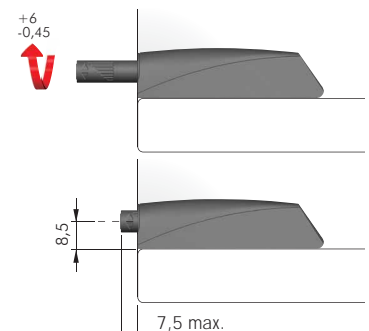
WITH BUFFER
for cabinets using **sprung hinges**.



VERSIONS

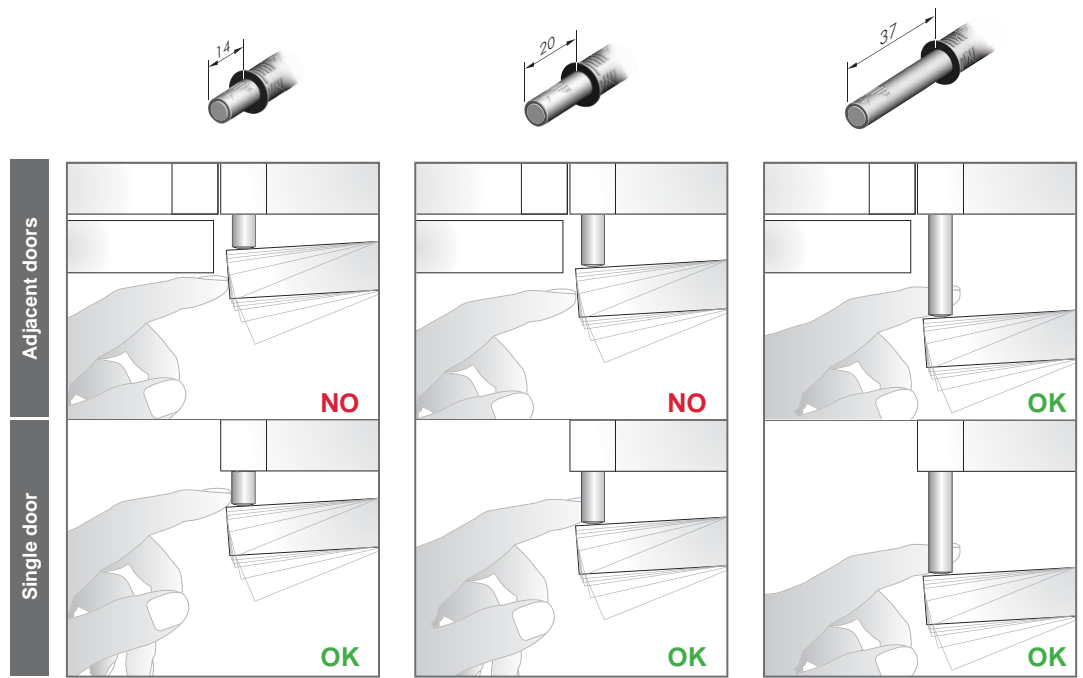
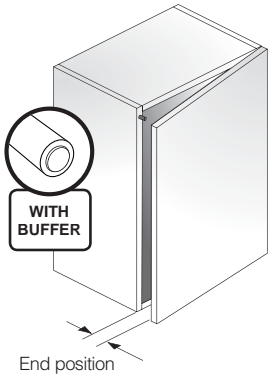
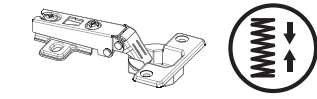


ADJUSTMENTS

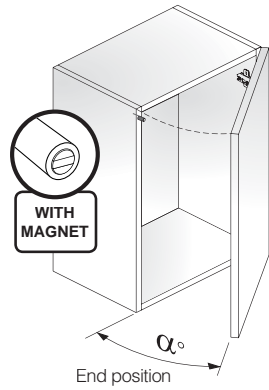
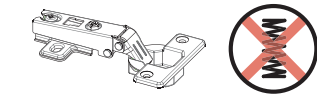




APPLICATION WITH SPRUNG HINGES



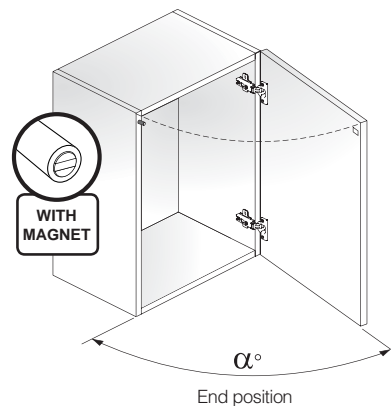
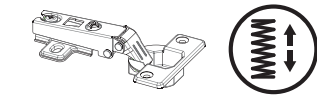
APPLICATION WITH UNSPRUNG HINGES



Door dimensions	Range weight	Indicative α° end door position				
		14mm	20mm	20mm (-)	37mm	37mm (-)
Small door size	2 - 5 kg	$\pm 30^\circ$	$\pm 37^\circ$	$\pm 40^\circ$	$\pm 55^\circ$	$\pm 70^\circ$
Medium door size	5 - 8 kg	$\pm 25^\circ$	$\pm 30^\circ$	$\pm 35^\circ$	$\pm 45^\circ$	$\pm 50^\circ$
Large door size	15 - 18 kg	$\pm 20^\circ$	$\pm 28^\circ$	$\pm 30^\circ$	$\pm 40^\circ$	$\pm 45^\circ$
Maxi door size	30 - 35 kg	-	$\pm 20^\circ$	$\pm 25^\circ$	$\pm 30^\circ$	$\pm 35^\circ$

Small and Medium door size tested with 2 hinges. Large and Maxi size doors tested with 5 hinges. Please note that test results are indicative. End door position may vary depending on hinge brand.

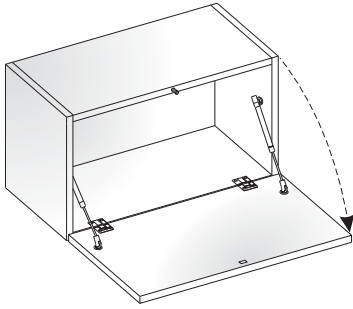
APPLICATION WITH NEGATIVE HINGES



Door dimensions	Range weight	Indicative α° end door position				
		14mm	20mm	20mm (-)	37mm	37mm (-)
Small door size	2 - 5 kg	$\pm 85^\circ$	$\pm 90^\circ$	$\pm 95^\circ$	Over 95°	Over 95°
Medium door size	5 - 8 kg	$\pm 70^\circ$	$\pm 85^\circ$	$\pm 90^\circ$	Over 95°	Over 95°
Large door size	15 - 18 kg	$\pm 40^\circ$	$\pm 50^\circ$	$\pm 60^\circ$	$\pm 70^\circ$	$\pm 80^\circ$
Maxi door size	30 - 35 kg	-	$\pm 35^\circ$	$\pm 40^\circ$	$\pm 50^\circ$	$\pm 60^\circ$

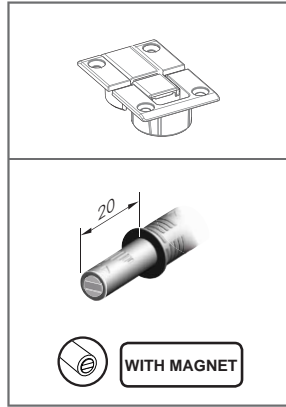
Small and Medium door size tested with 2 hinges. Large and Maxi size doors tested with 5 hinges. Please note that test results are indicative. End door position may vary depending on hinge brand.

DROP DOWN DOORS

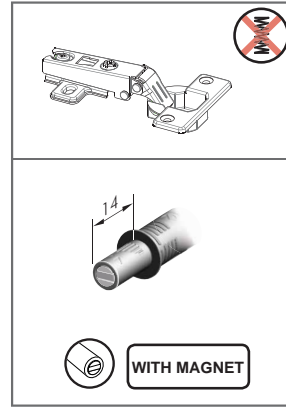


Please note that all technical specifications are based on cabinets assembled only with Italiana Ferramenta products.

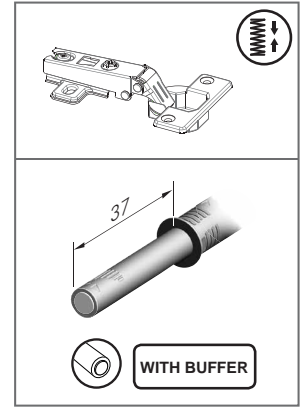
APPLICATION WITH: KIMANA HINGES



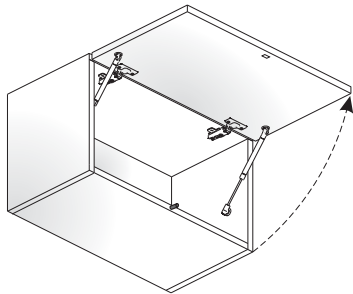
APPLICATION WITH: UNSPRUNG HINGES



APPLICATION WITH: SPRUNG HINGES

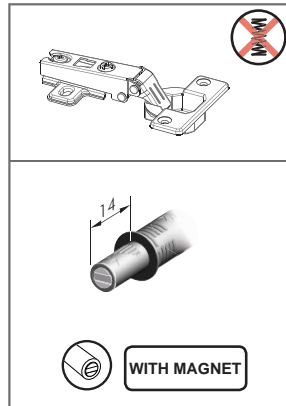


LIFT UP DOORS



Please note that all technical specifications are based on cabinets assembled only with Italiana Ferramenta products.

APPLICATION WITH: UNSPRUNG HINGES

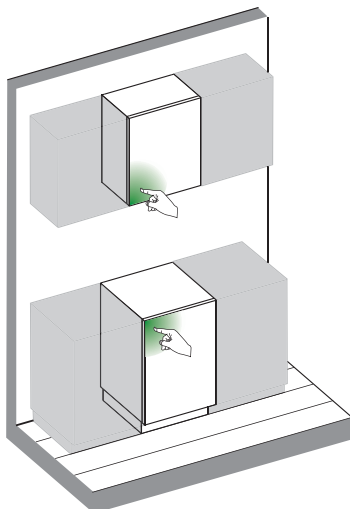
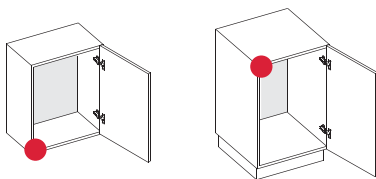


SUGGESTED INSTALLING SPOTS FOR K PUSH TECH

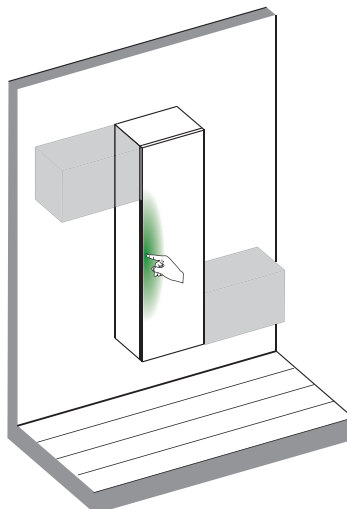
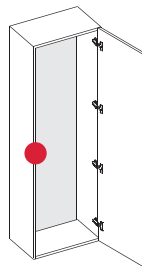
● = K PUSH TECH suggested spot

● = Activating area of K PUSH TECH

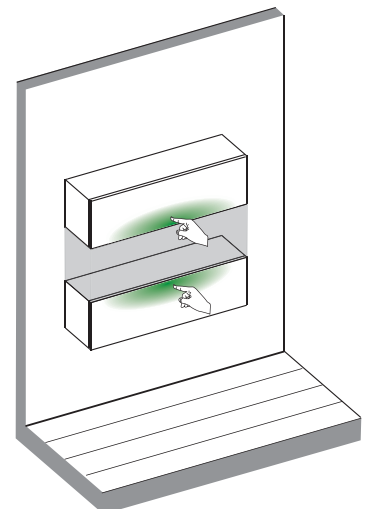
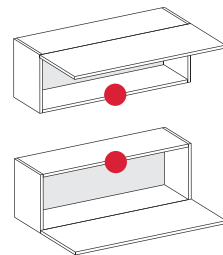
BASE CABINETS AND UPPER CABINETS WITH HINGED DOORS

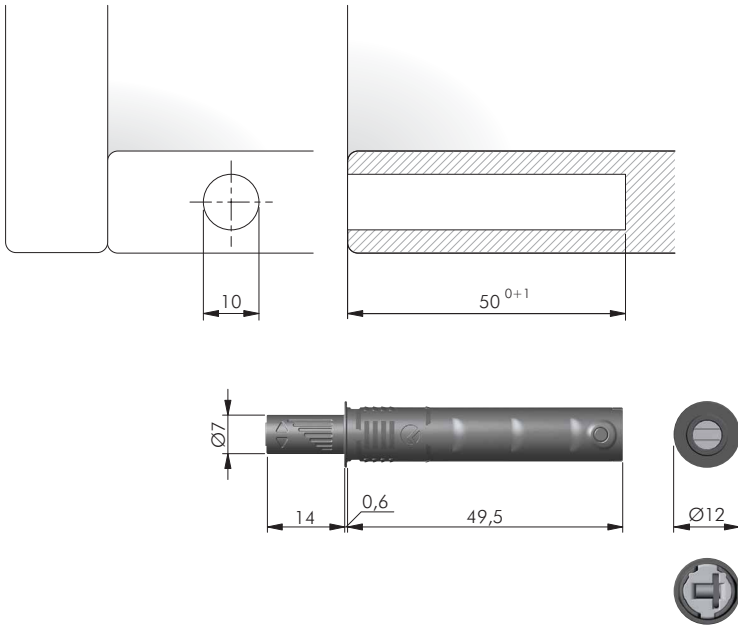


TALL CABINETS WITH HINGED DOORS

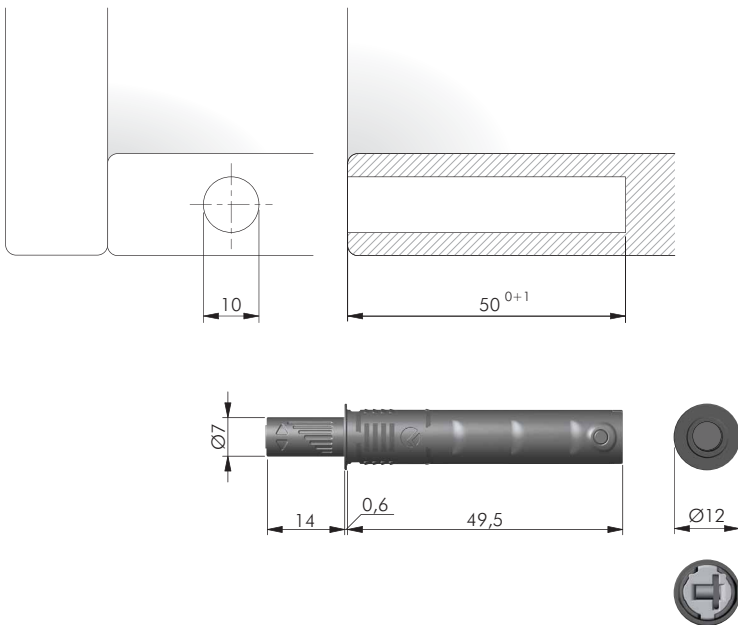


BASE CABINETS AND UPPER CABINETS WITH FLAP DOORS





	ST	EP	= 100 pcs.
	57002020EE		
	57002020IJ		
	57002020AB		



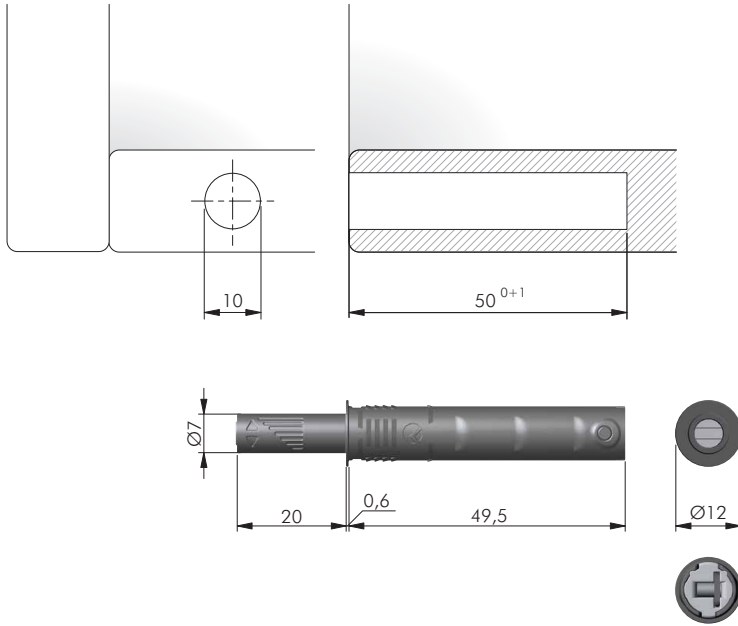
	ST	EP	SR	= 100 pcs.
	57002040EE			
	57002040IJ			
	57002040AB			











PUSH CATCHES
AND MAGNETIC
CATCHES

K PUSH TECH



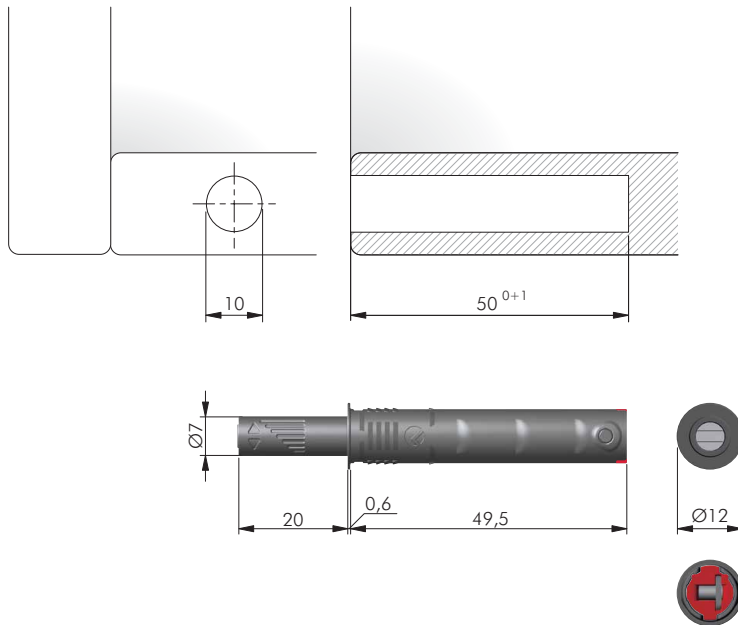



 = 100 pcs.










57004020EE

57004020IJ

57004020AB




STRONG VERSION


 = 100 pcs.

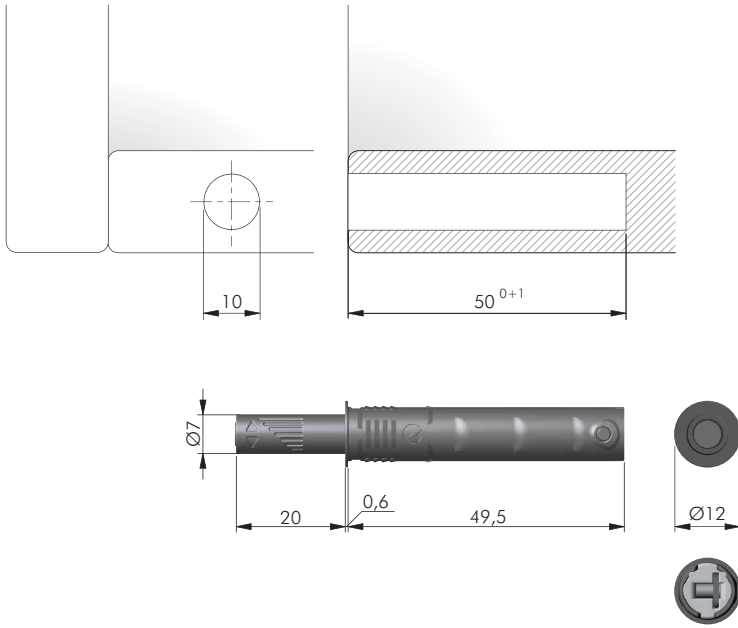



57004060EE

57004060IJ

57004060AB



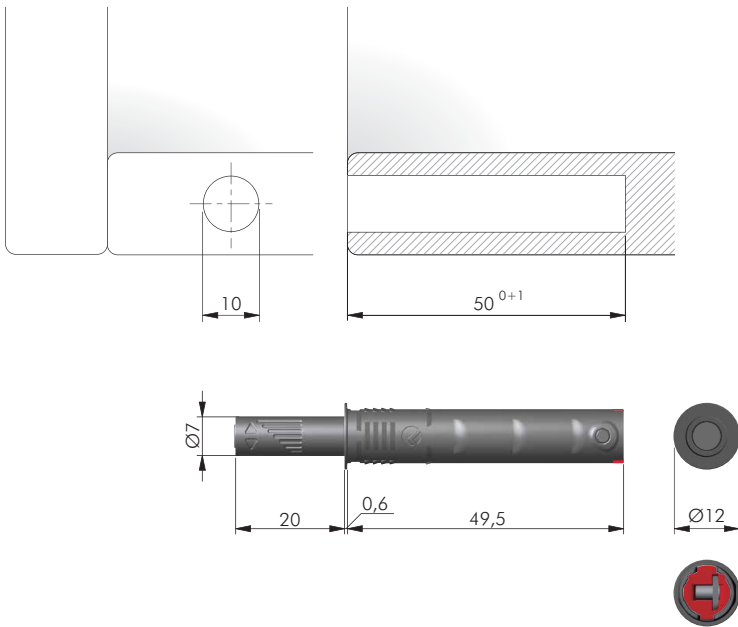


= 100 pcs.

57004040EE

57004040IJ

57004040AB



STRONG VERSION
 = 100 pcs.

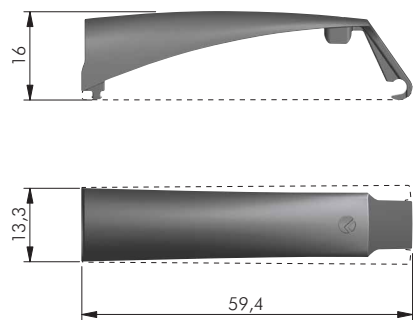
57004080EE

57004080IJ

57004080AB



ADAPTER HOUSING AND PLATE FOR **SHORT** AND **MEDIUM** VERSIONS



EP

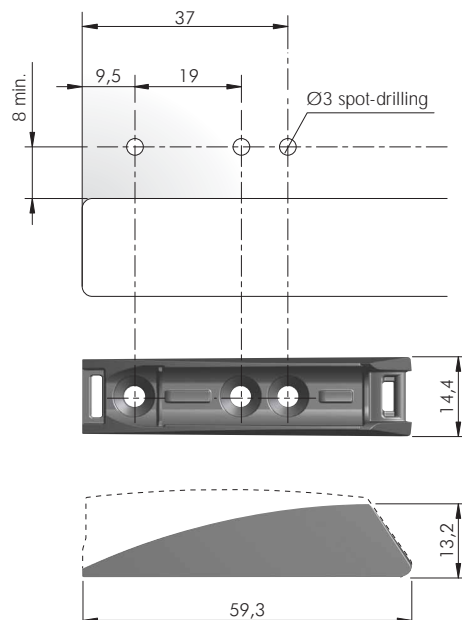
= 100 pcs.



57015020EE

57015020IJ

57015020AB



= Ø 3 mm

EP

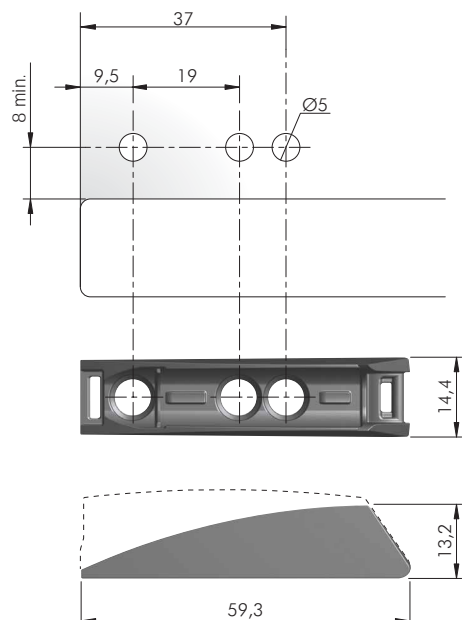
= 100 pcs.



57015040EE

57015040IJ

57015040AB



= Ø 5 mm

EP

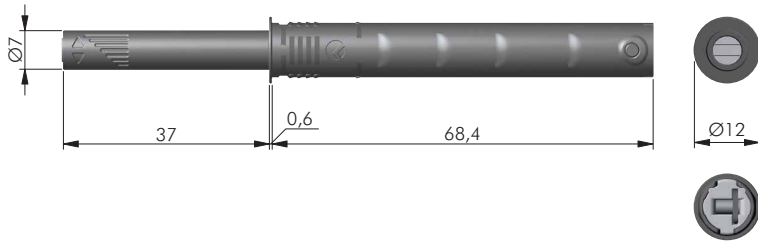
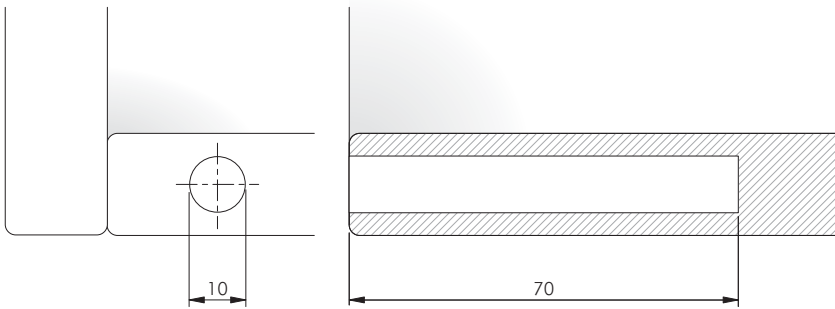
= 100 pcs.









57015060EE

57015060IJ

57015060AB



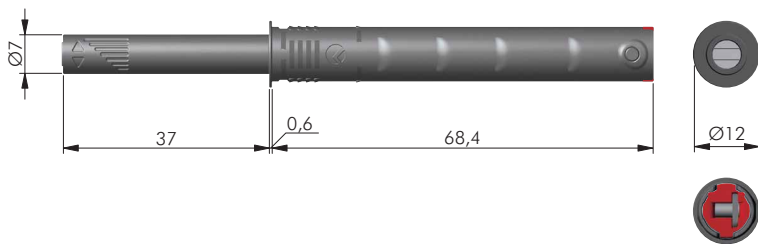
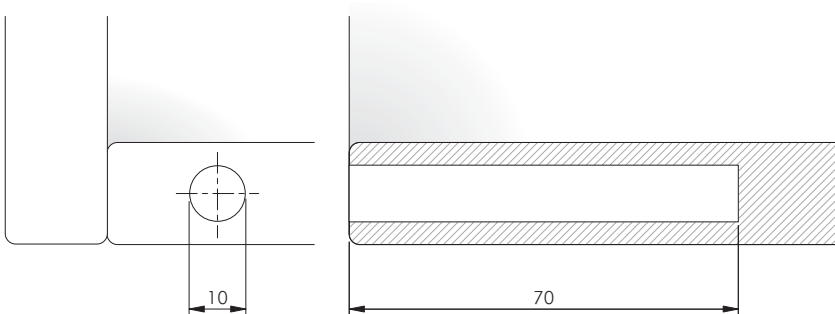



 = 100 pcs.








57008020EE

57008020IJ

57008020AB




STRONG VERSION
 = 100 pcs.

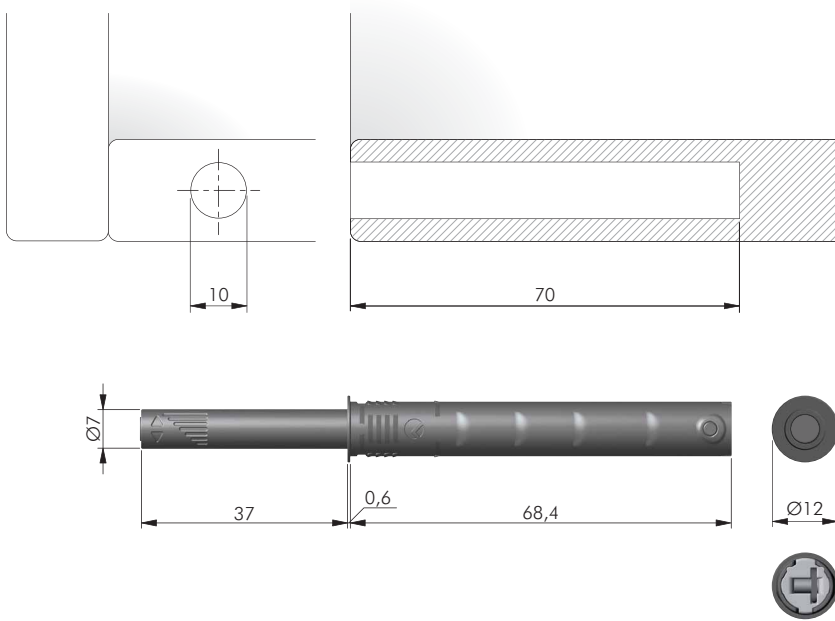



57008060EE

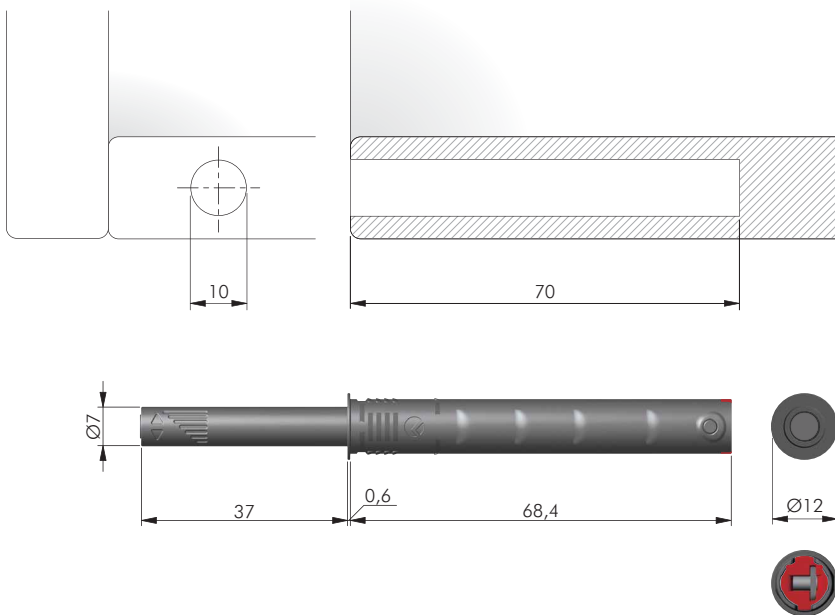
57008060IJ

57008060AB





	ST	EP	SR	= 100 pcs.
57008040EE				
57008040J				
57008040AB				

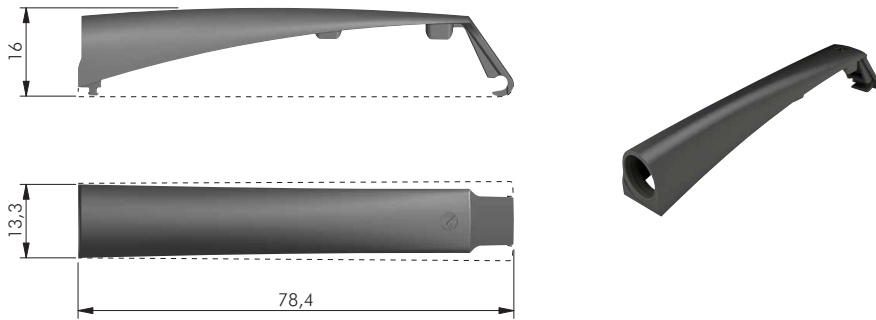


	STRONG VERSION			= 100 pcs.
ST	EP	SR		
57008080EE				
57008080J				
57008080AB				





ADAPTER HOUSING AND PLATE FOR LONG VERSION

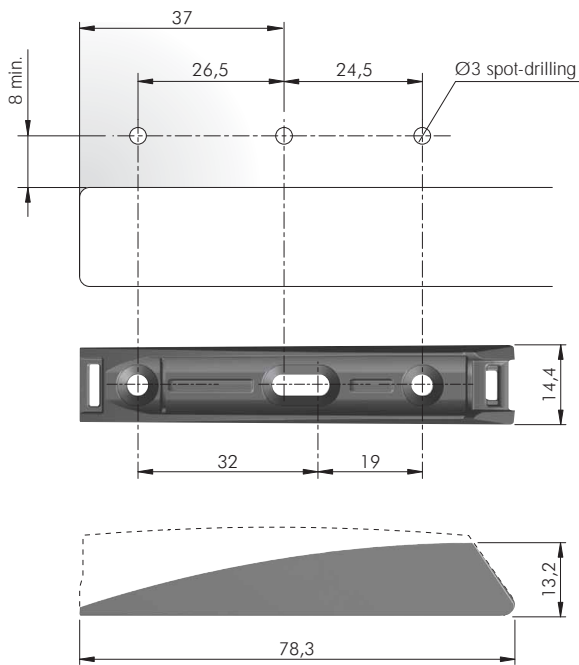


EP = 100 pcs.

57025020EE

57025020IJ

57025020AB



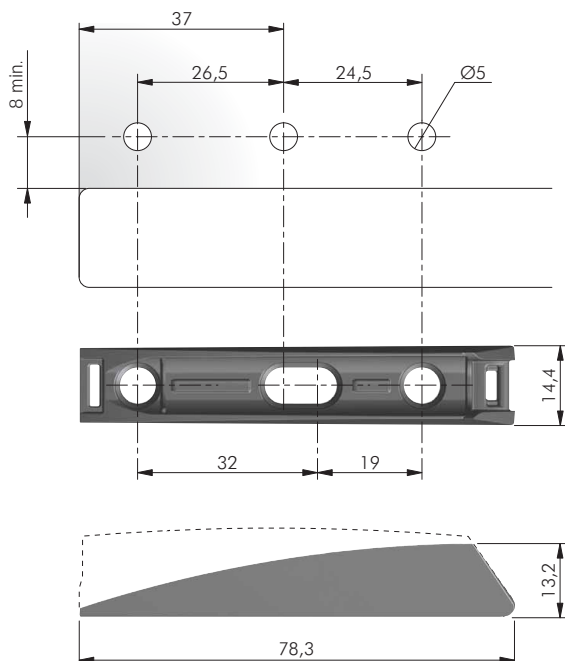
= Ø 2,5 mm

EP = 100 pcs.

57025040EE

57025040IJ

57025040AB



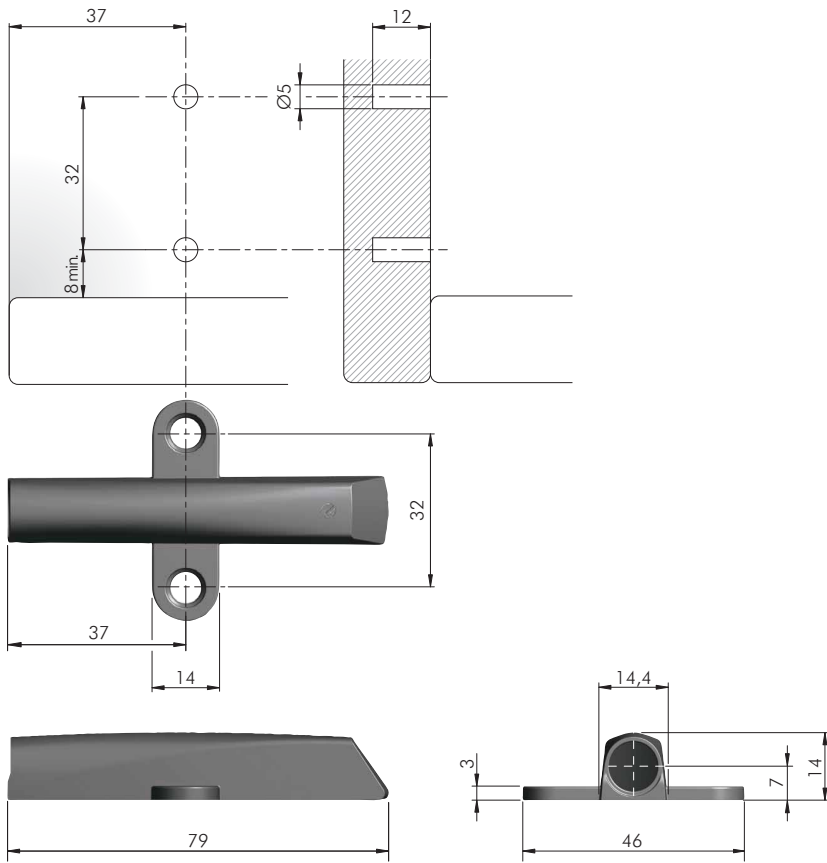
= Ø 5 mm

EP = 100 pcs.

57025060EE

57025060IJ

57025060AB



= Ø 5 mm

EP



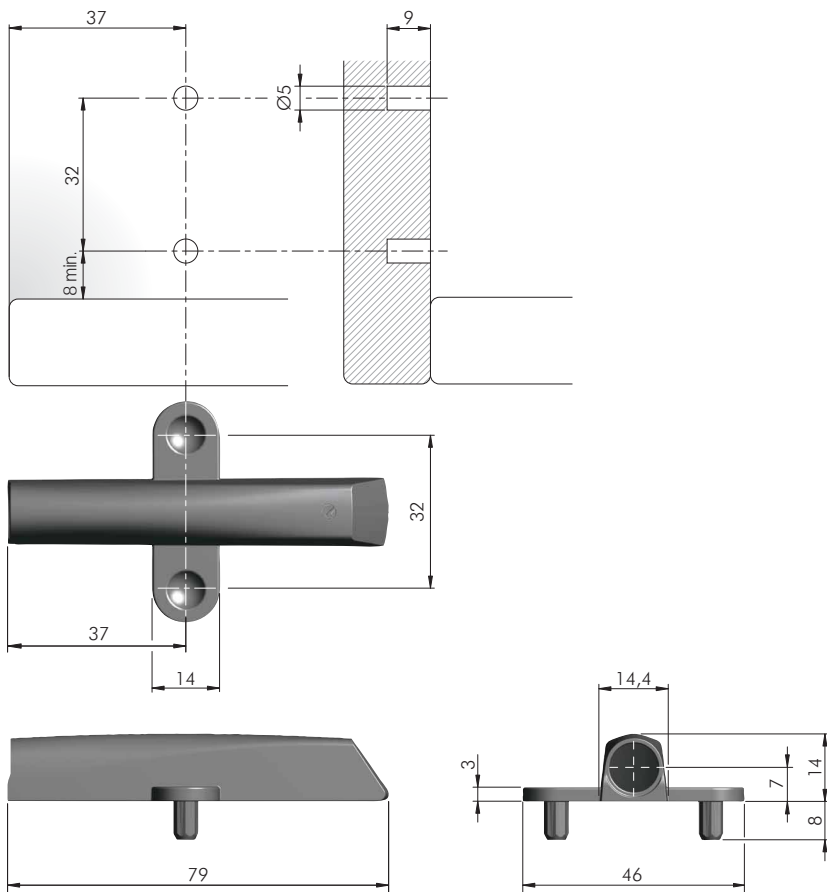
= 100 pcs.



57010080EE

57010080IJ

57010080AB



= Ø 5 mm

EP



= 100 pcs.



57010100EE

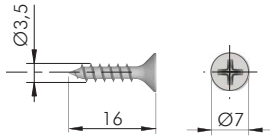
57010100IJ

57010100AB





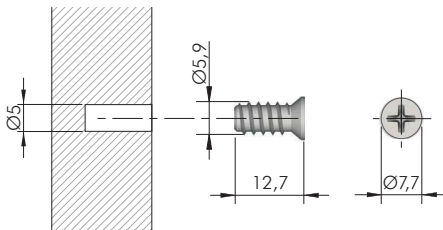
FIXING ACCESSORY FOR K PUSH TECH ADAPTER PLATES PART. NO 57015040, 57025040



= Ø 3 mm +
 = PZ2
 = 10.000 pcs.

123
 60101390ZN

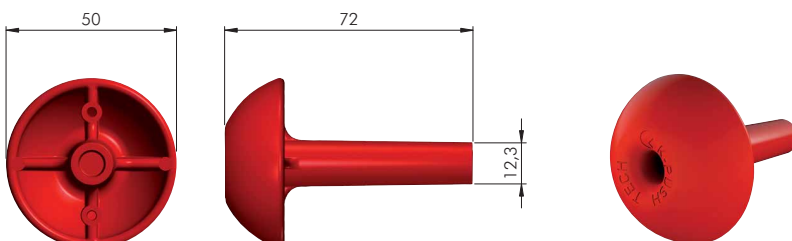
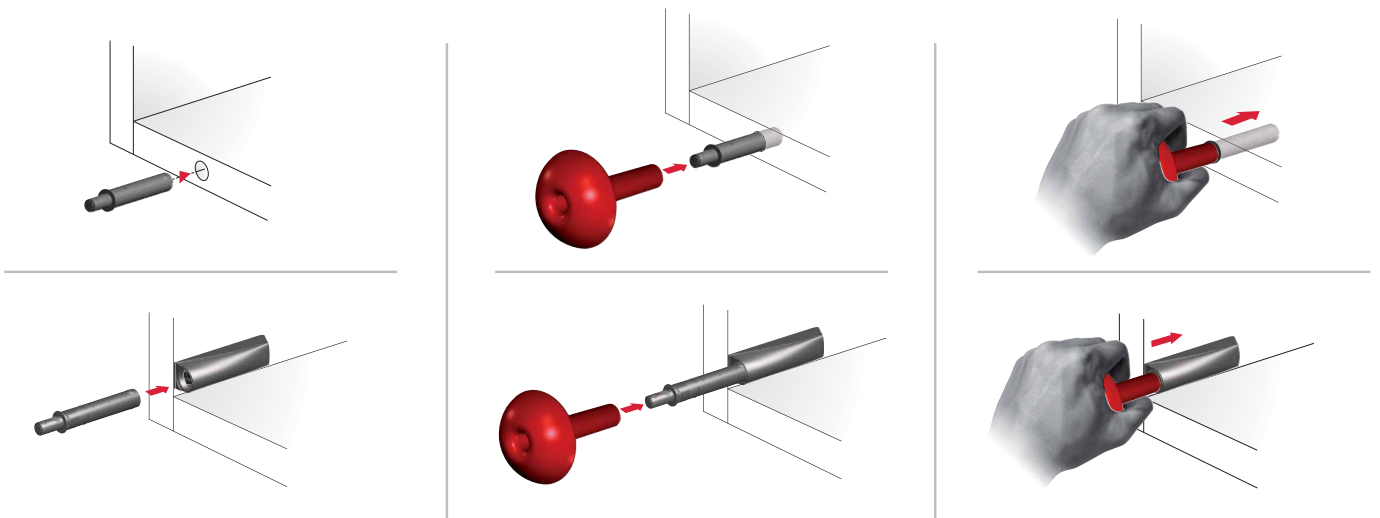
FIXING ACCESSORY FOR K PUSH TECH ADAPTER PLATES PART. NO 57015060, 57025060, 57010080



= Ø 5 mm +
 = PZ2
 = 5000 pcs.

123
 60501050YA

K PUSH TECH INSTALLING TOOL



= on request

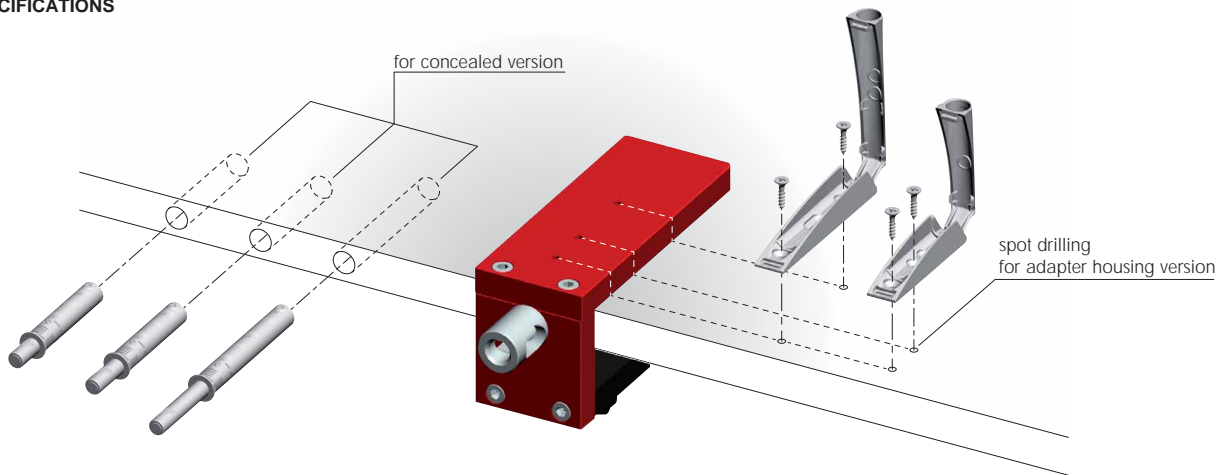
123
 57112000RO

DRILLING JIG K PUSH TECH

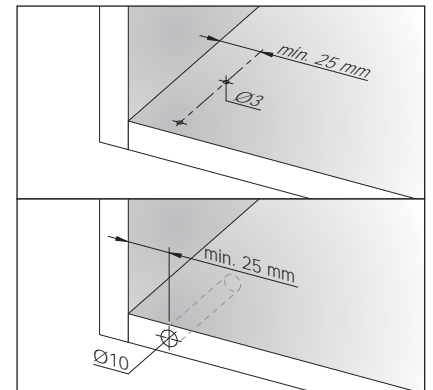
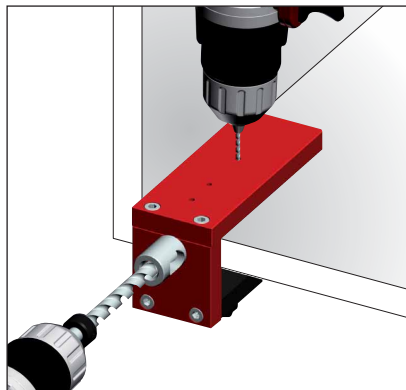
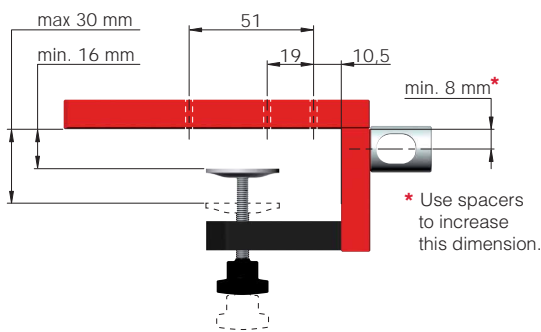


16 - 30 mm 

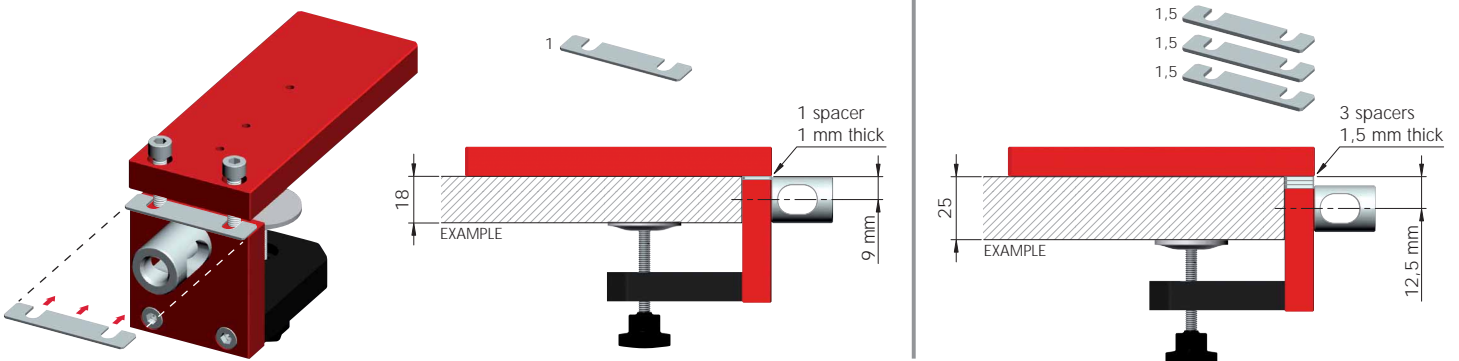
GENERAL SPECIFICATIONS



APPLICATION OPTIONS

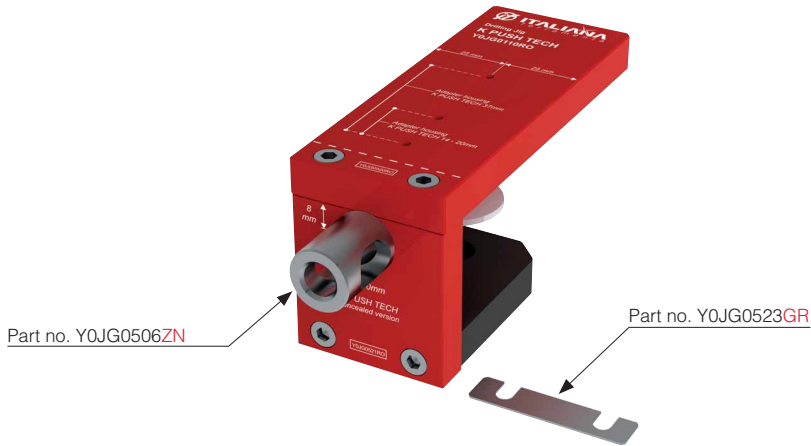


DRILLING SPACERS FOR OTHER PANEL THICKNESSES





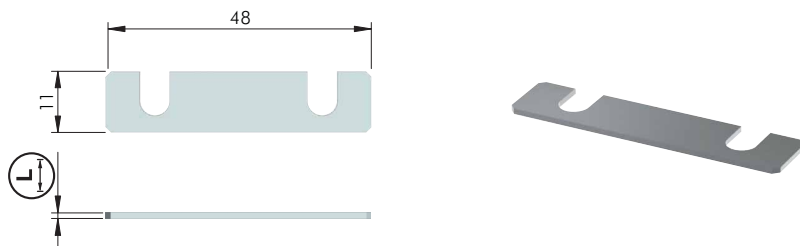
K PUSH TECH DRILLING JIG FOR PANEL THICKNESS 16 AND 18 mm



AL	ST	EP	= on request
Y0JG0110RO			

NOTE: The product code includes all the components shown in the picture.

K PUSH TECH DRILLING JIG ACCESSORIES



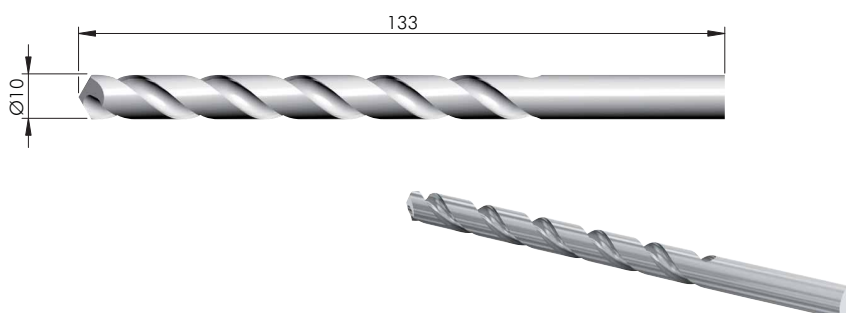
AL	= on request
Y0JG0523GR	1
Y0JG0524GR	1,5

DRILLING JIG DEPTH STOP COLLARS



ST	= on request
Y0JG051800	Ø10

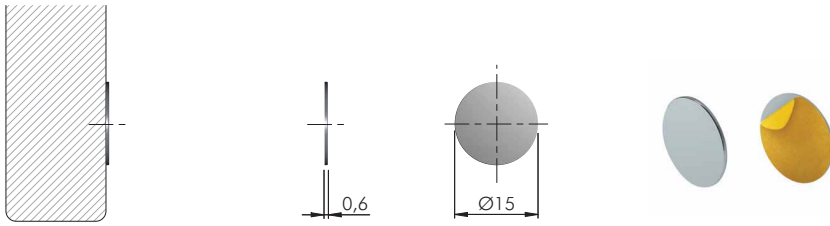
DRILL BIT



HSS	= on request
Y0JG052900	

NOTE: For drilling jig we recommend this type of drill bit.

K PUSH TECH AND K LOCK DOOR PLATES



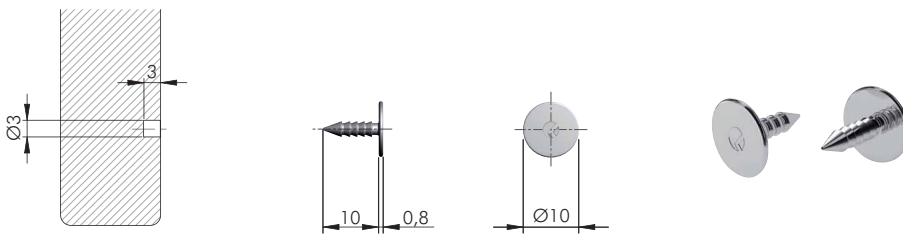
ST



= 100 pcs.



55006160XD



= Ø 3 mm

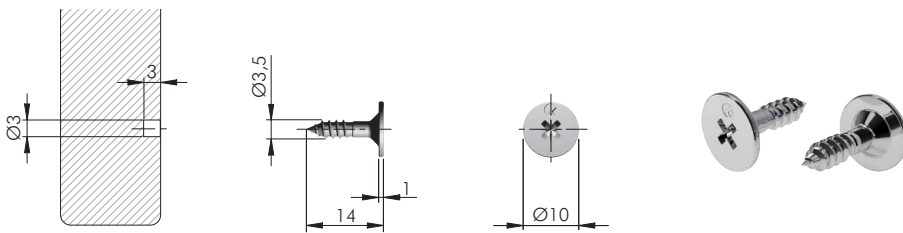
ST



= 100 pcs.



55006030YA



= Ø 3 mm



= PZ2

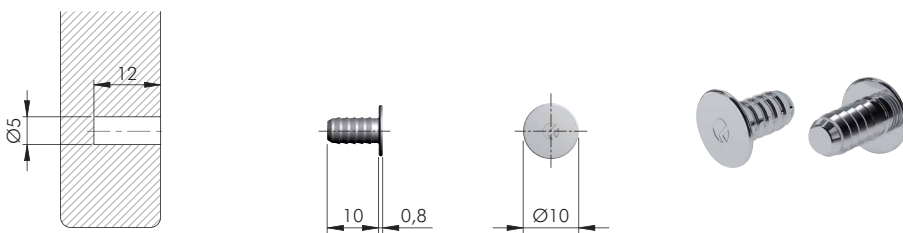
ST



= 100 pcs.



55006100YA



= Ø 5 mm

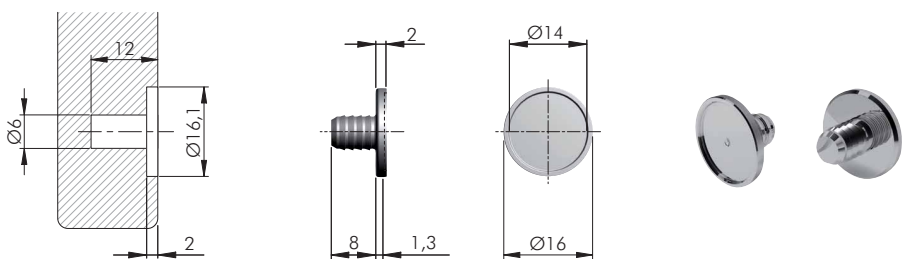
ST



= 100 pcs.



55006040YA



= Ø 6 mm

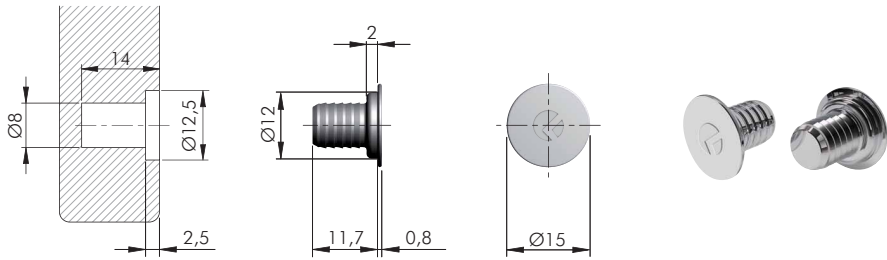
ST



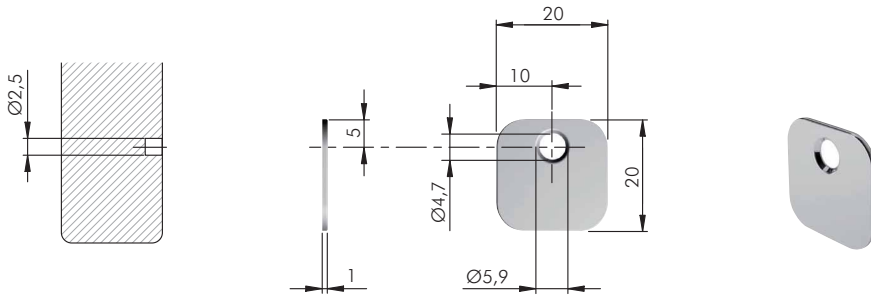
= 100 pcs.



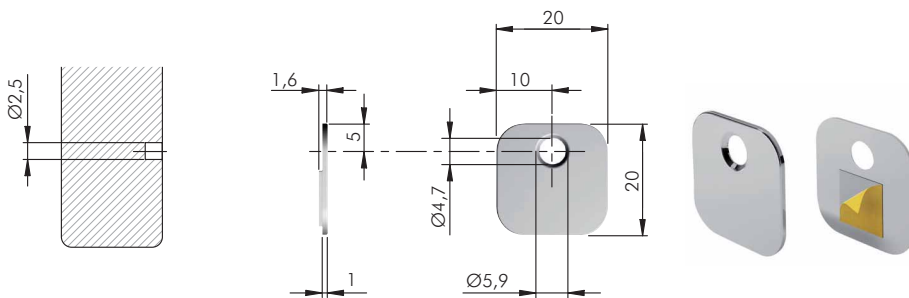
55006070YA



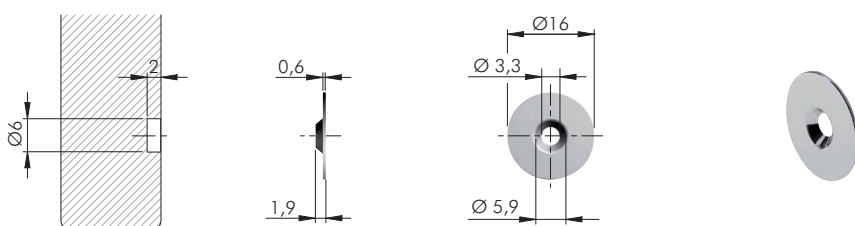
= Ø 8 mm	= 100 pcs.
ST	
123	
55006050YA	



= Ø 2,5 mm	= 100 pcs.
ST	
123	
55006120YA	



= Ø 2,5 mm	= 100 pcs.
ST	
123	
55006170YA	



= Ø 6 mm	= 100 pcs.
ST	
123	
55006130YA	

ACCESSORY FOR PART.NO 55006130YA AND 55006120YA

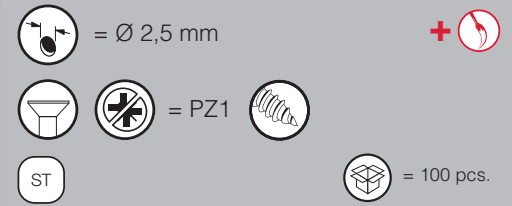
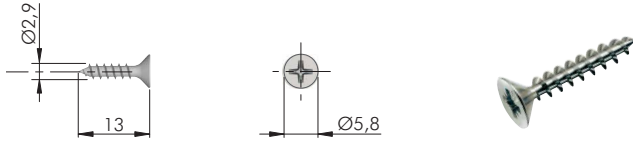
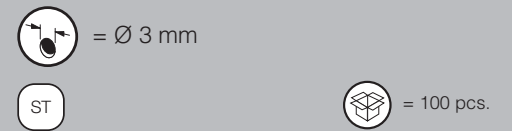
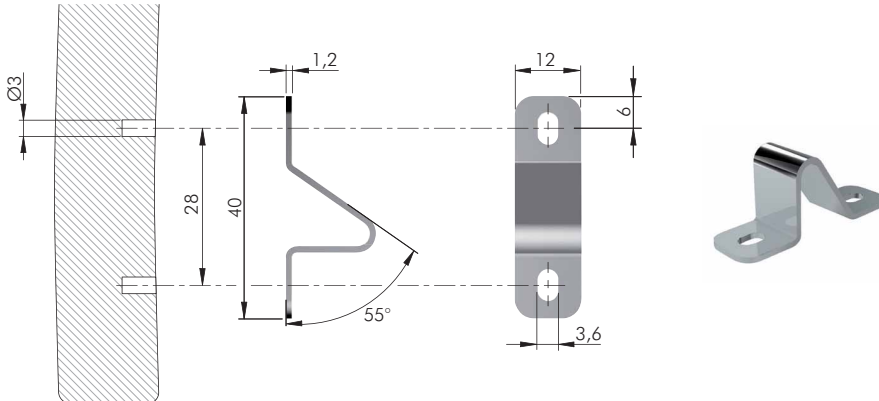
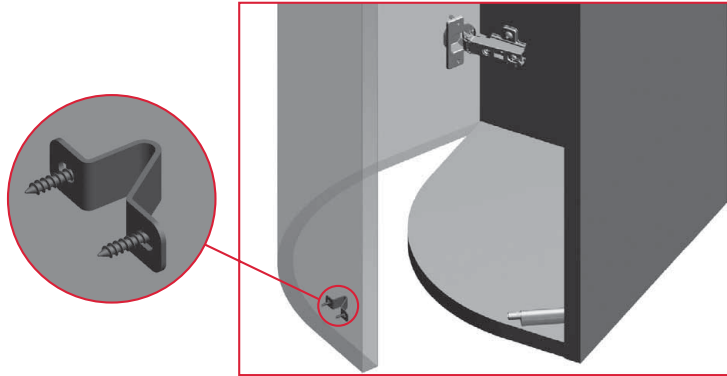
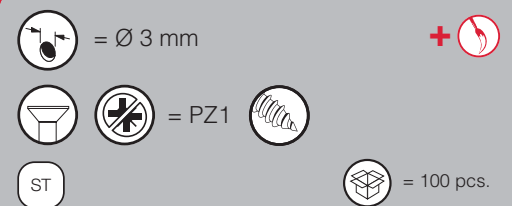
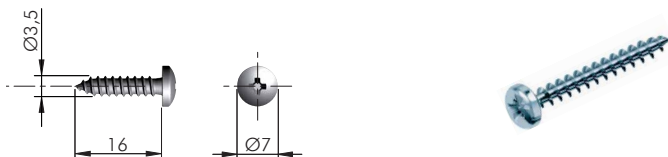


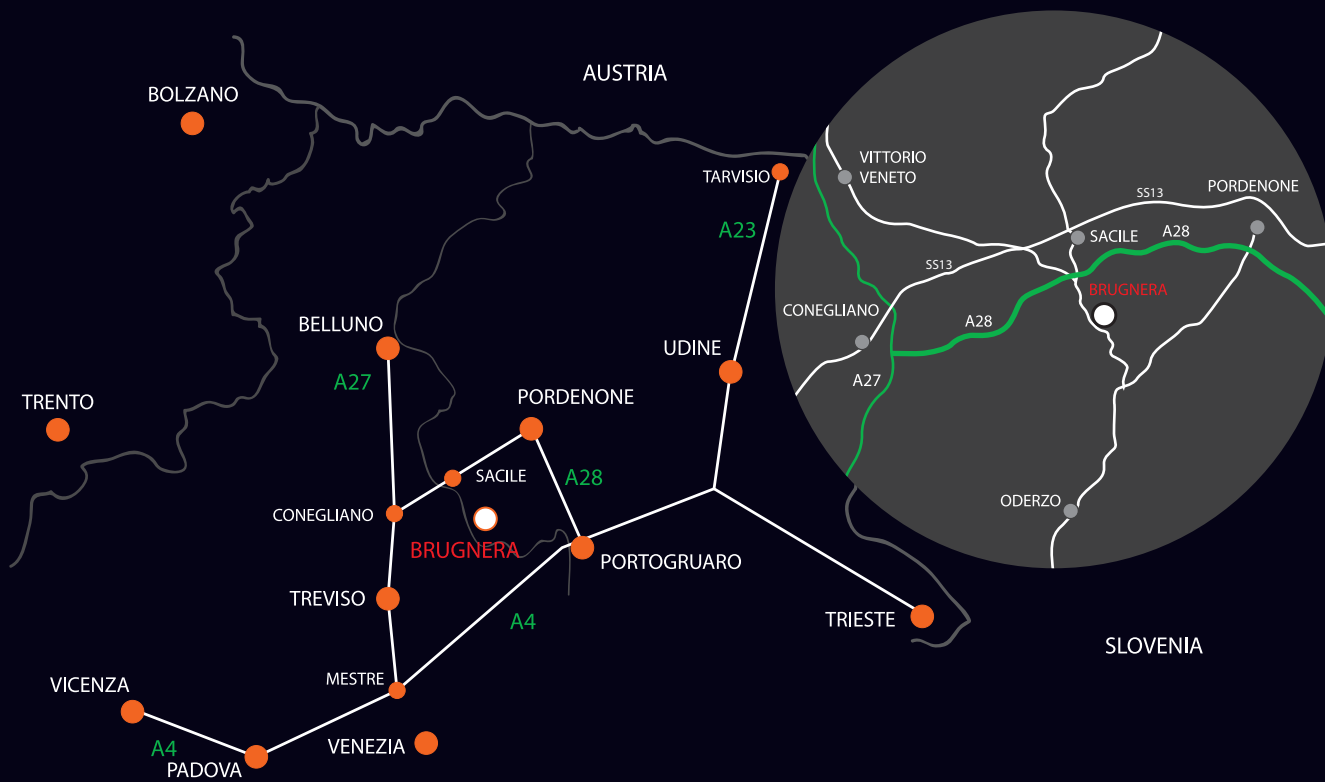
PLATE FOR K PUSH WITH ADAPTER HOUSING FOR CURVED DOORS



ACCESSORY FOR PART.NO 55006110YA







www.italianaferramenta.com