



# DUE

DUE is the ideal power strip for the kitchen. It guarantees an elegant power supply and can be used just as effectively in the office as in other areas. With its interchangeable covers, it can be colour-coordinated to its surroundings or create accents as desired, even after installation.

The split cover allows DUE to be slid open as required, with a design that looks equally elegant when in use. The low mounting depth of approximately 45 mm allows it to be compactly integrated into kitchen worktops, or the wall, or installed above drawers.

## BENEFITS

- **Interchangeable lids available in black, white and stainless steel look**
- **Low mounting depth (approx. 45 mm)**
- **Space-saving design even when open**
- **Supplied with installation template**

## AWARDS

**DESIGN PLUS**  
powered by: light building



**Dimensions (WxHxD):** 139x67x49 mm  
**Mounting depth without cable:** 45 mm  
**Material:** plastic  
**Thickness of tabletop:** 10–40 mm

**Socket colour:** black

**Lid colour variants:**

### DUE power strips

#					
---	--	--	--	--	--

**Power input: 0.2m cable with GST18i3 plug**

929.010	2			90°	
929.012			2	90°	

**Power input: 2.0m cable with ferrules and mounting plug, included**

929.000	2			90°	
929.030	1			90°	●
929.002			2	90°	
929.032			1	90°	●

**Power input: 2.0m cable with mounted UK plug**

929.004		2 (13A)		90°	
929.034		1		90°	●



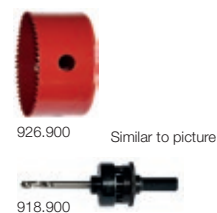
CONNECTION PANELS

### DUE lid

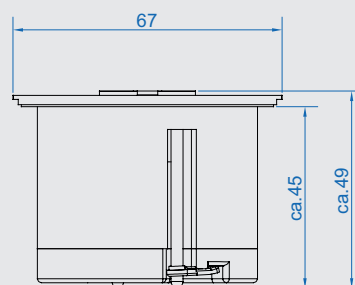
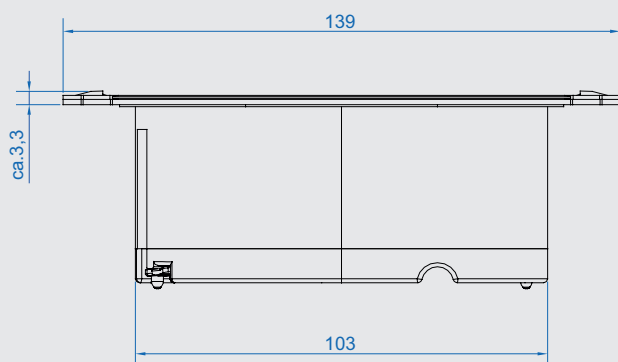
#	
929.100	Stainless steel look surface
929.101	Black (similar to RAL9005)
929.102	White (similar to RAL9010)

### Accessories

#	
<b>Hole saw</b>   For installing DUE	
926.900	In wood/plastic   Cutting depth up to 44 mm   Diameter 56mm
918.900	Mounting tool for hole saw with centre drill



**Space-saving** even when open.



Dimensions in mm without lid

Power strip and lid must be ordered separately

For suitable **device supply cables**, see from page 66.

For suitable **Custom Modules\***, see from page 172.

\* Observe compatibility table on page 189 onwards.

Pictograms and their meaning can be found on page 299.