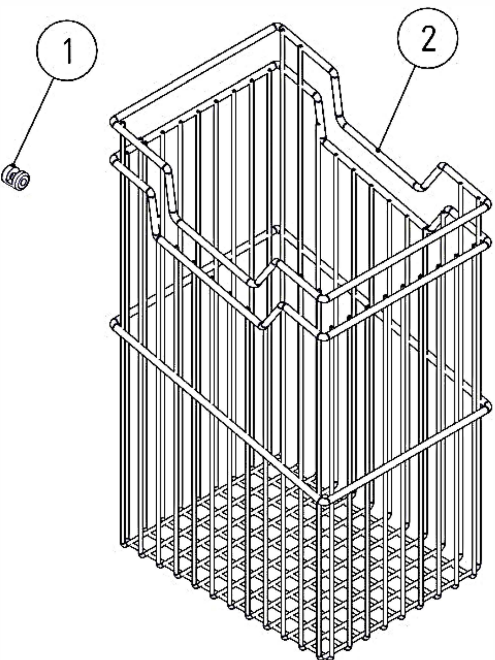
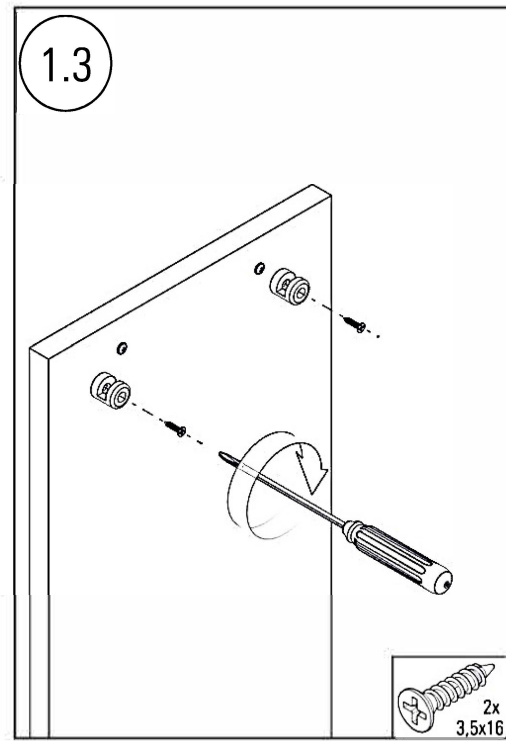
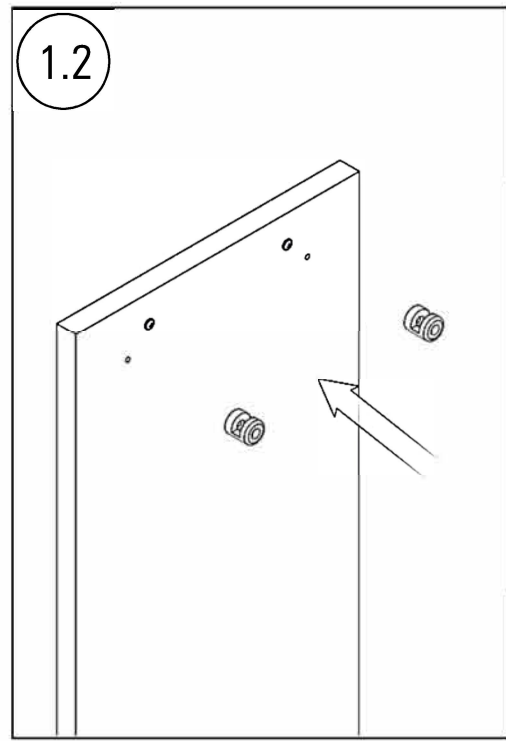
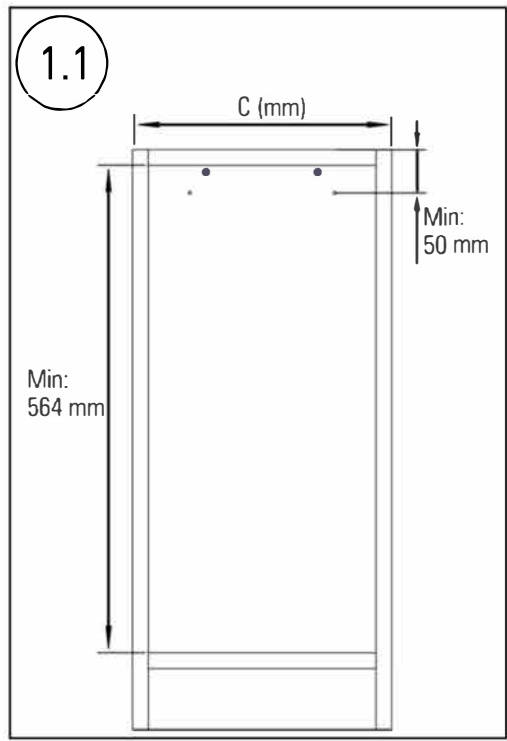


• LAUNDRY BASKET WITH HANGER

MOUNTING INSTRUCTIONS



Product Code	C (mm)
S-8111	300
S-8112	350
S-8113	400
S-8114	450
S-8115	500
S-8116	550
S-8117	600



ITEMS PART		
NO	PART DRAWING	PCS.
1		2
2		1
3		2

