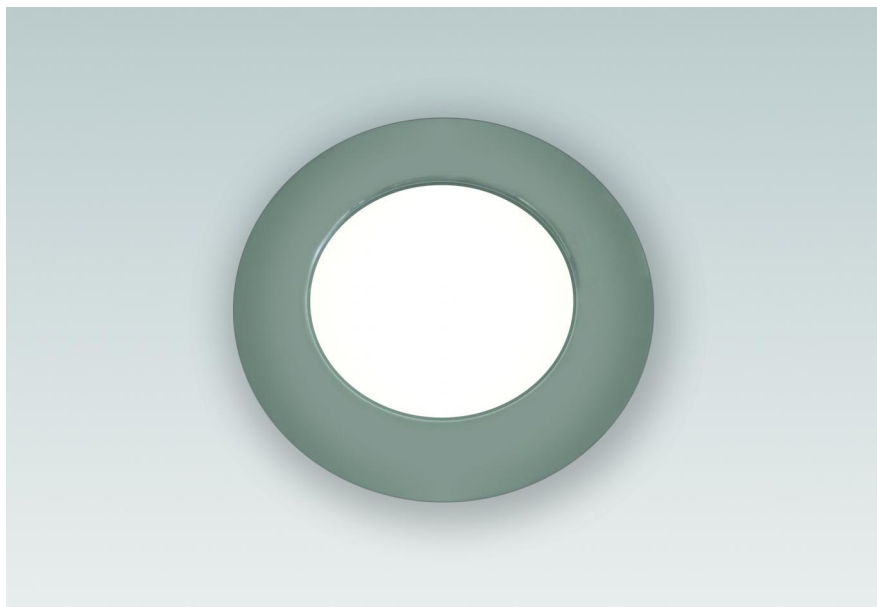


NUBE 230



TYPE


LED Product
Recessed spotlight

APPLICATIONS



For under-cabinet, under-shelf and cabinet applications

FINISH


-  ⁰¹ White
-  ⁶⁵ Metallic grey



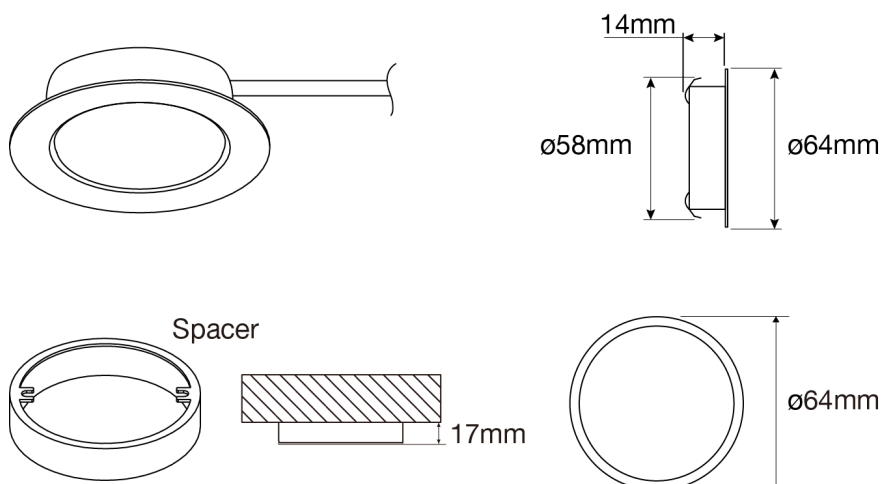
PRODUCT FEATURES

- optic designed to ensure uniform light diffusion
- available with spacer for surface mounting

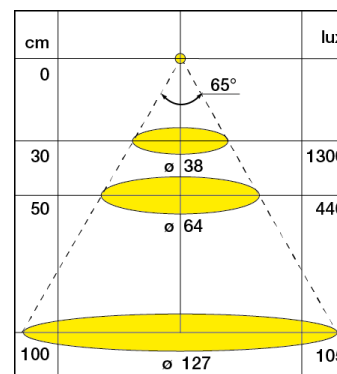
SPECIFICHE

COD.	VERS.	P(w)	V~	Ø mm	P mm	K	
2330015__00ZW	-	2,6	220-240	64	58	Warm White	10
2330015__00ZN	-	2,6	220-240	64	58	Natural White	10
2330017__00	Spacer	-	-	64	-	-	10
12605120100	Distributor	\	\	\	\	\	10

DIMENSIONS



ILLUMINANCE



A°
B - Lux
C - Lux
D - Lux

VERS.
NW
CRI
>80

LUMEN
200
LUMEN / W
77