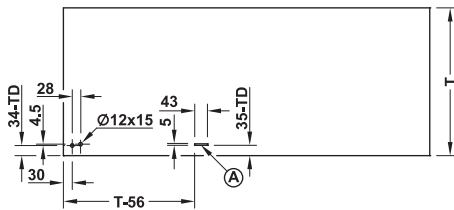


# Table Fittings

## Table top swivel fittings



- > Predestined solution for small rooms such as work rooms, surgical waiting rooms, meeting rooms, children's rooms or dining rooms
- > One piece of furniture – two functions: Sideboard and table
- > The entire storage space inside the cabinet can be used



Cabinet

TD = door thickness ≤25 mm

Cabinet with inset doors:

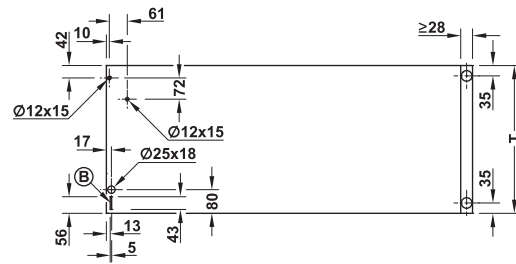
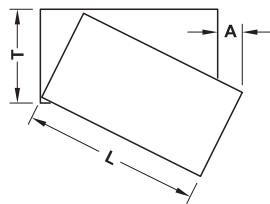
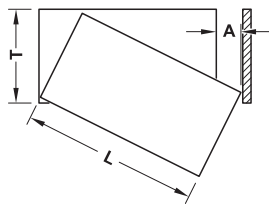
Cabinet with overlay doors:

Depth T = cabinet depth

Depth T = cabinet depth + door thickness TD

Ⓐ Routing depth 12 mm

Ⓑ Routing depth 11 mm



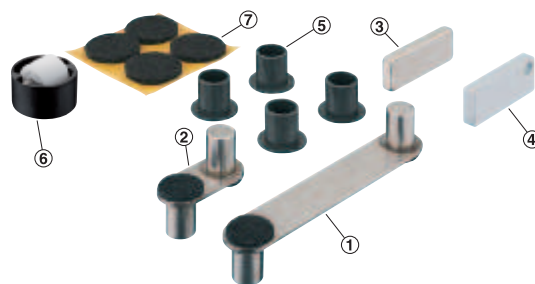
Swivel table

- > Width: ≤1,200 mm
- > Depth T: ≤600 mm
- > Panel thickness: Top panel: ≥25 mm, side panel: ≥28 mm

### Space requirement A (mm) for table when swivelled out

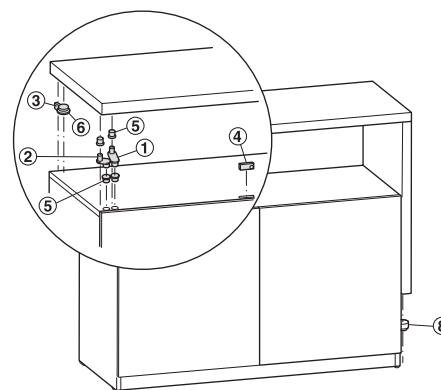
Depth T (mm)	Length L (mm)						
	600	700	800	900	1000	1100	1200
300	111	102	95	89	84	80	77
350	122	111	103	97	91	87	83
400	131	120	111	104	98	93	89
450	140	128	119	111	105	99	95
500	148	136	126	118	111	105	100
550	156	144	133	125	118	111	106
600	163	150	140	131	124	117	111

### Supplied with



- 1 lever arm, long ①
- 1 lever arm, short ②
- 1 stop plate ③
- 1 magnet ④
- 4 sliding bushings ⑤

- 1 castor ⑥
- 4 felt glides for glue fixing beneath swivel table ⑦
- 1 set of installation instructions



### Order reference

Please order 2 castors ⑧ for floor separately.

	Cat. No.
Table top swivel fitting	646.31.000
<b>Castors for floor</b>	
Hard running surface, Ø 25 mm	661.05.345
Soft running surface, Ø 25 mm	661.05.340
Hard running surface, Ø 36 mm	661.05.320
Soft running surface, Ø 36 mm	661.05.330

Packing: 1 set