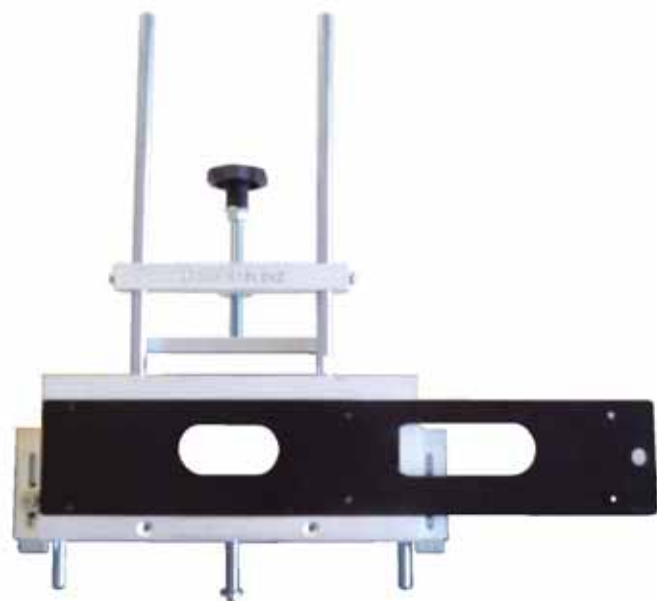
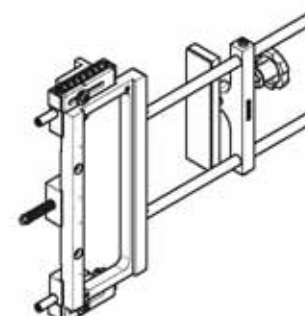
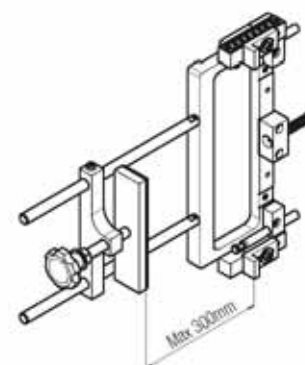
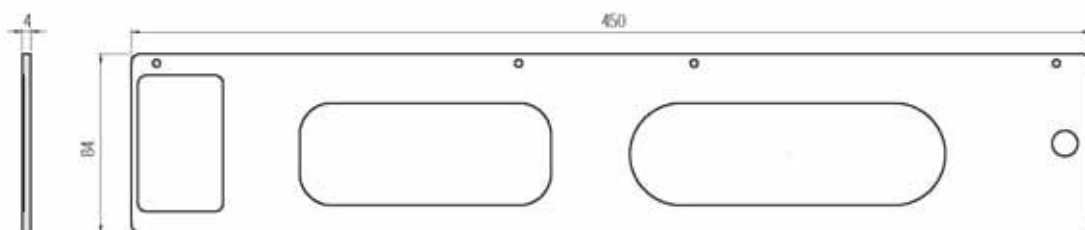
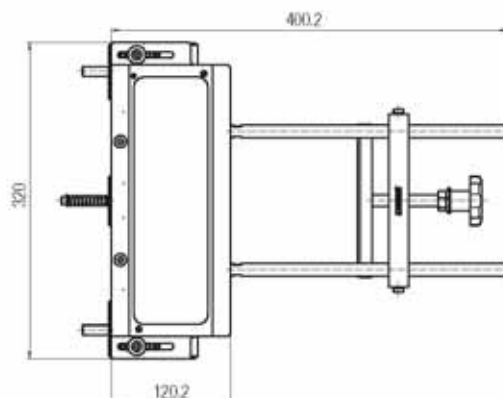
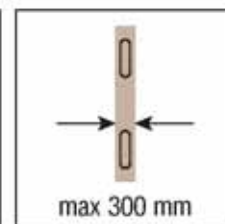


DIMA UNIVERSAL

Dima universale per cerniere a scomparsa Koblenz - *Plantilla universal para bisagras ocultas Koblenz*
 Dima gabarit universel pour charnières invisibles Koblenz - *Universalfräsrahmen für verdeckte Koblenz Türbänder*
 Universal template for Koblenz concealed hinges - *Universele mal voor Koblenz verdeckte scharnieren*



Realizzazione
Version
ALLUMINIO
ALUMINIUM



DIMA UNIVERSAL		Art. K.DIMA	
Model:	Code:	\emptyset	L
Atomika K8000	Art. K.800	16 mm	30 mm
Atomika Slim K8060	Art. K.806	16 mm	30 mm
Atomika Karakter K8080	Art. K.508	16 mm	30 mm
Kubica K6360/38	Art. K.636 38	16 mm	30 mm
Kubica K6360/45	Art. K.636 45	16 mm	30 mm
Kubica K2760	Art. K.276	16 mm	30 mm
Kubica K2400	Art. K.240	16 mm	30 mm
Kubica K5080	Art. K.508	16 mm	30 mm
Kubica K6200	Art. K.620	16 mm	30 mm
Kubica K6700	Art. K.670	16 mm	30 mm
Kubica K6300	Art. K.630	12 mm	30 mm
Kubica 27 K2700	Art. K.270	16 mm	30 mm
Kubica KubiKuadra K3000	Art. K.300	16 mm	30 mm
Kubica KubiCenter K6400	Art. K.640	16 mm	30 mm
KuBi7 K7000	Art. K.700	16 mm	30 mm
KuBi7 K7080	Art. K.708	16 mm	30 mm
KuBi7 K7120	Art. K.712	16 mm	30 mm
KuBi7 K7200	Art. K.720	16 mm	30 mm
KuBi7 Kubica Twist K2000	Art. K.708	16 mm	30 mm
KuBi7 KINOX K7316	Art. K.708	16 mm	30 mm
Kombi 3 K1000	Art. K.100	16 mm	30 mm
Kombi 30 K1000 S30	Art. K.100.S30	16 mm	30 mm
Kubikina K6100	Art. K.610	10 mm	30 mm
Frese consigliate - <i>Fresas recomendadas</i> - <i>Fraises conseillées</i> <i>Empfohlene Fräser</i> - <i>Suggested milling sets</i> - <i>Aanbevolen frezenset</i>			
\emptyset 16 mm	L = 110 mm	CMT 177.161.11	
\emptyset 12 mm	L = 100 mm	CMT 177.121.11	
\emptyset 10 mm	L = 90 mm	CMT 177.100.11	

K.DIMA