

KUBIKINA K6100

Patented

Cerniera per mobili regolabile su 3 assi - *Bisagra para muebles regulable en 3 ejes*
 Charnière de meubles réglable en 3 dimensions - *3-dimensionales, verstellbares Band für Möbel*
 3 axis adjustable hinge for furnitures - *Scharnier voor meubels regelbaar op de 3 assen*



Realizzazione
Version

ZAMA

Finitura
Finishing

min. 18 mm

max 600 mm

10,5 kg (2: cerniere - hinges)
 14 kg (3: cerniere - hinges)
 19 kg (4: cerniere - hinges)

2 mt
 1,5 mt
 1 mt

1 mt (2: cerniere - hinges)
 1,5 mt (3: cerniere - hinges)
 2 mt (4: cerniere - hinges)

COVER

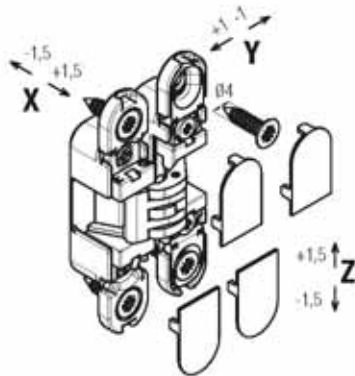
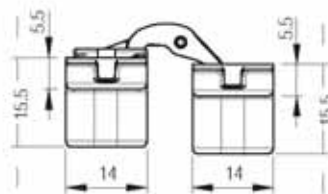
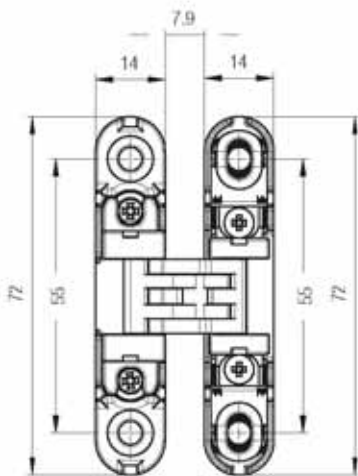
Regolazioni
Adjustments

3D

180°

Applicazione 1:
all'interno del box
 Application 1:
mounting inside the box

Applicazione 2:
all'esterno del box
 Application 2:
mounting outside the box



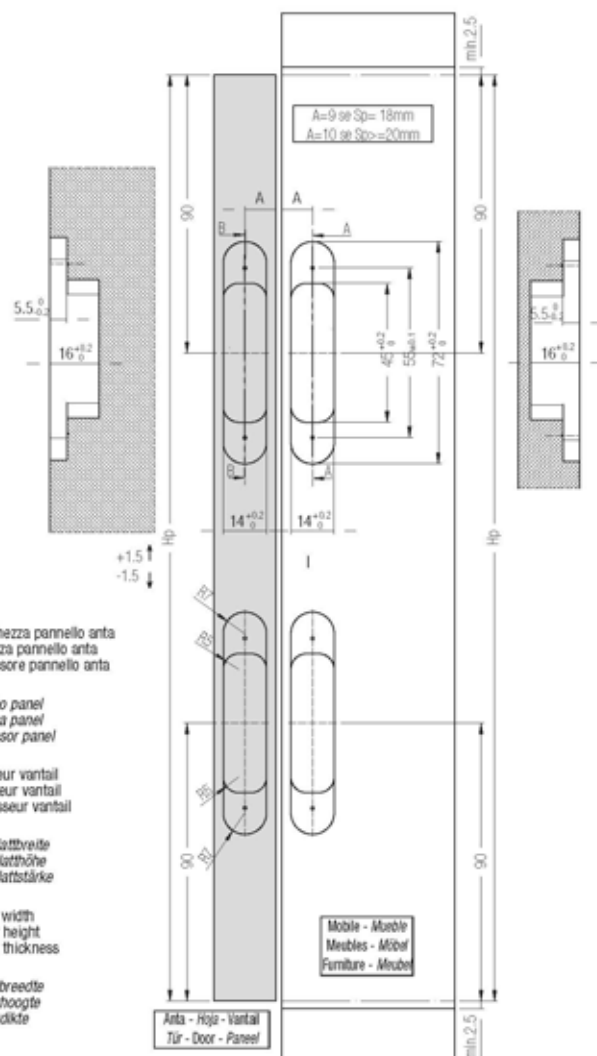
- K 6100 CS
- K 61 COVER CS (included)
- K 6100 BR
- K 61 COVER NR (included)

- K 61 COVER BI
- K 61 COVER CS
- K 61 COVER MR
- K 61 COVER NR
- K 61 COVER RO

- Accessori Accesorios
- Accessoires Zubehör
- Accessoires Accessoires

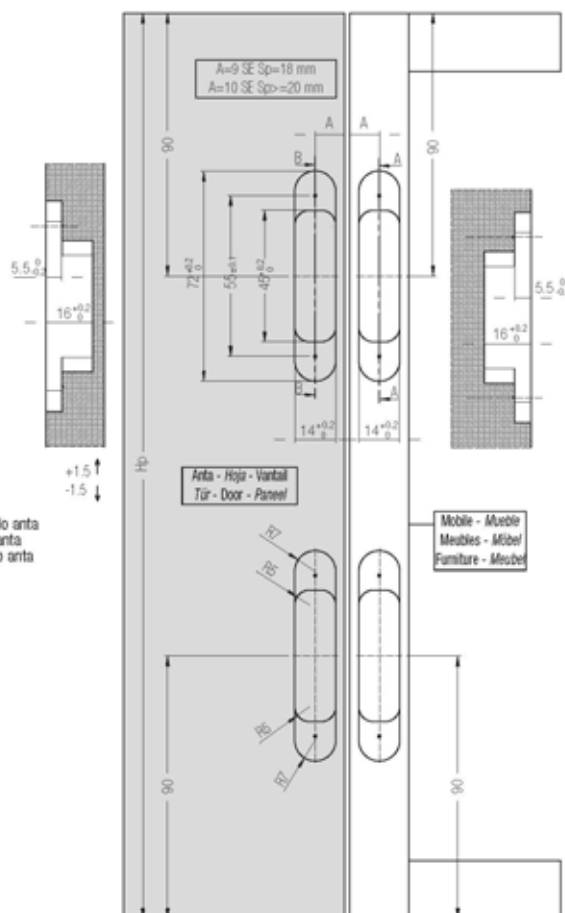
- I Accessori E Accesorios F Accessoires
 D Zubehöre GB Accessories NL Accessoires

- I Applicazione 1: all'interno del box
 E Aplicación 1: en el canto de la hoja
 F Application 1: à l'intérieur du box
 D Anwendungsmöglichkeit 1: Einbau innerhalb des Gehäuses
 GB Application 1: mounting inside the box
 NL Toepassing 1: montage binnen het vak



- I Lp= Larghezza pannello anta
 Hp= Altezza pannello anta
 Sp= Spessore pannello anta
 E Lp= Ancho panel
 Hp= Altura panel
 Sp= Espesor panel
 F Lp= Largeur vantail
 Hp= Hauteur vantail
 Sp= Épaisseur vantail
 D Lp= Türblattbreite
 Hp= Türblatthöhe
 Sp= Türblattstärke
 GB Lp= Door width
 Hp= Door height
 Sp= Door thickness
 NL Lp= Deurbreedte
 Hp= Deurhoogte
 Sp= Deurdikte

- I Applicazione 2: all'esterno del box
 E Aplicación 2: en el exterior de la hoja
 F Application 2: à l'extérieur du box
 D Anwendungsmöglichkeit 2: Einbau außerhalb des Gehäuses
 GB Application 2: mounting outside the box
 NL Toepassing 2: de montage van buiten het vak



- I Lp= Larghezza pannello anta
 Hp= Altezza pannello anta
 Sp= Spessore pannello anta
 E Lp= Ancho panel
 Hp= Altura panel
 Sp= Espesor panel
 F Lp= Largeur vantail
 Hp= Hauteur vantail
 Sp= Épaisseur vantail
 D Lp= Türblattbreite
 Hp= Türblatthöhe
 Sp= Türblattstärke
 GB Lp= Door width
 Hp= Door height
 Sp= Door thickness
 NL Lp= Deurbreedte
 Hp= Deurhoogte
 Sp= Deurdikte

I Testata su porte: spessore min. 18 mm - altezza max. 2100 mm - larghezza max. 600 mm. Per dimensioni superiori a quelle indicate ed applicazioni con accessori aggiuntivi, chiedere fattibilità a Krona Koblentz.
 E Ensayada con puertas de espesor mío. 18 mm - altura máx. 2100 mm - anchura máx. 600 mm. Para dimensiones superiores a las indicadas y aplicaciones conjuntas con accesorios, pedir factibilidad a Krona Koblentz.
 F Testée sur portes - épaisseur min. 18 mm - hauteur max. 2100 mm - largeur max. 600 mm. Pour des dimensions supérieures à celles indiquées et à des applications avec accessoires complémentaires, demander la faisabilité à Krona Koblentz.
 D Getestet an Türen: min. Stärke 18 mm - max. Höhe 2100 mm - Breite max. 600 mm. Für größere Abmessungen als die angegebenen sowie Anwendungen mit zusätzlichem Zubehör, bitte Machbarkeit bei Krona Koblentz anfragen.
 GB Tested on doors: thickness min. 18 mm - height max. 2100 mm - width max. 600 mm. For the larger dimension than those indicated and additional accessories application, please ask Krona Koblentz for feasibility.
 NL Getest op deuren: min. Dikte 18 mm - max. Hoogte 2100 mm - Breedte max. 600 mm. Voor langere hoogten dan aangegeven en de extra accessoires die te gebruiken zijn, kunt u bij Krona Koblentz naar de mogelijkheid vragen.

Legend

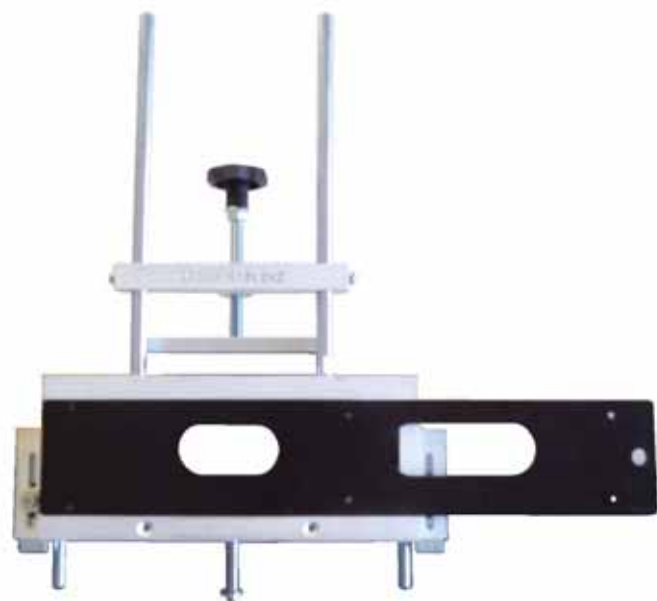
-  CL (Polished Chrome)
-  CS (Satin Chrome)
-  NL (Polished Nickel)
-  NS (Satin Nickel)
-  OL / OR (Polished Gold)
-  OS (Satin Gold)
-  BI (White)
-  NO / NR (Black)
-  EA (Steel Effect)

-  BR (Bronze)
-  BS (Brushed Bronze)
-  IBU (Imperial Bronze)
-  OTL (Polished Brass)
-  OTS (Satin Brass)
-  AS (Satin Steel)
-  MR (Brown)
-  RO (Red)

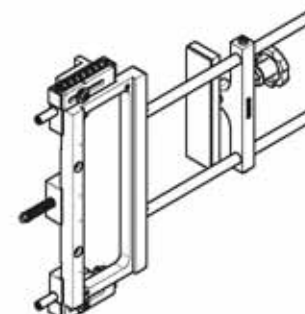
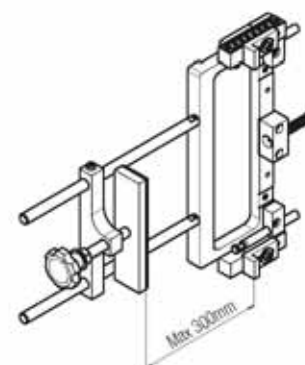
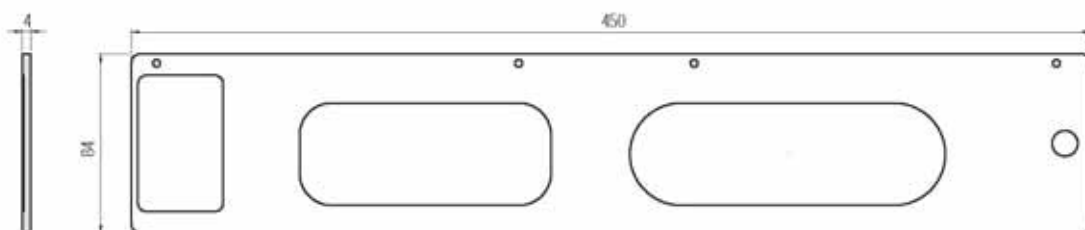
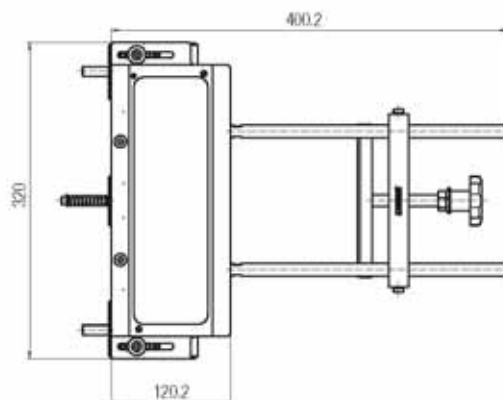
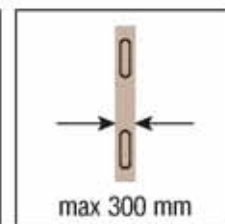
- ① **Accessori**
- ② ***Accesorios***
- ③ **Accessoires**
- ④ ***Zubehöre***
- ⑤ **Accessories**
- ⑥ ***Accessoires***

DIMA UNIVERSAL

Dima universale per cerniere a scomparsa Koblenz - *Plantilla universal para bisagras ocultas Koblenz*
 Dima gabarit universel pour charnières invisibles Koblenz - *Universalfräsrahmen für verdeckte Koblenz Türbänder*
 Universal template for Koblenz concealed hinges - *Universele mal voor Koblenz verdeckte scharnieren*



Realizzazione
Version
ALLUMINIO
ALUMINIUM



DIMA UNIVERSAL		Art. K.DIMA	
Model:	Code:	\emptyset	L
Atomika K8000	Art. K.800	16 mm	30 mm
Atomika Slim K8060	Art. K.806	16 mm	30 mm
Atomika Karakter K8080	Art. K.508	16 mm	30 mm
Kubica K6360/38	Art. K.636 38	16 mm	30 mm
Kubica K6360/45	Art. K.636 45	16 mm	30 mm
Kubica K2760	Art. K.276	16 mm	30 mm
Kubica K2400	Art. K.240	16 mm	30 mm
Kubica K5080	Art. K.508	16 mm	30 mm
Kubica K6200	Art. K.620	16 mm	30 mm
Kubica K6700	Art. K.670	16 mm	30 mm
Kubica K6300	Art. K.630	12 mm	30 mm
Kubica 27 K2700	Art. K.270	16 mm	30 mm
Kubica KubiKuadra K3000	Art. K.300	16 mm	30 mm
Kubica KubiCenter K6400	Art. K.640	16 mm	30 mm
KuBi7 K7000	Art. K.700	16 mm	30 mm
KuBi7 K7080	Art. K.708	16 mm	30 mm
KuBi7 K7120	Art. K.712	16 mm	30 mm
KuBi7 K7200	Art. K.720	16 mm	30 mm
KuBi7 Kubica Twist K2000	Art. K.708	16 mm	30 mm
KuBi7 KINOX K7316	Art. K.708	16 mm	30 mm
Kombi 3 K1000	Art. K.100	16 mm	30 mm
Kombi 30 K1000 S30	Art. K.100.S30	16 mm	30 mm
Kubikina K6100	Art. K.610	10 mm	30 mm
Frese consigliate - <i>Fresas recomendadas</i> - Fraises conseillées Empfohlene Fräser - <i>Suggested milling sets</i> - Aanbevolen frezenset			
\emptyset 16 mm	L = 110 mm	CMT 177.161.11	
\emptyset 12 mm	L = 100 mm	CMT 177.121.11	
\emptyset 10 mm	L = 90 mm	CMT 177.100.11	

K.DIMA