

Slim Drawer System SB1900 - C01

Slim box, height 167mm



SOFT-CLOSING

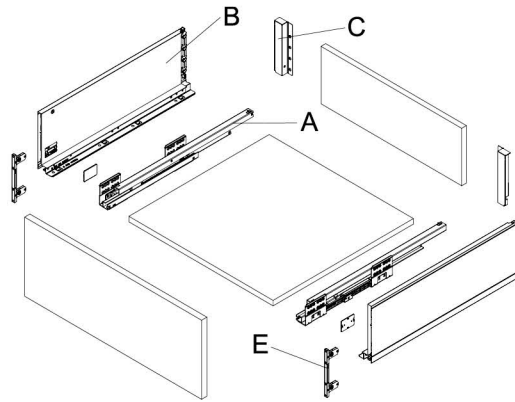
- Basic, height 167mm.
- Loading capacity: 40Kg.
- Wide range of depth from 270mm to 550mm.
- Two colors in stocking, black and white. Other colors on request.
- Front convenient fine adjustment mechanism integrated.
Up & down ± 1.5 mm, left & right ± 1.5 mm.
- Synchronization mechanism of the slides stabilizes the sliding motion and eliminates noises from the living space.



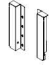


SB1900-C01

Length	Cover	
	White	Black
270mm	554.311.010	554.321.010
300mm	554.311.011	554.321.011
350mm	554.311.012	554.321.012
400mm	554.311.013	554.321.013
450mm	554.311.014	554.321.014
500mm	554.311.015	554.321.015
550mm	554.311.016	554.321.016

Product information

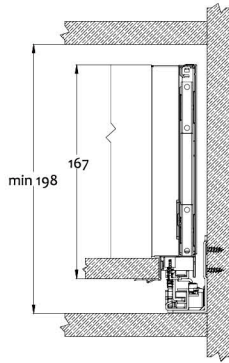
Components view



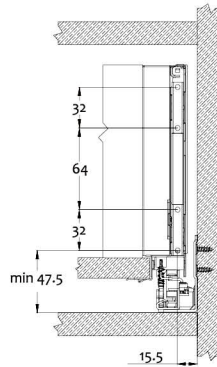
A	SS1801-S Drawer slide L/R	
A ▶ Page - B.102		
B	SS1900-B167 Side wall L/R	
C	SS1900-L167 Back panel connector L/R	
B, C ▶ Page - B.53		
E	SS1900-TC1 Front connector	
	SS1900-TC2 Quick mount front connector	
E ▶ Page - B.54		

Mounting

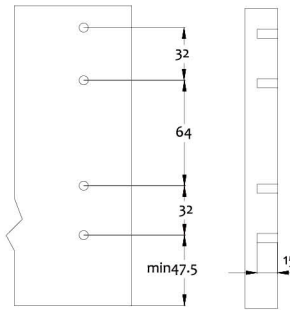
Cabinet space requirements



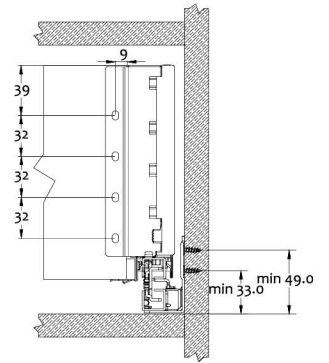
Front connector panel installation dimensions



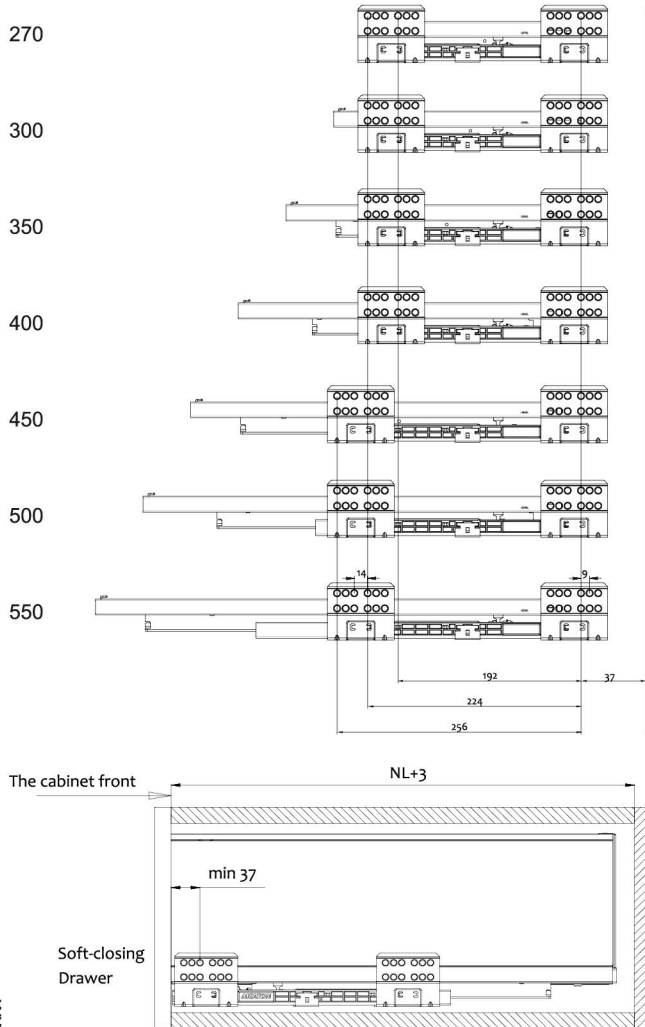
Front panel drilling dimensions



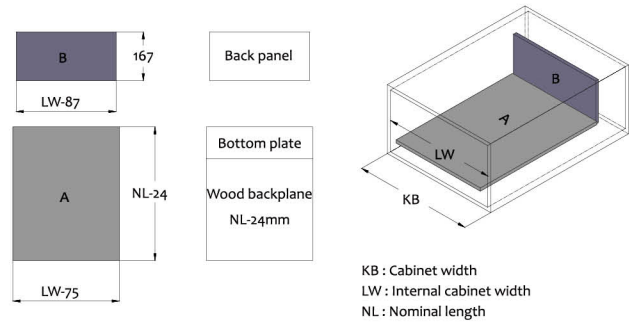
Back panel installation dimensions



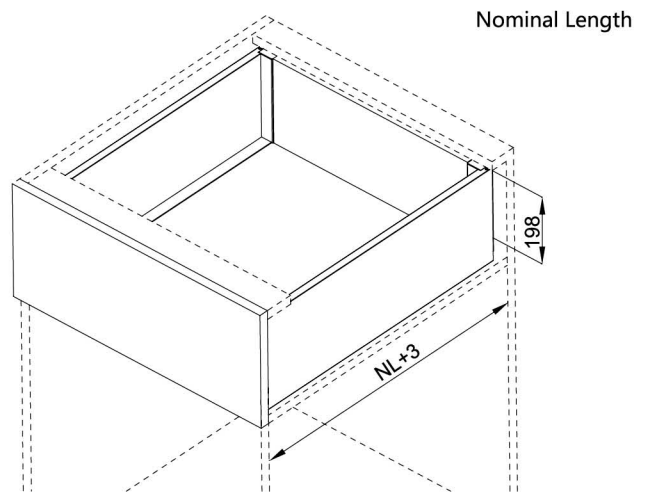
Drawer slide installation dimensions



Cutting dimensions for back panel



Space required



Slim Drawer System SB1900 - C02

Slim box with extended side square railings, height 167mm



SOFT-CLOSING

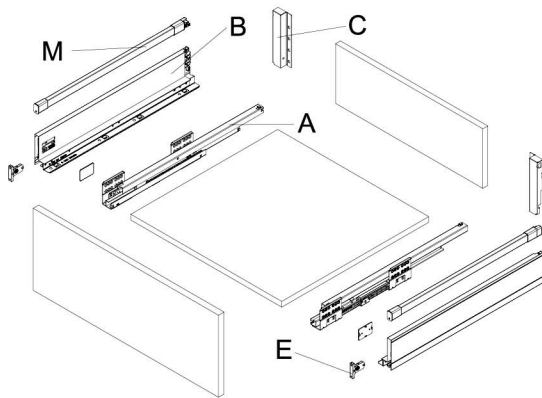
- Basic + rectangular side railings, height 167mm.
- Loading capacity: 40Kg.
- Wide range of depth from 270mm to 550mm.
- Two colors in stocking, black and white. Other colors on request.
- Front convenient fine adjustment mechanism integrated.
Up & down ± 1.5 mm, left & right ± 1.5 mm.
- Synchronization mechanism of the slides stabilizes the sliding motion and eliminates noises from the living space.




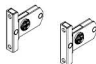


SB1900-C02

Length	Cover	
	White	Black
270mm	554.311.020	554.321.020
300mm	554.311.021	554.321.021
350mm	554.311.022	554.321.022
400mm	554.311.023	554.321.023
450mm	554.311.024	554.321.024
500mm	554.311.025	554.321.025
550mm	554.311.026	554.321.026

Product information

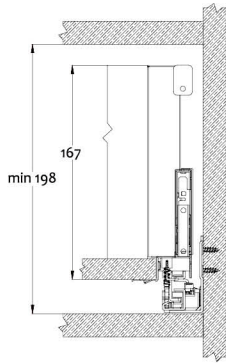
Components view



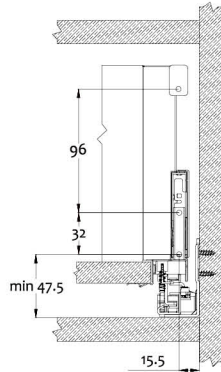
A	SS1801-S Drawer slide L/R	
A ► Page - B.102		
B	SS1900-B86 Side wall L/R	
B ► Page - B.52		
C	SS1900-L167K Back panel connector L/R	
C ► Page - B.53		
E	SS1900-TA1 Front connector	
	SS1900-TA2 Quick mount front connector	
E ► Page - B.54		
M	SS1801-12 Side rectangular railings	
M ► Page - B.105		

Mounting

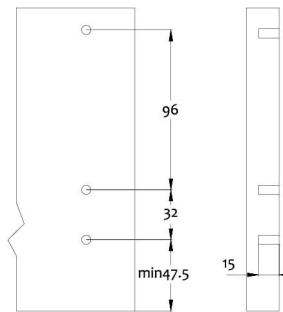
Cabinet space requirements



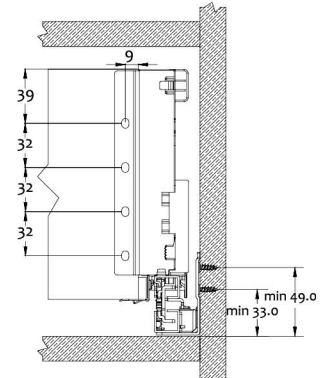
Front connector panel installation dimensions



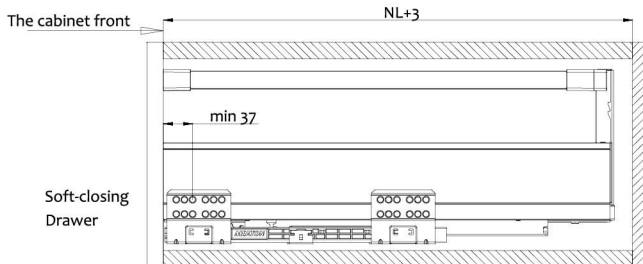
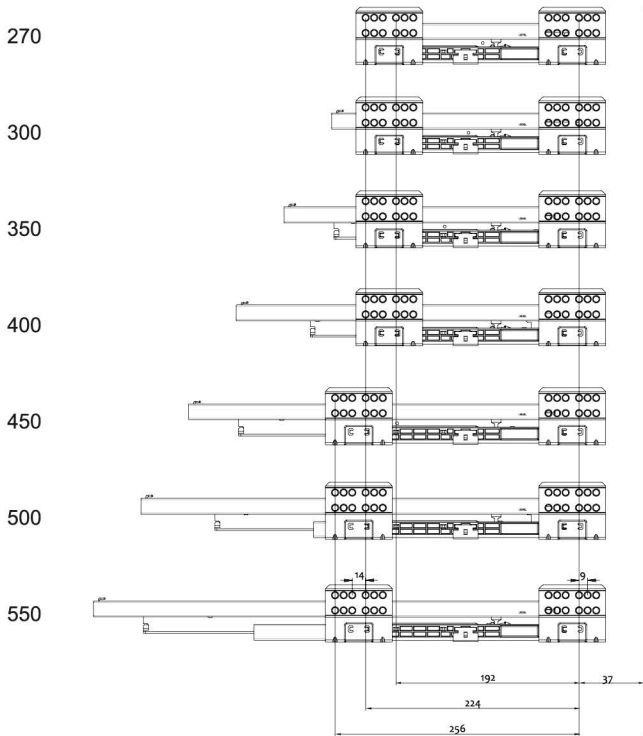
Front panel drilling dimensions



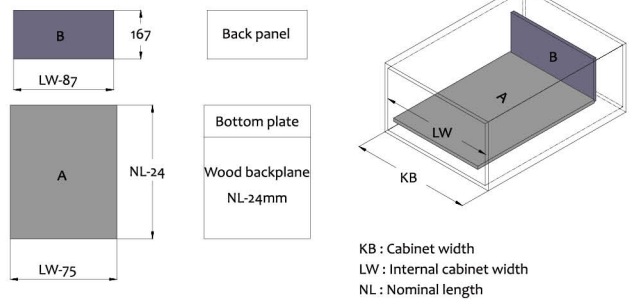
Back panel installation dimensions



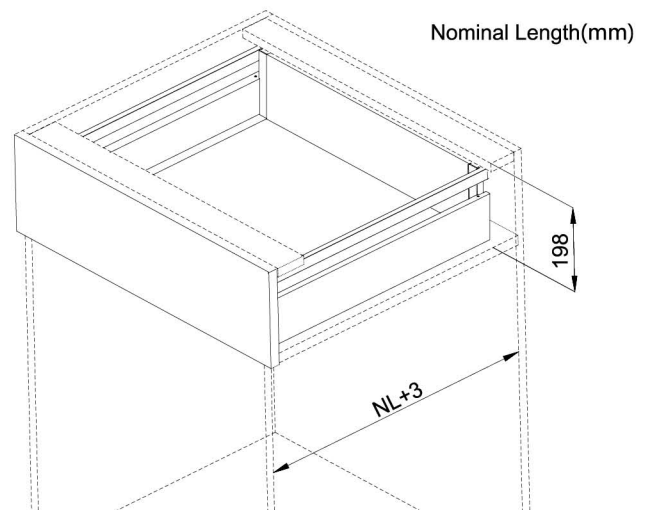
Drawer slide installation dimensions



Cutting dimensions for back panel



Space required



Slim Drawer System SB1900 - C03

Inner box with extended front low glass, height 167mm



SOFT-CLOSING

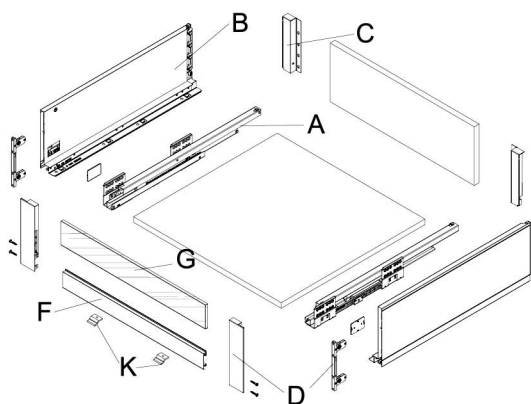
- Inner drawer, height 167mm.
- Loading capacity: 40Kg.
- Wide range of depth from 270mm to 550mm.
- Two colors in stocking, black and white. Other colors on request.
- Front convenient fine adjustment mechanism integrated.
Up & down ± 1.5 mm, left & right ± 1.5 mm.
- Synchronization mechanism of the slides stabilizes the sliding motion and eliminates noises from the living space.

SB1900-C03

Length	Cover	
	White	Black
270mm	554.311.030	554.321.030
300mm	554.311.031	554.321.031
350mm	554.311.032	554.321.032
400mm	554.311.033	554.321.033
450mm	554.311.034	554.321.034
500mm	554.311.035	554.321.035
550mm	554.311.036	554.321.036

Product information

Components view



G SS1900-20-C


Material - aluminium alloy

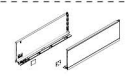
Inner drawer extended front panel


Color - White / Black

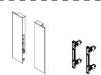
Automatically cut - the cabinet body width LW - 85

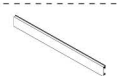
Length	Cover	
	White	Black
600mm	554.905.361	554.905.362
800mm	554.905.381	554.905.382
900mm	554.905.391	554.905.392
1000mm	554.905.301	554.905.302
1200mm	554.905.321	554.905.322

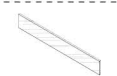
- A SS1801-S**
 Drawer slide L/R

 A ► Page - B.102

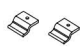
- B SS1900-B167**
 Side wall L/R


- C SS1900-L167**
 Back panel connector L/R

 B, C ► Page - B.52

- D SS1900-F167L**
 Inner drawer front connector (low glass) L/R

 D ► Page - B.53

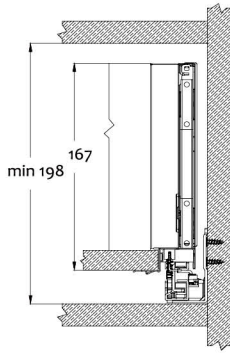
- F SS1900-04**
 Inner drawer front panel


- G1 SS1900-20-CS/ SS1900-20-CT**
 Inner drawer extended front low glass

 F, G1 ► Page - B.55

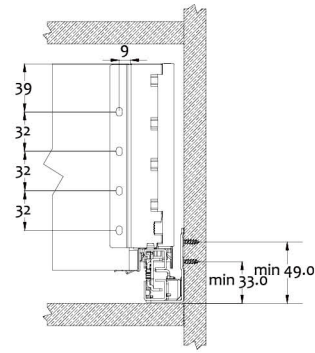
- K SS1800-37**
 Front panel bracket to bottom panel

 K ► Page - B.105

Mounting

Cabinet space requirements

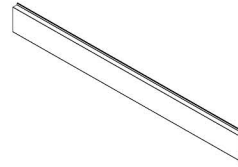


Back panel installation dimensions



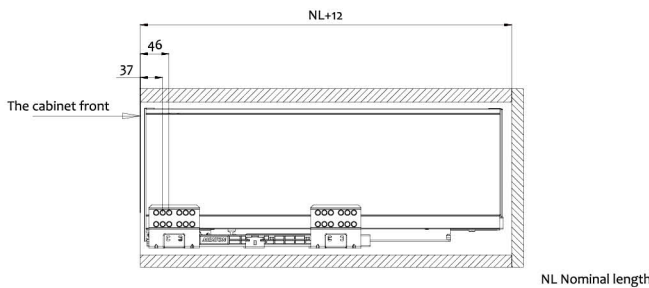
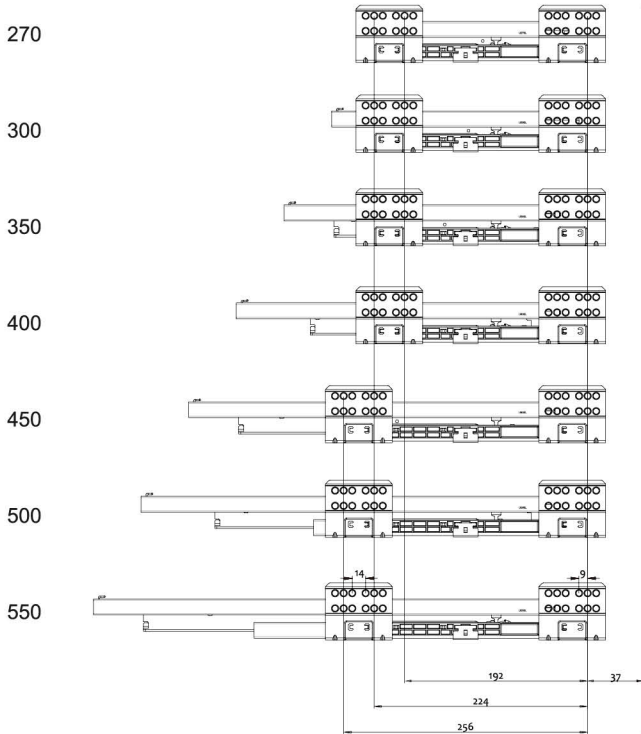
Internal front panel DIY cut

Planar

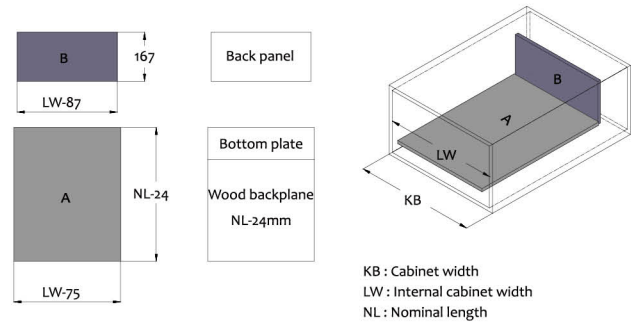


DIY cut: LW - 98mm

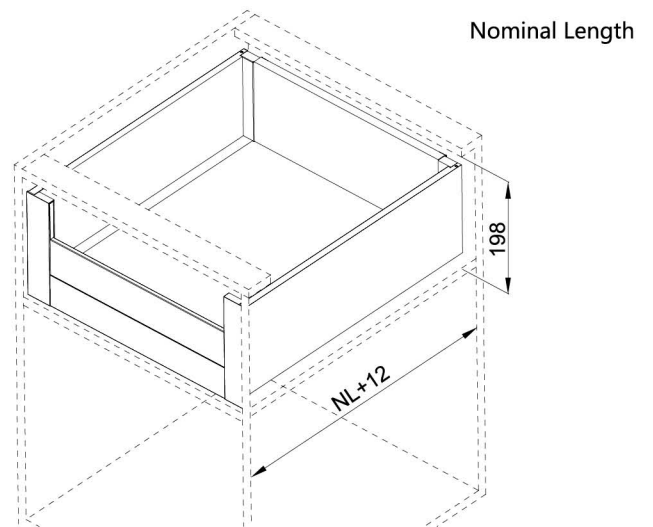
Drawer slide installation dimensions



Cutting dimensions for back panel



Space required



Slim Drawer System SB1900 - C04

Inner box with with extended front tall glass, height 167mm



SOFT-CLOSING

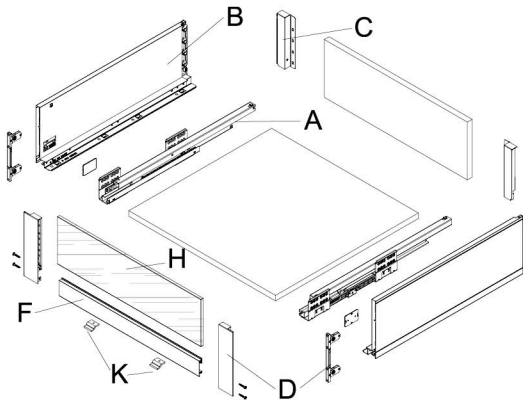
- Inner drawer, height 167mm.
- Loading capacity: 40Kg.
- Wide range of depth from 270mm to 550mm.
- Two colors in stocking, black and white. Other colors on request.
- Front convenient fine adjustment mechanism integrated.
Up & down ± 1.5 mm, left & right ± 1.5 mm.
- Synchronization mechanism of the slides stabilizes the sliding motion and eliminates noises from the living space.

SB1900-C04

Length	Cover	
	White	Black
270mm	554.311.040	554.321.040
300mm	554.311.041	554.321.041
350mm	554.311.042	554.321.042
400mm	554.311.043	554.321.043
450mm	554.311.044	554.321.044
500mm	554.311.045	554.321.045
550mm	554.311.046	554.321.046

Product information

Components view



H SS1900-21-C

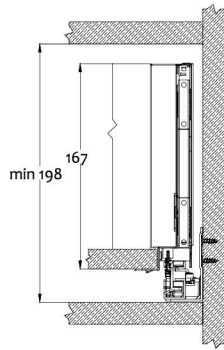
Material - aluminium alloy
 Inner drawer extended front panel
 Color - White / Black
 Automatically cut - the cabinet body width LW - 85

Length	Cover	
	White	Black
600mm	554.913.361	554.913.362
800mm	554.913.381	554.913.382
900mm	554.913.391	554.913.392
1000mm	554.913.301	554.913.302
1200mm	554.913.321	554.913.322

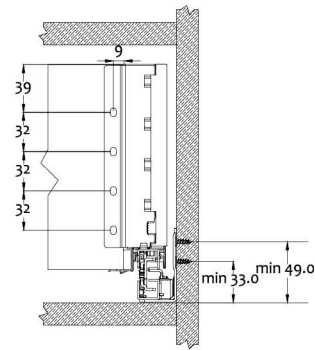
- A** **SS1801-S**
Drawer slide L/R
A ► Page - B.102
- B** **SS1900-B167**
Side wall L/R
B, C ► Page - B.52
- C** **SS1900-L167**
Back panel connector L/R
B, C ► Page - B.52
- D** **SS1900-F167G**
Inner drawer front connector (tall glass) L/R
D ► Page - B.53
- F** **SS1900-04**
Inner drawer front panel
F, H1 ► Page - B.55
- H1** **SS1900-21-CS/ SS1900-21-CT**
Inner drawer extended front glass
F, H1 ► Page - B.55
- K** **SS1800-37**
Front panel bracket to bottom panel
K ► Page - B.105

Mounting

Cabinet space requirements



Back panel installation dimensions



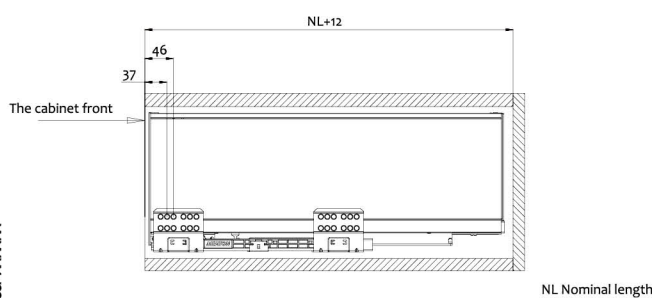
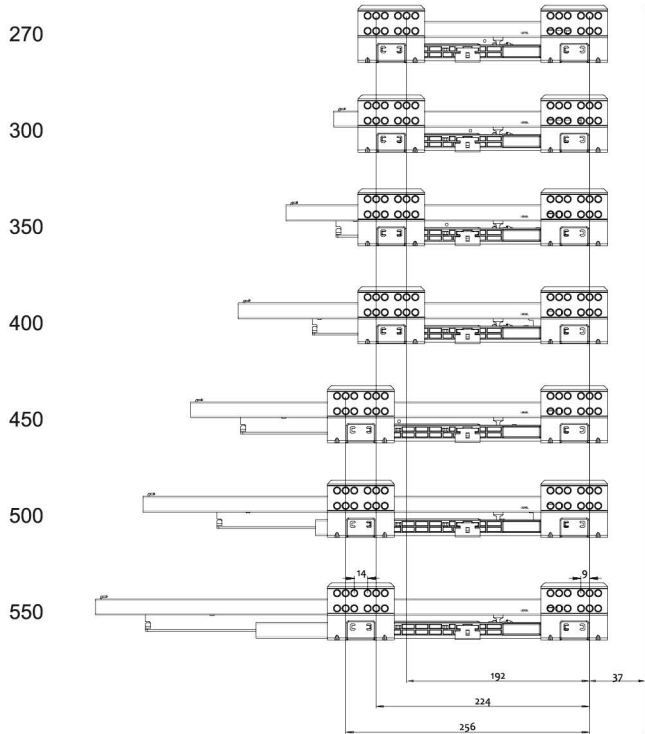
Internal front panel DIY cut

Planar

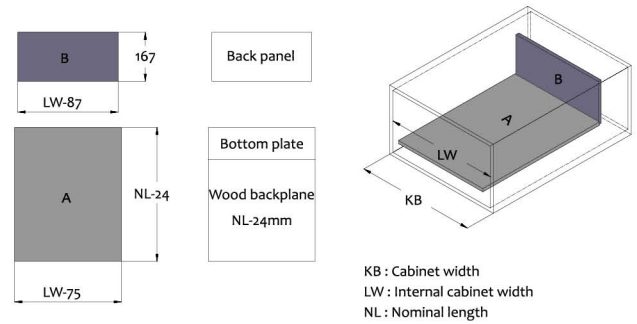


DIY cut: LW - 98mm

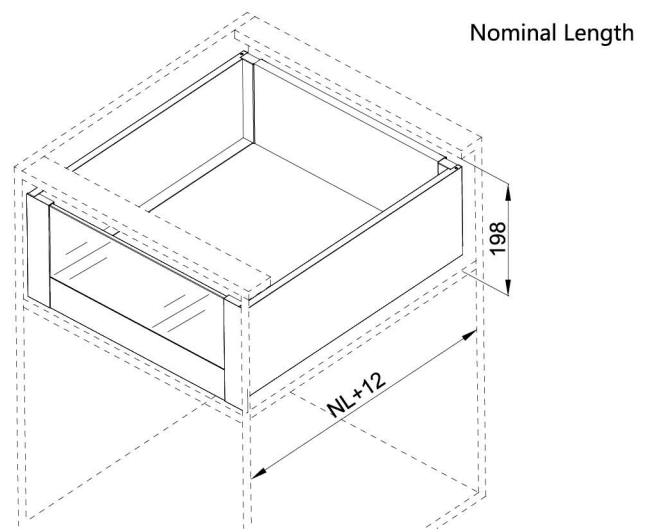
Drawer slide installation dimensions



Cutting dimensions for back panel



Space required



Slim Drawer System SB1900 - C05/ SB1900 - C05H

Inner box with side square railings and front panel, height 167mm



SOFT-CLOSING

- Inner drawer, height 167mm.
- Loading capacity: 40Kg.
- Wide range of depth from 270mm to 550mm.
- Two colors in stocking, black and white. Other colors on request.
- Front convenient fine adjustment mechanism integrated.
Up & down ± 1.5 mm, left & right ± 1.5 mm.
- Synchronization mechanism of the slides stabilizes the sliding motion and eliminates noises from the living space.

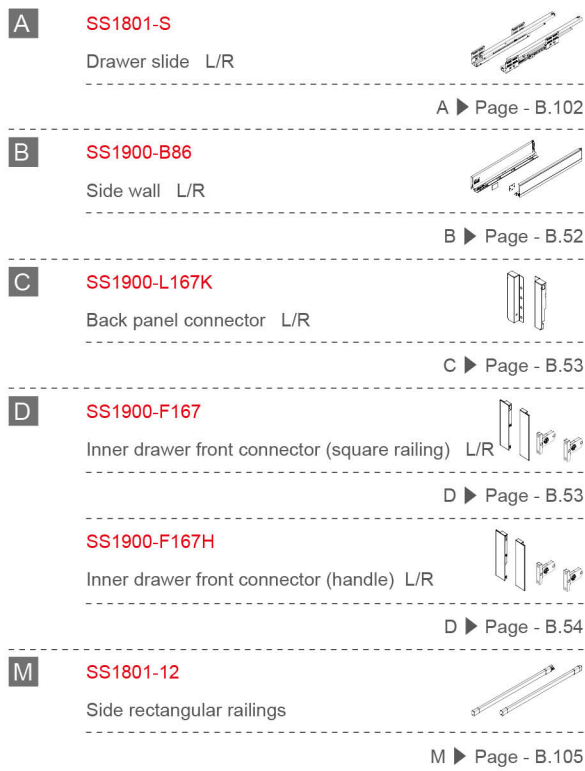
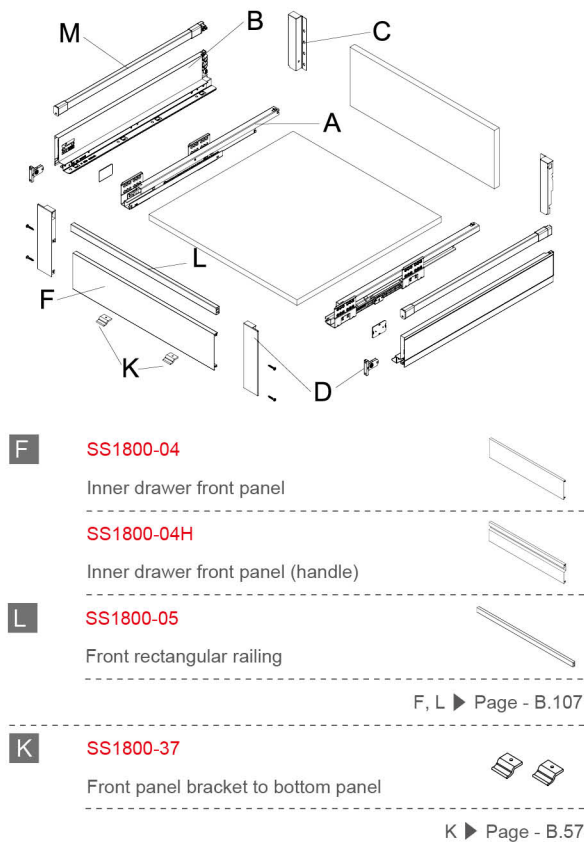
SB1900-C05

SB1900-C05H

Length	Cover		Length	Cover	
	White	Black		White	Black
270mm	554.311.050	554.321.050	270mm	554.311.150	554.321.150
300mm	554.311.051	554.321.051	300mm	554.311.151	554.321.151
350mm	554.311.052	554.321.052	350mm	554.311.152	554.321.152
400mm	554.311.053	554.321.053	400mm	554.311.153	554.321.153
450mm	554.311.054	554.321.054	450mm	554.311.154	554.321.154
500mm	554.311.055	554.321.055	500mm	554.311.155	554.321.155
550mm	554.311.056	554.321.056	550mm	554.311.156	554.321.156

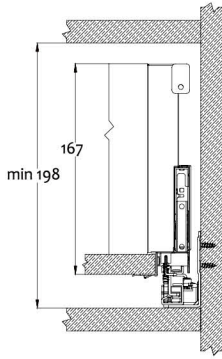
Product information

Components view

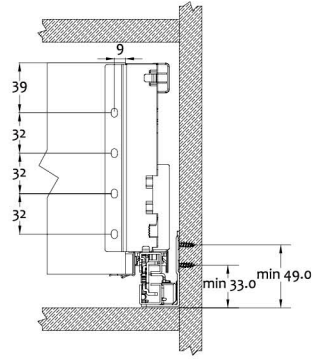


Mounting

Cabinet space requirements

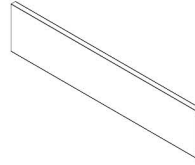


Back panel installation dimensions

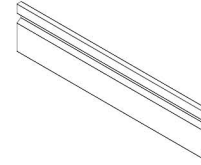


Internal front panel DIY cut

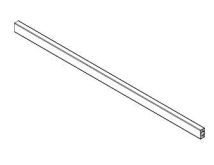
Planar



Handle



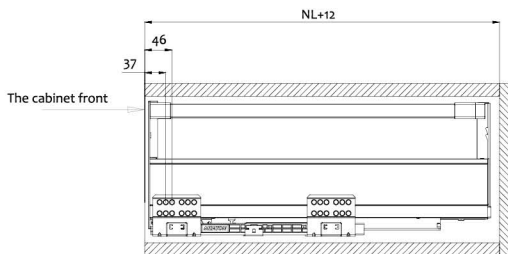
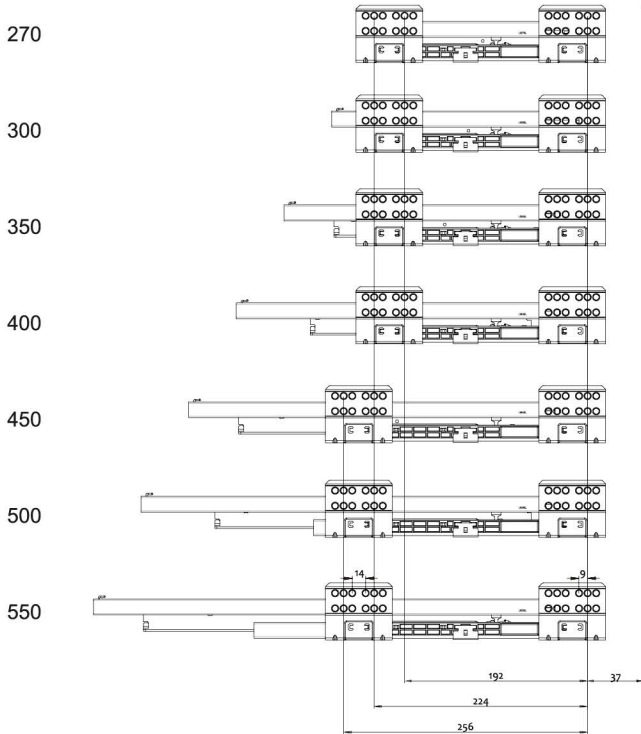
Square rail



DIY cut: LW - 98mm

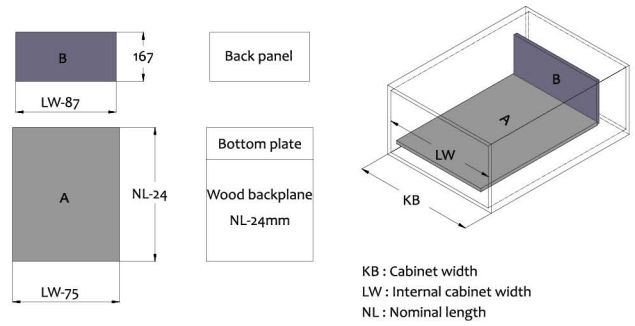
DIY cut: LW - 85mm

Drawer slide installation dimensions

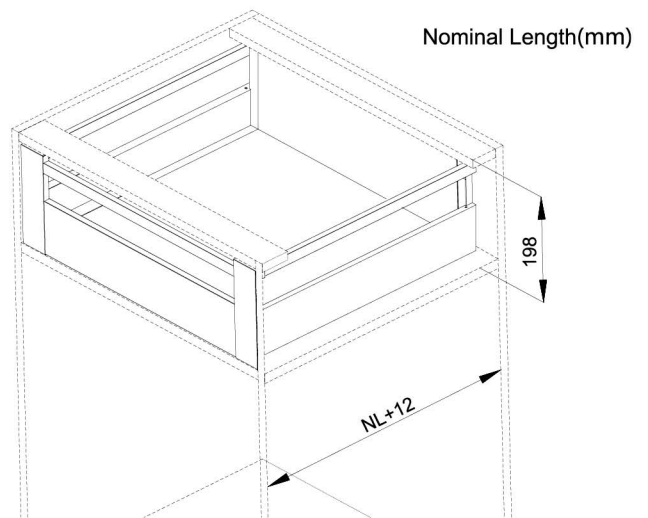


NL Nominal length

Cutting dimensions for back panel



Space required



Slim Drawer System SB1900 - C06

Inner box with side square railings and extended front low glass, height 167mm



SOFT-CLOSING

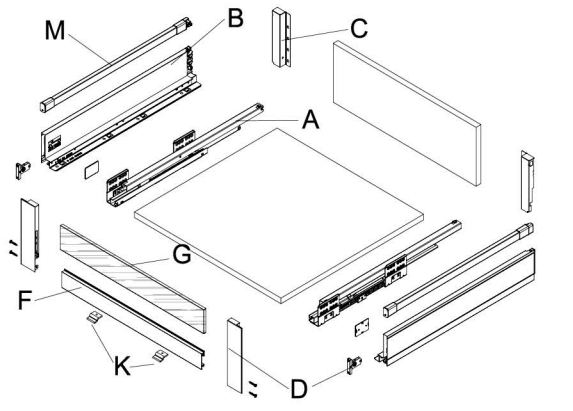
- Inner drawer, height 167mm.
- Loading capacity: 40Kg.
- Wide range of depth from 270mm to 550mm.
- Two colors in stocking, black and white. Other colors on request.
- Front convenient fine adjustment mechanism integrated.
Up & down ± 1.5 mm, left & right ± 1.5 mm.
- Synchronization mechanism of the slides stabilizes the sliding motion and eliminates noises from the living space.

SB1900-C06

Length	Cover	
	White	Black
270mm	554.311.060	554.321.060
300mm	554.311.061	554.321.061
350mm	554.311.062	554.321.062
400mm	554.311.063	554.321.063
450mm	554.311.064	554.321.064
500mm	554.311.065	554.321.065
550mm	554.311.066	554.321.066

Product information

Components view



G SS1900-20-C




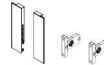




Material - aluminium alloy

Inner drawer extended front panel

Color - White / Black

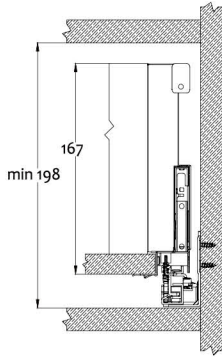
Automatically cut - the cabinet body width LW - 85

Length	Cover	
	White	Black
600mm	554.905.361	554.905.362
800mm	554.905.381	554.905.382
900mm	554.905.391	554.905.392
1000mm	554.905.301	554.905.302
1200mm	554.905.321	554.905.322

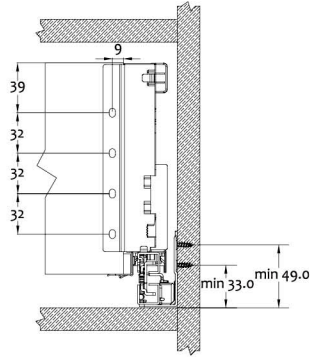
- A** **SS1801-S**
Drawer slide L/R

A ► Page - B.102
- B** **SS1900-B86**
Side wall L/R

B ► Page - B.52
- C** **SS1900-L167K**
Back panel connector L/R

- D** **SS1900-F167L**
Inner drawer front connector (low glass) L/R

C, D ► Page - B.53
- F** **SS1900-04**
Inner drawer front panel

- G1** **SS1900-20-CS/ SS1900-20-CT**
Inner drawer extended front low glass

F, G1 ► Page - B.55
- M** **SS1801-12**
Side rectangular railings

- K** **SS1800-37**
Front panel bracket to bottom panel

M, K ► Page - B.105

Mounting

Cabinet space requirements

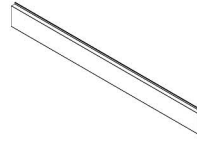


Back panel installation dimensions



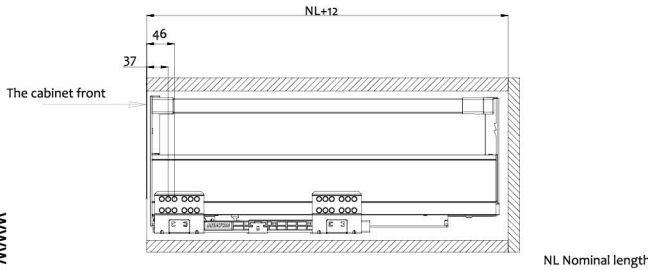
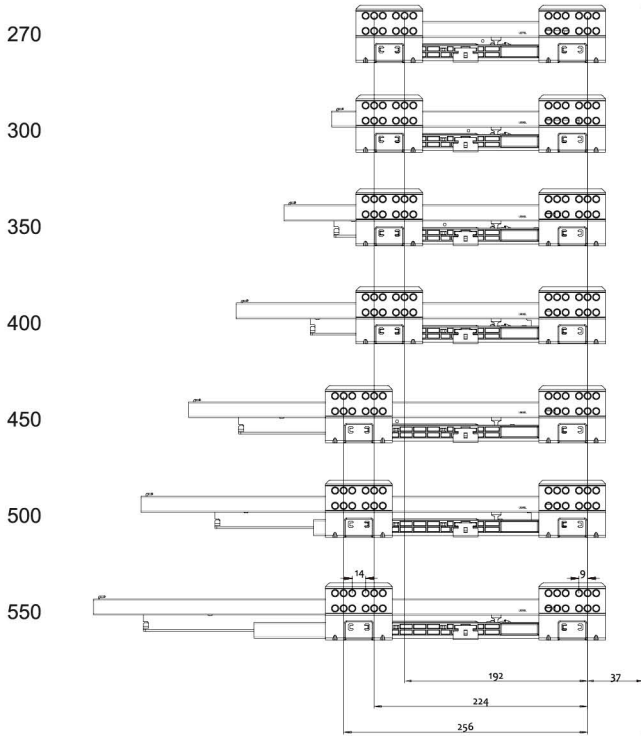
Internal front panel DIY cut

Planar

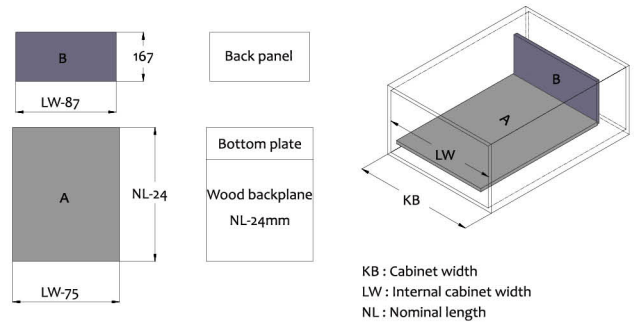


DIY cut: LW - 98mm

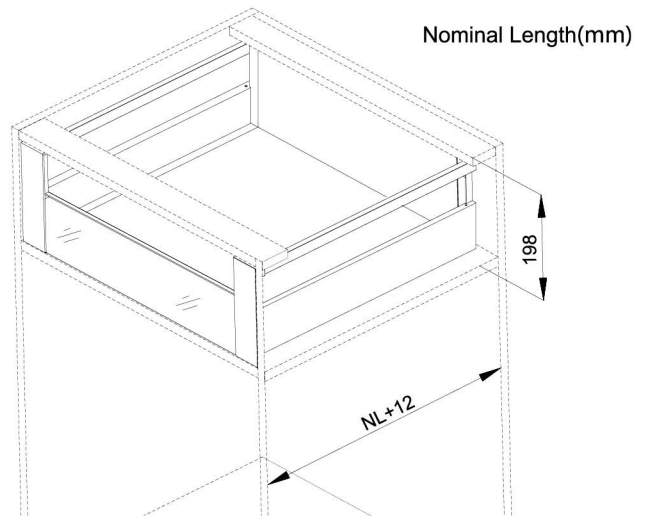
Drawer slide installation dimensions



Cutting dimensions for back panel



Space required



Slim Drawer System SB1900 - C07

Inner box with side square railings and extended front tall glass, height 167mm



SOFT-CLOSING

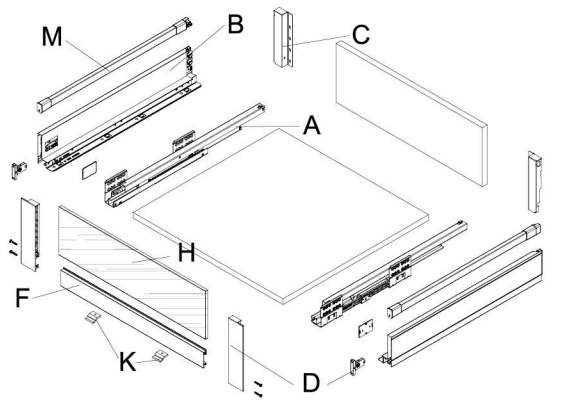
- Inner drawer, height 167mm.
- Loading capacity: 40Kg.
- Wide range of depth from 270mm to 550mm.
- Two colors in stocking, black and white. Other colors on request.
- Front convenient fine adjustment mechanism integrated.
Up & down ± 1.5 mm, left & right ± 1.5 mm.
- Synchronization mechanism of the slides stabilizes the sliding motion and eliminates noises from the living space.

SB1900-C07

Length	Cover	
	White	Black
270mm	554.311.070	554.321.070
300mm	554.311.071	554.321.071
350mm	554.311.072	554.321.072
400mm	554.311.073	554.321.073
450mm	554.311.074	554.321.074
500mm	554.311.075	554.321.075
550mm	554.311.076	554.321.076

Product information

Components view



H SS1900-21-C

Material - aluminium alloy

Inner drawer extended front panel

Color - White / Black

Automatically cut - the cabinet body width LW - 85

Length	Cover	
	White	Black
600mm	554.913.361	554.913.362
800mm	554.913.381	554.913.382
900mm	554.913.391	554.913.392
1000mm	554.913.301	554.913.302
1200mm	554.913.321	554.913.322

- A SS1801-S**
 Drawer slide L/R

 A ► Page - B.102
- B SS1900-B86**
 Side wall L/R

 B ► Page - B.52
- C SS1900-L167K**
 Back panel connector L/R

- D SS1900-F167G**
 Inner drawer front connector (tall glass) L/R

 C, D ► Page - B.53
- F SS1900-04**
 Inner drawer front panel

- H1 SS1900-21-CS/ SS1900-21-CT**
 Inner drawer extended front tall glass

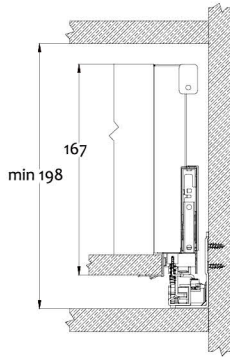
 F, H1 ► Page - B.55
- M SS1801-12**
 Side rectangular railings

- K SS1800-37**
 Front panel bracket to bottom panel

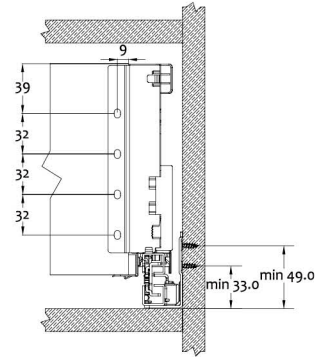
 M, K ► Page - B.105

Mounting

Cabinet space requirements



Back panel installation dimensions



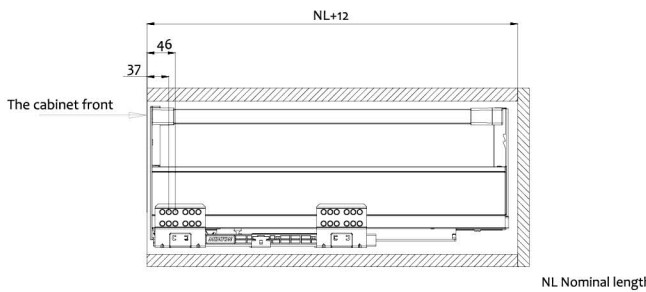
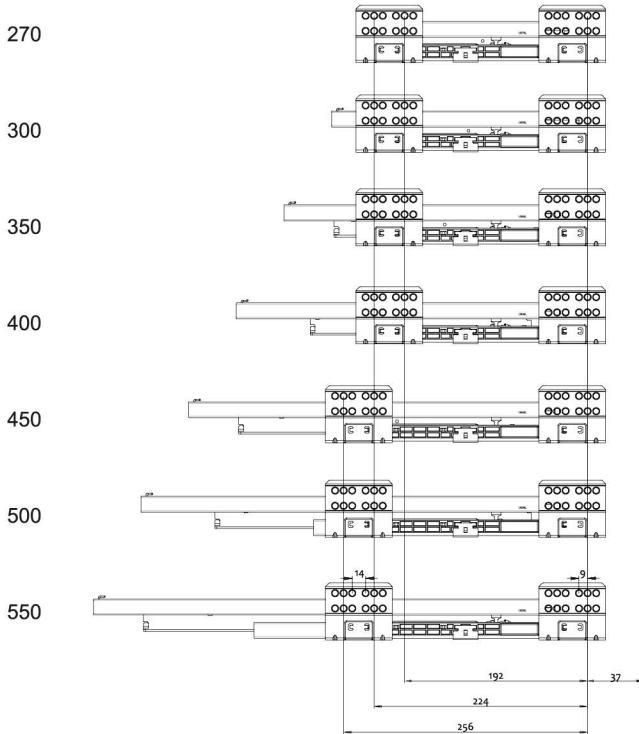
Internal front panel DIY cut

Planar

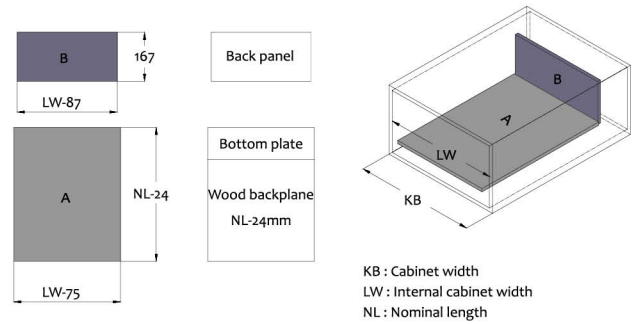


DIY cut: LW - 98mm

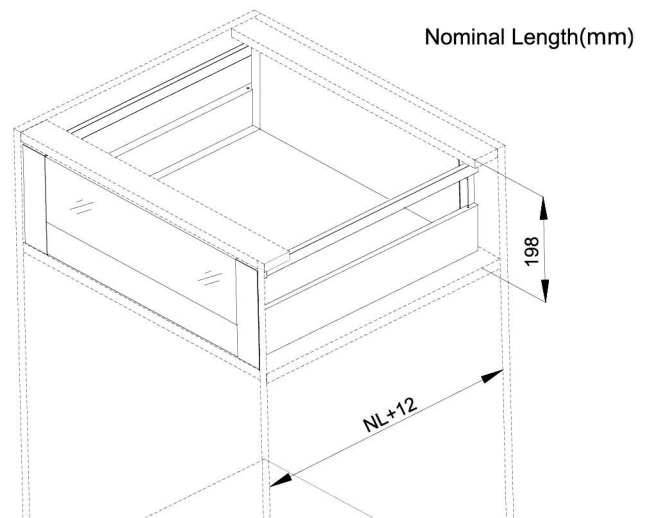
Drawer slide installation dimensions



Cutting dimensions for back panel



Space required





Inner box with front panel and square railing, height 167mm



SOFT-CLOSING

- Inner drawer, height 167mm.
- Loading capacity: 40Kg.
- Wide range of depth from 270mm to 550mm.
- Two colors in stocking, black and white. Other colors on request.
- Front convenient fine adjustment mechanism integrated.
Up & down ± 1.5 mm, left & right ± 1.5 mm.
- Synchronization mechanism of the slides stabilizes the sliding motion and eliminates noises from the living space.

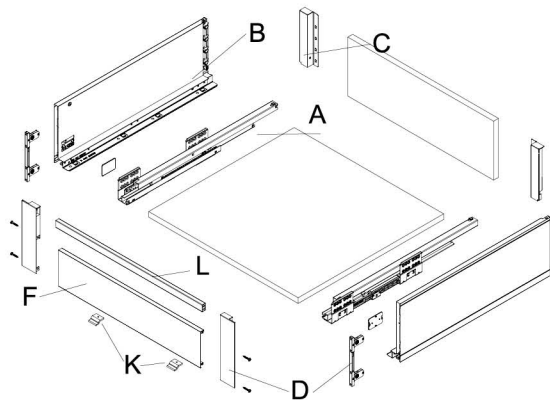
SB1900-C08

SB1900-C08H

Length	Cover		Length	Cover	
	White	Black		White	Black
270mm	554.311.080	554.321.080	270mm	554.311.180	554.321.180
300mm	554.311.081	554.321.081	300mm	554.311.181	554.321.181
350mm	554.311.082	554.321.082	350mm	554.311.182	554.321.182
400mm	554.311.083	554.321.083	400mm	554.311.183	554.321.183
450mm	554.311.084	554.321.084	450mm	554.311.184	554.321.184
500mm	554.311.085	554.321.085	500mm	554.311.185	554.321.185
550mm	554.311.086	554.321.086	550mm	554.311.186	554.321.186

Product information

Components view

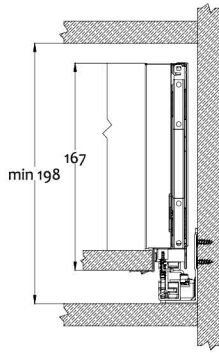


K **SS1800-37**
Front panel bracket to bottom panel
K ▶ Page - B.105

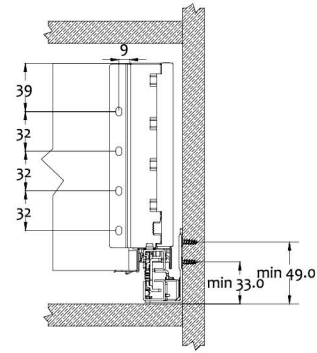
- A** **SS1801-S**
Drawer slide L/R
A ▶ Page - B.102
- B** **SS1900-B167**
Side wall L/R
- C** **SS1900-L167**
Back panel connector L/R
B, C ▶ Page - B.52
- D** **SS1900-F167**
Inner drawer front connector (square railing) L/R
D ▶ Page - B.53
- D** **SS1900-F167H**
Inner drawer front connector (handle) L/R
D ▶ Page - B.54
- F** **SS1800-04**
Inner drawer front panel
- F** **SS1800-04H**
Inner drawer front panel (handle)
F ▶ Page - B.104
- L** **SS1800-05**
Front rectangular railing
L ▶ Page - B.105

Mounting

Cabinet space requirements



Back panel installation dimensions

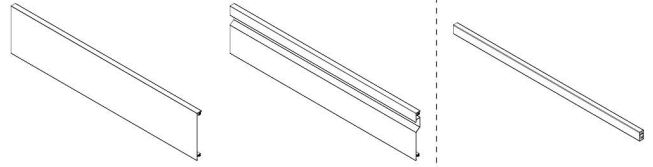


Internal front panel DIY cut

Planar

Handle

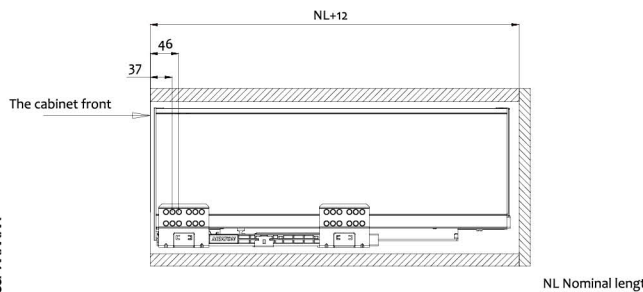
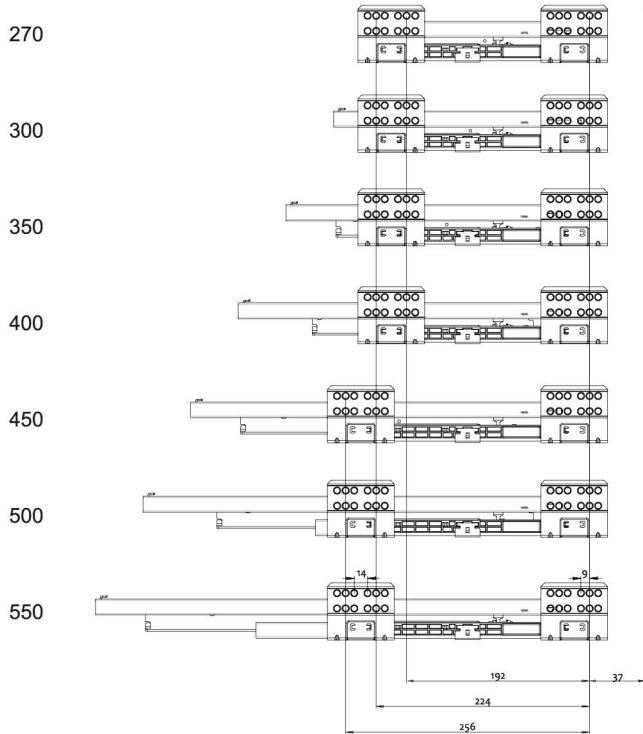
Square rail



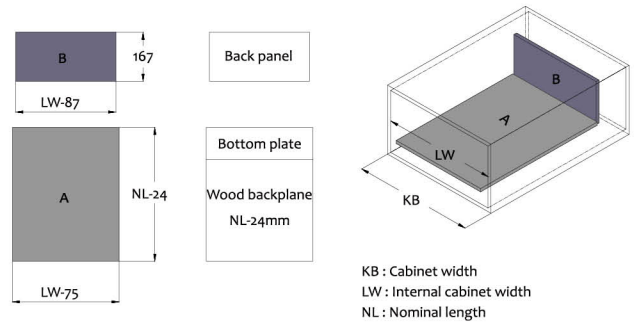
DIY cut: LW - 98mm

DIY cut: LW - 85mm

Drawer slide installation dimensions



Cutting dimensions for back panel



Space required

