

Slim Drawer System SB1900 - D01

Slim box, height 199mm



SOFT-CLOSING

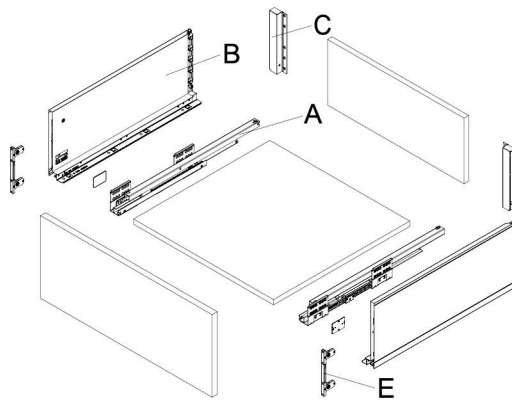
- Basic, height 199mm.
- Loading capacity: 40Kg.
- Wide range of depth from 270mm to 550mm.
- Two colors in stocking, black and white. Other colors on request.
- Front convenient fine adjustment mechanism integrated.
Up & down ± 1.5 mm, left & right ± 1.5 mm.
- Synchronization mechanism of the slides stabilizes the sliding motion and eliminates noises from the living space.



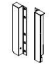


SB1900-D01

Length	Cover	
	White	Black
270mm	554.411.010	554.421.010
300mm	554.411.011	554.421.011
350mm	554.411.012	554.421.012
400mm	554.411.013	554.421.013
450mm	554.411.014	554.421.014
500mm	554.411.015	554.421.015
550mm	554.411.016	554.421.016

Product information

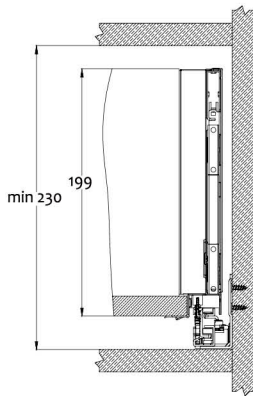
Components view



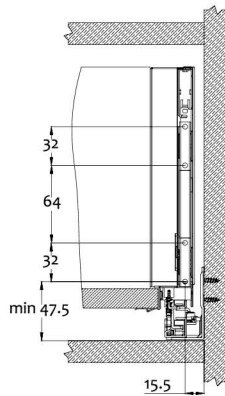
A	SS1801-S Drawer slide L/R	
A ► Page - B.102		
B	SS1900-B199 Side wall L/R	
B ► Page - B.52		
C	SS1900-L199 Back panel connector L/R	
C ► Page - B.53		
E	SS1900-TC1 Front connector	
	SS1900-TC2 Quick mount front connector	
E ► Page - B.54		

Mounting

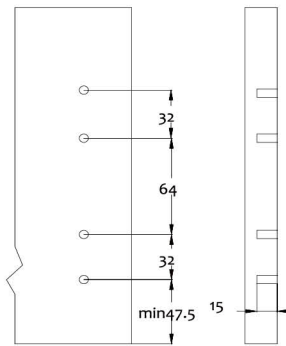
Cabinet space requirements



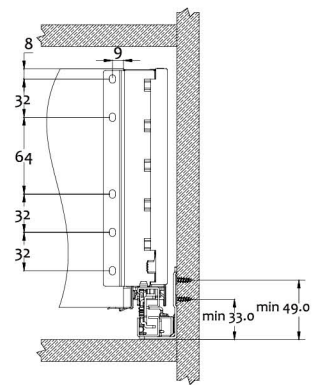
Front connector panel installation dimensions



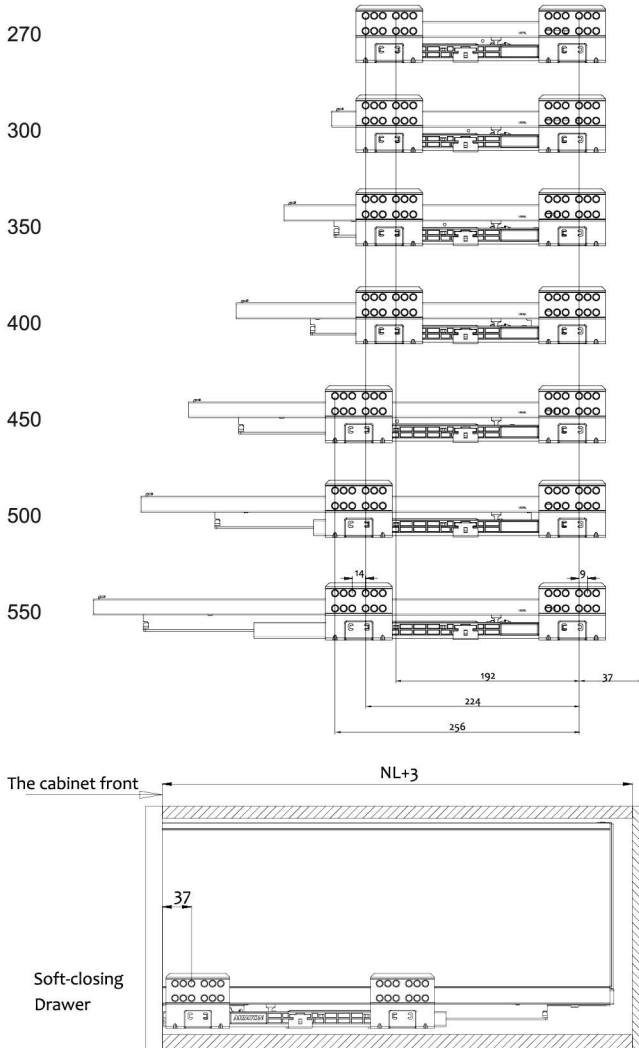
Front panel drilling dimensions



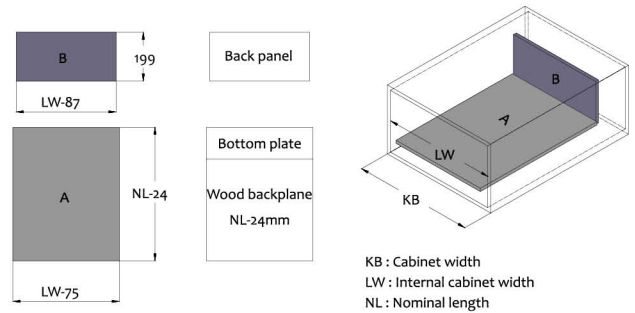
Back panel installation dimensions



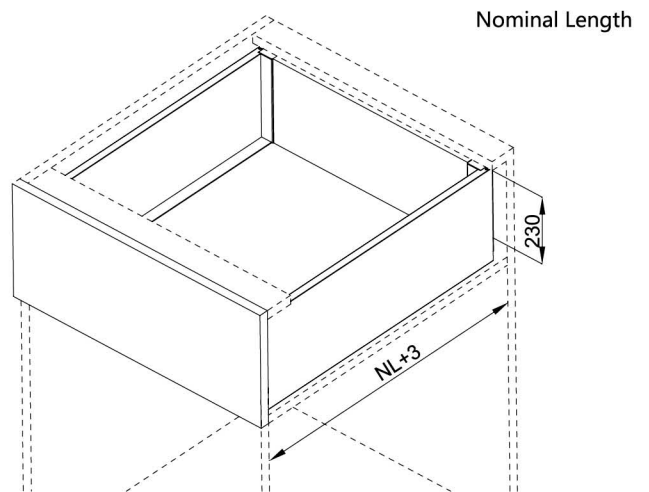
Drawer slide installation dimensions



Cutting dimensions for back panel



Space required



Slim Drawer System SB1900 - D02

Slim box with extended side square railings, height 199mm



SOFT-CLOSING

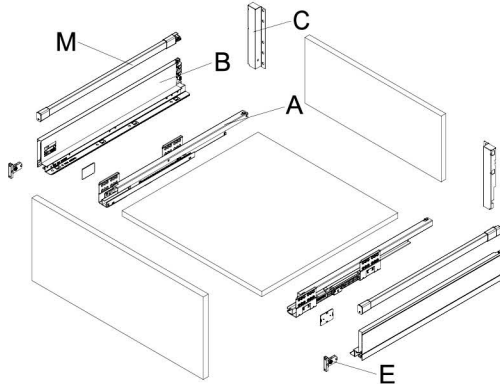
- Basic + rectangular side railings, height 199mm.
- Loading capacity: 40Kg.
- Wide range of depth from 270mm to 550mm.
- Two colors in stocking, black and white. Other colors on request.
- Front convenient fine adjustment mechanism integrated.
Up & down ± 1.5 mm, left & right ± 1.5 mm.
- Synchronization mechanism of the slides stabilizes the sliding motion and eliminates noises from the living space.





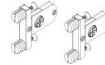

SB1900-D02

Length	Cover	
	White	Black
270mm	554.411.020	554.421.020
300mm	554.411.021	554.421.021
350mm	554.411.022	554.421.022
400mm	554.411.023	554.421.023
450mm	554.411.024	554.421.024
500mm	554.411.025	554.421.025
550mm	554.411.026	554.421.026

Product information

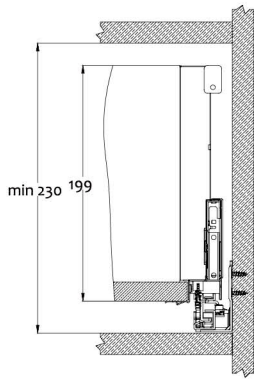
Components view



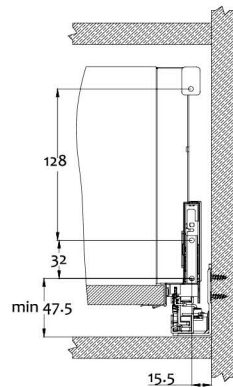
A	SS1801-S Drawer slide L/R	
A ► Page - B.102		
B	SS1900-B86 Side wall L/R	
B ► Page - B.52		
C	SS1900-L199K Back panel connector L/R	
C ► Page - B.53		
E	SS1900-TA1 Front connector	
	SS1900-TA2 Quick mount front connector	
E ► Page - B.54		
M	SS1801-12 Side rectangular railings	
M ► Page - B.105		

Mounting

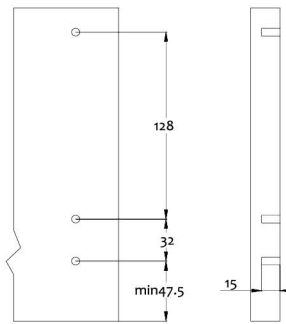
Cabinet space requirements



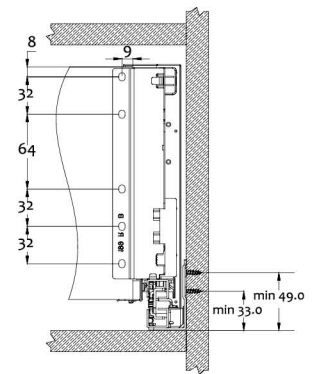
Front connector panel installation dimensions



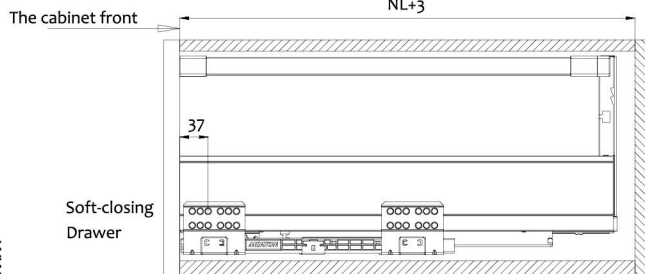
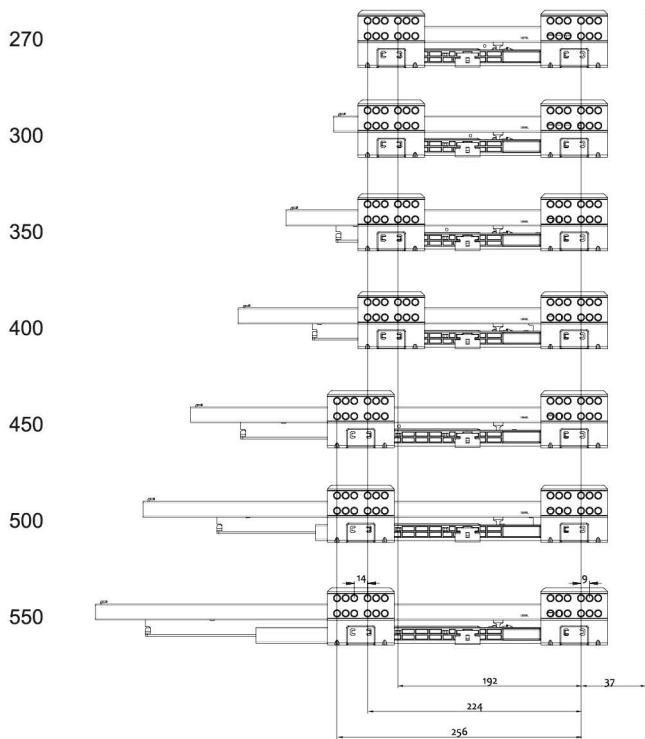
Front panel drilling dimensions



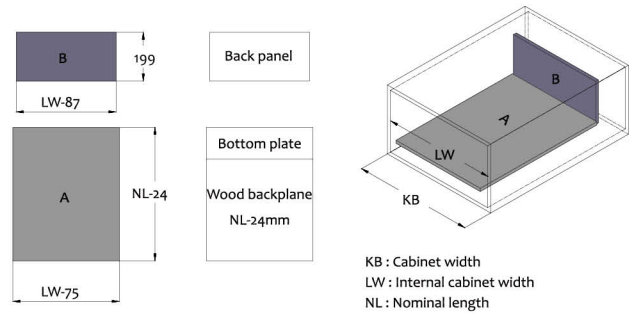
Back panel installation dimensions



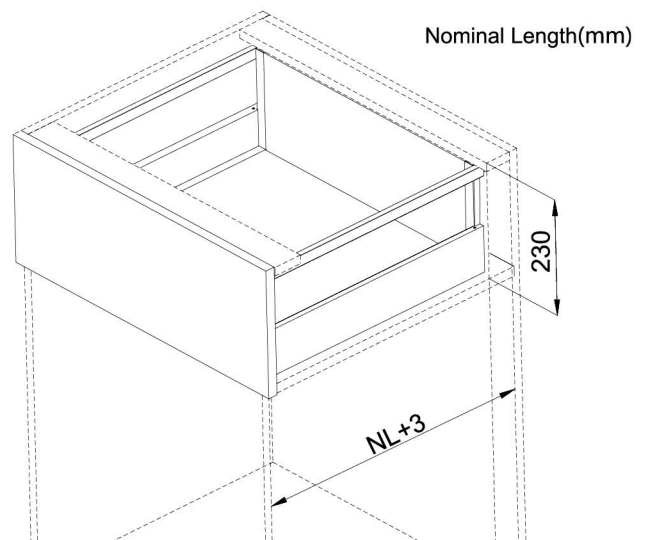
Drawer slide installation dimensions



Cutting dimensions for back panel



Space required



Slim Drawer System SB1900 - D03

Inner box with extended front low glass, height 199mm



SOFT-CLOSING

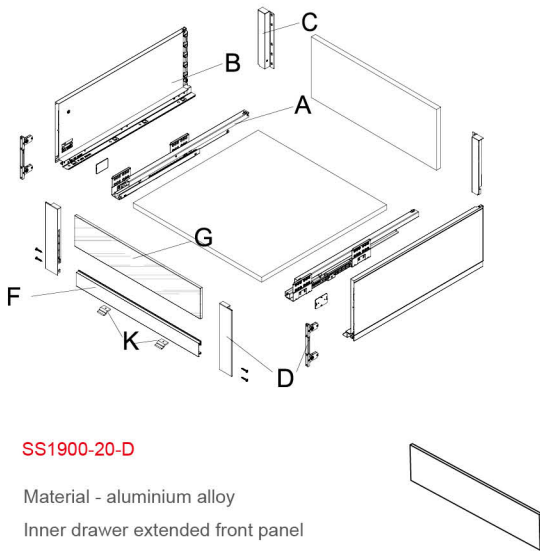
- Inner drawer, height 199mm.
- Loading capacity: 40Kg.
- Wide range of depth from 270mm to 550mm.
- Two colors in stocking, black and white. Other colors on request.
- Front convenient fine adjustment mechanism integrated.
Up & down ± 1.5 mm, left & right ± 1.5 mm.
- Synchronization mechanism of the slides stabilizes the sliding motion and eliminates noises from the living space.

SB1900-D03

Length	Cover	
	White	Black
270mm	554.411.030	554.421.030
300mm	554.411.031	554.421.031
350mm	554.411.032	554.421.032
400mm	554.411.033	554.421.033
450mm	554.411.034	554.421.034
500mm	554.411.035	554.421.035
550mm	554.411.036	554.421.036

Product information

Components view



G SS1900-20-D




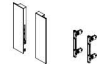



Material - aluminium alloy

Inner drawer extended front panel

Color - White / Black

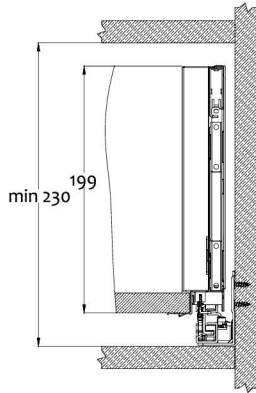
Automatically cut - the cabinet body width LW - 85

Length	Cover	
	White	Black
600mm	554.905.461	554.905.462
800mm	554.905.481	554.905.482
900mm	554.905.491	554.905.492
1000mm	554.905.401	554.905.402
1200mm	554.905.421	554.905.422

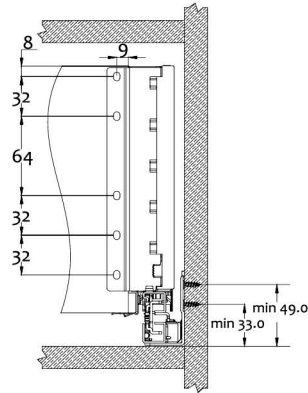
- A** **SS1801-S**
 Drawer slide L/R

 A ► Page - B.102
- B** **SS1900-B199**
 Side wall L/R

 B ► Page - B.52
- C** **SS1900-L199**
 Back panel connector L/R

 C ► Page - B.53
- D** **SS1900-F199L**
 Inner drawer front connector (low glass) L/R

 D ► Page - B.54
- F** **SS1900-04**
 Inner drawer front panel

- G1** **SS1900-20-DS/ SS1900-20-DT**
 Inner drawer extended front low glass

 F, G1 ► Page - B.55
- K** **SS1800-37**
 Front panel bracket to bottom panel

 K ► Page - B.105

Mounting

Cabinet space requirements



Back panel installation dimensions



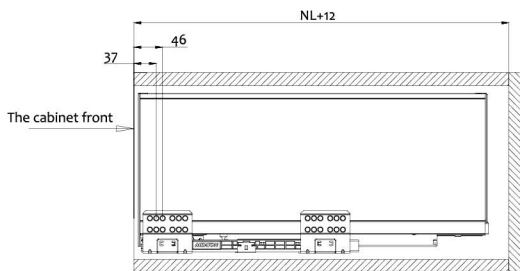
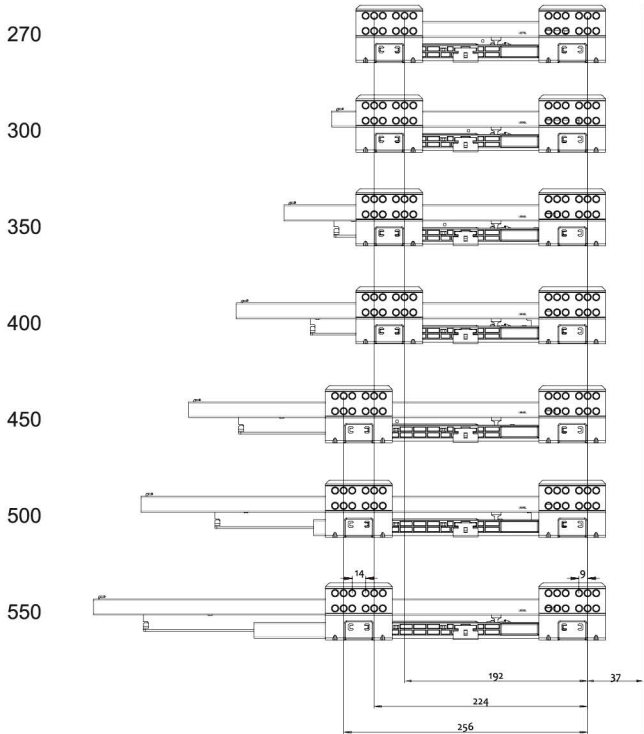
Internal front panel DIY cut

Planar



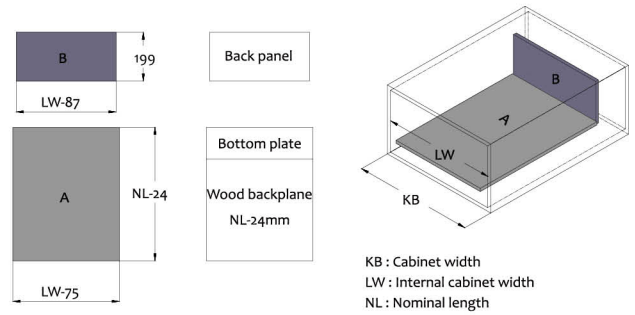
DIY cut: LW - 98mm

Drawer slide installation dimensions

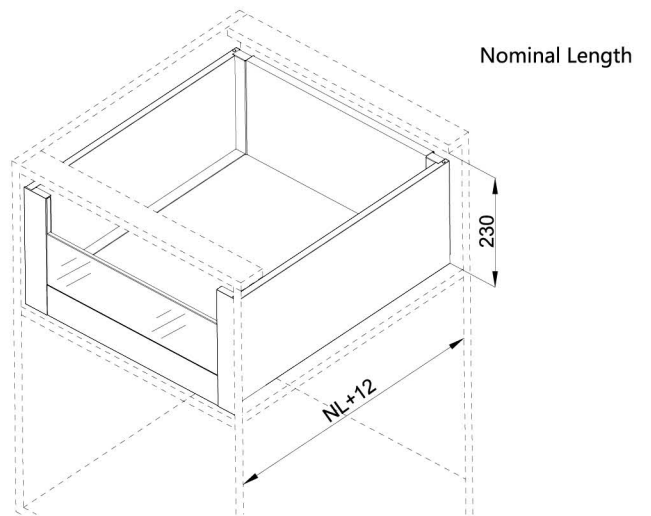


NL Nominal length

Cutting dimensions for back panel



Space required



Slim Drawer System SB1900 - D04

Inner box with extended front tall glass, height 199mm



SOFT-CLOSING

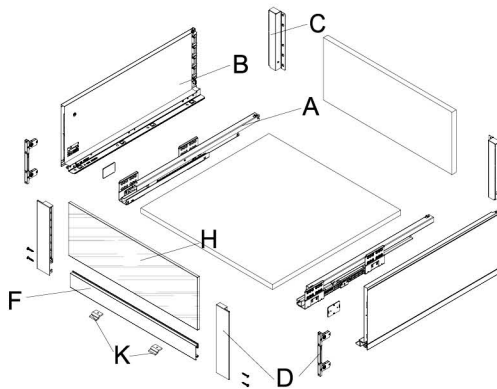
- Inner drawer, height 199mm.
- Loading capacity: 40Kg.
- Wide range of depth from 270mm to 550mm.
- Two colors in stocking, black and white. Other colors on request.
- Front convenient fine adjustment mechanism integrated.
Up & down ± 1.5 mm, left & right ± 1.5 mm.
- Synchronization mechanism of the slides stabilizes the sliding motion and eliminates noises from the living space.

SB1900-D04

Length	Cover	
	White	Black
270mm	554.411.040	554.421.040
300mm	554.411.041	554.421.041
350mm	554.411.042	554.421.042
400mm	554.411.043	554.421.043
450mm	554.411.044	554.421.044
500mm	554.411.045	554.421.045
550mm	554.411.046	554.421.046

Product information

Components view



H SS1900-21-D

Material - aluminium alloy

Inner drawer extended front panel

Color - White / Black

Automatically cut - the cabinet body width LW - 85

Length	Cover	
	White	Black
600mm	554.913.461	554.913.462
800mm	554.913.481	554.913.482
900mm	554.913.491	554.913.492
1000mm	554.913.401	554.913.402
1200mm	554.913.421	554.913.422

A

SS1801-S

Drawer slide L/R



A ► Page - B.102

B

SS1900-B199

Side wall L/R



B ► Page - B.52

C

SS1900-L199

Back panel connector L/R



C ► Page - B.53

D

SS1900-F199G

Inner drawer front connector (tall glass) L/R



D ► Page - B.54

F

SS1900-04

Inner drawer front panel



H1

SS1900-21-DS/ SS1900-21-DT

Inner drawer extended front glass



F, H1 ► Page - B.55

K

SS1800-37

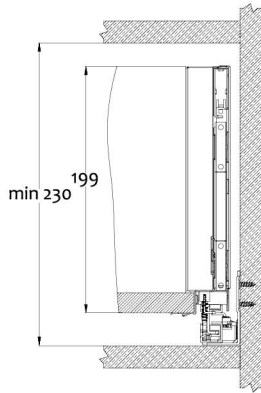
Front panel bracket to bottom panel



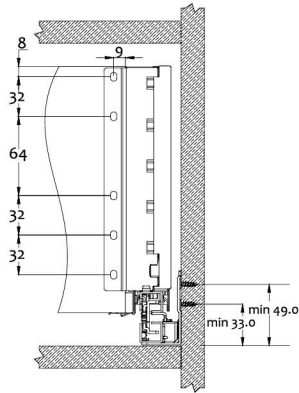
K ► Page - B.105

Mounting

Cabinet space requirements



Back panel installation dimensions



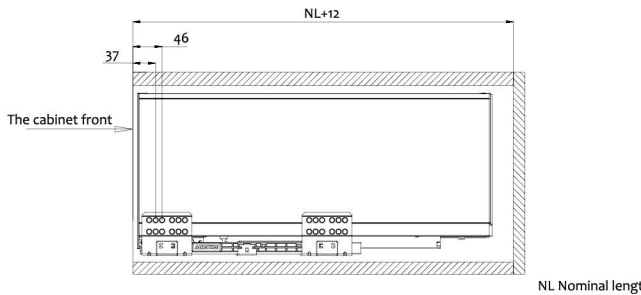
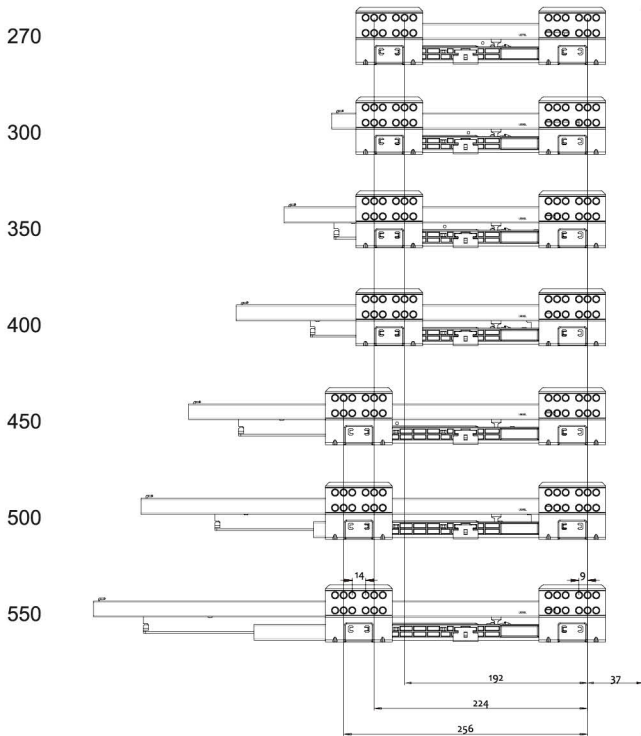
Internal front panel DIY cut

Planar

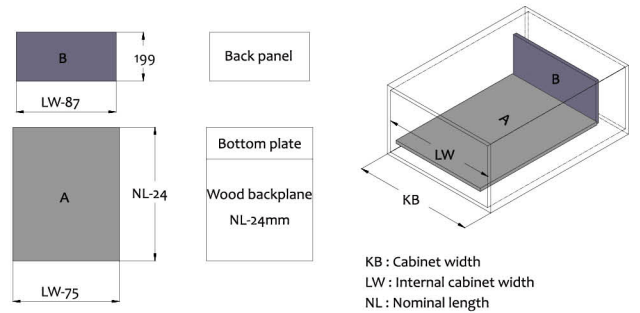


DIY cut: LW - 98mm

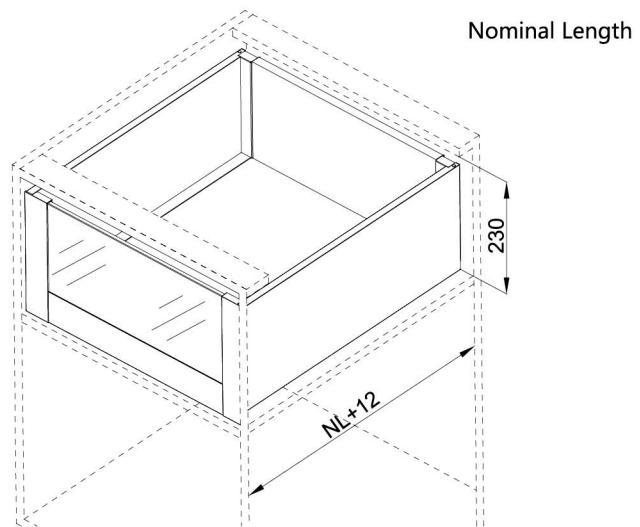
Drawer slide installation dimensions



Cutting dimensions for back panel



Space required



Slim Drawer System SB1900 - D05/ SB1900 - D05H



Inner box with front panel and square railing, height 199mm



SOFT-CLOSING

- Inner drawer, height 199mm.
- Loading capacity: 40Kg.
- Wide range of depth from 270mm to 550mm.
- Two colors in stocking, black and white. Other colors on request.
- Front convenient fine adjustment mechanism integrated.
Up & down ± 1.5 mm, left & right ± 1.5 mm.
- Synchronization mechanism of the slides stabilizes the sliding motion and eliminates noises from the living space.

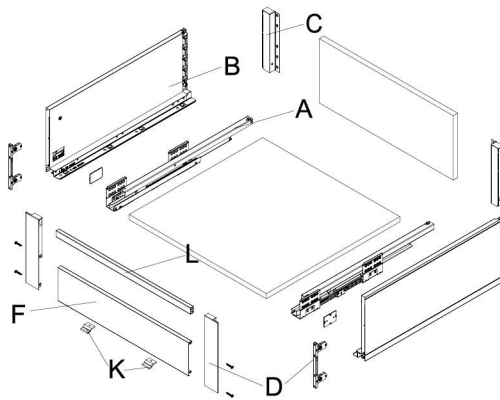
SB1900-D05

SB1900-D05H

Length	Cover		Length	Cover	
	White	Black		White	Black
270mm	554.411.050	554.421.050	270mm	554.411.150	554.421.150
300mm	554.411.051	554.421.051	300mm	554.411.151	554.421.151
350mm	554.411.052	554.421.052	350mm	554.411.152	554.421.152
400mm	554.411.053	554.421.053	400mm	554.411.153	554.421.153
450mm	554.411.054	554.421.054	450mm	554.411.154	554.421.154
500mm	554.411.055	554.421.055	500mm	554.411.155	554.421.155
550mm	554.411.056	554.421.056	550mm	554.411.156	554.421.156

Product information

Components view

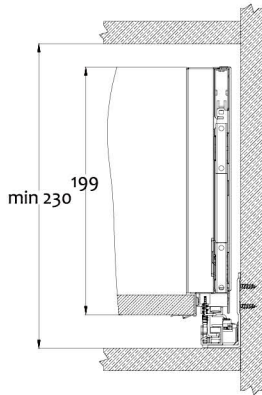


- K** **SS1800-37**
Front panel bracket to bottom panel
K ▶ Page - B.105

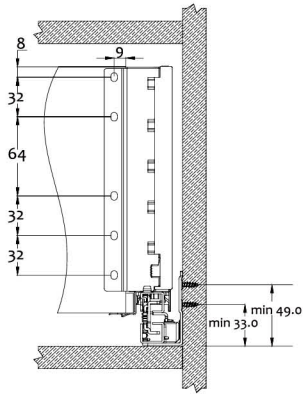
- A** **SS1801-S**
Drawer slide L/R
A ▶ Page - B.102
- B** **SS1900-B199**
Side wall L/R
B ▶ Page - B.52
- C** **SS1900-L199**
Back panel connector L/R
C ▶ Page - B.53
- D** **SS1900-F199**
Inner drawer front connector (square railing) L/R
SS1900-F199H
Inner drawer front connector (handle) L/R
D ▶ Page - B.54
- F** **SS1800-04**
Inner drawer front panel
SS1800-04H
Inner drawer front panel (handle)
F ▶ Page - B.104
- L** **SS1800-05**
Front rectangular railing
L ▶ Page - B.105

Mounting

Cabinet space requirements



Back panel installation dimensions

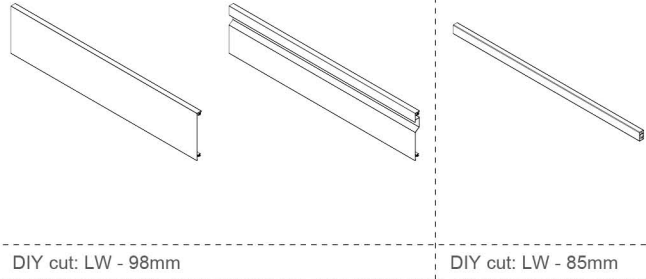


Internal front panel DIY cut

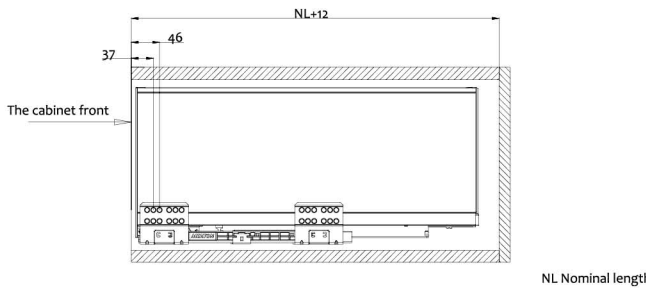
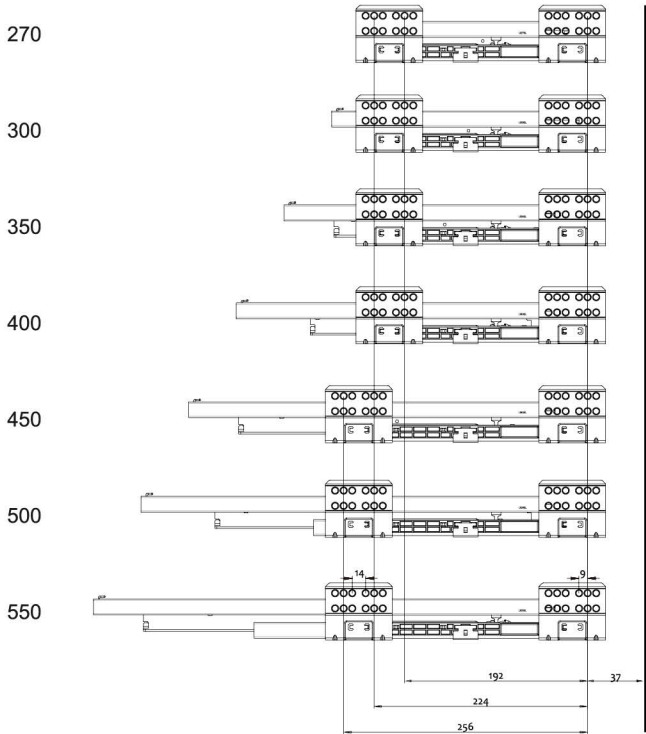
Planar

Handle

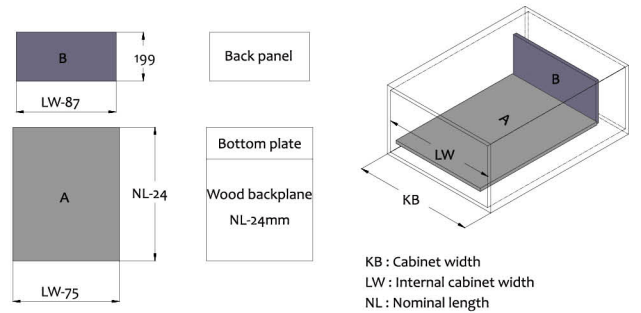
Square rail



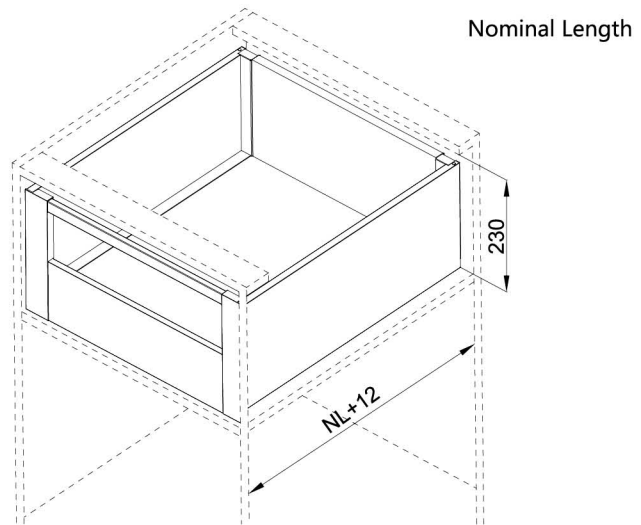
Drawer slide installation dimensions



Cutting dimensions for back panel



Space required



Slim Drawer System SB1900 - D06/ SB1900 - D06H

Inner box with side square railings and front panel, height 199mm



SOFT-CLOSING

- Inner drawer, height 199mm.
- Loading capacity: 40Kg.
- Wide range of depth from 270mm to 550mm.
- Two colors in stocking, black and white. Other colors on request.
- Front convenient fine adjustment mechanism integrated.
Up & down ± 1.5 mm, left & right ± 1.5 mm.
- Synchronization mechanism of the slides stabilizes the sliding motion and eliminates noises from the living space.

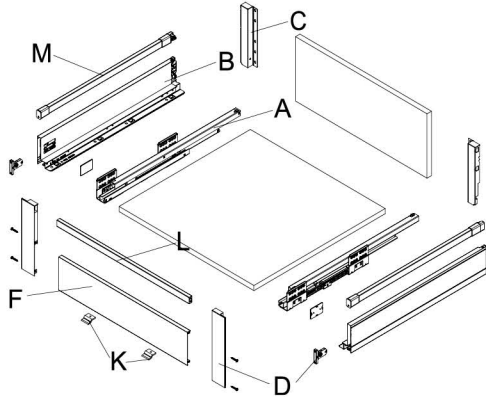
SB1900-D06

SB1900-D06H

Length	Cover		Length	Cover	
	White	Black		White	Black
270mm	554.411.060	554.421.060	270mm	554.411.160	554.421.160
300mm	554.411.061	554.421.061	300mm	554.411.161	554.421.161
350mm	554.411.062	554.421.062	350mm	554.411.162	554.421.162
400mm	554.411.063	554.421.063	400mm	554.411.163	554.421.163
450mm	554.411.064	554.421.064	450mm	554.411.164	554.421.164
500mm	554.411.065	554.421.065	500mm	554.411.165	554.421.165
550mm	554.411.066	554.421.066	550mm	554.411.166	554.421.166

Product information

Components view

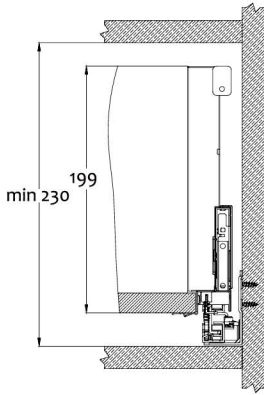


- L** **SS1800-05**
Front rectangular railing
 - M** **SS1801-12**
Side rectangular railings
 - K** **SS1800-37**
Front panel bracket to bottom panel
- L, M, K ▶ Page - B.105

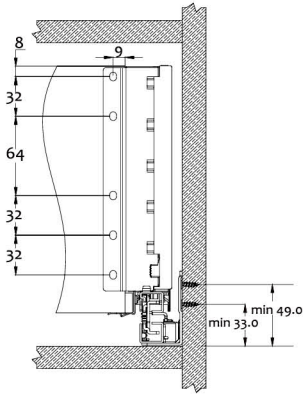
- A** **SS1801-S**
Drawer slide L/R
A ▶ Page - B.102
- B** **SS1900-B86**
Side wall L/R
B ▶ Page - B.52
- C** **SS1900-L199K**
Back panel connector L/R
C ▶ Page - B.53
- D** **SS1900-F199**
Inner drawer front connector (square railing) L/R
- SS1900-F199H**
Inner drawer front connector (handle) L/R
D ▶ Page - B.54
- F** **SS1800-04**
Inner drawer front panel
- SS1800-04H**
Inner drawer front panel (handle)
F ▶ Page - B.104

Mounting

Cabinet space requirements



Back panel installation dimensions

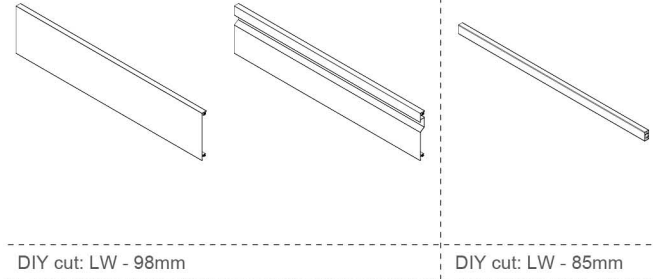


Internal front panel DIY cut

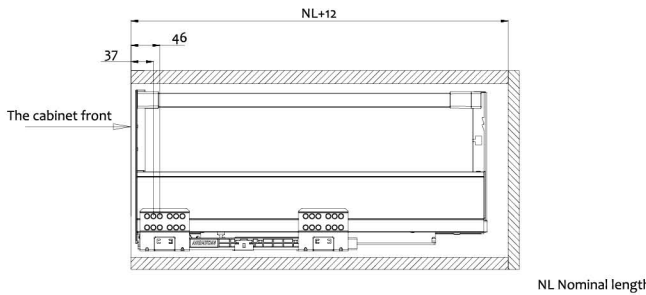
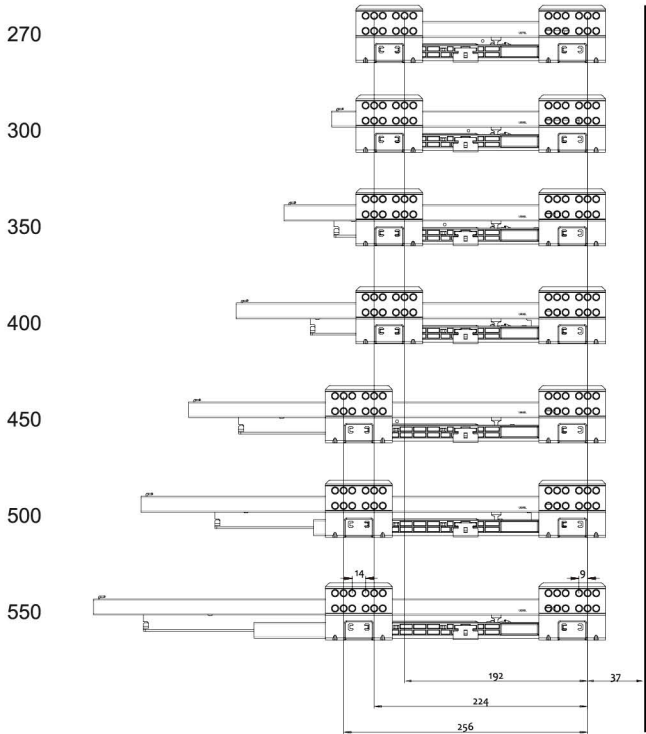
Planar

Handle

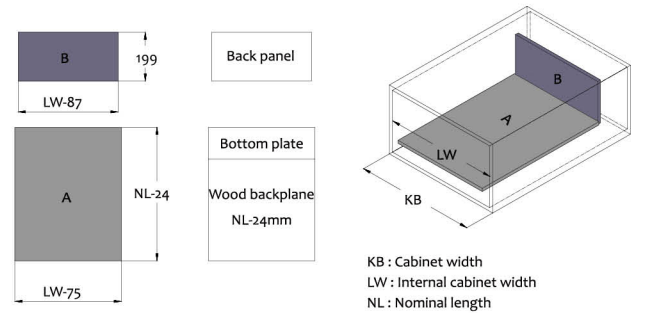
Square rail



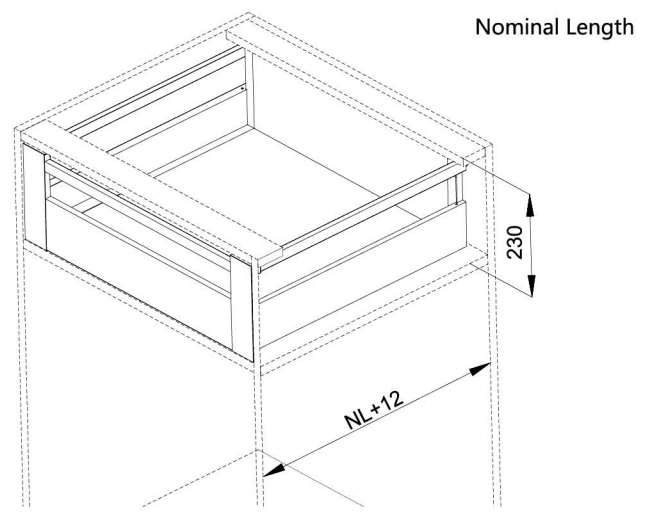
Drawer slide installation dimensions



Cutting dimensions for back panel



Space required



Slim Drawer System SB1900 - D07

Inner box with side square railings and extended front low glass, height 199mm



SOFT-CLOSING

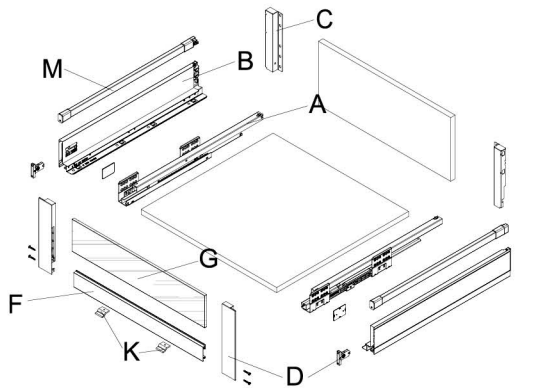
- Inner drawer, height 199mm.
- Loading capacity: 40Kg.
- Wide range of depth from 270mm to 550mm.
- Two colors in stocking, black and white. Other colors on request.
- Front convenient fine adjustment mechanism integrated.
Up & down ± 1.5 mm, left & right ± 1.5 mm.
- Synchronization mechanism of the slides stabilizes the sliding motion and eliminates noises from the living space.

SB1900-D07

Length	Cover	
	White	Black
270mm	554.411.070	554.421.070
300mm	554.411.071	554.421.071
350mm	554.411.072	554.421.072
400mm	554.411.073	554.421.073
450mm	554.411.074	554.421.074
500mm	554.411.075	554.421.075
550mm	554.411.076	554.421.076

Product information

Components view



G SS1900-20-D

Material - aluminium alloy

Inner drawer extended front panel

Color - White / Black

Automatically cut - the cabinet body width LW - 85

Length	Cover	
	White	Black
600mm	554.905.461	554.905.462
800mm	554.905.481	554.905.482
900mm	554.905.491	554.905.492
1000mm	554.905.401	554.905.402
1200mm	554.905.421	554.905.422

A

SS1801-S

Drawer slide L/R



A ▶ Page - B.102

B

SS1900-B86

Side wall L/R



B ▶ Page - B.52

C

SS1900-L199K

Back panel connector L/R

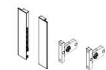


C ▶ Page - B.53

D

SS1900-F199L

Inner drawer front connector (low glass) L/R



D ▶ Page - B.54

F

SS1900-04

Inner drawer front panel



G1

SS1900-20-DS/ SS1900-20-DT

Inner drawer extended front low glass



F, G1 ▶ Page - B.55

M

SS1801-12

Side rectangular railings



K

SS1800-37

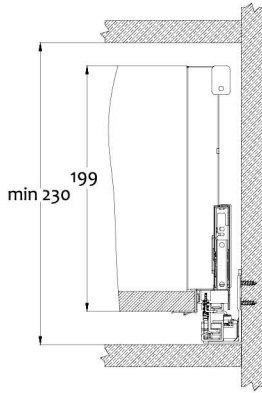
Front panel bracket to bottom panel



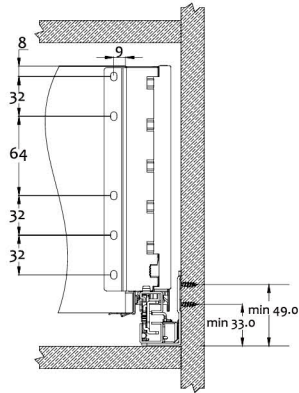
M, K ▶ Page - B.105

Mounting

Cabinet space requirements



Back panel installation dimensions



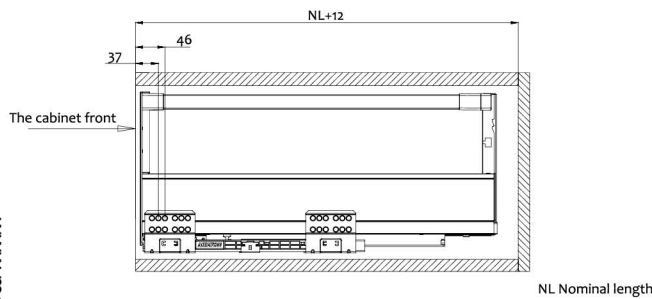
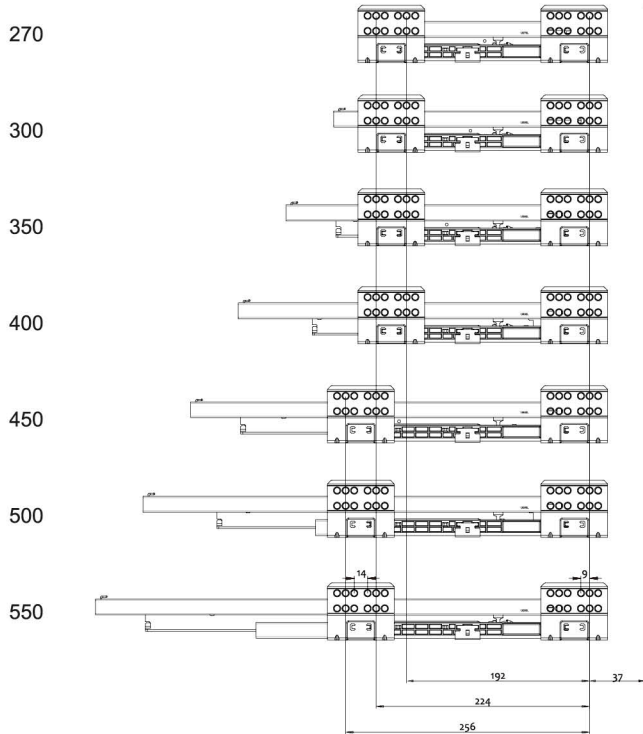
Internal front panel DIY cut

Planar

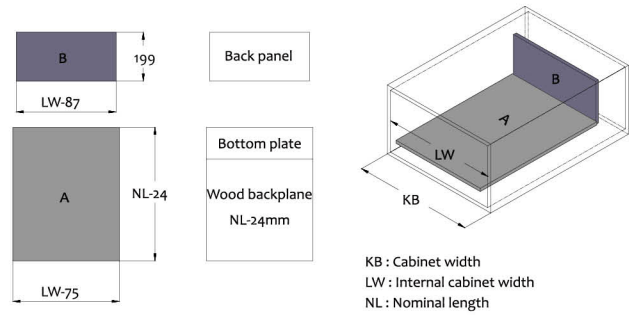


DIY cut: LW - 98mm

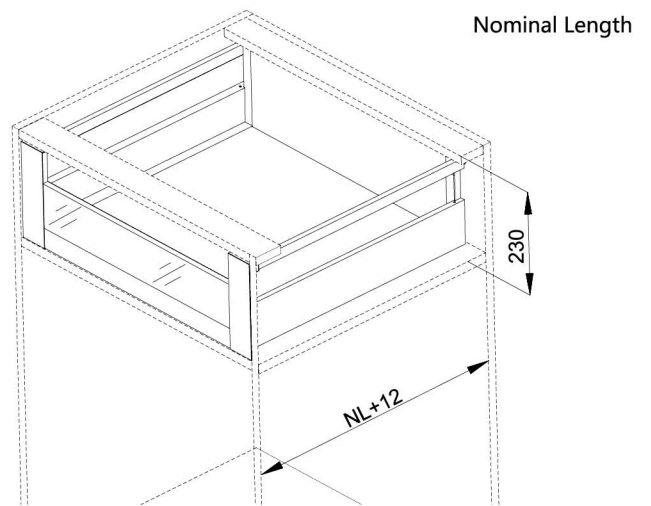
Drawer slide installation dimensions



Cutting dimensions for back panel



Space required



Slim Drawer System SB1900 - D08

Inner box with with side square railings and extended front tall glass, height 199mm



SOFT-CLOSING

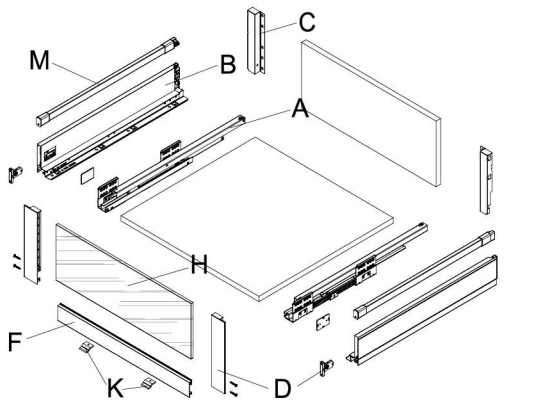
- Inner drawer, height 199mm.
- Loading capacity: 40Kg.
- Wide range of depth from 270mm to 550mm.
- Two colors in stocking, black and white. Other colors on request.
- Front convenient fine adjustment mechanism integrated.
Up & down ± 1.5 mm, left & right ± 1.5 mm.
- Synchronization mechanism of the slides stabilizes the sliding motion and eliminates noises from the living space.

SB1900-D08

Length	Cover	
	White	Black
270mm	554.411.080	554.421.080
300mm	554.411.081	554.421.081
350mm	554.411.082	554.421.082
400mm	554.411.083	554.421.083
450mm	554.411.084	554.421.084
500mm	554.411.085	554.421.085
550mm	554.411.086	554.421.086

Product information

Components view



H SS1900-21-D

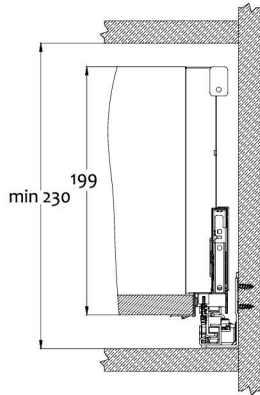
Material - aluminium alloy
 Inner drawer extended front panel
 Color - White / Black
 Automatically cut - the cabinet body width LW - 85

Length	Cover	
	White	Black
600mm	554.913.461	554.913.462
800mm	554.913.481	554.913.482
900mm	554.913.491	554.913.492
1000mm	554.913.401	554.913.402
1200mm	554.913.421	554.913.422

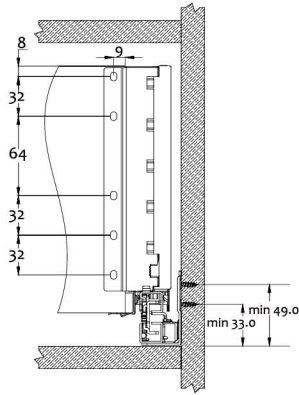
- A** **SS1801-S**
Drawer slide L/R
A ► Page - B.102
- B** **SS1900-B86**
Side wall L/R
B ► Page - B.52
- C** **SS1900-L199K**
Back panel connector L/R
C ► Page - B.53
- D** **SS1900-F199G**
Inner drawer front connector (tall glass) L/R
D ► Page - B.54
- F** **SS1900-04**
Inner drawer front panel
F, H1 ► Page - B.55
- H1** **SS1900-21-DS/ SS1900-21-DT**
Inner drawer extended front glass
- M** **SS1801-12**
Side rectangular railings
- K** **SS1800-37**
Front panel bracket to bottom panel
M, K ► Page - B.105

Mounting

Cabinet space requirements



Back panel installation dimensions



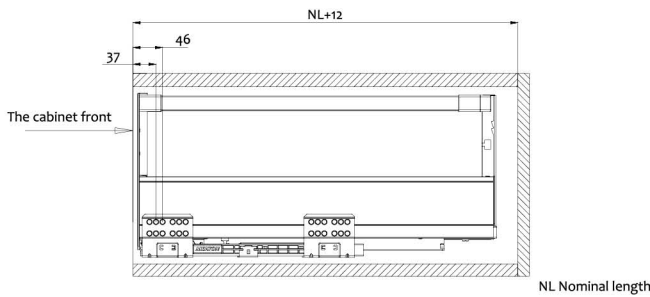
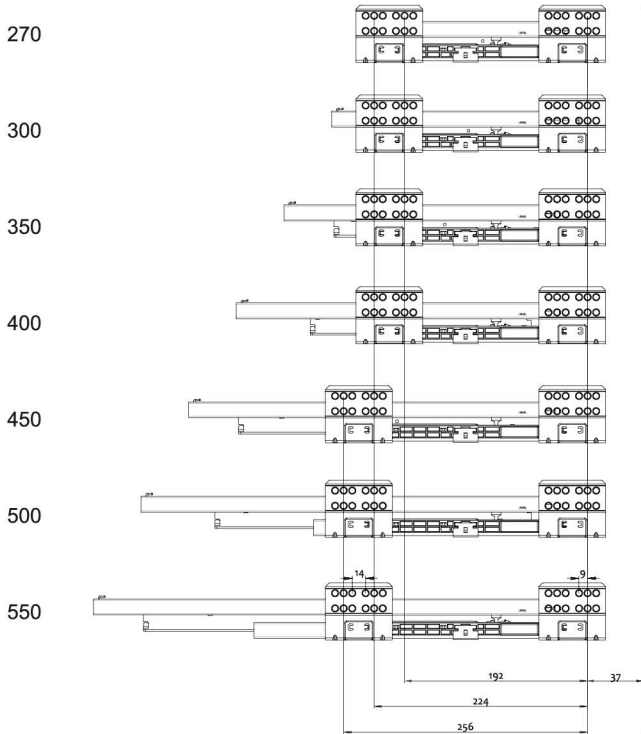
Internal front panel DIY cut

Planar

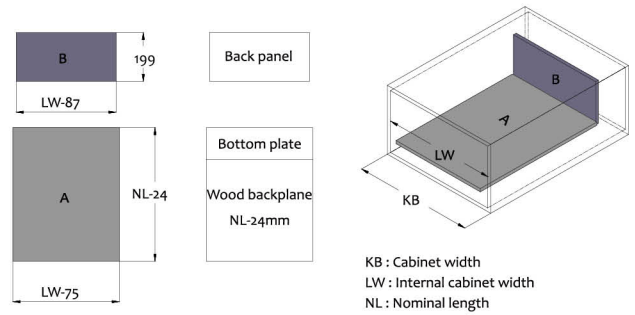


DIY cut: LW - 98mm

Drawer slide installation dimensions



Cutting dimensions for back panel



Space required

