



THREE-QUARTER CAROUSEL

ROTATING TRAY AXLE-MOUNTED

 KESSEBÖHMER

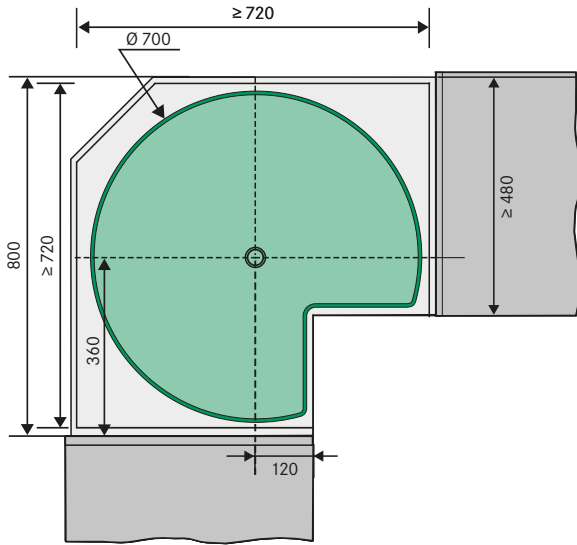


Height-adjustable axle

270° carousel as corner carousel
behind hinged doors

Variable for use in 80 and 90 cm
cabinet widths

80 cm corner base unit



90 cm corner base unit

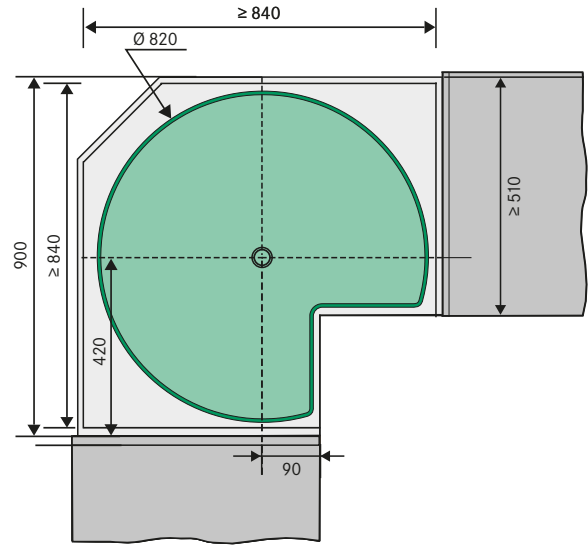
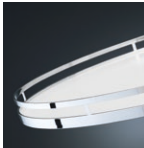
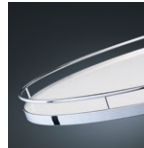
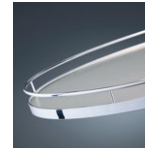

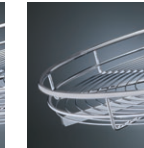


Fig.: Dimensions in mm

Hook-on tray for three-quarter carousel

1 set = 2 trays

Cabinet width	ARENA style Chrome/Ice white	ARENA classic Chrome/Ice white	ARENA classic Chrome/Grey	ARENA classic Silver/Ice white	ARENA classic Silver/Grey	Metal basket Chrome	Metal basket Silver
800 mm							
	260546 0005	260548 0005	260550 0005	260548 0102	260550 0102	260552 0005	260552 0102
900 mm	260547 0005	260549 0005	260551 0005	260549 0102	260551 0102	260553 0005	260553 0102

ARENAplus
Anti-slip coating

Axle

Height adjustable

Height	Chrome
655-745 mm	250052 0005
742-832 mm	260359 0005

