



No. 15

MAKES GREAT USE
OF NARROW GAPS



PUSH-TO-OPEN FOR NO. 15

 KESSEBÖHMER

push-to-open from Kesseböhmer is the handleless option of mechanical opening for the **No. 15 3D-X**.



Dimensions (mm)

Item no.

push-to-open (PTO) Typ II

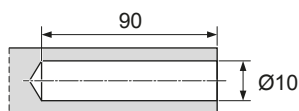
Drill-in ejector

● 22-34 N

272073 7035

Can also be used with PTO housing
(272075 7035)

Grey 7035



PTO housing

for screw fixing

Grey 7035

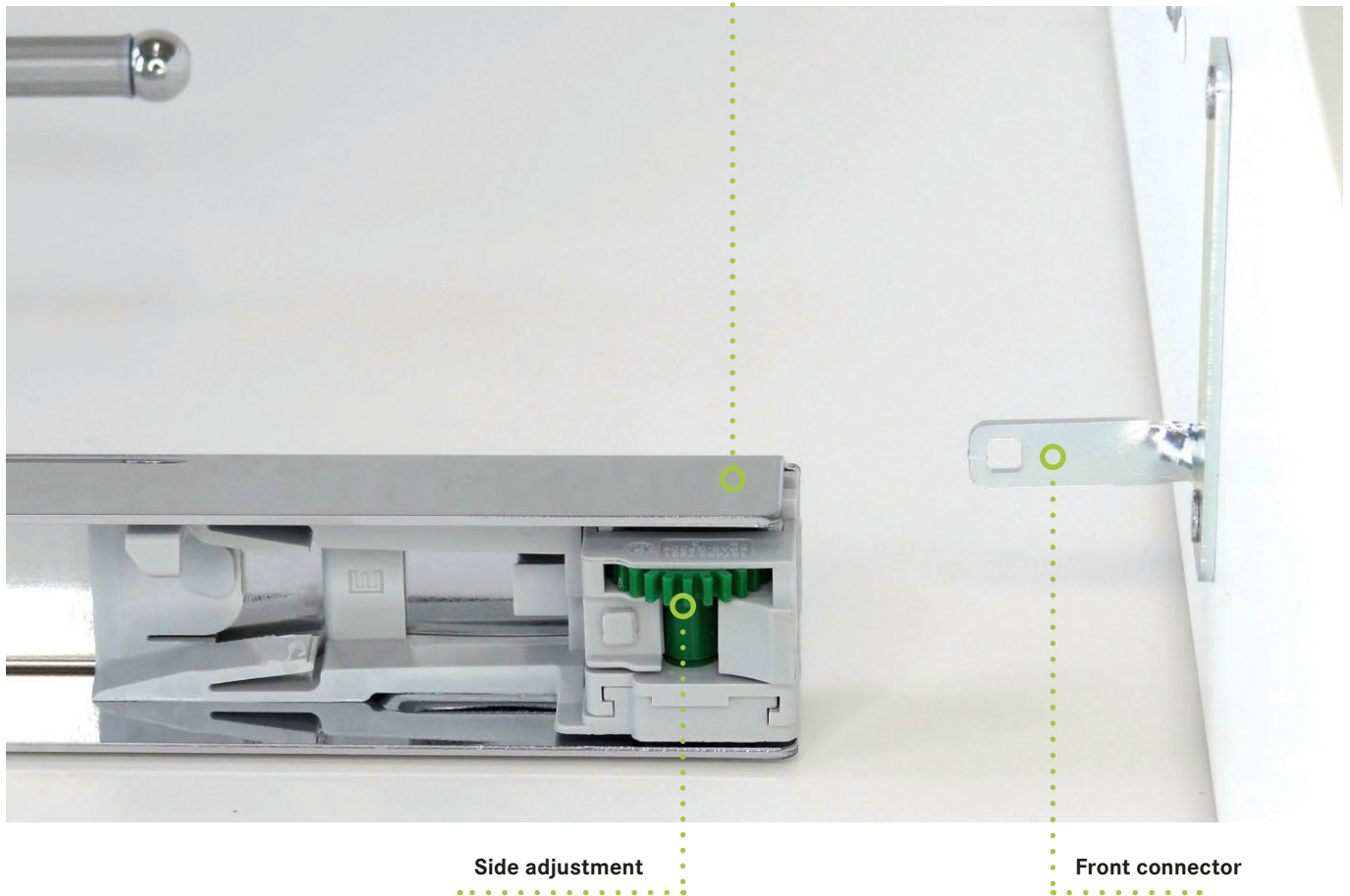
W x D x H

15 x 107 x 18

272075 7035



Top front connection for towel rail and baking tray pull-out



No. 15

ULTRA-SLIM PULL-OUT WITH ClickFixx, NOW WITH 3D FRONT ADJUSTMENT

KESSEBÖHMER

TWO INTERFACE OPTIONS FOR THE 3D-X NO.15 PULL-OUT MAKE FOR EASY INTEGRATION IN ANY PRODUCTION

PROCESS: the fitting can now either be clipped onto the runner without tools and connected using a front panel connector!

3D front adjustment makes adjustment ultra-simple.

PRODUCT FEATURES

- ClickFixx: clip-on connection for fitting and runner and fitting and front panel
- Toolless 3D front adjustment
- Can be installed with or without front panel
- SoftSTOPPplus with self-closing

 ClickFixx

 3D AdjustFixx

Front panel connector

Toolless 3D front adjustment

Height and depth are adjusted on the bottom front connector. The top front connector with its 'floating' bearing automatically keeps the connectors parallel when bottom connector height is changed.

Top front connector for 2-tray pull-out

Bottom front connector for 2-tray fitting and for towel rail and baking tray pull-out

Side adjustment

Tilt adjustment

Height adjustment

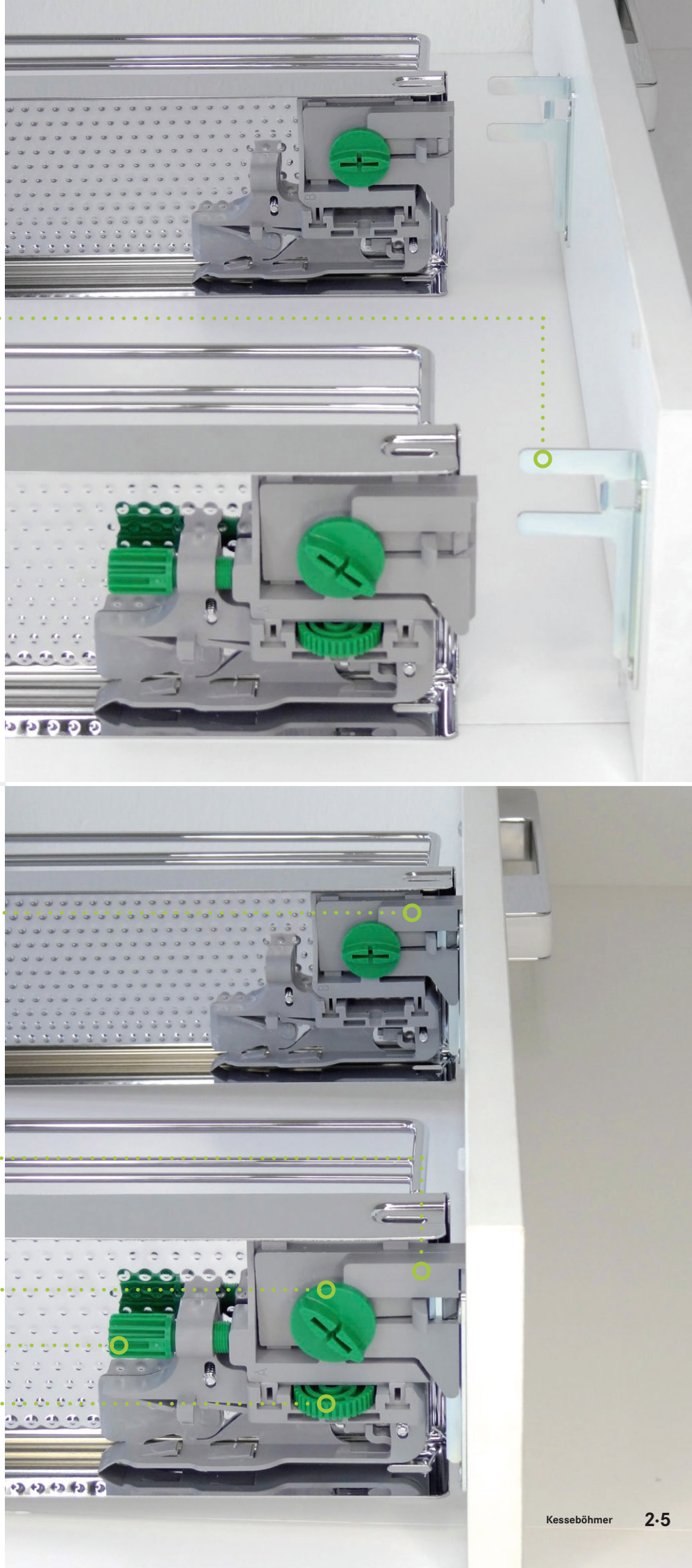
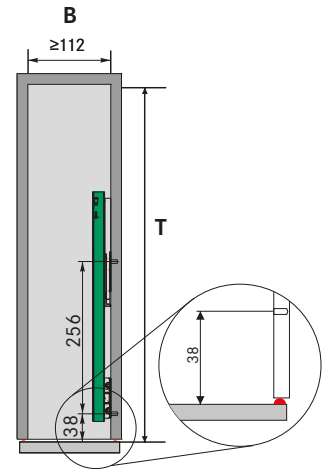
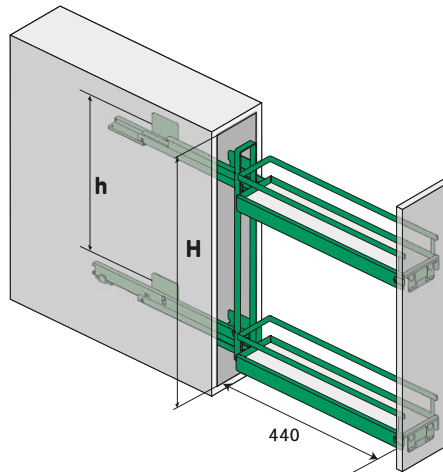




Fig.: Dimensions in mm



No.15 3D-X, 90° front panel angle

2 trays

B = Clear inside width:	≥ 112 mm
T = Clear inside depth:	≥ 481 mm
H = Clear inside height:	≥ 542 mm
h = Hole distance:	380 mm



Item no. Dimensions (mm)

For 90° base unit
Door mounted
right

**No.15 3D-X style,
2 trays**

Complete;
incl. incl. textured metal trays
and full-extension runners

233461 0005
233461 9846

Maximum load:
12 kg

Colour code:
Chrome 0005
Anthracite 9846

Standard with



For 90° base unit
Door mounted
right

**No.15 3D-X classic,
2 trays**

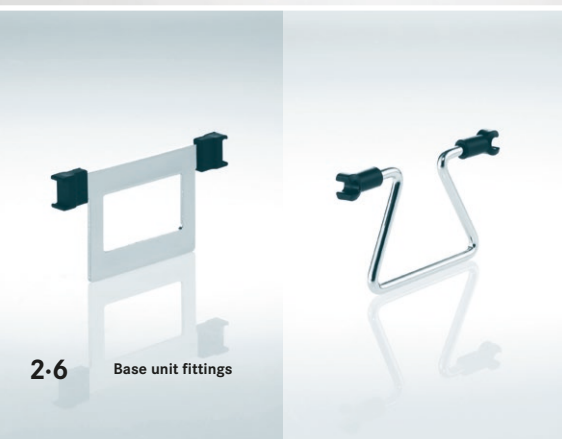
Complete;
incl. incl. textured metal trays
and full-extension runners

233460 0005
233460 0102

Maximum load:
12 kg

Colour code:
Chrome 0005
Silver 0102

Standard with



260601 0005
260601 9846

Divider style (Fig. left)
for No.15

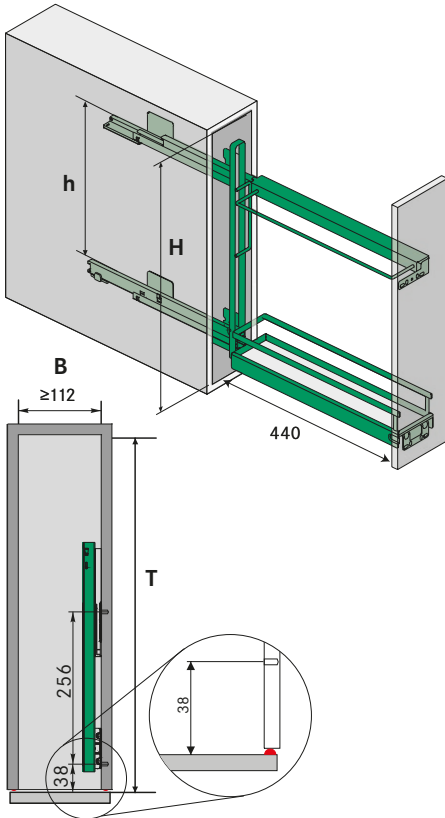
Colour code:
Chrome 0005
Anthracite 9846

260600 0005
260600 0102

Divider classic (Fig. right)
for No.15

Colour code:
Chrome 0005
Silver 0102

Fig.: Dimensions in mm



B = Clear inside width:	≥ 112 mm
T = Clear inside depth:	≥ 481 mm
H = Clear inside height:	≥ 592 mm
h = Hole distance:	380 mm



No.15 3D-X baking tray and tray pull-out style

complete; incl. full-extension runners

Colour code:

Chrome	0005
Anthracite	9846

Standard with



damping



Dimensions (mm)

Item no.

For 90° base unit
Door mounted
right

Maximum load:
12 kg

233469 0005

233469 9846



No.15 3D-X baking tray and tray pull-out classic

complete; incl. full-extension runners

Colour code:

Chrome	0005
Silver	0102

Standard with



damping



For 90° base unit
Door mounted
right

Maximum load:
12 kg

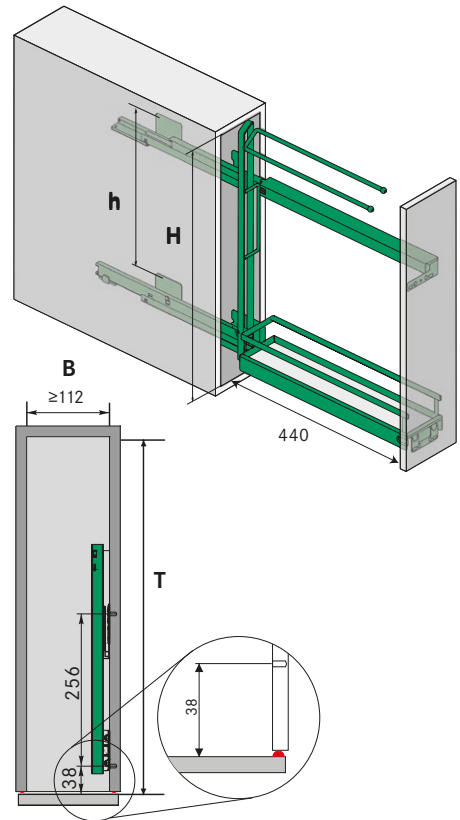
233468 0005

233468 0102





Fig.: Dimensions in mm



B = Clear inside width:	≥ 112 mm
T = Clear inside depth:	≥ 481 mm
H = Clear inside height:	≥ 592 mm
h = Hole distance:	380 mm



Item no. Dimensions (mm)

For 90° base unit
Door mounted
right

No.15 3D-X towel holder pull-out style
complete; incl. full-extension runners

Colour code:
Chrome 0005
Anthracite 9846

Maximum load:
12 kg

233465 0005
233465 9846

Standard with



For 90° base unit
Door mounted
right

No.15 3D-X towel holder pull-out classic
complete; incl. full-extension runners

Colour code:
Chrome 0005
Silver 0102

Maximum load:
12 kg

233464 0005
233464 0102

Standard with

