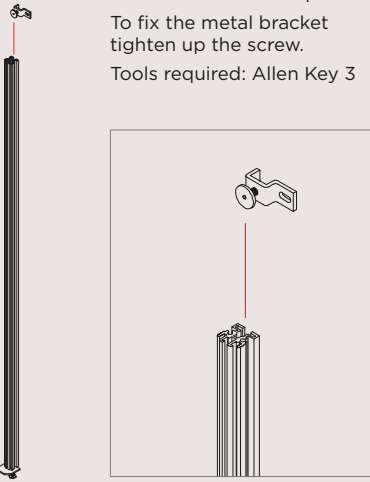


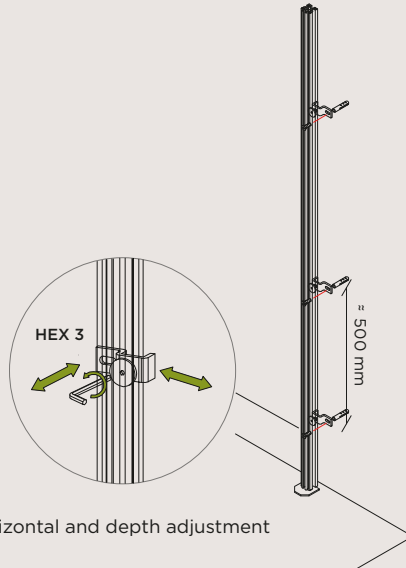
**\_INSTALLATION GUIDE**

**1 \_insert the metal brackets**

Slide the metal brackets into the vertical rack profile.  
To fix the metal bracket tighten up the screw.  
Tools required: Allen Key 3



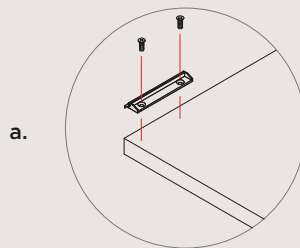
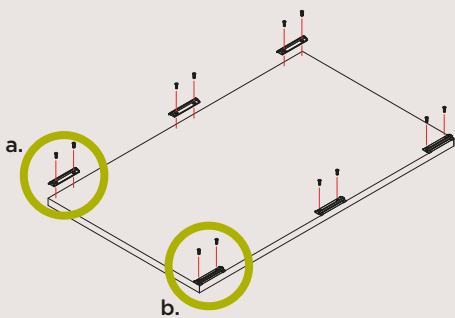
**2 \_fix the first vertical rack profile to the wall**



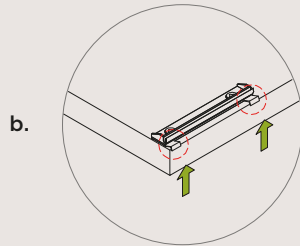
Fix the metal brackets onto the wall.  
It is suggested to use one metal bracket every 500mm.

The quality and quantity of the screws used to fix the brackets onto the wall, along with the composition and quality of the wall, will determine the load capacity of the walk-in closet system.

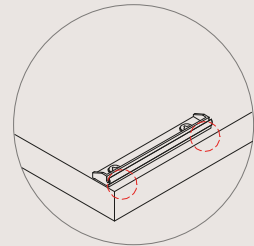
**3 \_prepare the wooden panel**



Screw the plastic clip on the wooden panel.

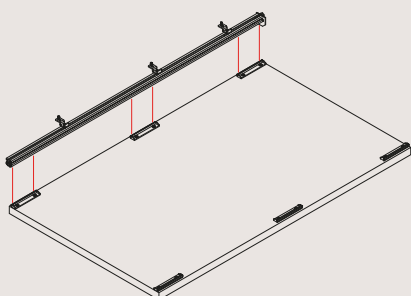


The position of the clip is determined by the plastic removable templates which always give the correct distance from the edge of the panel.



After the clip has been fixed on the panel, remove the plastic templates from the clip.

**4 \_fix the second vertical rack profile on the wooden panel**

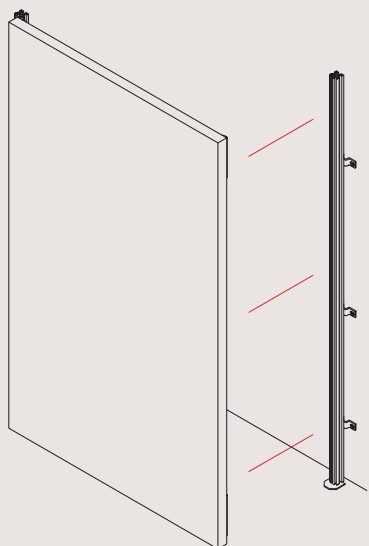


Once the plastic templates have been removed, you can clip the rack profile in which you have already inserted the metal brackets, onto the plastic clips.

**5** \_fix the panel with the second vertical rack to the first vertical rack previously fixed on wall

Clip the first wooden panel on the vertical rack profile fixed on the wall.

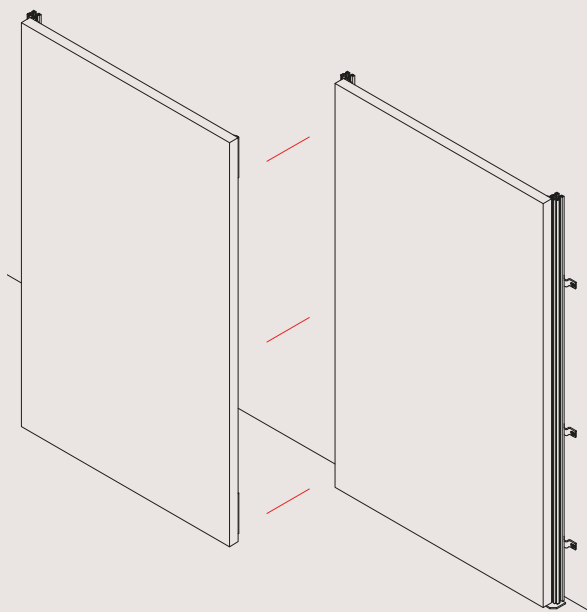
The position of the second vertical rack profile is given by the wooden panel.



**6** \_repeat to fix other panels

Clip the second wooden panel on the vertical rack profile fixed on the wall. The position of the next vertical rack profile is given by the wooden panel.

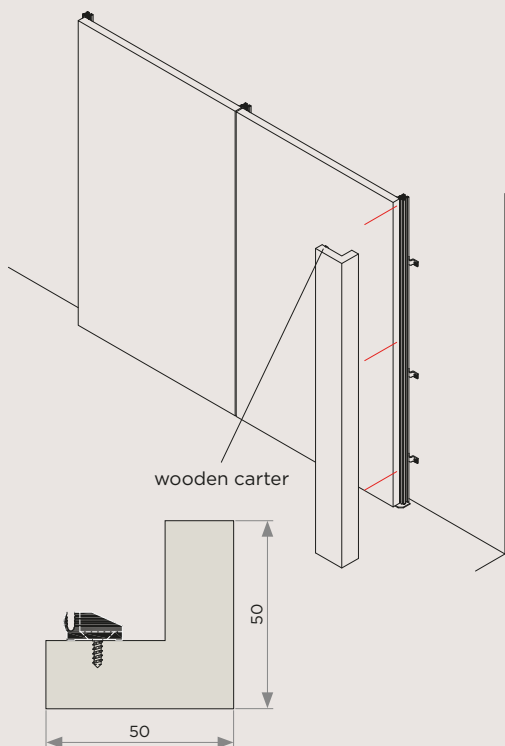
This operation can be repeated for the number of panels needed.



**7** \_fix the carter

Fix the carter to cover the last vertical rack profile.

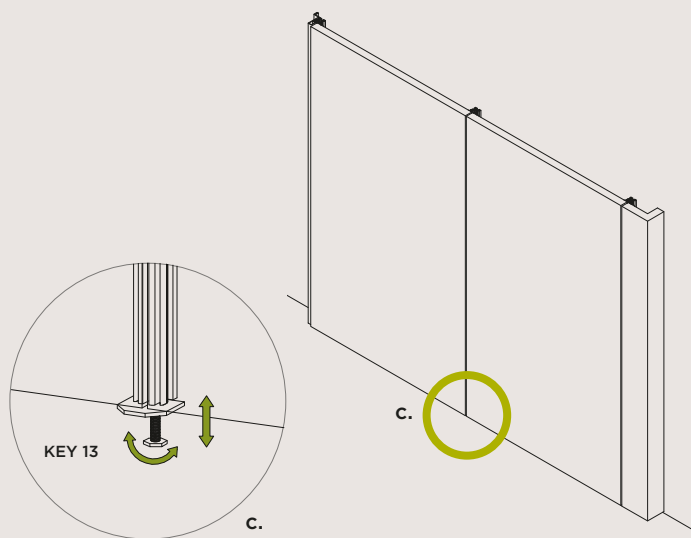
It is possible to use both aluminium or wooden carters.



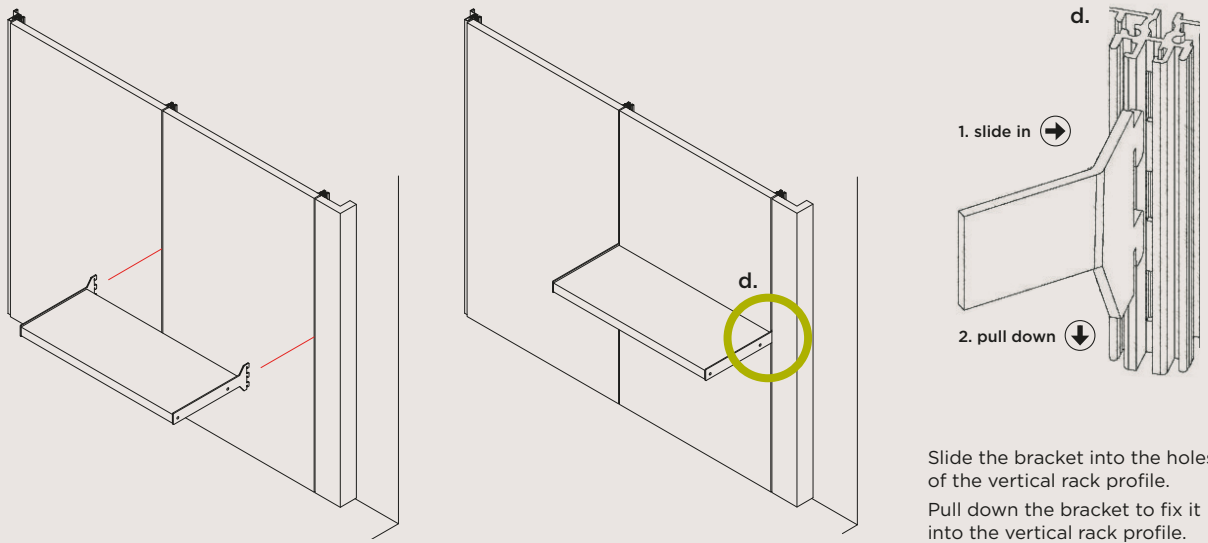
**8** \_adjust the system

Adjust the height of the panels by aligning the top and bottom edges thanks to the pre-mounted leveler assembled at the bottom of the vertical rack profile.

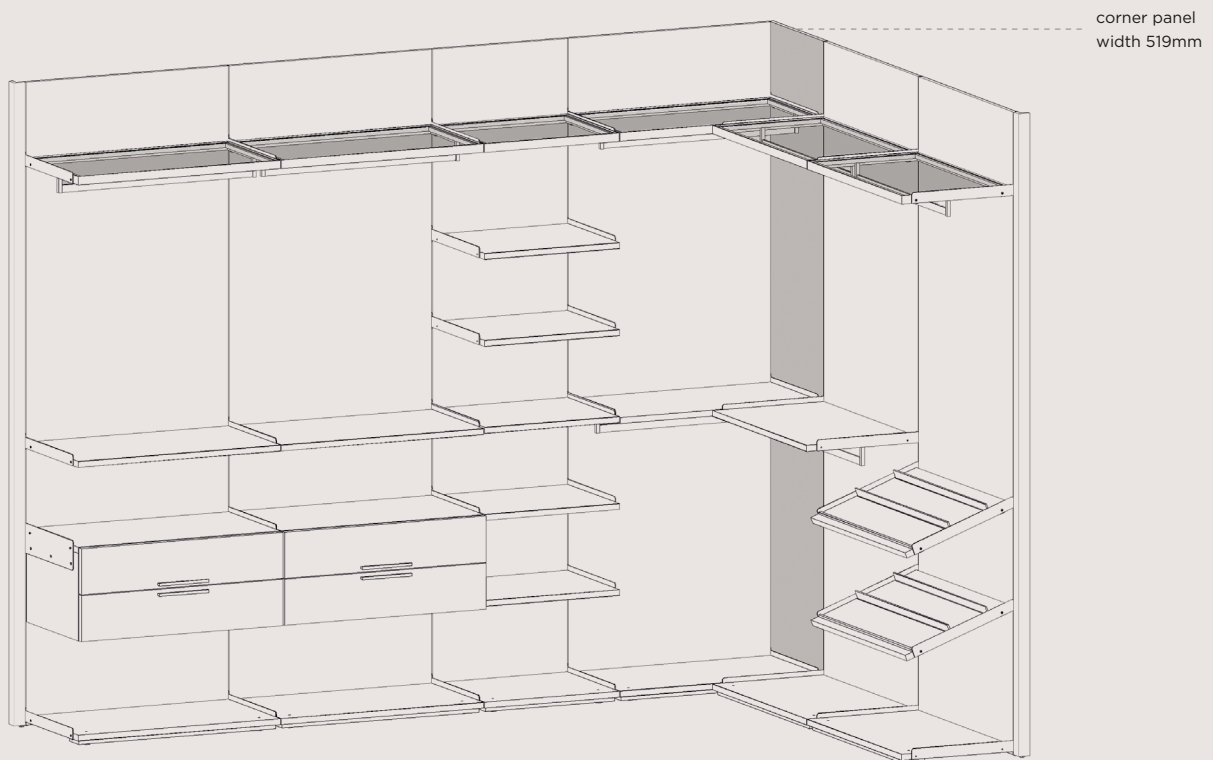
Tools required: Wrench Key 13



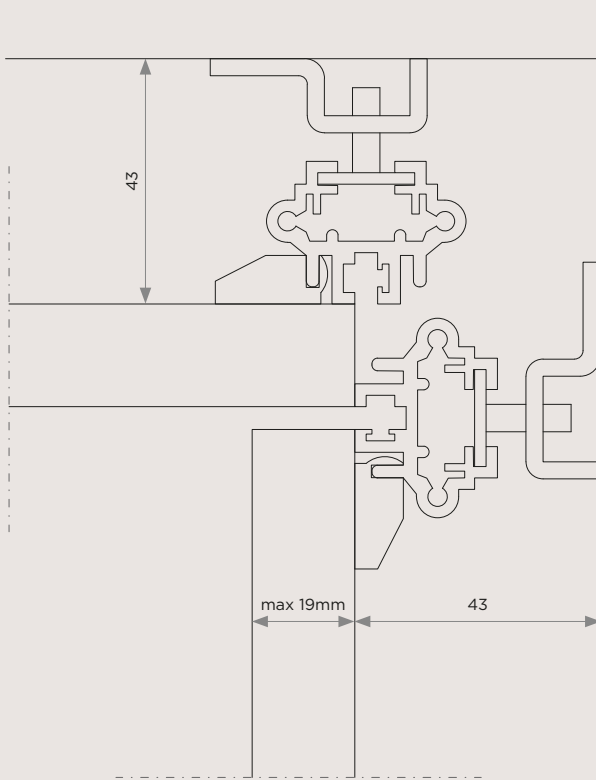
9 \_how to fix the shelves and cabinet brackets onto the vertical profile



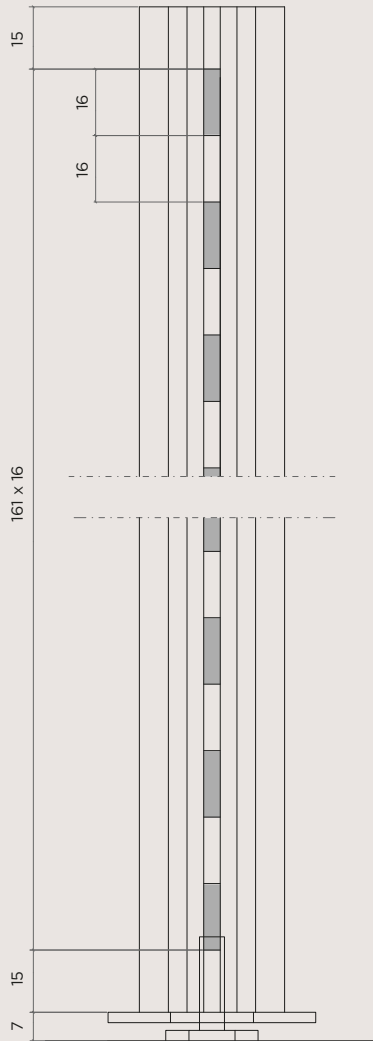
10 \_how to make a corner application



**\_corner**



**\_pitch on vertical rack profile**



**\_wooden shelf + shelf bracket**

