

_01.1

TECHNICAL INFORMATION

_01.1 Technical information

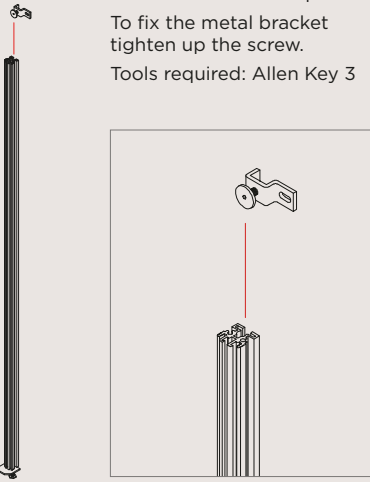
_01.2 Walk-in closet with back panel

_01.3 Walk-in closet without back panel

_INSTALLATION GUIDE

1 _insert the metal brackets

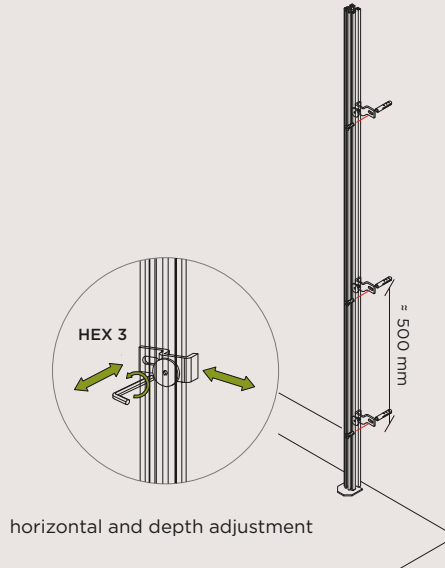
Slide the metal brackets into the vertical rack profile.
To fix the metal bracket tighten up the screw.
Tools required: Allen Key 3



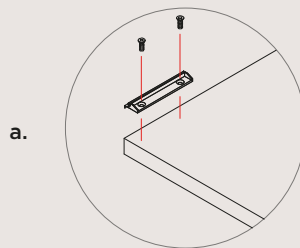
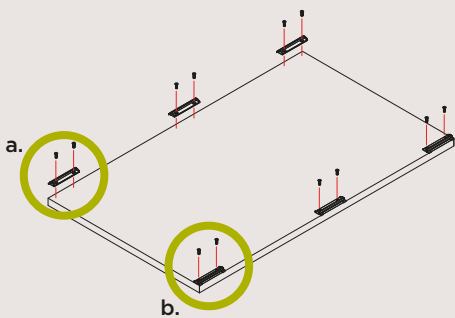
2 _fix the first vertical rack profile to the wall

Fix the metal brackets onto the wall.
It is suggested to use one metal bracket every 500mm.

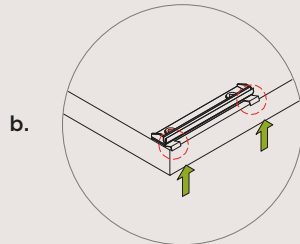
The quality and quantity of the screws used to fix the brackets onto the wall, along with the composition and quality of the wall, will determine the load capacity of the walk-in closet system.



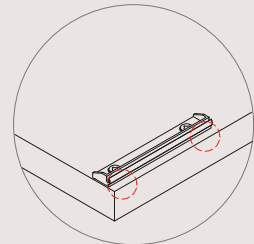
3 _prepare the wooden panel



Screw the plastic clip on the wooden panel.

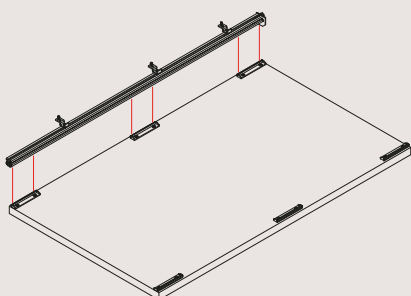


The position of the clip is determined by the plastic removable templates which always give the correct distance from the edge of the panel.



After the clip has been fixed on the panel, remove the plastic templates from the clip.

4 _fix the second vertical rack profile on the wooden panel

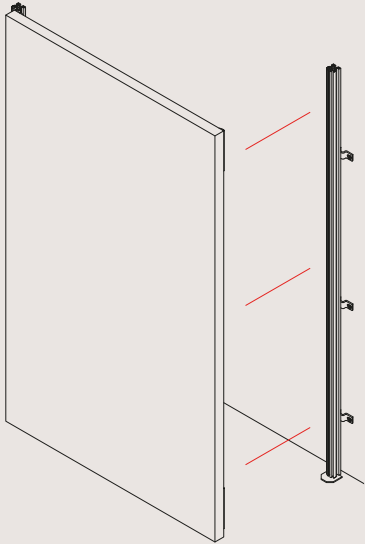


Once the plastic templates have been removed, you can clip the rack profile in which you have already inserted the metal brackets, onto the plastic clips.

5 _fix the panel with the second vertical rack to the first vertical rack previously fixed on wall

Clip the first wooden panel on the vertical rack profile fixed on the wall.

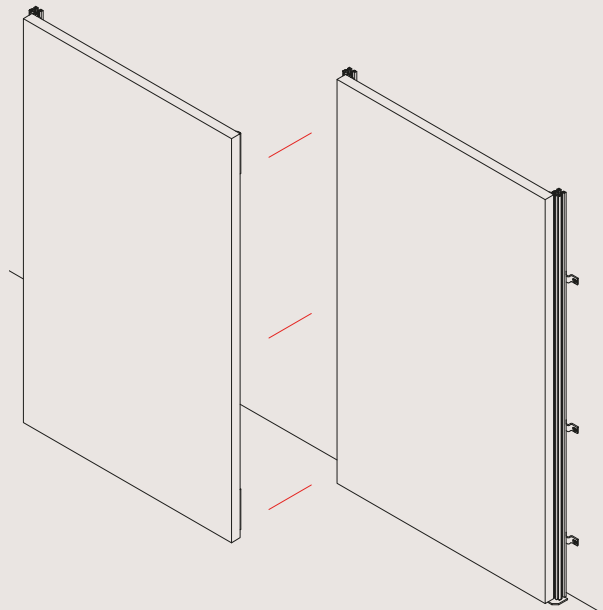
The position of the second vertical rack profile is given by the wooden panel.



6 _repeat to fix other panels

Clip the second wooden panel on the vertical rack profile fixed on the wall. The position of the next vertical rack profile is given by the wooden panel.

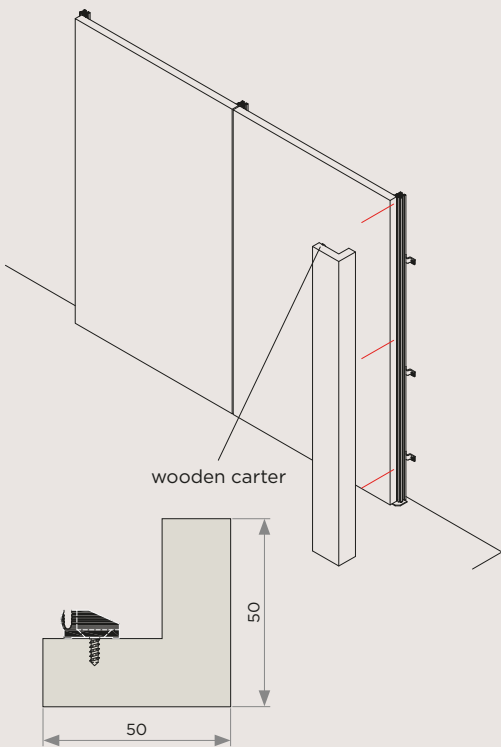
This operation can be repeated for the number of panels needed.



7 _fix the carter

Fix the carter to cover the last vertical rack profile.

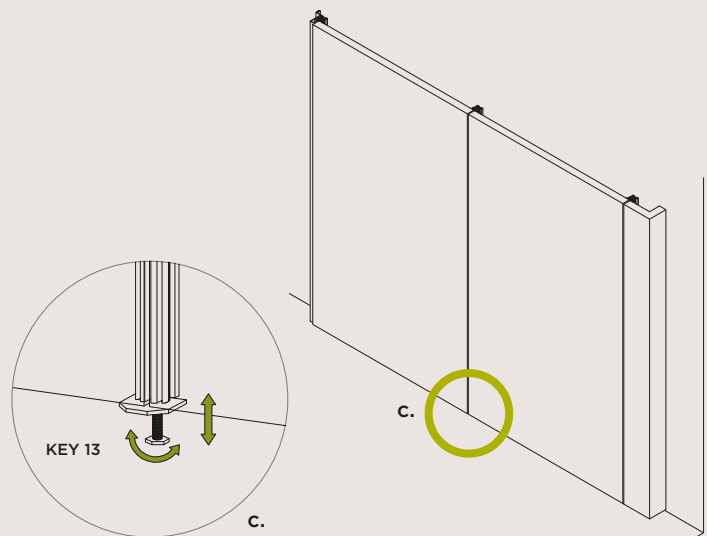
It is possible to use both aluminium or wooden carters.



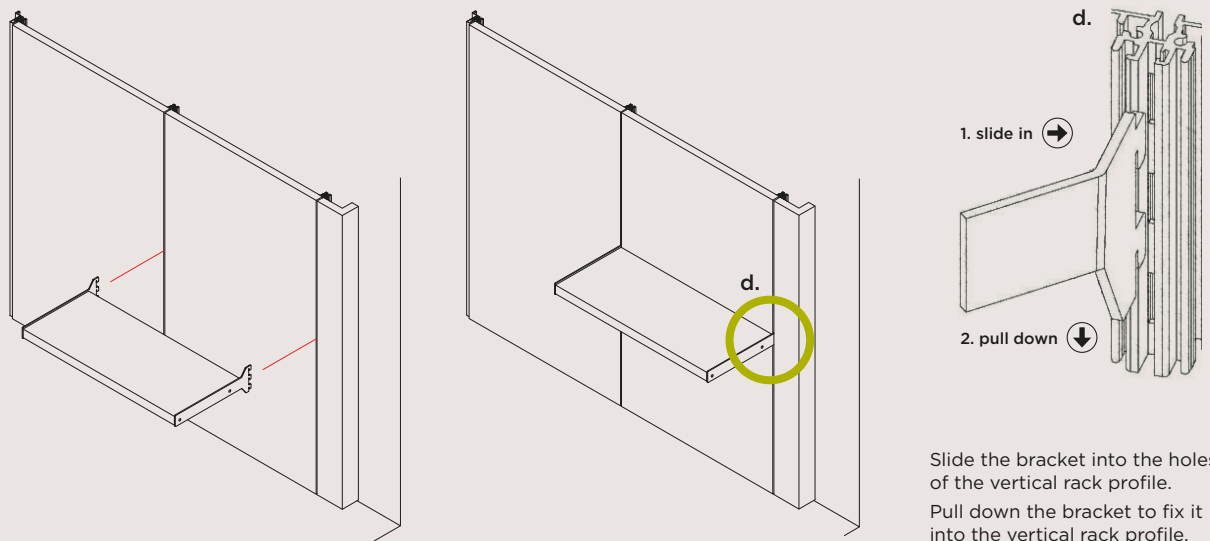
8 _adjust the system

Adjust the height of the panels by aligning the top and bottom edges thanks to the pre-mounted leveler assembled at the bottom of the vertical rack profile.

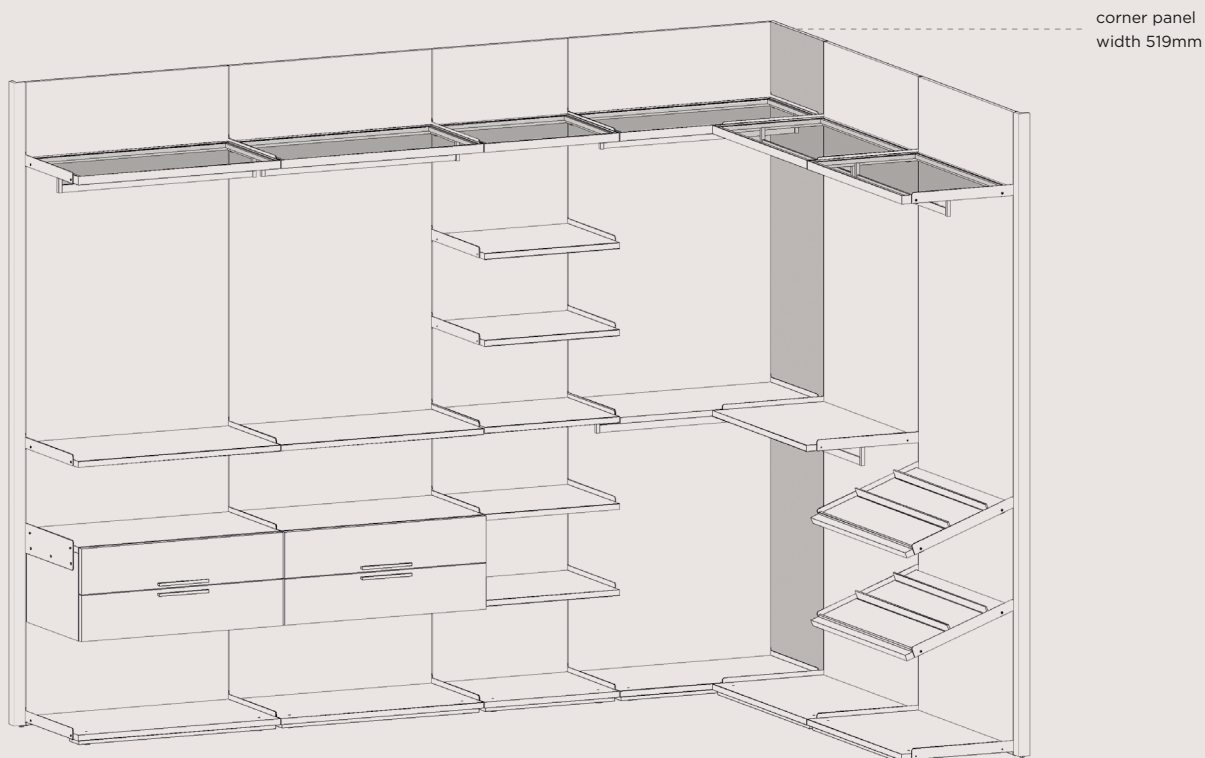
Tools required: Wrench Key 13



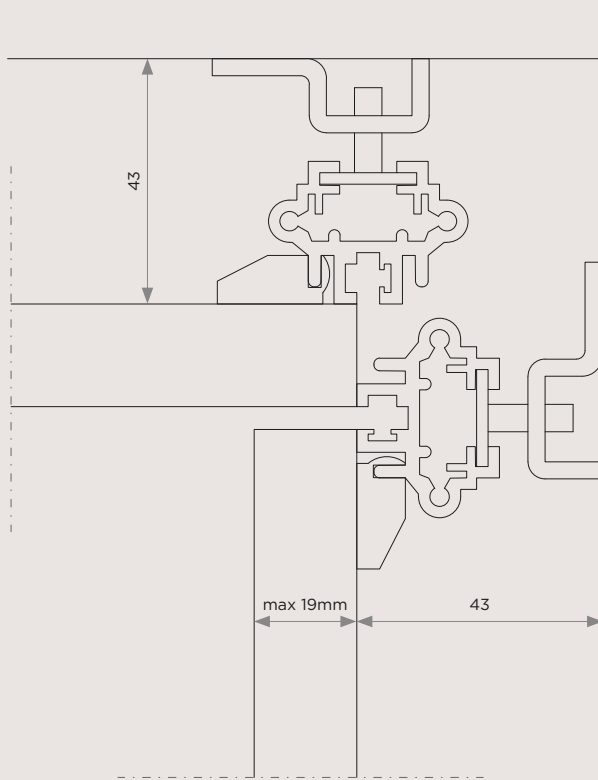
9 _how to fix the shelves and cabinet brackets onto the vertical profile



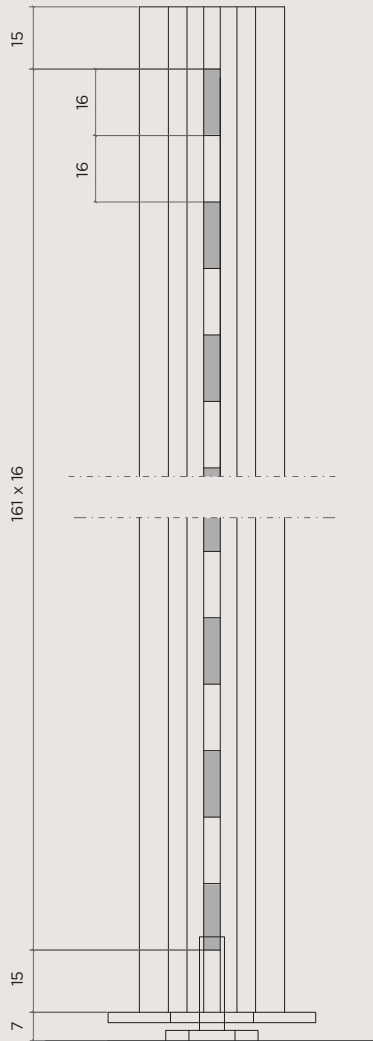
10 _how to make a corner application



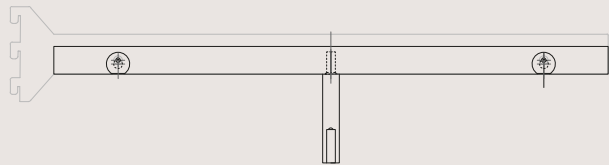
_corner



_pitch on vertical rack profile



_wooden shelf + shelf bracket



_01.2

WALK-IN CLOSET WITH BACK PANEL

_01.1 Technical information

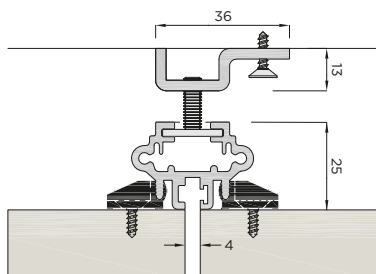
_01.2 Walk-in closet with back panel

_01.3 Walk-in closet without back panel



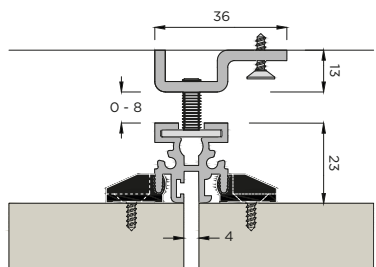
COMPONENTS FOR WALK-IN CLOSET WITH BACK PANEL

VERTICAL ALUMINIUM RACK PROFILE WITH 4MM GAP



ITEM	SPECIFICATIONS	LENGTH (mm)	BOX
CS159.101.001	Aluminium vertical profile	2606	10

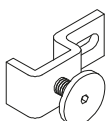
*can be used with or without electrified copper profile.



ITEM	SPECIFICATIONS	LENGTH (mm)	BOX
CS001.001.017	Aluminium vertical profile	2606	12

*to be used without electrified copper profile only.

METAL BRACKETS



ITEM	SPECIFICATIONS	BOX
CS001.005.001	Metal bracket for vertical rack profile with adjustments	200

PLASTIC CLIP



ITEM	SPECIFICATIONS	BOX
CS001.004.001	Plastic clip for back panels	200

UNIVERSAL BRACKETS FOR WOODEN AND ALUMINIUM SHELVES

ITEM	FINISHING	SHELF DEPTH (mm)	BOX
CS001.011.007	Zirconio	500	25
CS001.011.002	Brown Metal Grey	500	25
CS001.011.001	Silver Lead	500	25

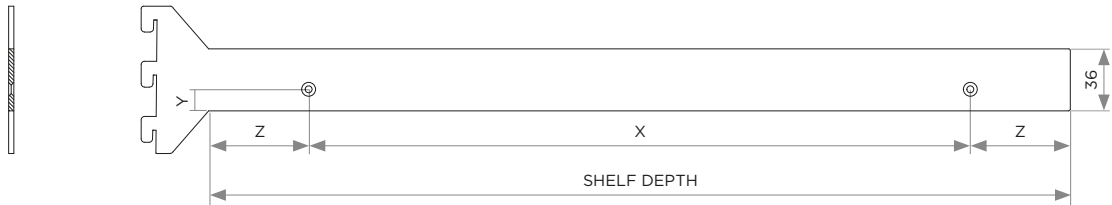
SHELF DEPTH 500(mm)

X	Y	Z
384	12.5	58

SHELF DEPTH 400(mm)

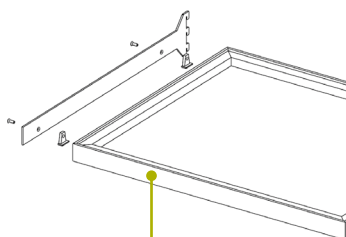
X	Y	Z
288	12.5	56

ITEM	FINISHING	SHELF DEPTH (mm)	BOX
CS001.011.008	Zirconio	400	25
CS001.011.005	Brown Metal Grey	400	25
CS001.011.004	Silver Lead	400	25



SHELF SUPPORTS FOR ALUMINIUM SHELF

EXTERNAL FIXING

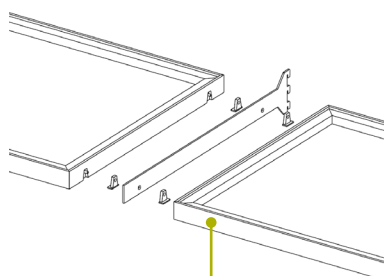


ALUMINIUM SHELF PROFILES
pag. 150 - 155

ITEM	SPECIFICATIONS	BOX
HP150.004.003	Kit composed by 2 shelf supports with thread. M4x8 screws included	50

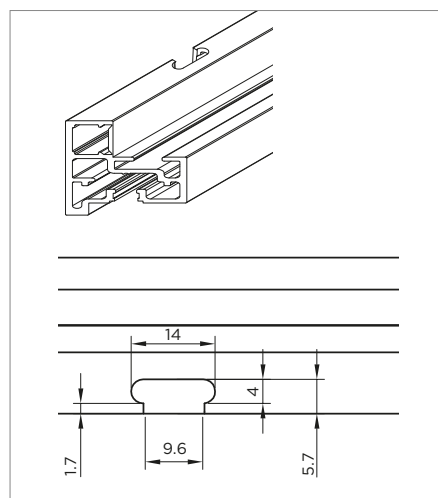
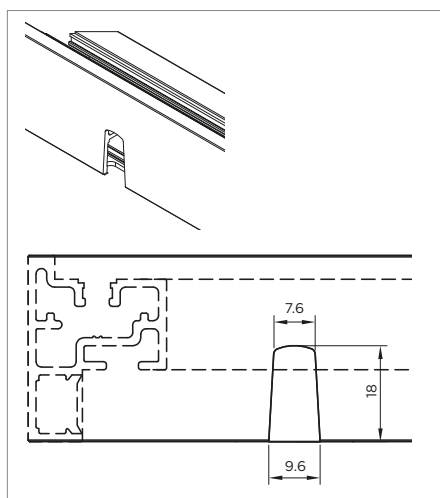


CENTRAL FIXING



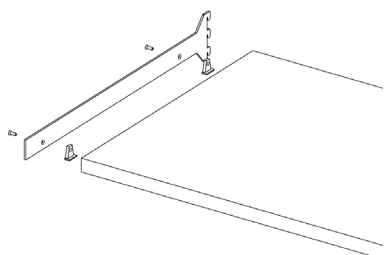
ALUMINIUM SHELF PROFILES
pag. 150 - 155

ITEM	SPECIFICATIONS	BOX
HP150.004.002	Kit composed by 2 shelf supports with thread and 2 shelf supports with passing hole. M4x12 screws included	50



SHELF SUPPORTS FOR WOODEN SHELF - PANEL MINIMUM THICKNESS 25MM

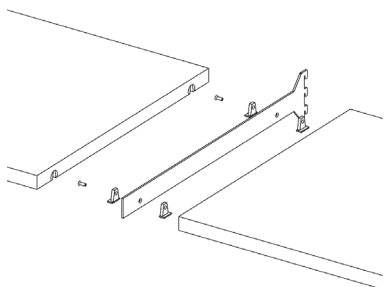
EXTERNAL FIXING



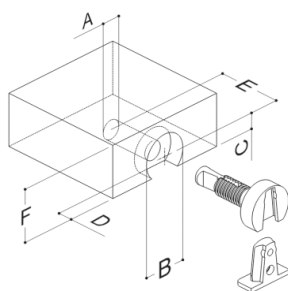
ITEM	SPECIFICATIONS	BOX
CS001.012.001	Kit composed by 2 shelf supports with thread and 2 plastic nuts for wooden panel. M4x8 screws included	50



CENTRAL FIXING



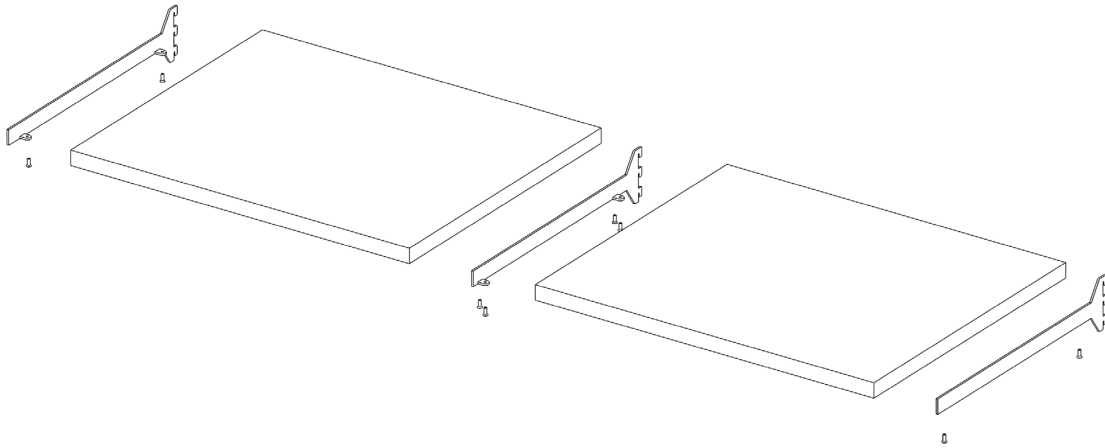
ITEM	SPECIFICATIONS	BOX
CS001.012.002	Kit composed by 2 shelf supports with thread, 2 shelf supports with passing hole and 4 plastic nuts for wooden panel. M4x12 screws included	50



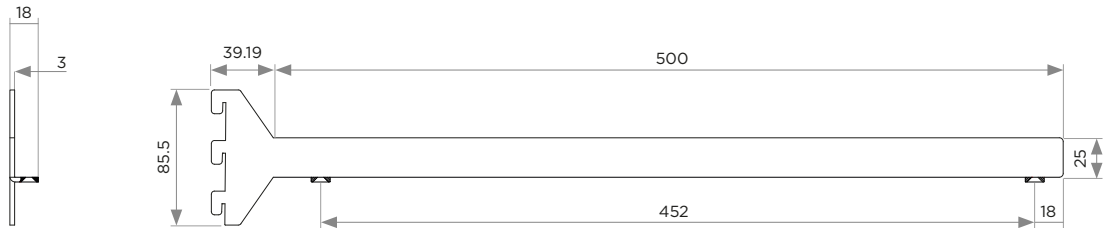
- A $\varnothing 9$
- B $\varnothing 21$
- C 7.5
- D 7
- E 31
- F 25

The use of our shelf supports is not mandatory.

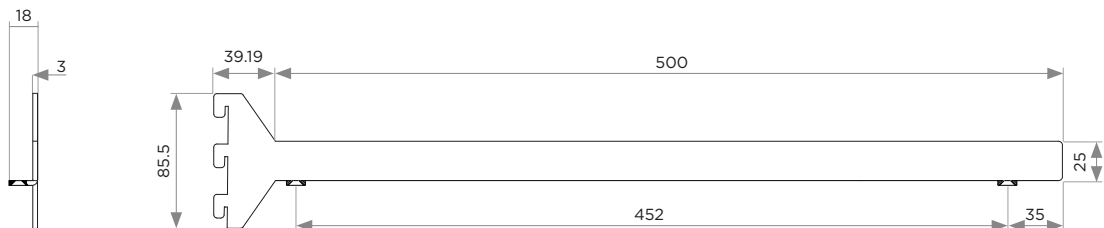
BRACKETS WITH LUGS



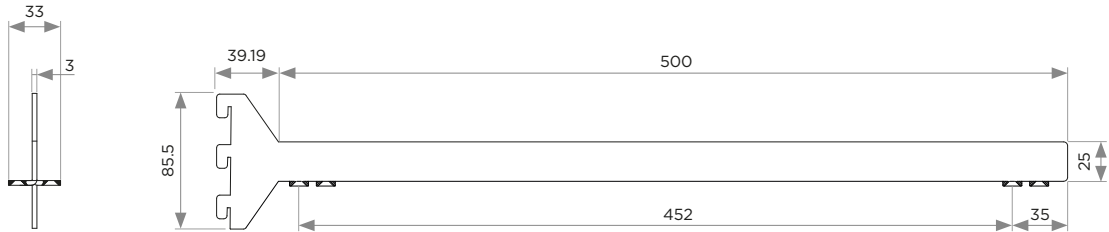
ITEM	SPECIFICATIONS	FINISHING	SHELF DEPTH (mm)	PANEL THICKNESS (mm)	BOX
CS001.002.083	Left	Zirconio	500	max 25	20
CS001.002.060	Left	Brown Metal Grey	500	max 25	20
CS001.002.072	Left	Silver Lead	500	max 25	20



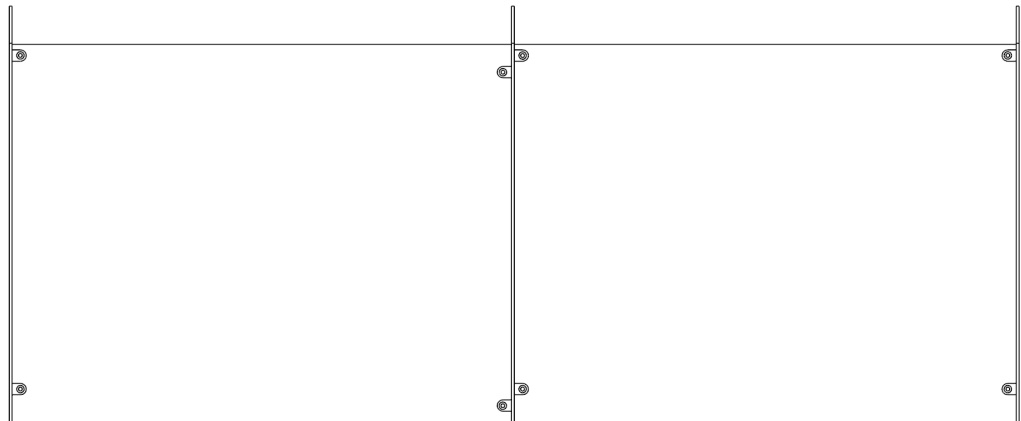
ITEM	SPECIFICATIONS	FINISHING	SHELF DEPTH (mm)	PANEL THICKNESS (mm)	BOX
CS001.002.084	Right	Zirconio	500	max 25	20
CS001.002.061	Right	Brown Metal Grey	500	max 25	20
CS001.002.074	Right	Silver Lead	500	max 25	20



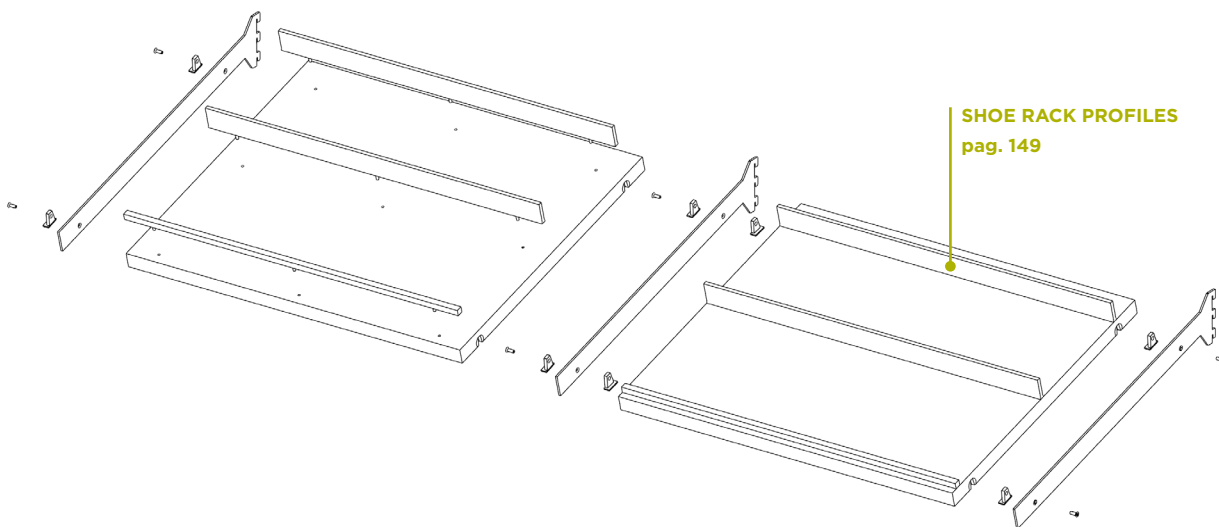
ITEM	SPECIFICATIONS	FINISHING	SHELF DEPTH (mm)	PANEL THICKNESS (mm)	BOX
CS001.002.085	Central	Zirconio	500	max 25	15
CS001.002.062	Central	Brown Metal Grey	500	max 25	15
CS001.002.078	Central	Silver Lead	500	max 25	15



_view of the lugs from the bottom



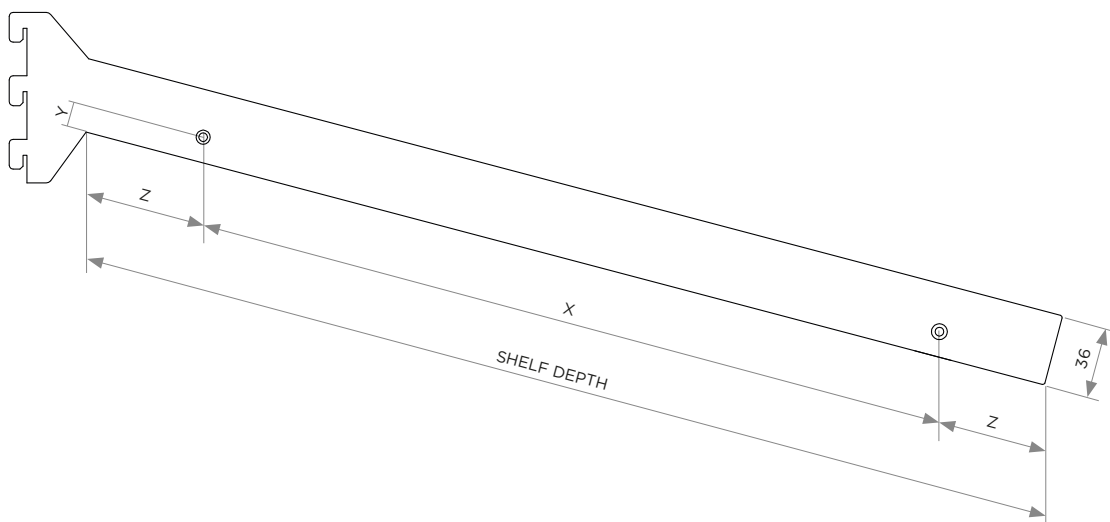
BRACKETS FOR SHOE RACKS



SHELF DEPTH 500(mm)

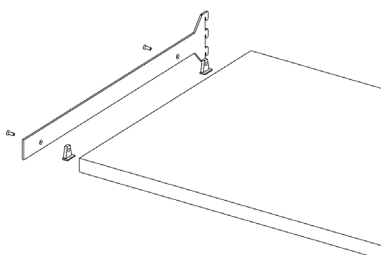
X	Y	Z
384	12.5	58

ITEM	FINISHING	SHELF DEPTH (mm)	BOX
CS001.010.010	Zirconio	500	25
CS001.010.007	Brown Metal Grey	500	25
CS001.010.006	Silver Lead	500	25



SHELF SUPPORTS FOR WOODEN SHELF - PANEL MINIMUM THICKNESS 25MM

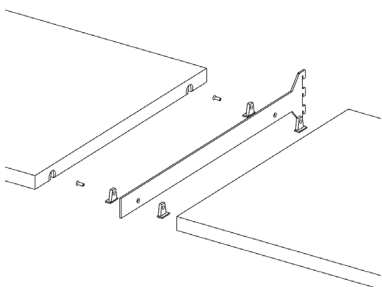
EXTERNAL FIXING



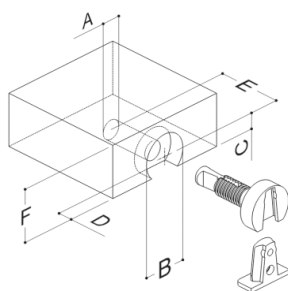
ITEM	SPECIFICATIONS	BOX
CS001.012.001	Kit composed by 2 shelf supports with thread and 2 plastic nuts for wooden panel. M4x8 screws included	50



CENTRAL FIXING



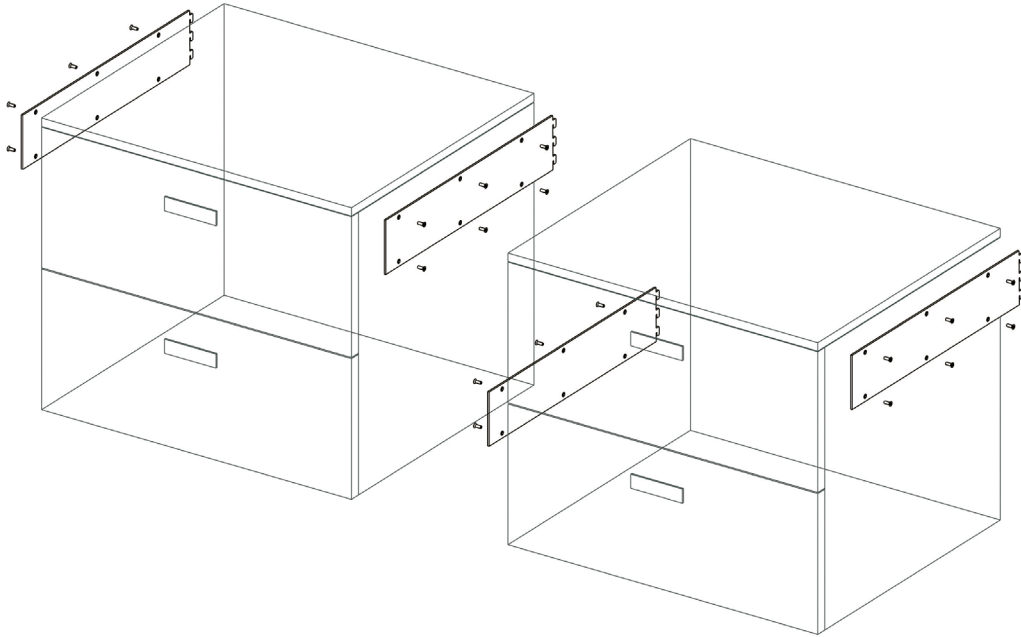
ITEM	SPECIFICATIONS	BOX
CS001.012.002	Kit composed by 2 shelf supports with thread, 2 shelf supports with passing hole and 4 plastic nuts for wooden panel. M4x12 screws included	50



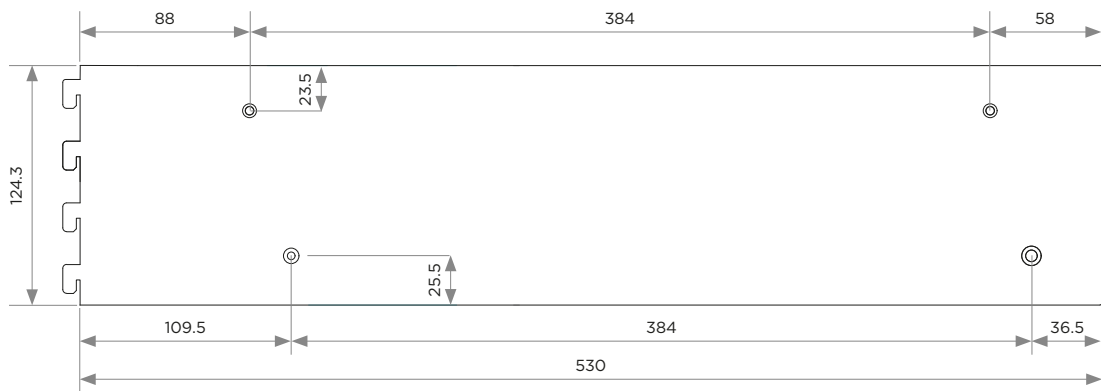
- A $\varnothing 9$
- B $\varnothing 21$
- C 7.5
- D 7
- E 31
- F 25

The use of our shelf supports is not mandatory.

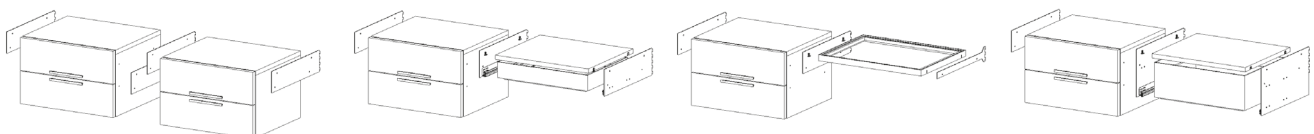
BRACKETS FOR DRAWER CHESTS



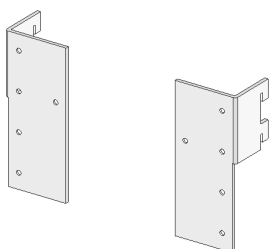
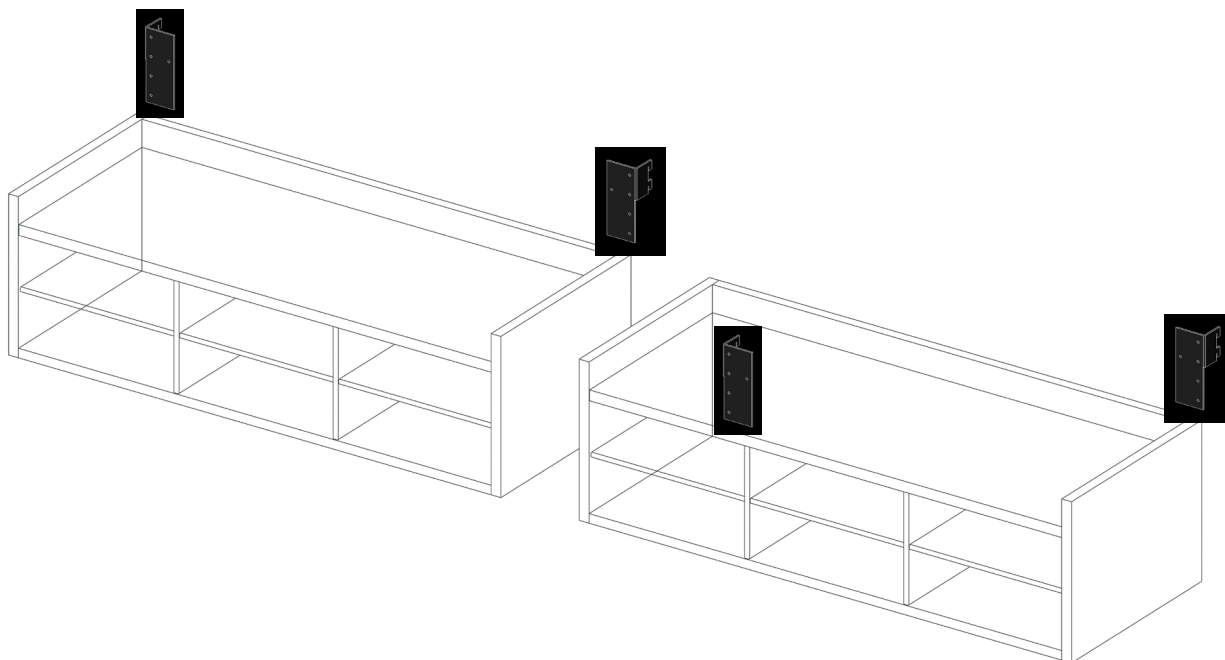
ITEM	FINISHING	SHELF DEPTH (mm)	HEIGHT (mm)	BOX
CS001.120.001	Zirconio	500	124	10
CS001.120.002	Brown Metal Grey	500	124	10
CS001.120.003	Silver Lead	500	124	10



APPLICATIONS EXAMPLES



■ INVISIBLE BRACKETS FOR RASTERS AND CABINETS



ITEM	SPECIFICATIONS	FINISHING	BOX
CS001.124.001	Set of Right + Left	Zirconio	25
CS001.124.002	Set of Right + Left	Brown Metal Grey	25
CS001.124.003	Set of Right + Left	Silver Lead	25

