

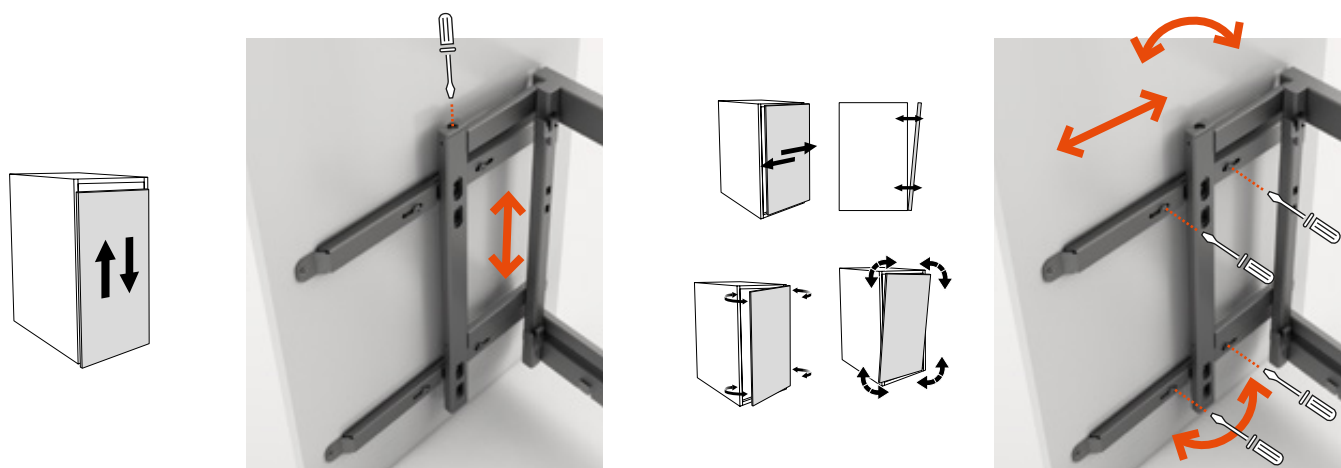
599H/599/597

Corner mechanism

Mechanism motion on opening 599H/599



Three-dimensional adjustment of the door 599/597



Mechanism with door brackets 599/597



Mechanism for hinged doors 599H

