

HOCHSCHRANK PLENO PLUS LARDER PULL-OUT

The efficient larder unit solution for an unbeatable overview and excellent accessibility



swiss made

CONFIGURATIONS



Libell shelves, white



Libell shelves, silver



Libell shelves, anthracite



Fiore shelves, anthracite

DISTINGUISHING FEATURES



- Just like in a fridge, the unit's contents are distributed across the door shelves and the pull-out
- Smaller groceries and spice jars in the door shelves
- Bigger bags and groceries in the top of the pull-out
- Large pots and dishes in the bottom of the pull-out

- The larger shelves slide out of the unit automatically when the doors are opened
- Everything in the unit is easy to reach – even items stored on the top shelf, since the shelves are only half the depth of the unit



- For hinged doors (with handles or handle-free with a push-to-open system)
- Can mounted on the right or on the left
- Soft opening and closing
- Mounted on ball bearings for smooth movement

- A full overview in just one easy step
- All the shelves slide out at the same time
- A time-saving solution → No more rummaging around
- A clear overview means no more spoilage
- Height-adjustable shelves
- Easy installation
- Just one set of fittings allows full use of all the space in the unit, even the top shelf

OPTIONS



Non-slip mat

The non-slip mat stops the unit's contents from sliding around.



Divider

Magnetic dividers are a flexible way for you to organise the space on your shelves and stop stored items from falling out of the unit.



Wooden boxes

Handmade oak boxes of various sizes for storing and organising small items. You can stack and rearrange them however you like.

TECHNICAL ILLUSTRATION

B= Unit widths	600 mm
T= Interior depth	500 mm
H= Interior height	1300 / 1600 / 1900 mm

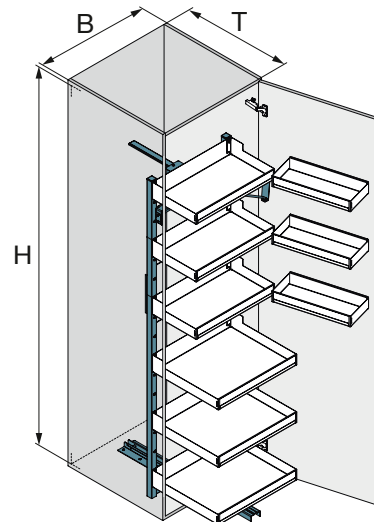
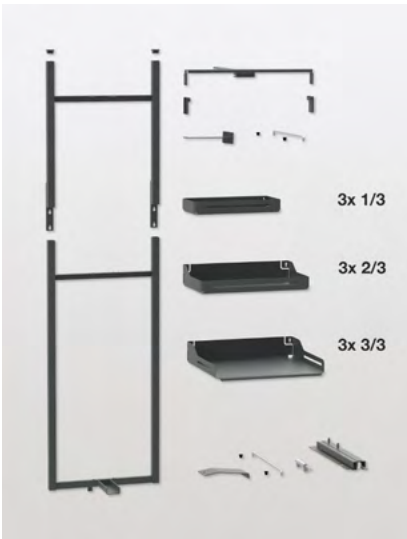


Illustration: Height 1900 mm



Hochschrank Pleno Plus Libell larder pull-out 1900

Complete mechanism set, including Libell clip-on shelves

- Compatible with standard hinges

Set includes:

- 1 main frame
- 1 frame top 1900
- 3 door shelves Libell 1/3 (depth 161 mm)
- 3 clip-on shelves Libell 2/3 (depth 268 mm)
- 3 clip-on shelves Libell 3/3 (depth 403 mm)
- 1 set of door connections
- 1 lower slide, including Softopen
- 1 upper slide

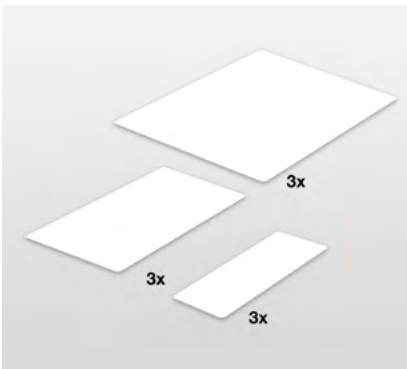
Opening angle: 110°

Load capacity extension runner: 100 kg

Load capacity door: max. 3 kg per shelf

Interior depth: min. 500

Unit width	Surface	Width	Depth	Height	Art. No.
600	white	562/568	495	1715	100.1136.01
600	silver	562/568	495	1715	100.1136.12
600	anthracite	562/568	495	1715	100.1136.43



Non-slip mat set magnetic Libell

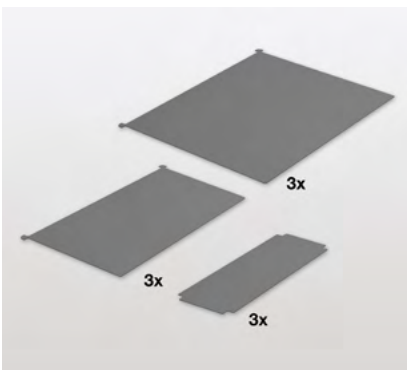
For the Libell clip-on shelves for Hochschrank Pleno Plus 1900

- Magnetic
- Easy to remove for cleaning

Set includes:

- 3 mats for door shelves Libell 1/3
- 3 mats for clip-on shelves Libell 2/3
- 3 mats for clip-on shelves Libell 3/3

Unit width	Surface	Width	Depth	Height	Art. No.
600	oyster white				100.1142.57



Non-slip mat set Standard Libell

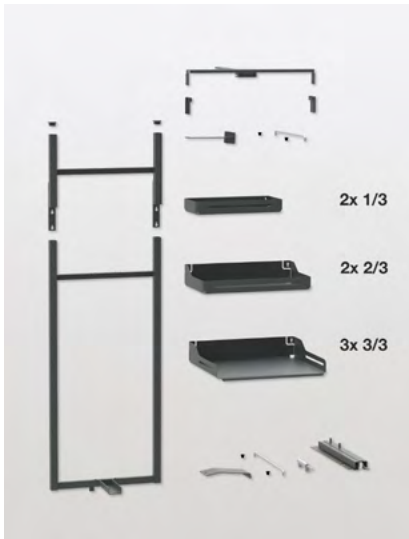
For the Libell clip-on shelves for Hochschrank Pleno Plus 1900

- Gummed on both sides
- Raised diamond pattern
- Easy to remove for cleaning

Set includes:

- 3 mats for door shelves Libell 1/3
- 3 mats for clip-on shelves Libell 2/3
- 3 mats for clip-on shelves Libell 3/3

Unit width	Surface	Width	Depth	Height	Art. No.
600	grey				100.1139.18



Hochschrank Pleno Plus Libell larder pull-out 1600

Complete mechanism set, including Libell clip-on shelves

- Compatible with standard hinges

Set includes:

- 1 main frame
- 1 frame top 1600
- 2 door shelves Libell 1/3 (depth 161 mm)
- 2 clip-on shelves Libell 2/3 (depth 268 mm)
- 3 clip-on shelves Libell 3/3 (depth 403 mm)
- 1 set of door connections
- 1 lower slide, including Softopen
- 1 upper slide

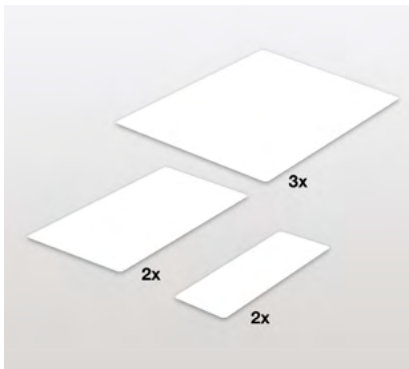
Opening angle: 110°

Load capacity extension runner: 100 kg

Load capacity door: max. 3 kg per shelf

Interior depth: min. 500

Unit width	Surface	Width	Depth	Height	Art. No.
600	white	562/568	495	1412	100.1137.01
600	silver	562/568	495	1412	100.1137.12
600	anthracite	562/568	495	1412	100.1137.43



Non-slip mat set magnetic Libell

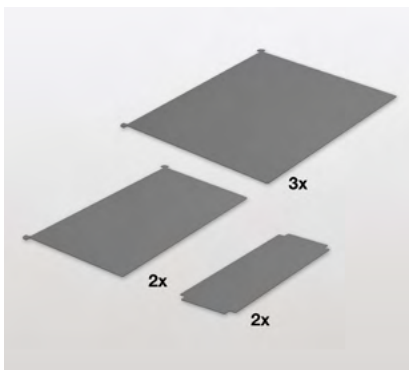
For the Libell clip-on shelves for Hochschrank Pleno Plus 1600

- Magnetic
- Easy to remove for cleaning

Set includes:

- 2 mats for door shelves Libell 1/3
- 2 mats for clip-on shelves Libell 2/3
- 3 mats for clip-on shelves Libell 3/3

Unit width	Surface	Width	Depth	Height	Art. No.
600	oyster white				100.1143.57



Non-slip mat set Standard Libell

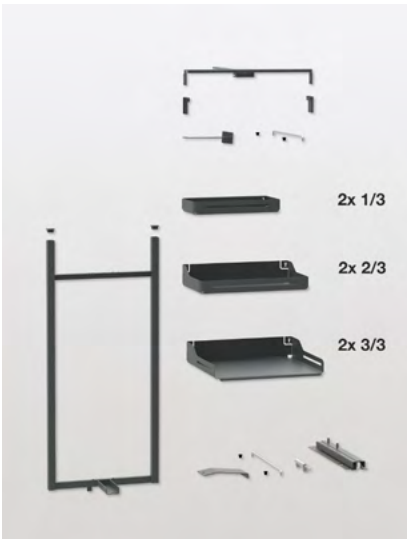
For the Libell clip-on shelves for Hochschrank Pleno Plus 1600

- Gummed on both sides
- Raised diamond pattern
- Easy to remove for cleaning

Set includes:

- 2 mats for door shelves Libell 1/3
- 2 mats for clip-on shelves Libell 2/3
- 3 mats for clip-on shelves Libell 3/3

Unit width	Surface	Width	Depth	Height	Art. No.
600	grey				100.1140.18



Hochschrank Pleno Plus Libell larder pull-out 1300

Complete mechanism set, including Libell clip-on shelves

- Compatible with standard hinges

Set includes:

- 1 main frame
- 2 door shelves Libell 1/3 (depth 161 mm)
- 2 clip-on shelves Libell 2/3 (depth 268 mm)
- 2 clip-on shelves Libell 3/3 (depth 403 mm)
- 1 set of door connections
- 1 lower slide, including Softopen
- 1 upper slide

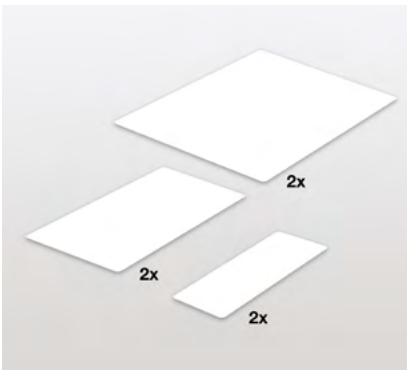
Opening angle: 110°

Load capacity extension runner: 100 kg

Load capacity door: max. 3 kg per shelf

Interior depth: min. 500

Unit width	Surface	Width	Depth	Height	Art. No.
600	white	562/568	495	1104	100.1138.01
600	silver	562/568	495	1104	100.1138.12
600	anthracite	562/568	495	1104	100.1138.43



Non-slip mat set magnetic Libell

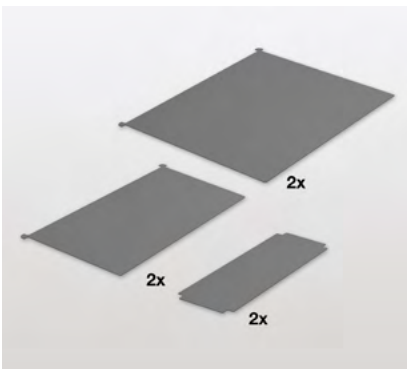
For the Libell clip-on shelves for Hochschrank Pleno Plus 1300

- Magnetic
- Easy to remove for cleaning

Set includes:

- 2 mats for door shelves Libell 1/3
- 2 mats for clip-on shelves Libell 2/3
- 2 mats for clip-on shelves Libell 3/3

Unit width	Surface	Width	Depth	Height	Art. No.
600	oyster white				100.1144.57



Non-slip mat set Standard Libell

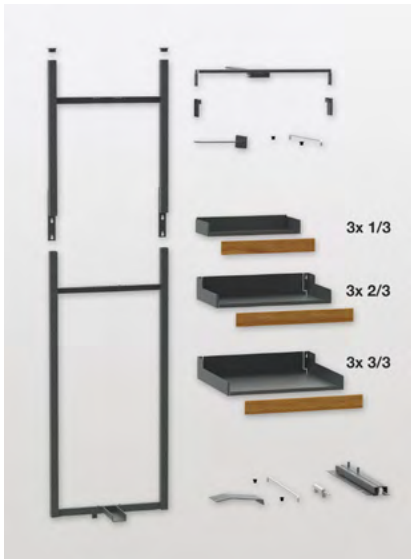
For the Libell clip-on shelves for Hochschrank Pleno Plus 1300

- Gummed on both sides
- Raised diamond pattern
- Easy to remove for cleaning

Set includes:

- 2 mats for door shelves Libell 1/3
- 2 mats for clip-on shelves Libell 2/3
- 2 mats for clip-on shelves Libell 3/3

Unit width	Surface	Width	Depth	Height	Art. No.
600	grey				100.1141.18



Hochschrank Pleno Plus Fiore larder pull-out 1900

Complete mechanism set, including Fiore clip-on shelves

- Compatible with standard hinges

Set includes:

- 1 main frame
- 1 frame top 1900
- 3 door shelves Fiore 1/3 (depth 161 mm)
- 3 clip-on shelves Fiore 2/3 (depth 268 mm)
- 3 clip-on shelves Fiore 3/3 (depth 403 mm)
- 9 wooden rails oak medium (height 52 mm)
- 1 set of door connections
- 1 lower slide, including Softopen
- 1 upper slide

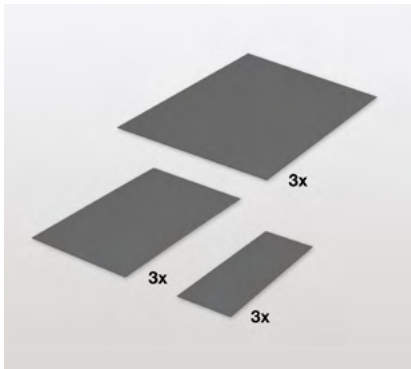
Opening angle: 110°

Load capacity extension runner: 100 kg

Load capacity door: max. 3 kg per shelf

Interior depth: min. 500

Unit width	Surface	Width	Depth	Height	Art. No.
600	anthracite	562/568	495	1715	100.1003.43



Non-slip mat set Standard Fiore

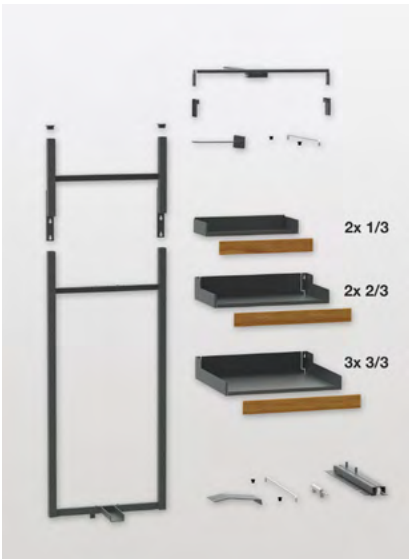
For the Fiore clip-on shelves for Hochschrank Pleno Plus 1900

- Gummed surface
- Raised diamond pattern
- Easy to remove for cleaning

Set includes:

- 3 mats for door shelves Libell 1/3
- 3 mats for clip-on shelves Libell 2/3
- 3 mats for clip-on shelves Libell 3/3

Unit width	Surface	Width	Depth	Height	Art. No.
600	grey				100.1011.18



Hochschrank Pleno Plus Fiore larder pull-out 1600

Complete mechanism set, including Fiore clip-on shelves

- Compatible with standard hinges

Set includes:

- 1 main frame
- 1 frame top 1600
- 2 door shelves Fiore 1/3 (depth 161 mm)
- 2 clip-on shelves Fiore 2/3 (depth 268 mm)
- 3 clip-on shelves Fiore 3/3 (depth 403 mm)
- 7 wooden rails oak medium (height 52 mm)
- 1 set of door connections
- 1 lower slide, including Softopen
- 1 upper slide

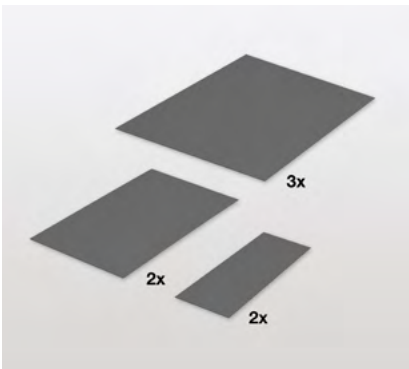
Opening angle: 110°

Load capacity extension runner: 100 kg

Load capacity door: max. 3 kg per shelf

Interior depth: min. 500

Unit width	Surface	Width	Depth	Height	Art. No.
600	anthracite	562/568	495	1412	100.1131.43



Non-slip mat set Standard Fiore

For the Fiore clip-on shelves for Hochschrank Pleno Plus 1600

- Gummed surface
- Raised diamond pattern
- Easy to remove for cleaning

Set includes:

- 2 mats for door shelves Libell 1/3
- 2 mats for clip-on shelves Libell 2/3
- 3 mats for clip-on shelves Libell 3/3

Unit width	Surface	Width	Depth	Height	Art. No.
600	grey				100.1134.18

Hochschrank Pleno Plus Fiore larder pull-out 1300

Complete mechanism set, including Fiore clip-on shelves

- Compatible with standard hinges

Set includes:

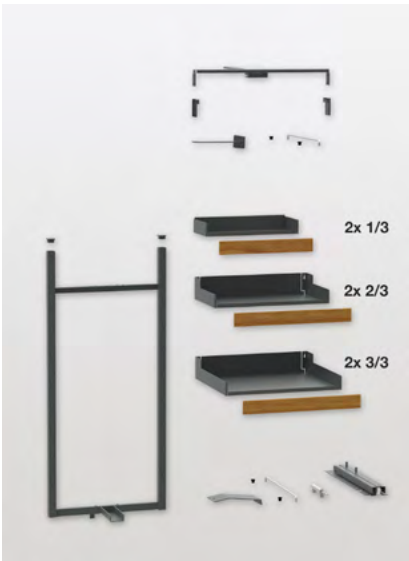
- 1 main frame
- 2 door shelves Fiore 1/3 (depth 161 mm)
- 2 clip-on shelves Fiore 2/3 (depth 268 mm)
- 2 clip-on shelves Fiore 3/3 (depth 403 mm)
- 6 wooden rails oak medium (height 52 mm)
- 1 set of door connections
- 1 lower slide, including Softopen
- 1 upper slide

Opening angle: 110°

Load capacity extension runner: 100 kg

Load capacity door: max. 3 kg per shelf

Interior depth: min. 500



Unit width	Surface	Width	Depth	Height	Art. No.
600	anthracite	562/568	495	1104	100.1133.43

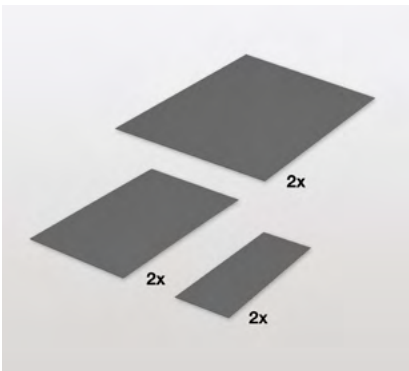
Non-slip mat set Standard Fiore

For the Fiore clip-on shelves for Hochschrank Pleno Plus 1300

- Gummed surface
- Raised diamond pattern
- Easy to remove for cleaning

Set includes:

- 2 mats for door shelves Libell 1/3
- 2 mats for clip-on shelves Libell 2/3
- 2 mats for clip-on shelves Libell 3/3



Unit width	Surface	Width	Depth	Height	Art. No.
600	grey				100.1135.18



Wooden box “low” Pleno Plus

For clip-on shelf Fiore for Hochschrank Pleno Plus

1x small, low-sided boxes (247 x 148 x 50 mm)

Unit width	Surface	Width	Depth	Height	Art. No.
600	Light oak	247	148	50	100.0900.36



Wooden box set “low” Pleno Plus

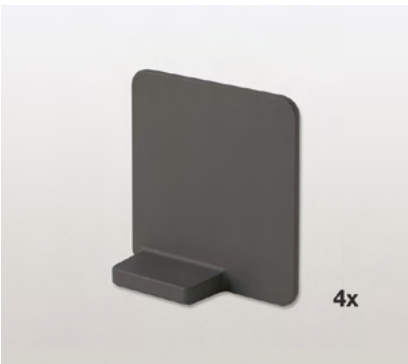
For clip-on shelf Fiore for Hochschrank Pleno Plus

Set includes:

1x horizontal bracket (473 x 102 x 87 mm)

2x small, low-sided boxes (247 x 148 x 50 mm)

Unit width	Surface	Width	Depth	Height	Art. No.
600	Light oak	473	398	50 / 87	100.0907.36



Divider set magnetic

For Libell and Fiore shelves

- Can be attached to the shelf (base or side) or the non-slip mat

Set of 4 pieces

	Surface	Width	Depth	Height	Art. No.
	white	85	26 / 3	90	100.1121.51
	grey	85	26 / 3	90	100.1121.52
	anthracite	85	26 / 3	90	100.1121.43



Adapter for framed front panel

For Pleno Plus larder units with framed front panels

For mounting the door shelves on doors with frames

	Surface	Width	Depth	Height	Art. No.
	white	550	3	55	100.1160.01
	silver	550	3	55	100.1160.12
	anthracite	550	3	55	100.1160.43