

**WIDE RANGE
SLIDING SYSTEM
- SW SLIDING DOOR**



SW sliding system

In line sliding system - SWL001



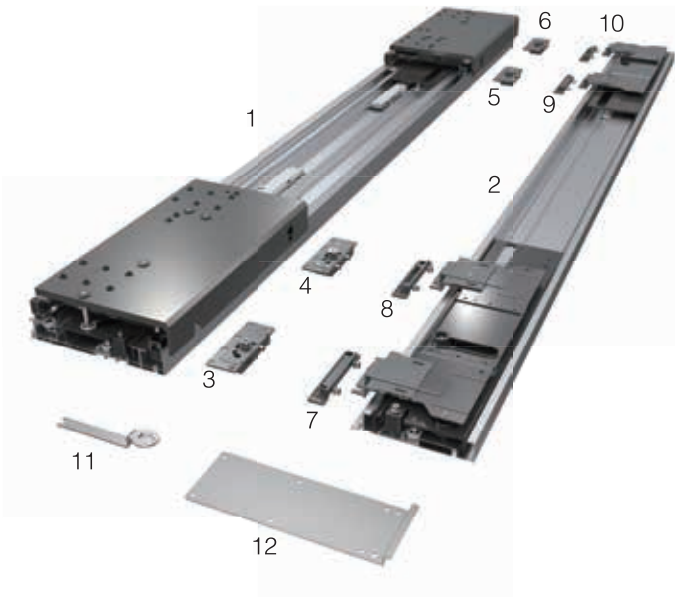
**“Flush design of sliding door
for big cabinet ”**

“Flexible cabinet width and efficient installation ”



SW sliding system

In line sliding system - SWL001



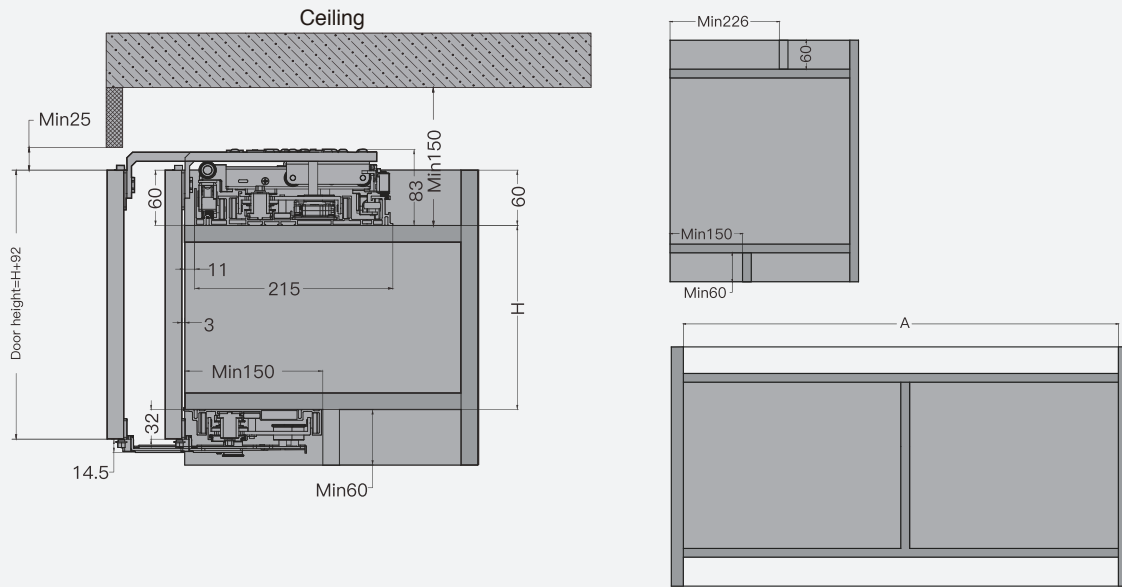
- In line sliding system
- Door height $\leq 2400\text{mm}$
- Soft-close system
- 80KG single door loading capacity
- Damper with anti jumping and anti-decoupling
- 45mm door thickness



	Item	Quantity (2 doors)
1	Top track	1 pc
2	Bottom track	1 pc
3 & 6	Top runner side regulator	2 pcs
4 & 5	Top runner middle regulator	2 pcs
7 & 10	Bottom runner side regulator	2 pcs
8 & 9	Bottom runner middle regulator	2 pcs
11	Spanner	1 pc
12	Drill position template	1 pc

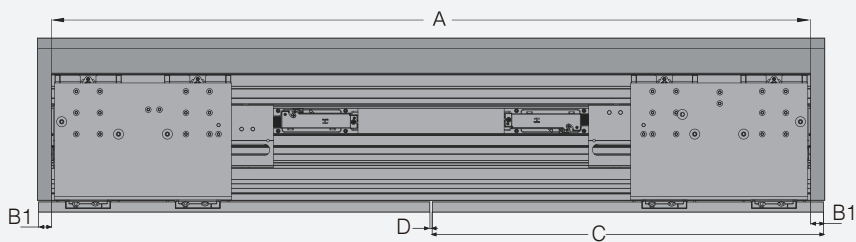
Item No.	Internal cabinet width	Track length	Remark
SWL001-1	1350-1650mm	1350-1650mm	Cut freely within the range
SWL001-2	1651-2050mm	1651-2050mm	Cut freely within the range
SWL001-3	2051-2450mm	2051-2450mm	Cut freely within the range
SWL001-4	2451-2850mm	2451-2850mm	Cut freely within the range

Cabinet requirements



Door dimension

*Door overlay



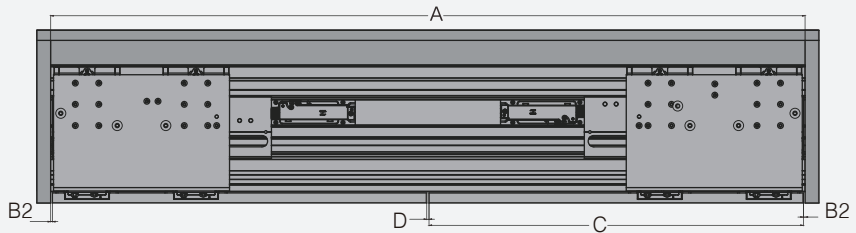
Door thickness (Handle include) $\leq 45\text{mm}$

Door height $\leq 2400\text{mm}$

Door overlay width = $(A+2 \times B1-D)/2$

Door inset width = $(A-2 \times B2-D)/2$

*Door inset



A = Internal cabinet width

B1 = Cover side panel width

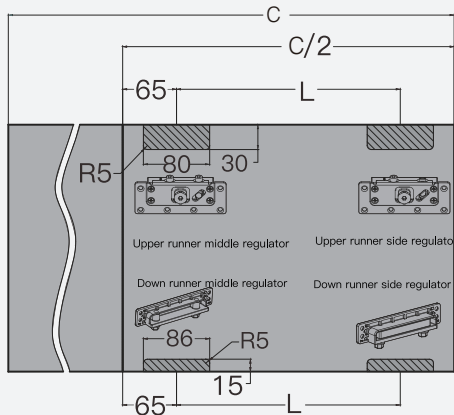
B2 = Gap of door and side panel

C = Door width

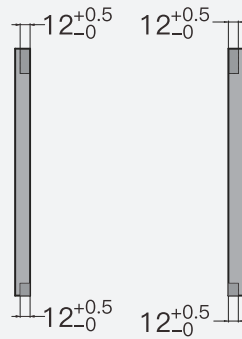
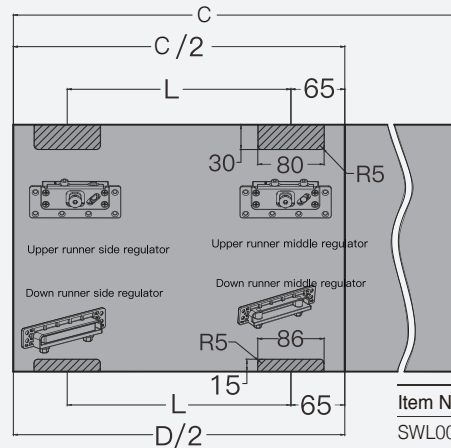
D = Gap of door $\geq 4\text{mm}$

Door installation

Left door



Right door



Item No.	L
SWL001-1	195
SWL001-2	270
SWL001-3	370
SWL001-4	470

SW sliding system

In line sliding system - SWL002

“Common system for top and bottom cabinet”

For hanging or base cabinet solution, one hardware system can be applied.

Minimal design to make your cabinet more elegant.





“Convenient operation with 100% door opening”

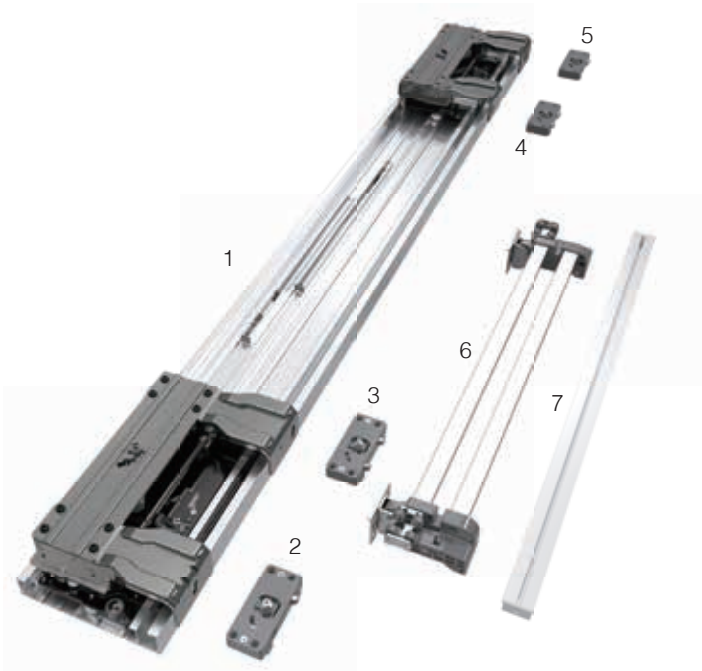
Flush design of sliding solution without handles or flexible handle design.

Easy installation with pre-mounted running system.

Adjustment with easy operation.

SW sliding system

In line sliding system - SWL002



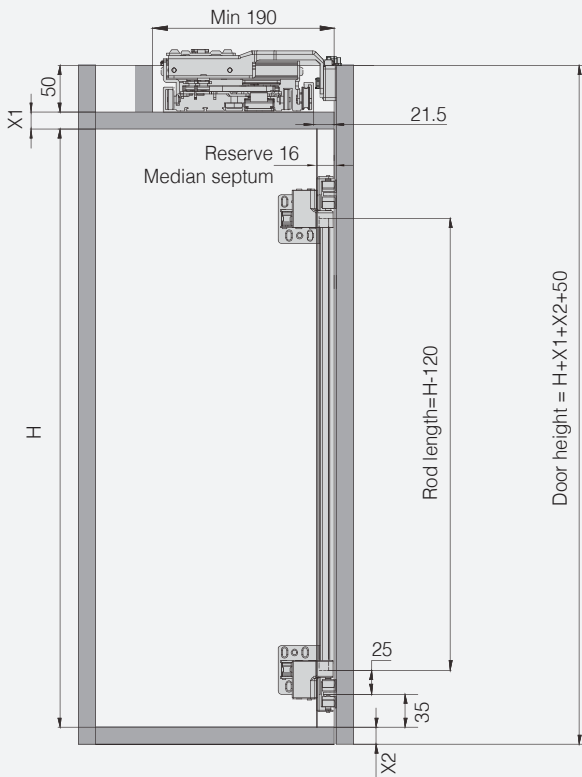
- For hanging cabinet or base cabinet
- In line sliding system
- Door height $\leq 1000/1500\text{mm}$
- Soft-close system
- 20KG single door loading capacity
- Damper with anti jumping and anti-decoupling
- 1150-1750/1751-2350mm internal cabinet width
- 15-22mm door thickness



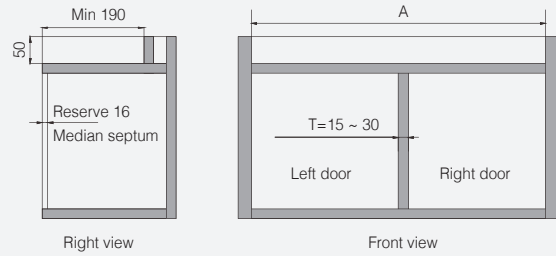
	Item	Quantity (2 doors)
1	Track	1 pc
2	Left door side regulator	1 pc
3	Left door middle regulator	1 pc
4	Right door middle regulator	1 pc
5	Right door side regulator	1 pc
6	Connecting rod	2 pcs
7	Door rail	4 pcs

Item No.	Internal cabinet width	Door width (Cover side panel 22mm)	Door height
SWL002-1	1150-1750mm	600-900mm	$\leq 1000\text{mm}$
SWL002-2	1751-2350mm	900-1200mm	$\leq 1500\text{mm}$

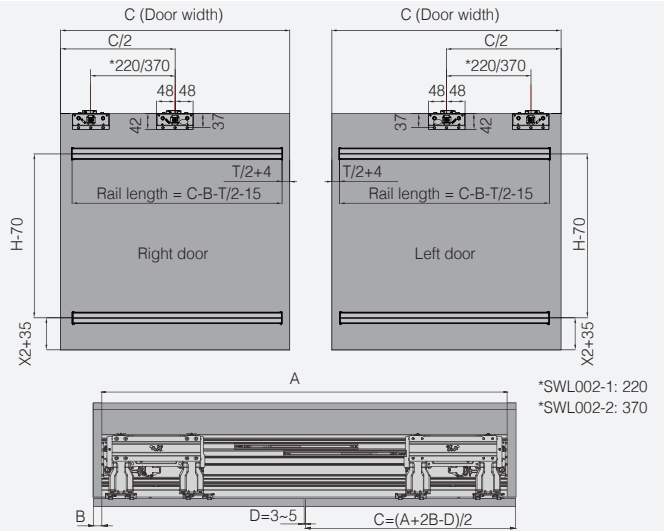
Hanging cabinet installation



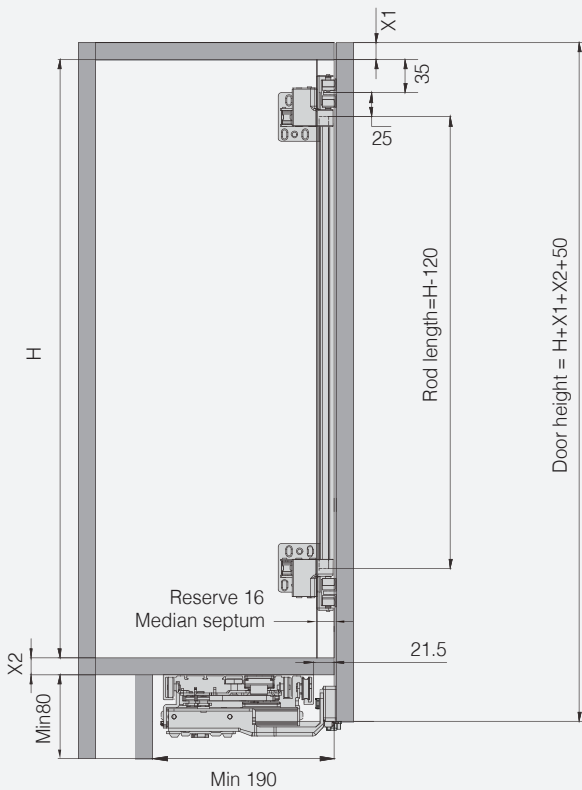
Cabinet requirements



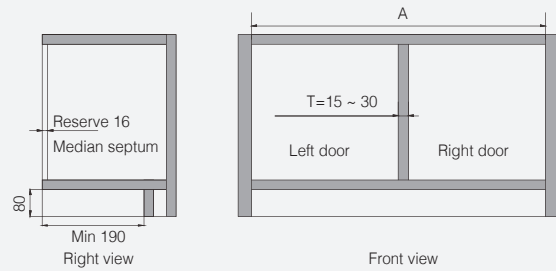
Door dimension



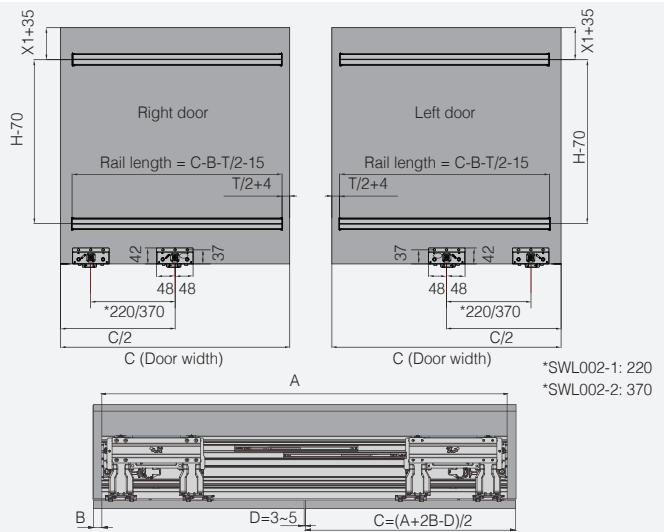
Base cabinet installation



Cabinet requirements



Door dimension



Top hanging system

SWT003



SW sliding system

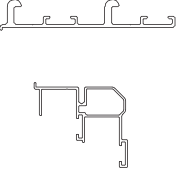
Top hanging sliding system - SWT003

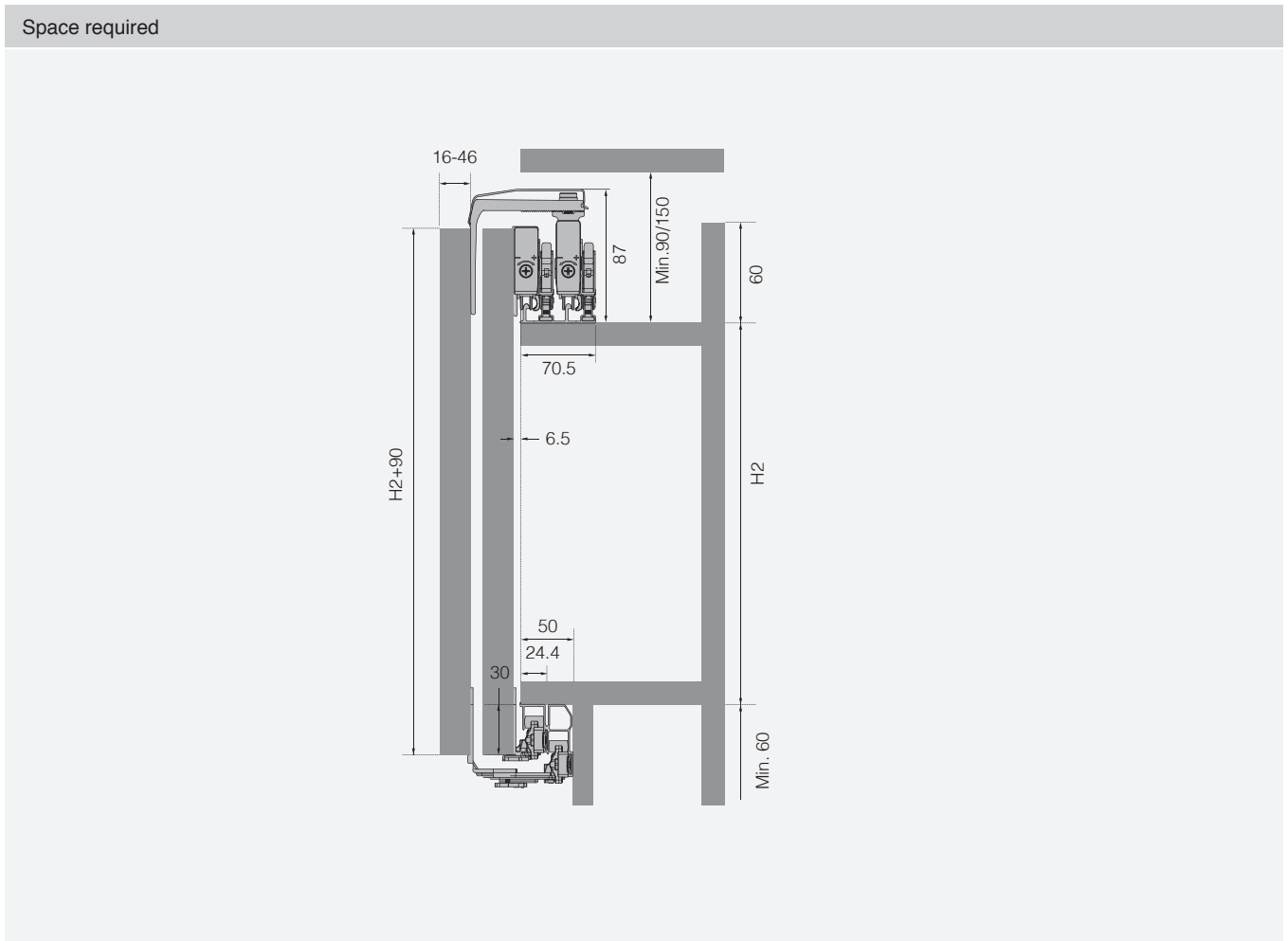
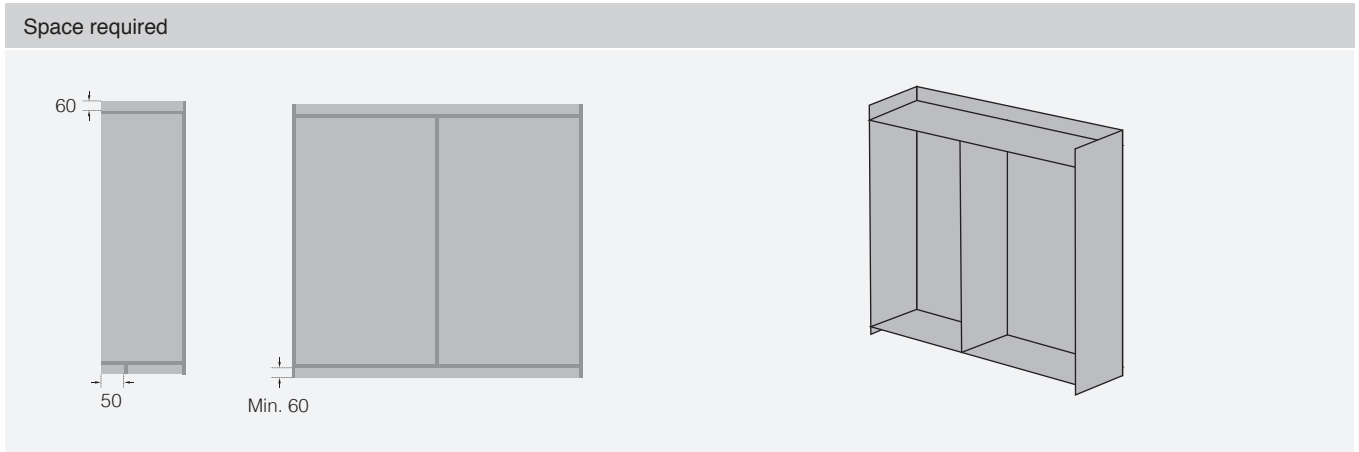


- Top hanging sliding system
- Soft-close system
- 80KG/door loading capacity
- Damper with anti jumping and anti-decoupling
- 700-1500mm door width
- 16-46mm door thickness
- Door height ≤2500mm



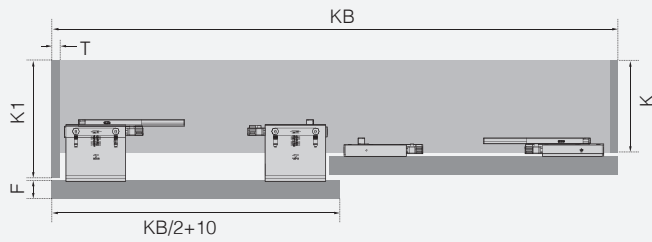
	Item	Quantity (2 doors)		Quantity (3 doors)	
		Single side soft-close	Double soft-close	Double soft-close	Triple soft-close
	Left upper runner for outside door	1 pc	1 pc	1 pc	1 pc
	Right upper runner for outside door	1 pc	1 pc	1 pc	1 pc
	Left upper runner for inside door	1 pc	1 pc	2 pcs	2 pcs
	Right upper runner for inside door	1 pc	1 pc	2 pcs	2 pcs
	Lower runner for outside door	2 pcs	2 pcs	2 pcs	2 pcs
	Lower runner for inside door	2 pcs	2 pcs	4 pcs	4 pcs
	Upper damper	2 pcs	4 pcs	4 pcs	6 pcs
	Lower damper	2 pcs	4 pcs	4 pcs	4 pcs
	Upper stopper	2 pcs	4 pcs	4 pcs	4 pcs
	Anti pinch device	1 pc	1 pc	2 pcs	2 pcs
	Anti collide stopper	0 pc	0 pc	0 pc	1 pc
	Position template	1 pc	1 pc	1 pc	1 pc
Item No.		SWT003-1	SWT003-2	SWT003-3	SWT003-4

	Item	Item No.	Remark
	Upper and lower rail	SWT03-R	3000mm length;



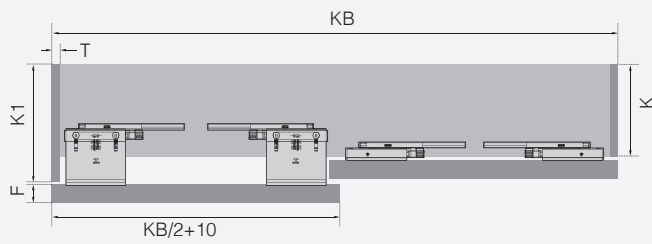
Installation dimension of doors

Single side soft close for 2 doors

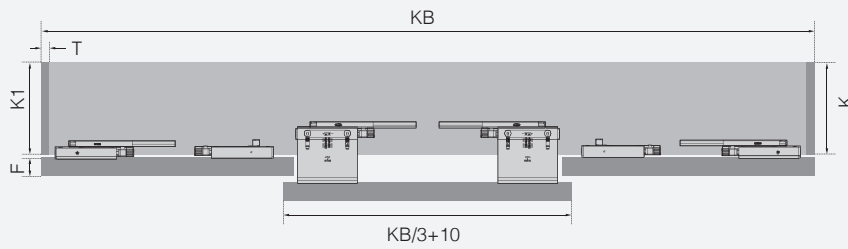


T: Thickness of side panel
KB: Cabinet width
F: Thickness of front panel
 $K1=K+F+8$

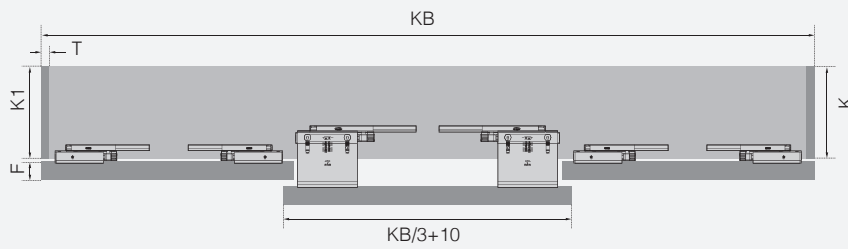
Double soft close for 2 doors



Double soft close for 3 doors

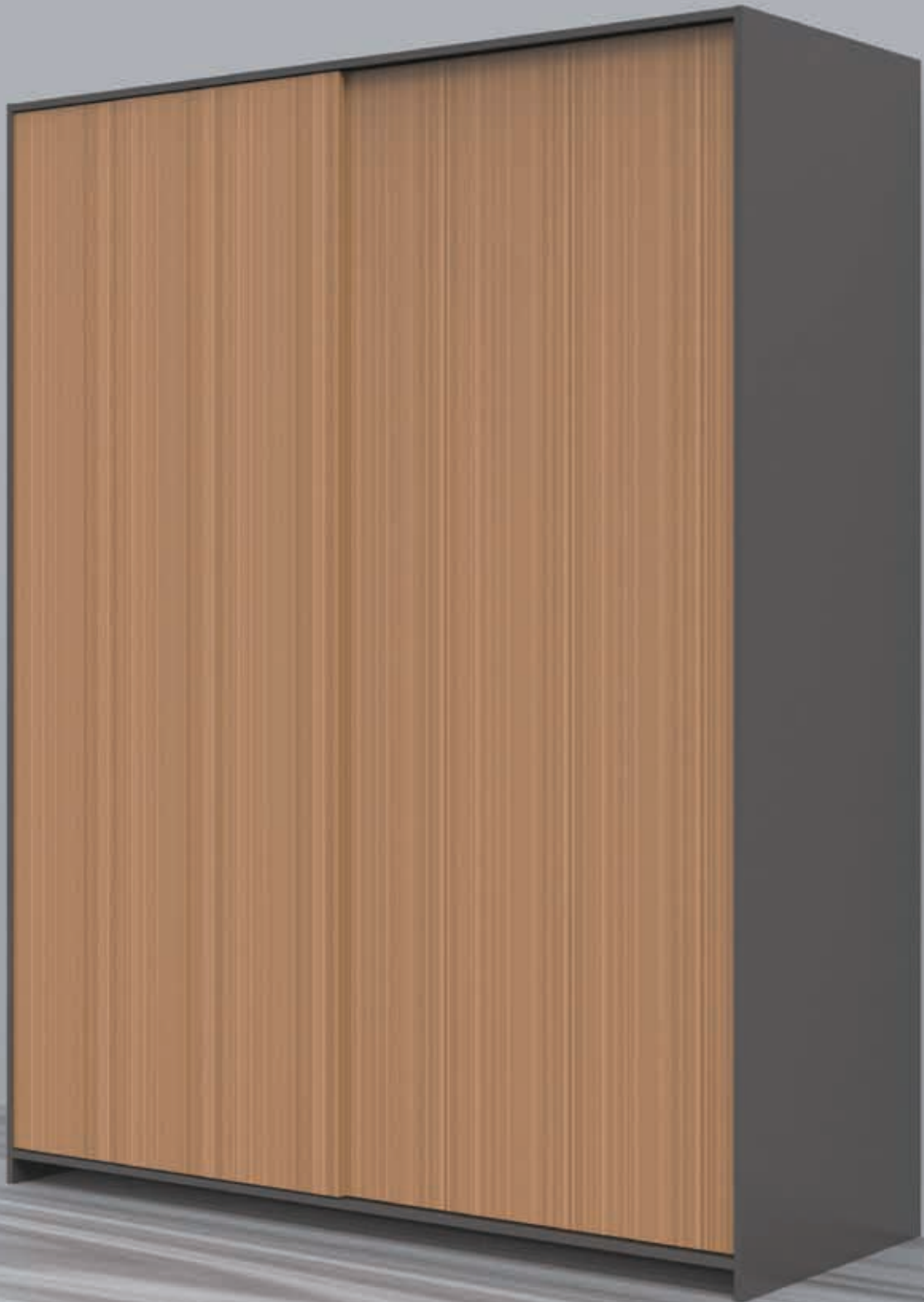


Triple soft close for 3 doors



Bottom runner system

SWB005







SW sliding system


Bottom runner sliding system - SWB005



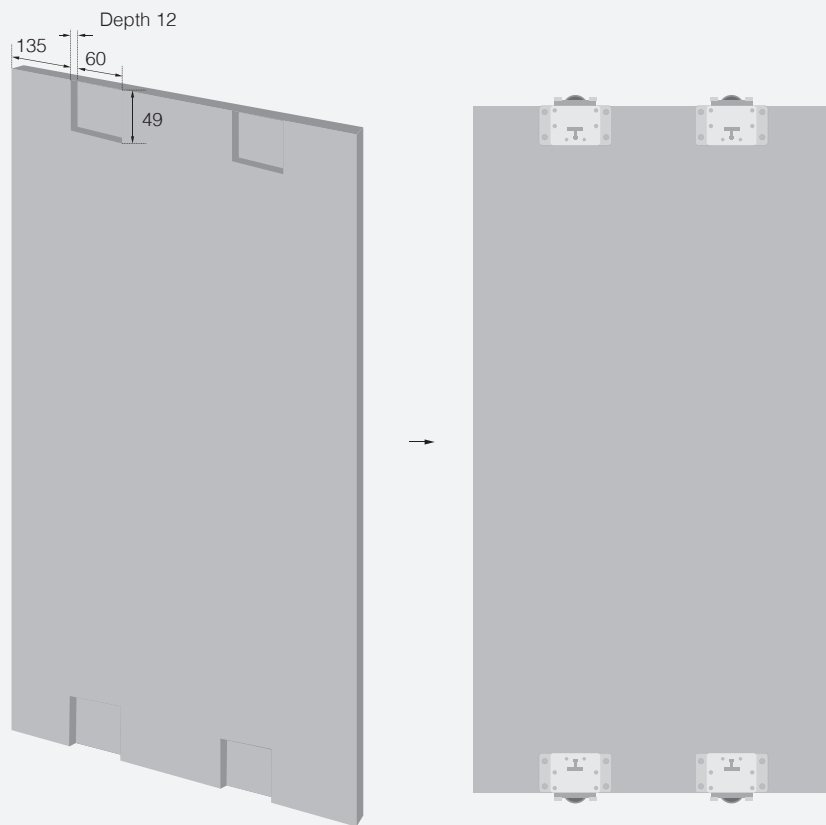
- Bottom runner sliding system
- Recess mounting
- Soft-close system
- 50KG/door loading capacity
- Damper with anti jumping and anti-decoupling
- 500-1200mm door width
- Max. 20mm wooden door thickness
- Max. 34mm aluminium frame door thickness
- Door height ≤2500mm



	Item	Quantity (2 doors)	Quantity (3 doors)	Quantity (4 doors)
	Runner	8 pcs	12 pcs	18 pcs
	Damper	4 pcs	4 pcs	4 pcs
	Fixing accessories	1 pc	1 pc	1 pc
	ST4x16 screw	32 pcs	48 pcs	64 pcs
Item No.		SWB005-1	SWB005-2	SWB005-3

	Item	Item No.	Remark
	Rail set	SWB05-R	3000mm length;

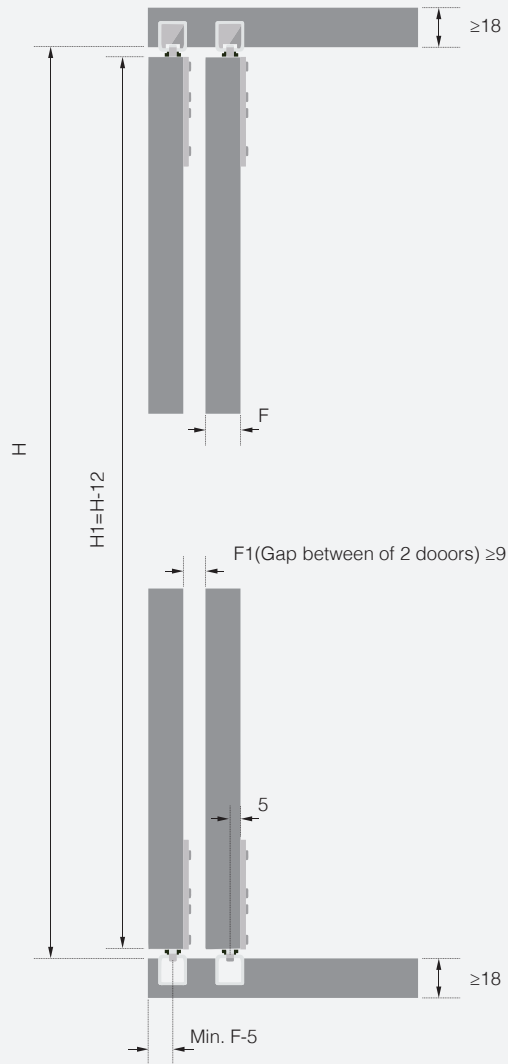
Installation dimension



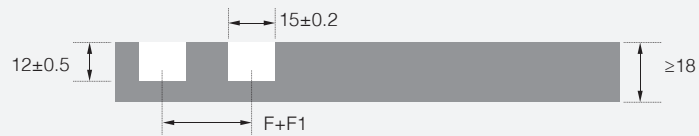
Installation damper



Space required



Slot dimension for rail



For more information, please visit CEMUX.CO.UK
or contact us email CEMUX@CEMUX.CO.UK

CEMUX
LIVE YOUR LIFE

CEMUX TECHNOLOGY UK LTD

Churchill House 142-146 Old Street,
London,
UK
EC1V 9BW
Tel : 0044 207 1831008

CEMUX TECHNOLOGY IRELAND WAREHOUSE

Kilkeary,
Nenagh,
Co. Tipperary
Ireland
Tel: 00353 67 31471