

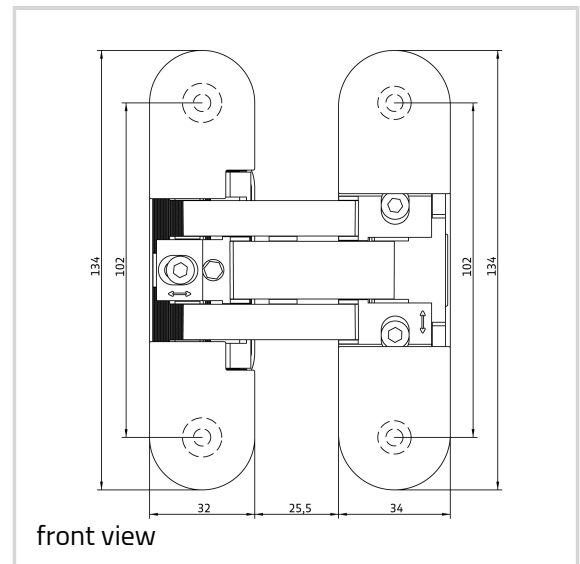
AN 141 3D FVZ 14/44

for unrebated 44 mm thick residential doors with 14 mm recessed frame facings up to 40 kg



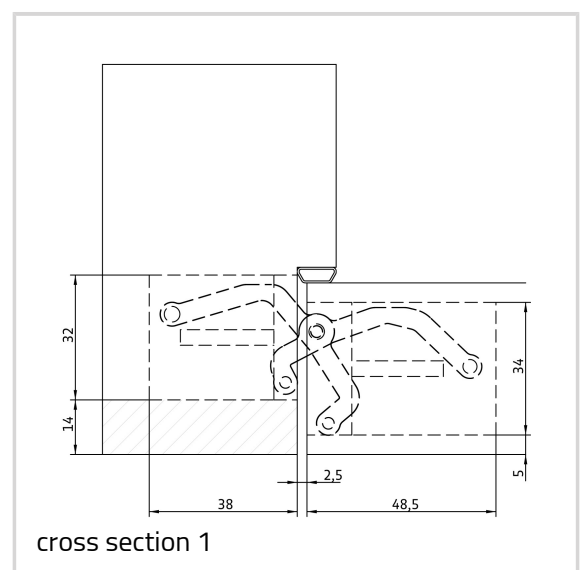
Product features

- FVZ = recessed frame facings
- recessed frame facings up to 14,0 mm
- door thickness 44 mm
- completely concealed hinge system
- for timber and aluminium frames
- for unrebated residential doors
- 3D adjustment (side +/- 1,0 mm, height +/- 1,5 mm, compression +/- 1,0 mm)
- central installation
- material zamak



Technical data

Property	Value
Load capacity	40,0 kg
Overall length	134,0 mm
Width (door part)	34,0 mm
Width (frame part)	32,0 mm
Cutter diameter	16,0 mm
Collar ring diameter	27,0 mm
Opening Angle	180°



ANSELMi - AN 141 3D FVZ 14/44

Notes

The load capacity mentioned above refers to the use of 2 hinges per door leaf (900 x 2100 mm).

Finishes shown on the model version AN 160 3D. Deviations possible with this model version.

Suggested screws:

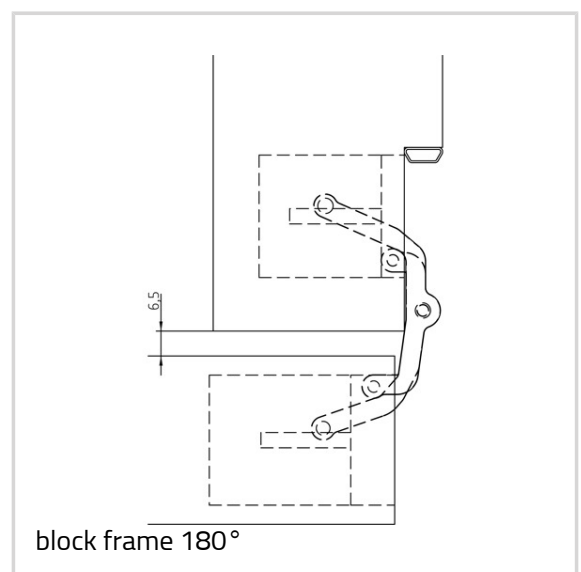
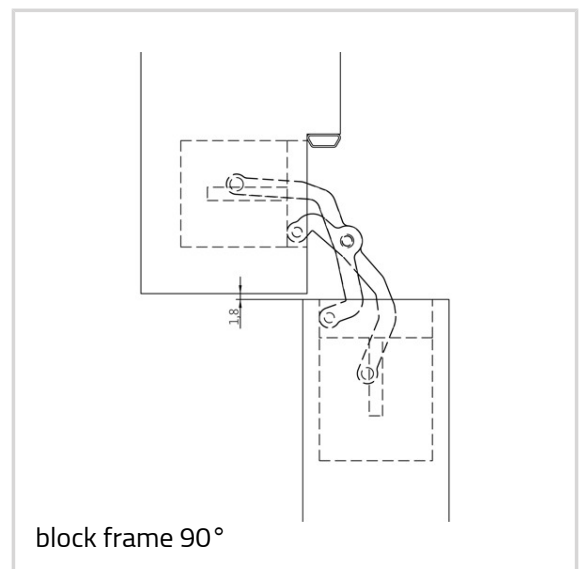
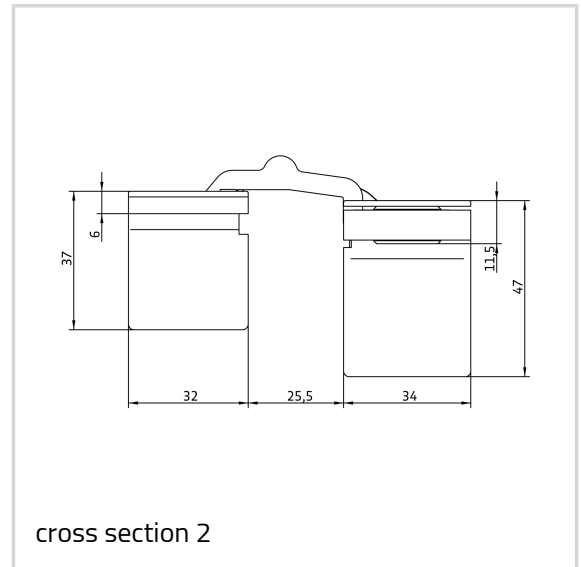
Frame side: Countersunk head screws DIN 7505 A, Diameter 5,0 mm

Door side: Countersunk head screws DIN 7505 A, Diameter 5,0 mm

Alternatively, the routing can be carried out with a cutter diameter of 14,0 mm and a collar ring diameter of 25,0 mm.

Item versions

Finish	Satin Chrome (AN 014)
OF-No.	AN 014
VPE	pack of 2
DIN	DIN right and left hand
EAN	8054608706002
Finish	Black (AN 018)
OF-No.	AN 018
VPE	pack of 2
DIN	DIN right and left hand
EAN	8054608706026
Finish	Polished Brass (AN 037)
OF-No.	AN 037
VPE	pack of 2
DIN	DIN right and left hand
EAN	8054608706057
Finish	Polished Chrome (AN 039)
OF-No.	AN 039
VPE	pack of 2
DIN	DIN right and left hand
EAN	8054608706064



ANSELMi - AN 141 3D FVZ 14/44

Finish	Satin Nickel (AN 044)
OF-No.	AN 044
VPE	pack of 2
DIN	DIN right and left hand
EAN	8054608706033

Finish	RAL 9016 Traffic White (AN 049)
OF-No.	AN 049
VPE	pack of 2
DIN	DIN right and left hand
EAN	8054608706040