

AN 150 3D

for unrebated residential doors with 21 mm reduced hinge frame part up to 40 kg



Product features

- reduced hinge frame part 21 mm
- completely concealed hinge system
- for timber and aluminium frames
- for unrebated residential doors
- 3D adjustment (side +/- 1,5 mm, height +/- 2,5 mm, compression +/- 1,0 mm)
- material zamak / acetal

Technical data

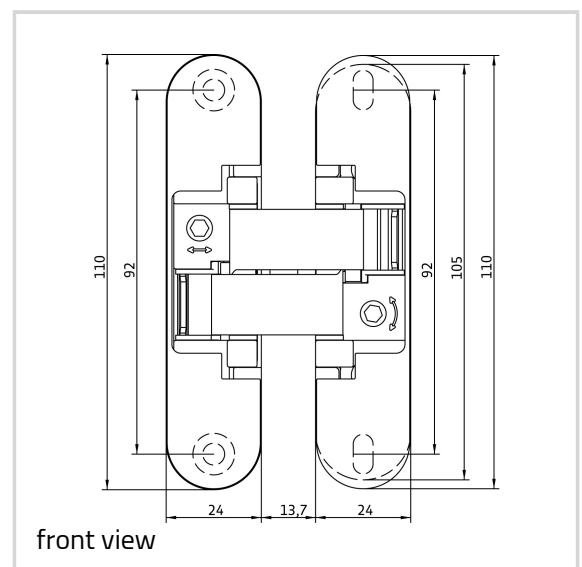
Property	Value
Load capacity	40,0 kg
Overall length	110,0 mm
Width (door part)	24,0 mm
Width (frame part)	24,0 mm
Cutter diameter	16,0 mm
Collar ring diameter	27,0 mm
Opening Angle	180°

Notes

Quality marks



Certification UL



ANSELMI - AN 150 3D

The load capacity mentioned above refers to the use of 2 hinges per door leaf (900 x 2100 mm).

Finishes shown on the model version AN 160 3D. Deviations possible with this model version.

Suggested screws:

Frame side: Countersunk head screws DIN 7505 A, Diameter 4,5 mm

Door side: Pan head screws DIN 7505 B, Diameter 4,5 mm

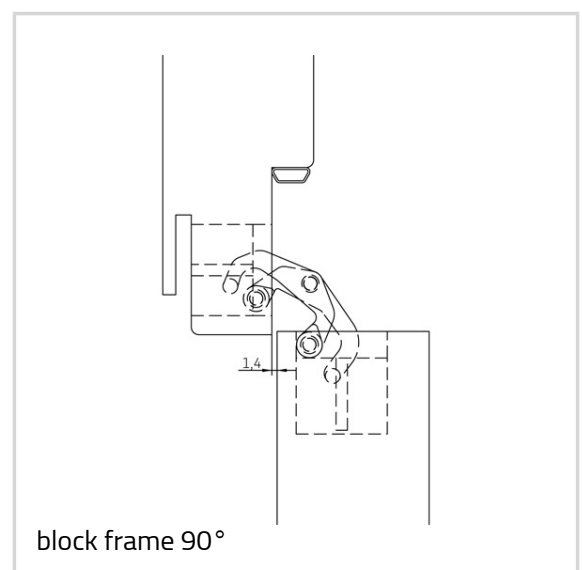
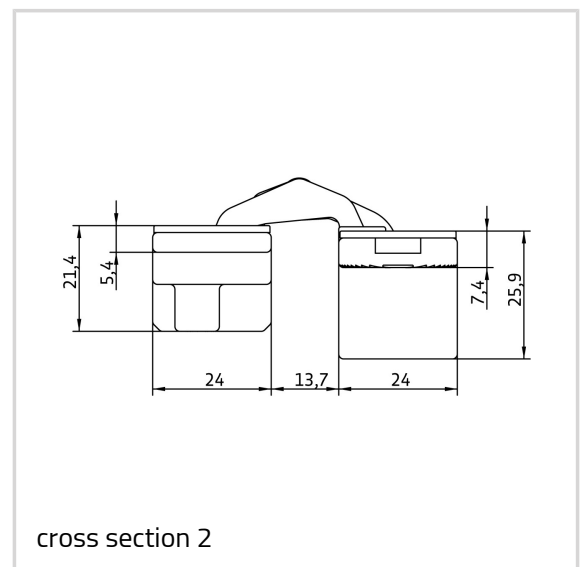
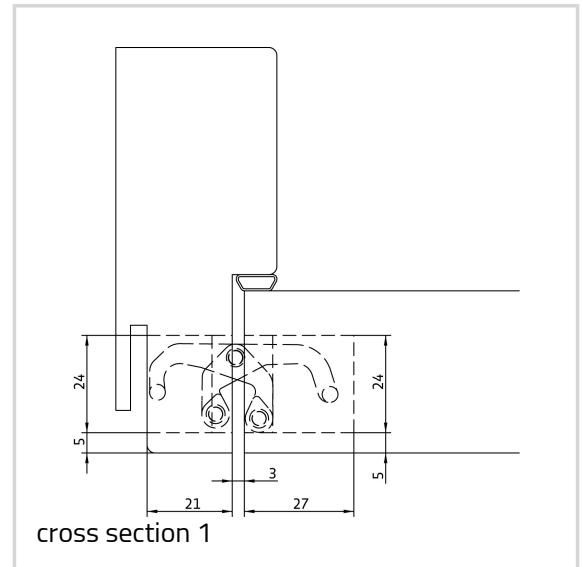
Alternatively, the routing can be carried out with a cutter diameter of 14,0 mm and a collar ring diameter of 25,0 mm.

Combinations

AN 140 3D FZ

Item versions

Finish	Satin Chrome (AN 014)
OF-No.	AN 014
VPE	pack of 2
DIN	DIN right and left hand
EAN	8054608704152
Finish	Black (AN 018)
OF-No.	AN 018
VPE	pack of 2
DIN	DIN right and left hand
EAN	8054608704176
Finish	Antique Bronze (AN 035)
OF-No.	AN 035
VPE	pack of 2
DIN	DIN right and left hand
EAN	8054608704206
Finish	Aluminium Chrome (AN 036)
OF-No.	AN 036
VPE	pack of 2
DIN	DIN right and left hand
EAN	8054608704527



ANSELMi - AN 150 3D

Finish	Polished Brass (AN 037)
OF-No.	AN 037
VPE	pack of 2
DIN	DIN right and left hand
EAN	8054608704213
Finish	Polished Chrome (AN 039)
OF-No.	AN 039
VPE	pack of 2
DIN	DIN right and left hand
EAN	8054608704220
Finish	Satin Nickel (AN 044)
OF-No.	AN 044
VPE	pack of 2
DIN	DIN right and left hand
EAN	8054608704183
Finish	RAL 9016 Traffic White (AN 049)
OF-No.	AN 049
VPE	pack of 2
DIN	DIN right and left hand
EAN	8054608704190

