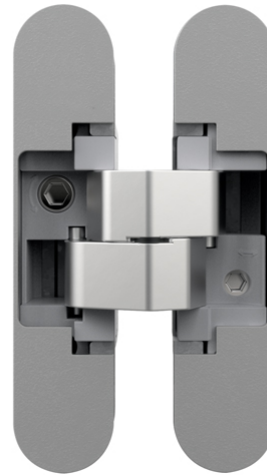


## AN 150 3D ALU

for unrebated residential doors with aluminium frames and 21 mm reduced hinge frame part up to 40 kg



### Product features

- reduced hinge frame part 21 mm
- completely concealed hinge system
- for timber and aluminium frames
- for unrebated residential doors with aluminium frames
- 3D adjustment (side +/- 1,5 mm, height +/- 1,5 mm, compression +/- 1,0 mm)
- material zamak / acetal

### Technical data

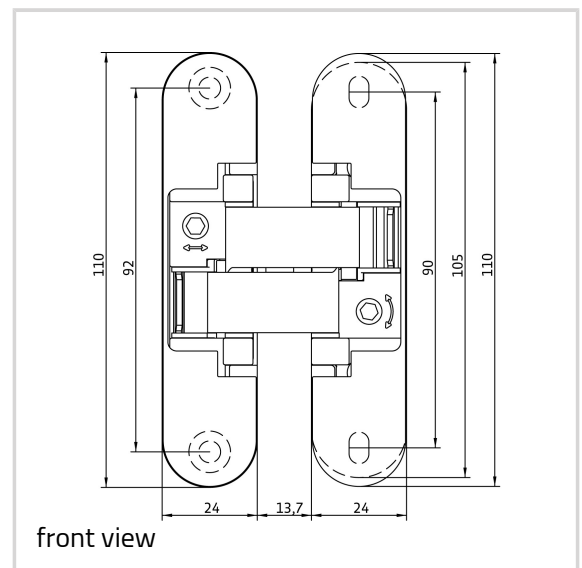
Property	Value
Load capacity	40,0 kg
Overall length	110,0 mm
Width (door part)	24,0 mm
Width (frame part)	24,0 mm
Cutter diameter	16,0 mm
Collar ring diameter	27,0 mm
Opening Angle	180°

### Notes

### Quality marks



Certification UL



## ANSELMi - AN 150 3D ALU

The load capacity mentioned above refers to the use of 2 hinges per door leaf (900 x 2100 mm).

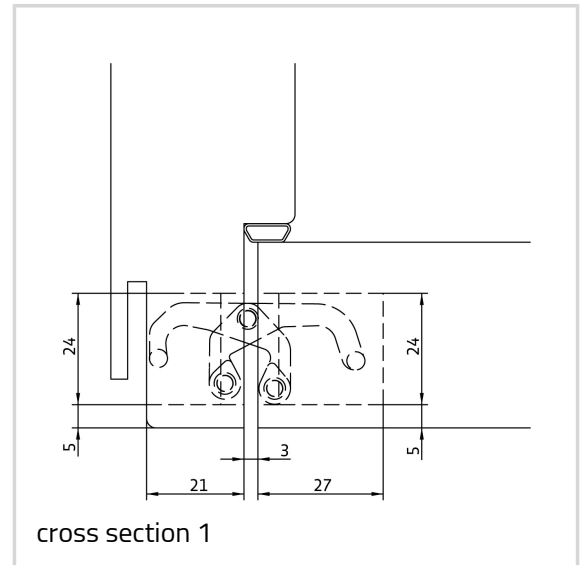
Finishes shown on the model version AN 160 3D. Deviations possible with this model version.

Suggested screws:

Frame side: Countersunk head screws DIN 7505 A, Diameter 4,5 mm

Door side: Countersunk head screws DIN 7505 A, Diameter 4,5 mm

Alternatively, the routing can be carried out with a cutter diameter of 14,0 mm and a collar ring diameter of 25,0 mm.

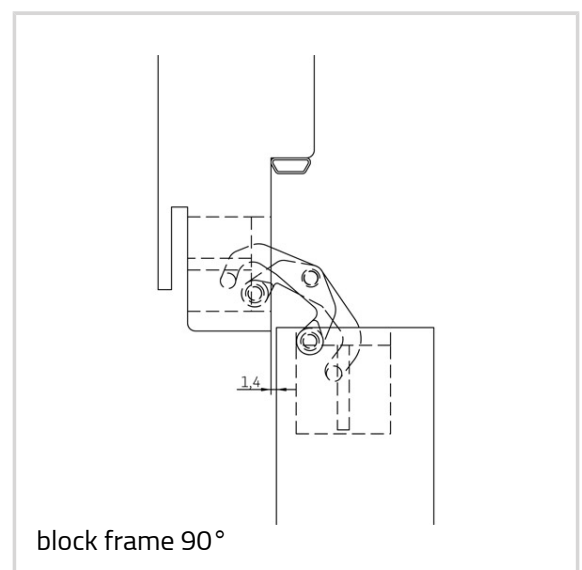
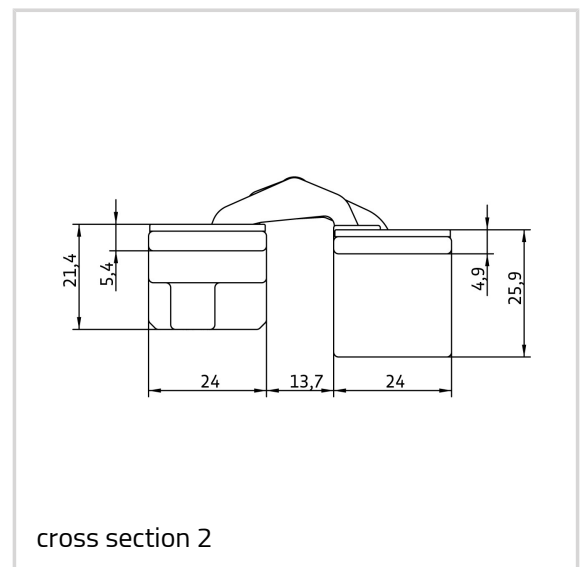


## Combinations

AN 140 3D FZ

## Item versions

Finish	Satin Chrome (AN 014)
OF-No.	AN 014
VPE	pack of 2
DIN	DIN right and left hand
EAN	8054608700413
Finish	Black (AN 018)
OF-No.	AN 018
VPE	pack of 2
DIN	DIN right and left hand
EAN	8054608700437
Finish	Antique Bronze (AN 035)
OF-No.	AN 035
VPE	pack of 2
DIN	DIN right and left hand
EAN	8054608700451
Finish	Aluminium Chrome (AN 036)
OF-No.	AN 036
VPE	pack of 2
DIN	DIN right and left hand
EAN	8054608700468



**ANSELMI - AN 150 3D ALU**

Finish	Polished Brass (AN 037)
OF-No.	AN 037
VPE	pack of 2
DIN	DIN right and left hand
EAN	8054608700475
Finish	Polished Chrome (AN 039)
OF-No.	AN 039
VPE	pack of 2
DIN	DIN right and left hand
EAN	8054608700482
Finish	Satin Nickel (AN 044)
OF-No.	AN 044
VPE	pack of 2
DIN	DIN right and left hand
EAN	8054608700444
Finish	RAL 9016 Traffic White (AN 049)
OF-No.	AN 049
VPE	pack of 2
DIN	DIN right and left hand
EAN	8054608700512

