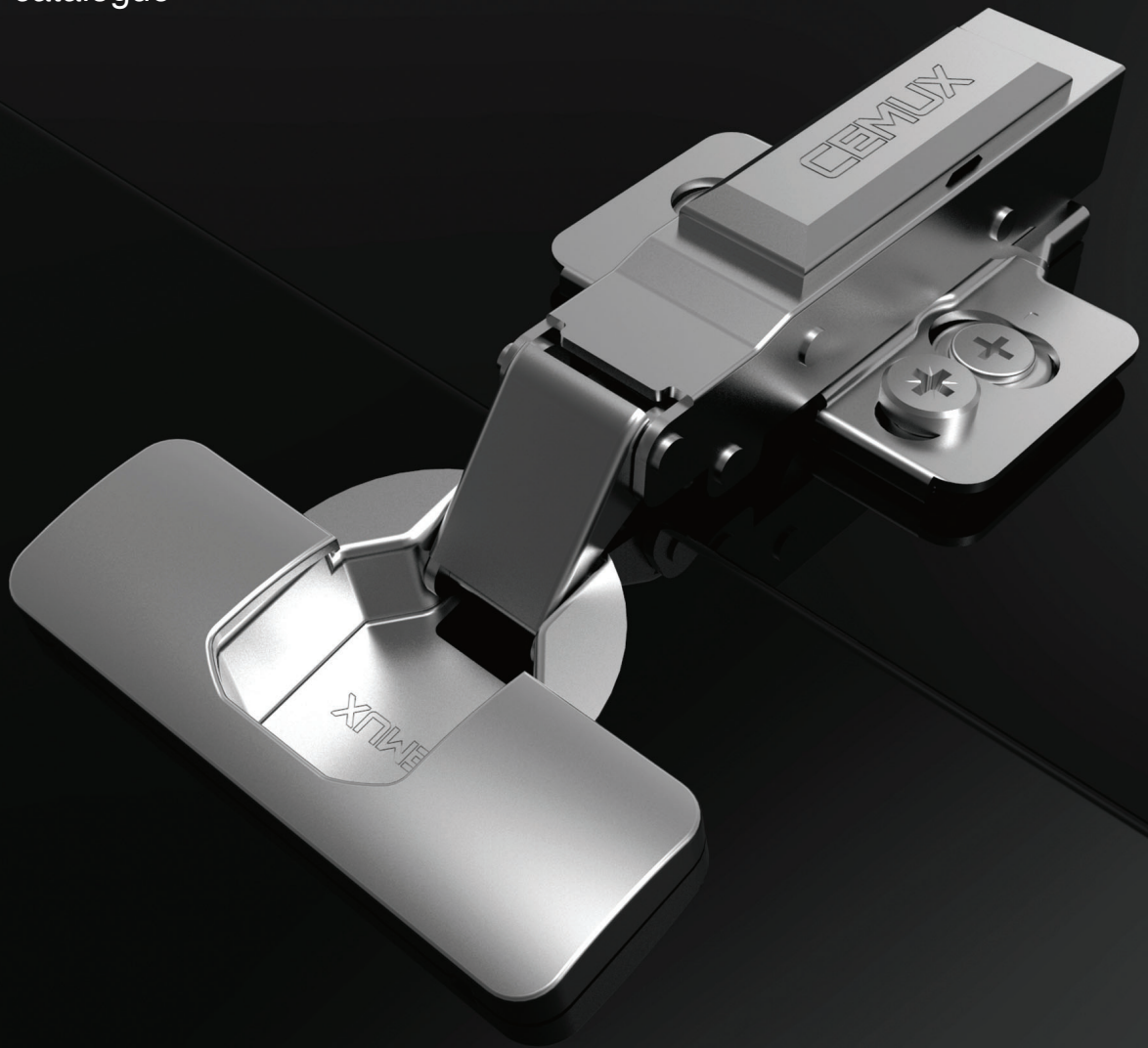
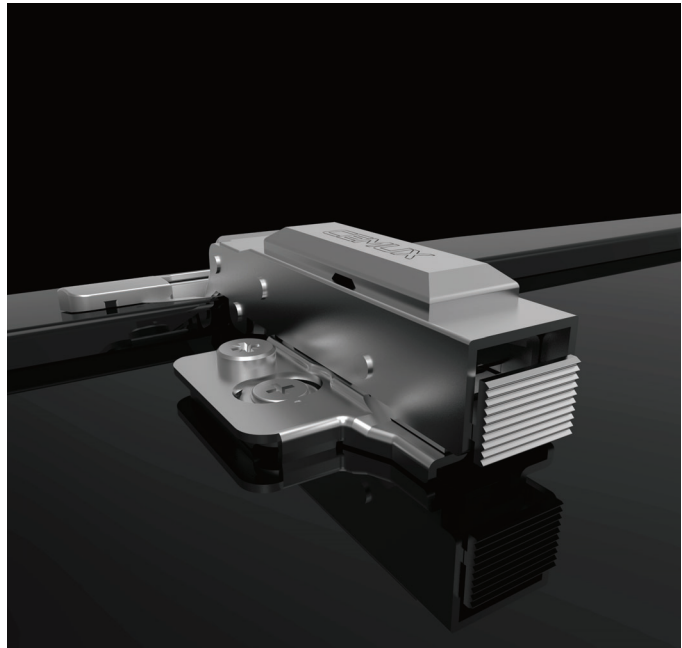


CONCEALED HINGE SYSTEM FROM CEMUX - V HINGE

V hinge catalogue



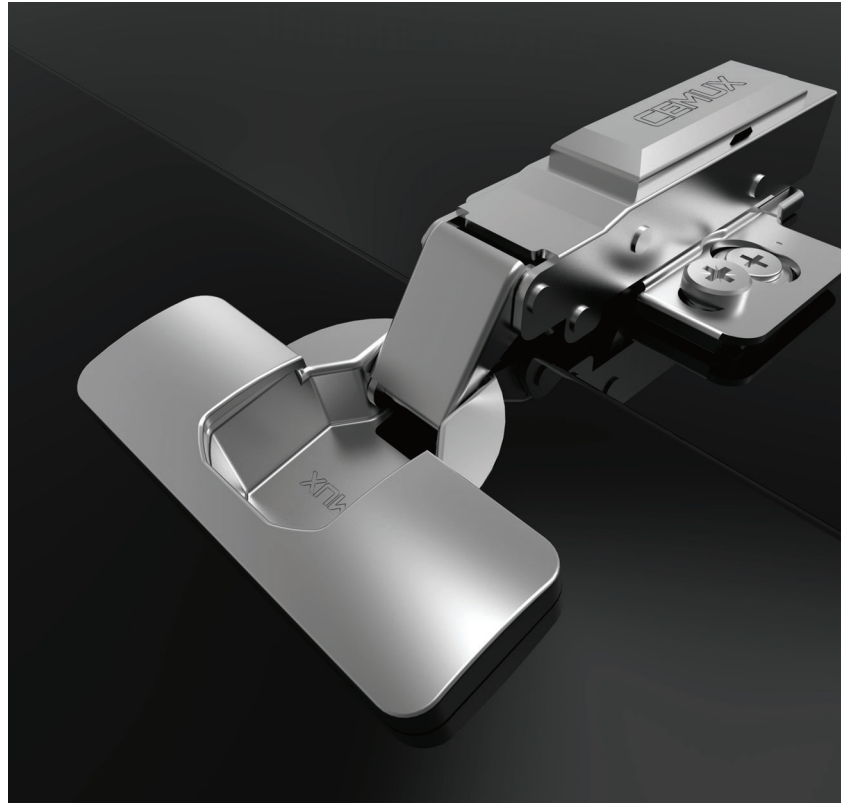
“Easy and various way to make perfect movement ”



The combination between technology and design is V hinge system from CEMUX. All hinge can be soft-close and self-close with perfect movement.

CEMUX V hinge system provide wide range of degree for different application, 105°; 165°; 30°; 45°; 90°.

Besides, various assembly are also can be meet different requirements, such as screw-on; euro screw; dowel and press-in.

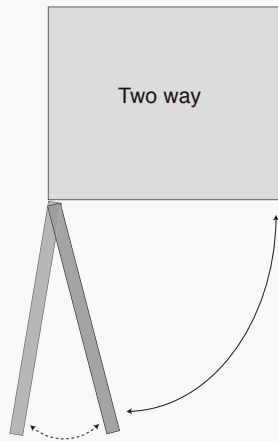


“Versatility; Fast mounting Efficiency”

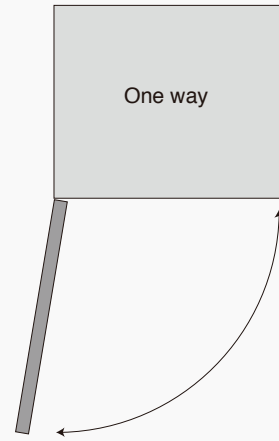
All V hinge system can use the same mounting plates, which means it is easy for customers to choose regard as their needs.

Easy mounting by clip-on is to enhance the efficiency. Anyone can use it in an easy way.

Opening



Within a certain range, the door panel can be moved at any position



Door panel only can be full open position

Cam

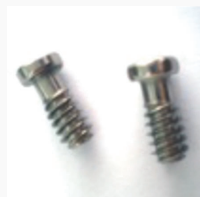


Semi-automatic screw can make 5mm depth adjustment without removing panel by hand

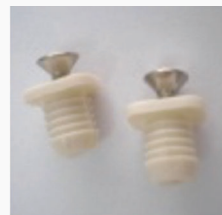
Hinge cup assembly



Wooden screw: 4x16mm



Pre-mounted screw: 6.3x14mm

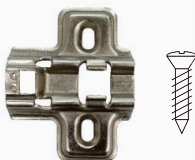


Pre-mounted $\phi 8/10$ mm press in dowel with tool



Pre-mounted $\phi 8/10$ mm expando dowel

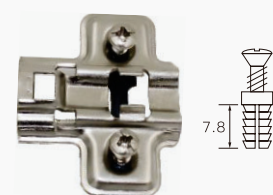
Hinge plate assembly



Wooden screw: 4x16mm

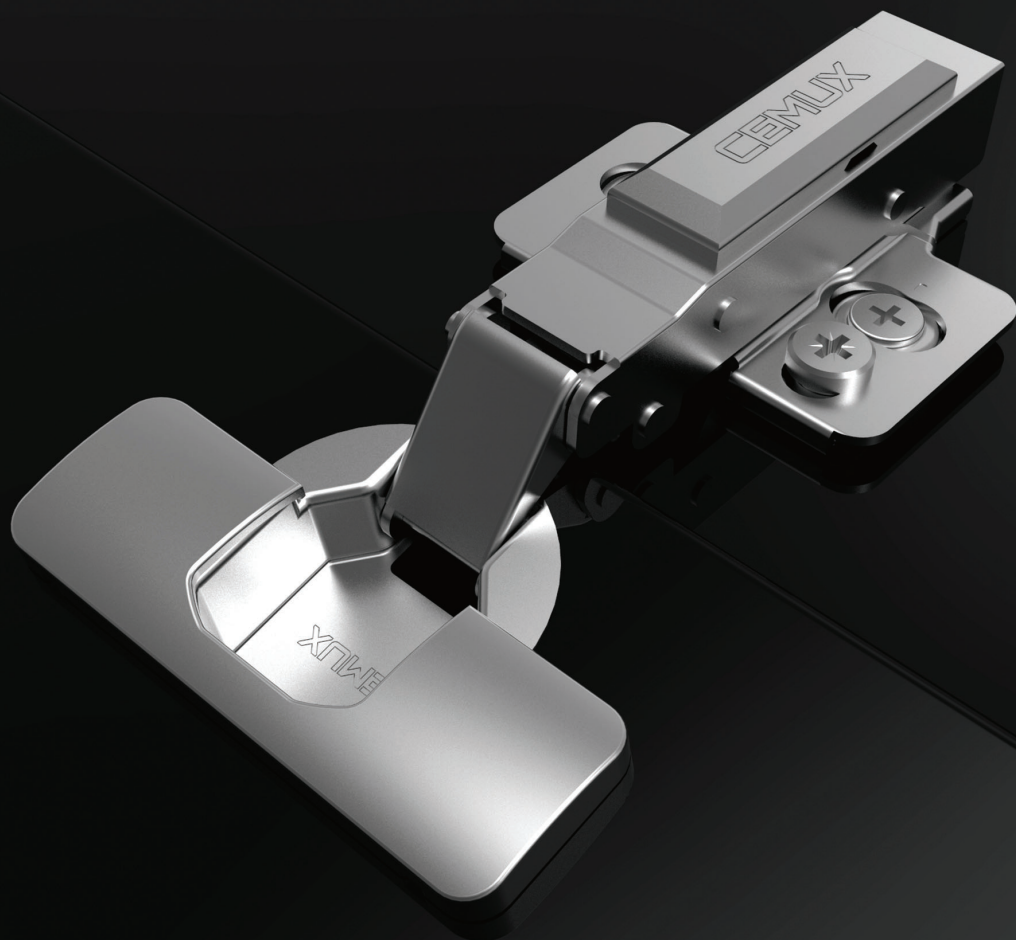


Pre-mounted screw: 6.3x14mm



Pre-mounted $\phi 5$ mm expando dowel

Clip-on soft close

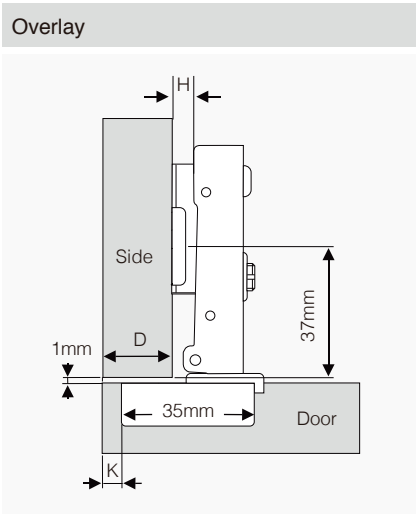
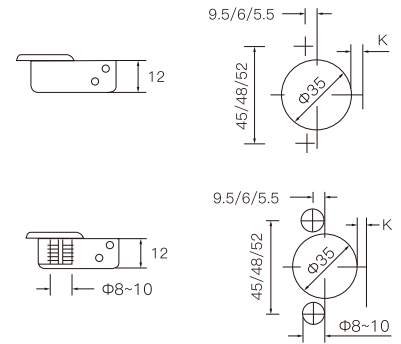


V Hinge system

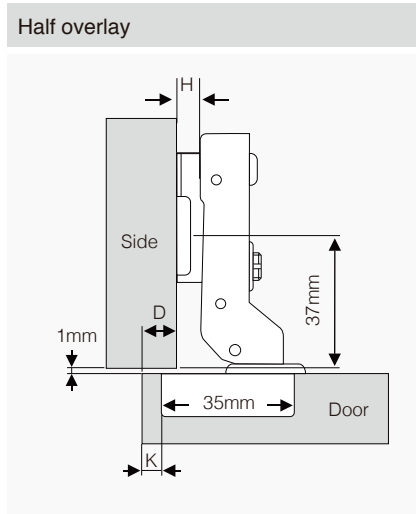
H88-105°; Clip-on; Two way; Cam adjustment; Soft-close



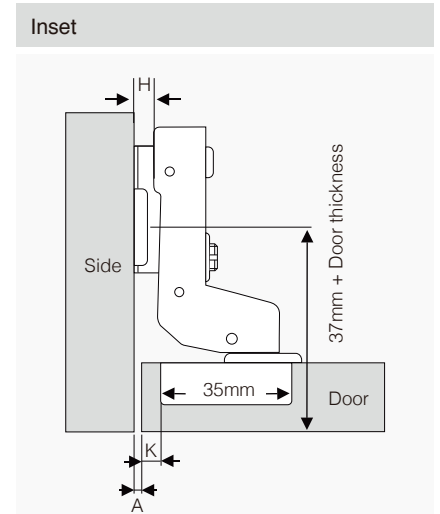
- Installation: Clip-on
- Opening degree: 105°
- Cup diameter: 35mm
- Cup depth: 12mm
- Cup distance: 45/48/52mm
- Door thickness: 14-22mm



		K-Cup distance				
		3	4	5	6	7
D-Door overlay	22.0					0
	21.0				0	
	20.0			0		2
	19.0		0		2	
	18.0	0		2		4
	17.0		2		4	
	16.0	2		4		
	15.0		4			
	14.0	4				
		H-Mounting plate height				



		K-Cup distance				
		3	4	5	6	7
D-Door overlay	12.0					0
	11.0				0	
	10.0			0		2
	9.0		0		2	
	8.0	0		2		4
	7.0		2		4	
	6.0	2		4		
	5.0		4			
	4.0	4				
		H-Mounting plate height				



		K-Cup distance				
		3	4	5	6	7
A-Door reveal	4.0	4				
	3.0		4			
	2.0	2		4		
	1.0		2		4	
	0.0	0		2		4
	-1.0		0		2	
	-2.0			0		
	-3.0				0	2
	-4.0					0
		H-Mounting plate height				

Cup assembly	Item No.
Screw on	H88A101S
Euro screw	H88A102S
φ8 press-in	H88A103S
φ10 press-in	H88A104S
φ8 expando	H88A105S
φ10 expando	H88A106S

Cup assembly	Item No.
Screw on	H88B101S
Euro screw	H88B102S
φ8 press-in	H88B103S
φ10 press-in	H88B104S
φ8 expando	H88B105S
φ10 expando	H88B106S

Cup assembly	Item No.
Screw on	H88C101S
Euro screw	H88C102S
φ8 press-in	H88C103S
φ10 press-in	H88C104S
φ8 expando	H88C105S
φ10 expando	H88C106S

* Standard cup distance is 45mm; if 48mm, please change code Hxxx1xxx to Hxxx2xxx; 52mm change to Hxxx3xxS

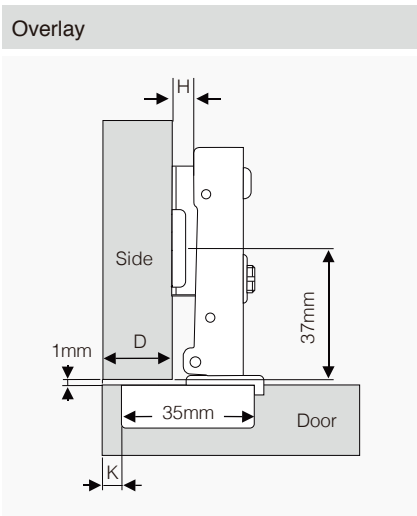
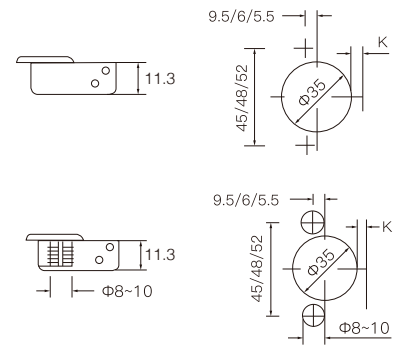
* Non soft-close change code HxxxxxxS to HxxxxxxN

V Hinge system

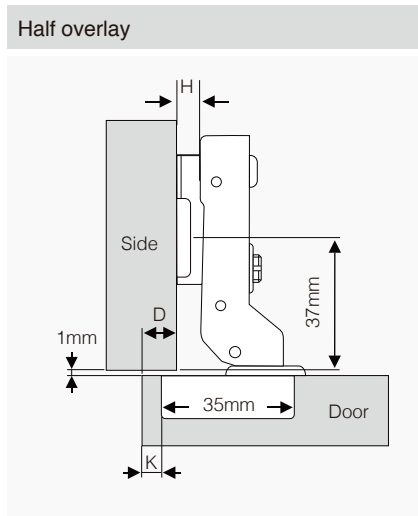
H89-105°; Clip-on; One way; Cam adjustment; Soft-close



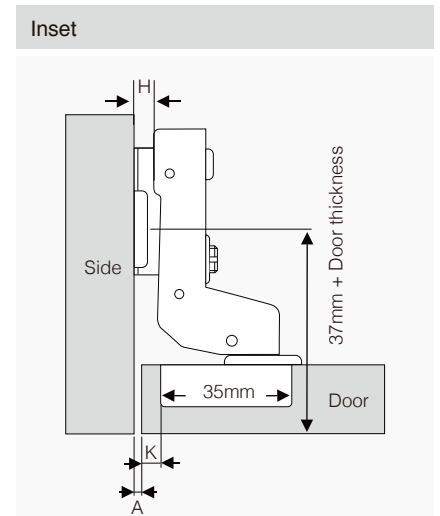
- Installation: Clip-on
- Opening degree: 105°
- Cup diameter: 35mm
- Cup depth: 11.3mm
- Cup distance: 45/48/52mm
- Door thickness: 14-22mm



		K-Cup distance				
		3	4	5	6	7
D-Door overlay	22.0					0
	21.0				0	
	20.0			0		2
	19.0		0		2	
	18.0	0		2		4
	17.0		2		4	
	16.0	2		4		
	15.0		4			
	14.0	4				
		H-Mounting plate height				



		K-Cup distance				
		3	4	5	6	7
D-Door overlay	12.0					0
	11.0				0	
	10.0			0		2
	9.0		0		2	
	8.0	0		2		4
	7.0		2		4	
	6.0	2		4		
	5.0		4			
	4.0	4				
		H-Mounting plate height				



		K-Cup distance				
		3	4	5	6	7
A-Door reveal	4.0	4				
	3.0		4			
	2.0	2		4		
	1.0		2		4	
	0.0	0		2		4
	-1.0		0		2	
	-2.0			0		
	-3.0				0	2
	-4.0					0
		H-Mounting plate height				

Cup assembly	Item No.
Screw on	H89A101S
Euro screw	H89A102S
φ8 press-in	H89A103S
φ10 press-in	H89A104S
φ8 expando	H89A105S
φ10 expando	H89A106S

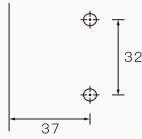
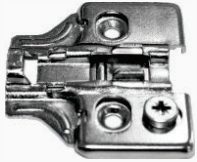
Cup assembly	Item No.
Screw on	H89B101S
Euro screw	H89B102S
φ8 press-in	H89B103S
φ10 press-in	H89B104S
φ8 expando	H89B105S
φ10 expando	H89B106S

Cup assembly	Item No.
Screw on	H89C101S
Euro screw	H89C102S
φ8 press-in	H89C103S
φ10 press-in	H89C104S
φ8 expando	H89C105S
φ10 expando	H89C106S

* Standard cup distance is 45mm; if 48mm, please change code Hxxx1xxx to Hxxx2xxx; 52mm change to Hxxx3xxS
 * Non soft-close change code HxxxxxxS to HxxxxxxN

V Hinge system
Hinge plate for Clip-on

Adjustable plate - P12



Assembly	H=0
Screw on	Item No. P12001

Hinge arm cover



Hinge arm cover	Item No.
With Cemux logo	HAC01
Without Cemux logo	HAC02

Hinge cup cover



Hinge cup cover	Item No.
	HCC01

For more information, please visit CEMUX.CO.UK
or contact us email CEMUX@CEMUX.CO.UK

CEMUX
LIVE YOUR LIFE

CEMUX TECHNOLOGY UK LTD

Churchill House 142-146 Old Street,
London,
UK
EC1V 9BW
Tel : 0044 207 1831008

CEMUX TECHNOLOGY IRELAND WAREHOUSE

Kilkeary,
Nenagh,
Co. Tipperary
Ireland
Tel: 00353 67 31471