

IN-LINE SLIDING DOOR SYSTEM

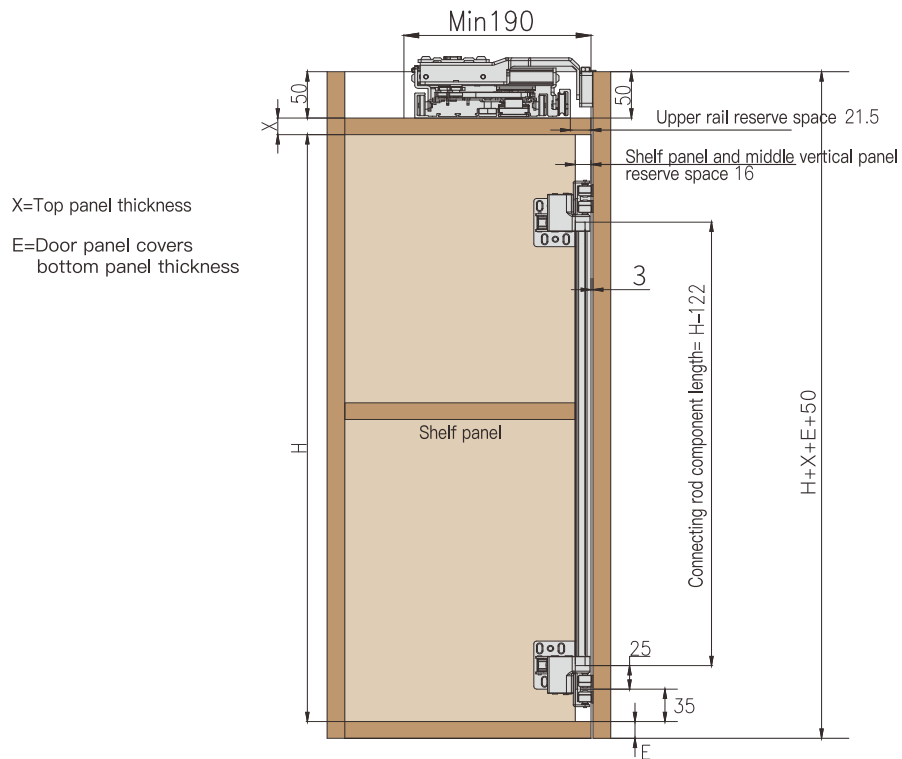
Cuttable & Double Soft Closing
In-line Sliding Door System



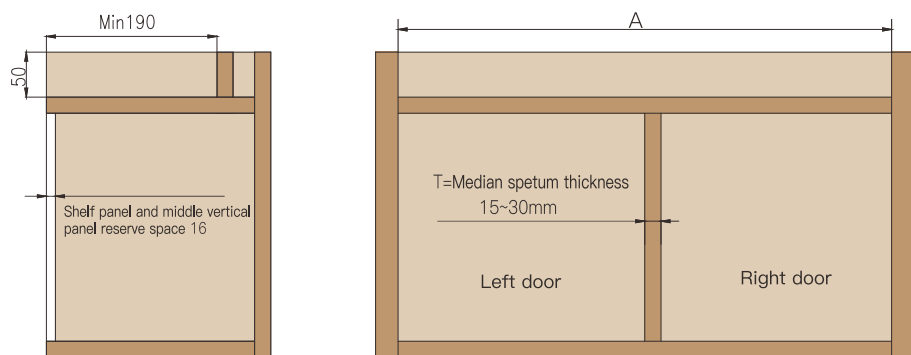
| Accessories | Qty | 3D sketch |
|-----------------------------|-----|-----------|
| Upper rail | 1 | |
| Connecting rod component | 2 | |
| Door panel side guide rail | 4 | |
| Right door middle regulator | 1 | |
| Right door side regulator | 1 | |
| Left door middle regulator | 1 | |
| Left door side regulator | 1 | |

Product code and specification

| Item code | Cabinet inner width | Cuttable rail range | Door width (door panel covers side panel 25mm) | Door height |
|-----------|---------------------|---------------------|---|-------------|
| SWL002-1 | 1750mm | 1150mm~1750mm | 600mm~900mm | ≤1000mm |
| SWL002-2 | 2350mm | 1750mm~2350mm | 900mm~1200mm | ≤1500mm |

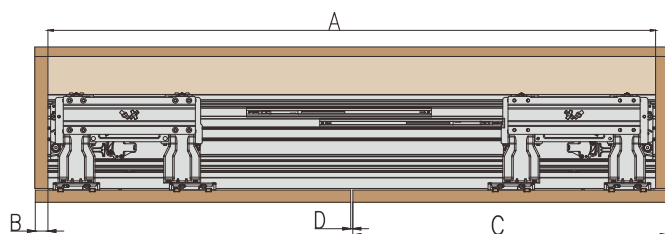


1. Cabinet requirements



Door size

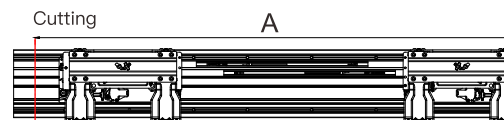
- A=Cabinet inner width
- D=Door gap(3~5mm)
- B=door panel covers side panel width(-3~25mm)
- C=Door width=(A+2B-D)/2



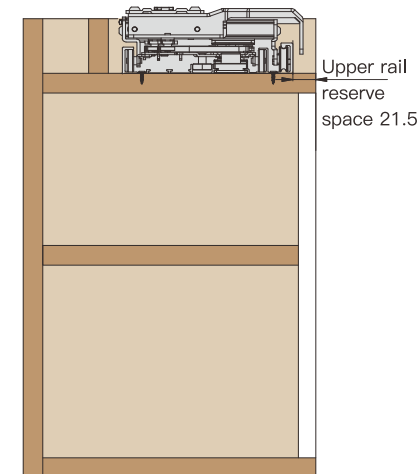
2. Rail cutting



Loose the alley key to move to right side

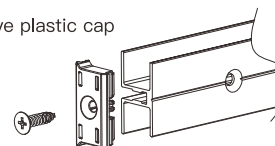


2.2 Upper rail installation

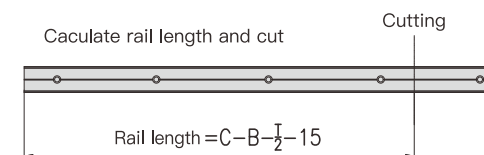


3. Accessories installation

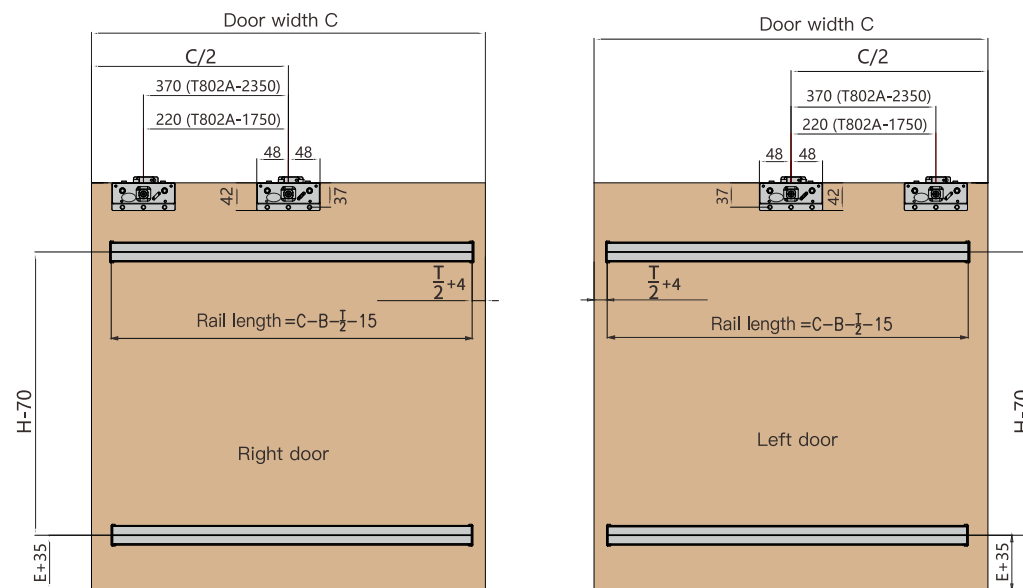
Remove plastic cap



Calculate rail length and cut



3.3 Hanging plate and side guide rail rail installation

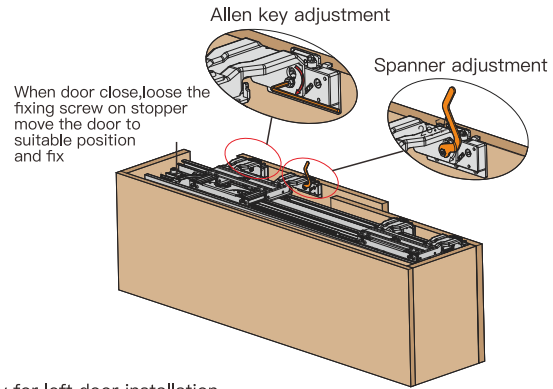
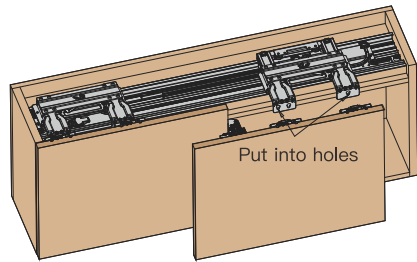


Hanging cabinet installation

4. Door Installation

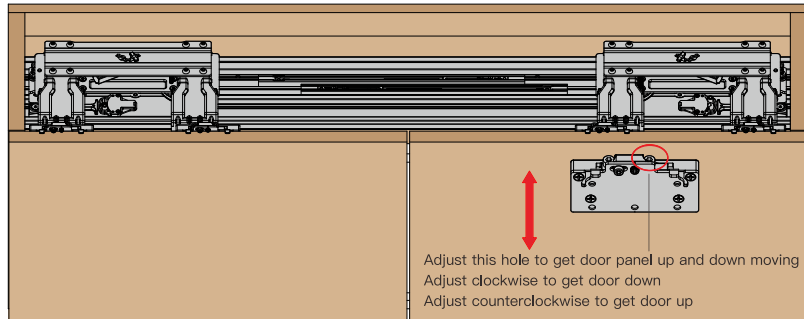
Open right runner accessories, hanging door into round holes

Use allen key or spanner to fix the screw but not fully tighten, should be movable

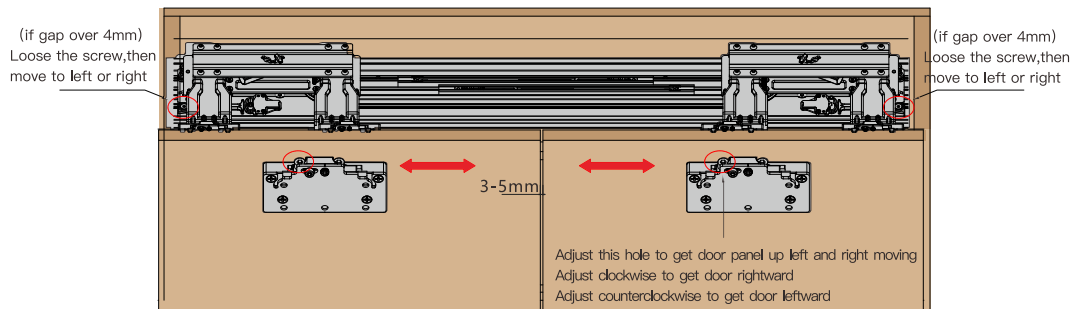


Same way for left door installation

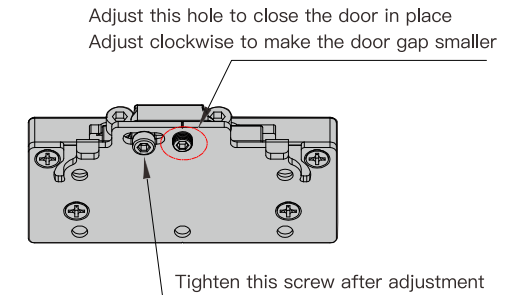
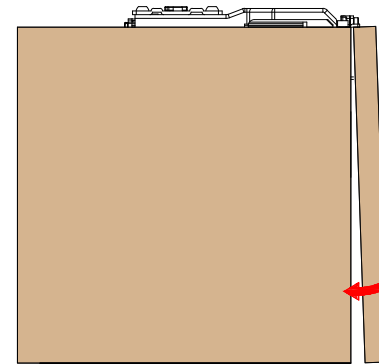
6. Door height adjustment



6. Adjust the gap between two doors



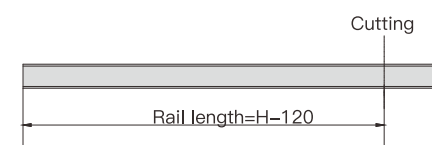
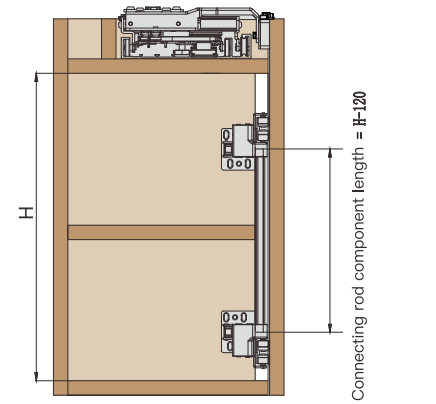
7. Adjust door closing angle



fix the adjustment screw in step 4 after adjustment

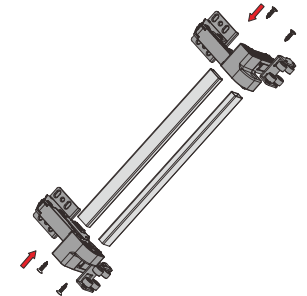
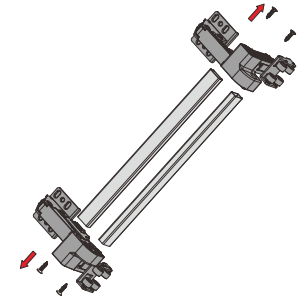
8. Connecting rod component installation

8.1 Calculate connecting rod component length



Cut connecting rod rail

8.2 Separate connecting rod component

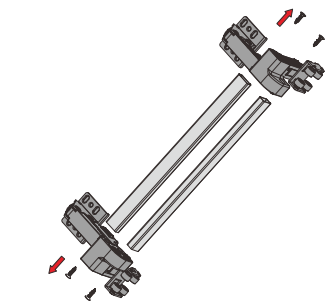
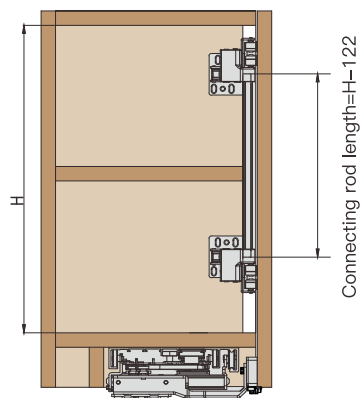


Re-assemble

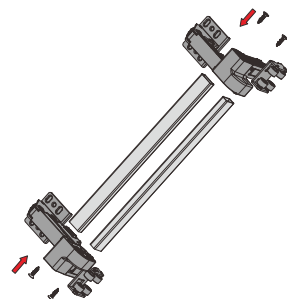
Hanging cabinet installation

9. Connecting rod component installation

8.1 Calculate connecting rod length

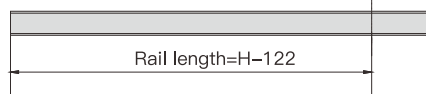


Separate connecting rod component



Re-assemble

Cutting

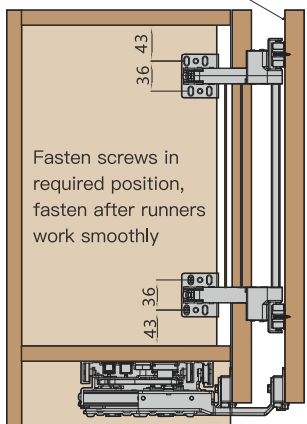


Cut connecting rod rail

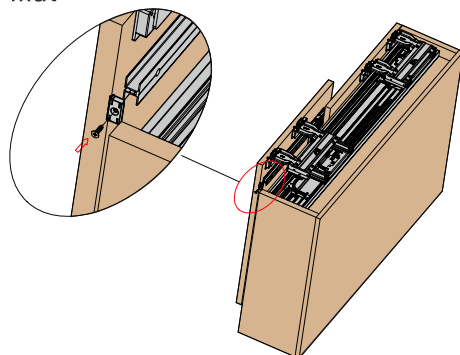
9.3 Open the door, put runners into door panel side guide rail, fasten connecting rod

9.4 Fix plastic cap

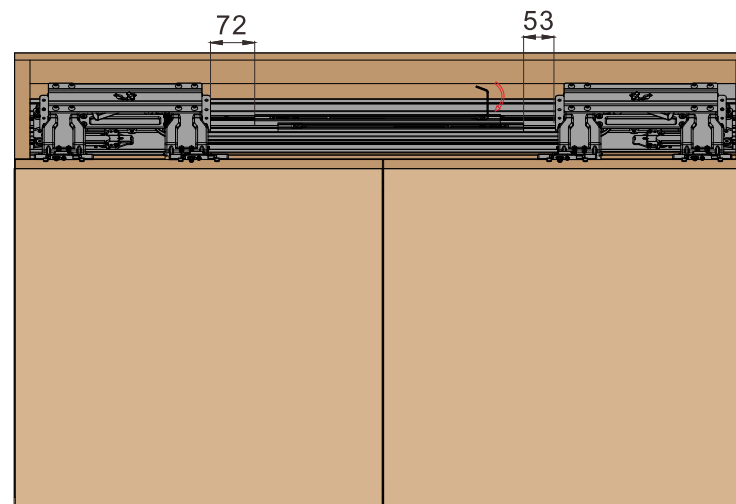
Stick rubber mat on door to prevent door hitting the floor

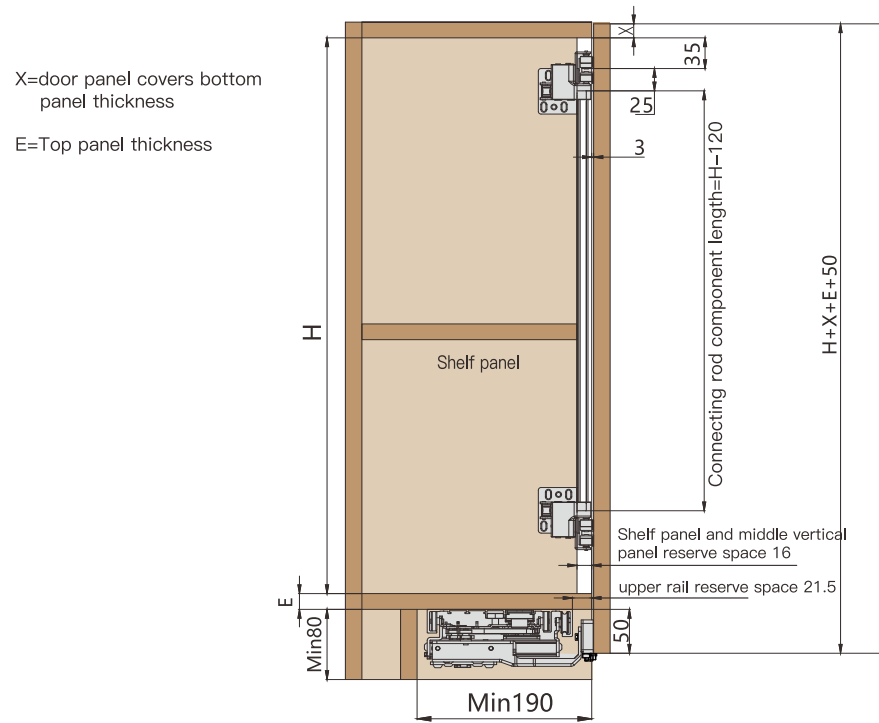


Rubber mat

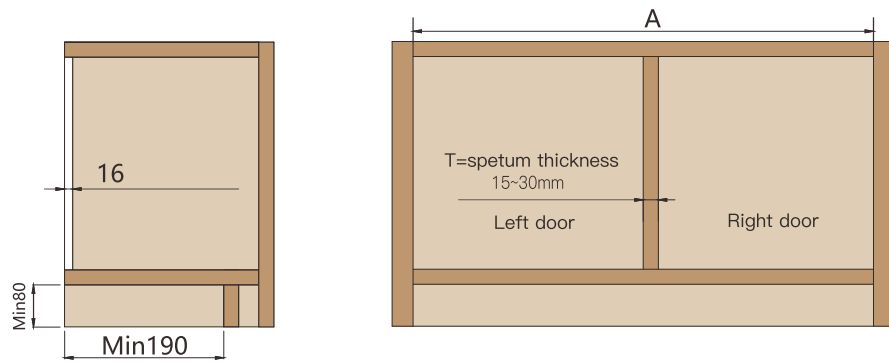


10. Fasten buffer



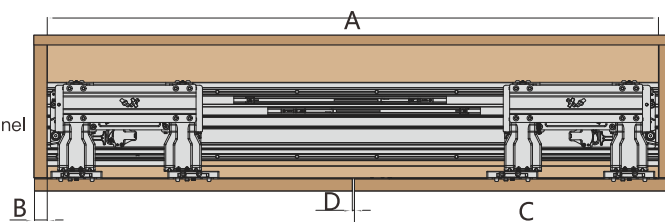


1. Cabinet requirements



Door size

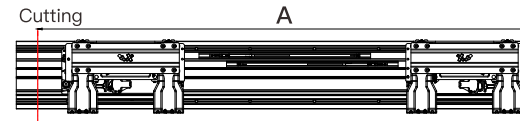
A=Cabinet inner width
D=Door gap(3-5mm)
B=door panel covers side panel width(-3~25mm)
C=Door width=(A+2B-D)/2



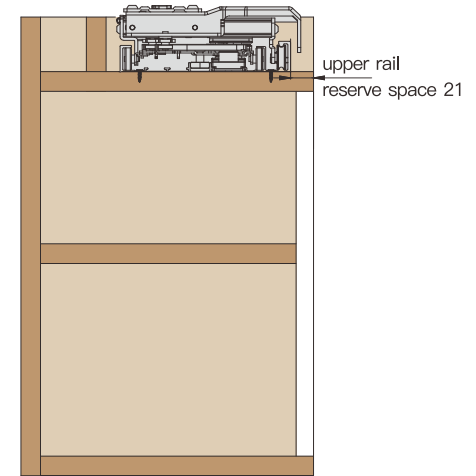
2.1 Rail cutting



Loose the alley key to move to right side

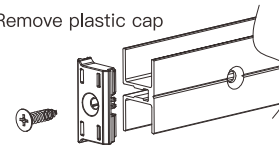


2.2 Upper rail installation

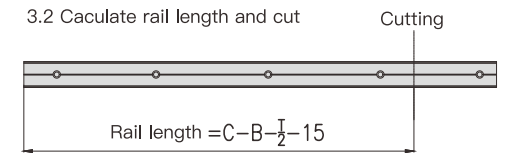


3. Accessories installation

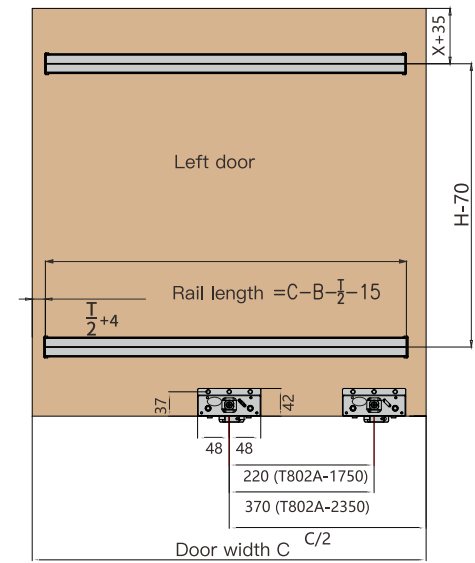
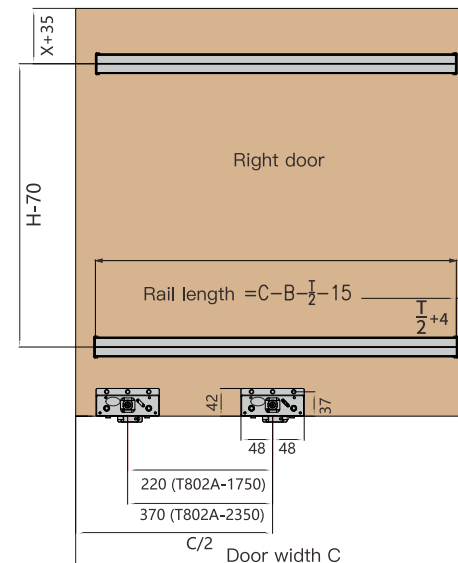
3.1 Remove plastic cap



3.2 Caculate rail length and cut



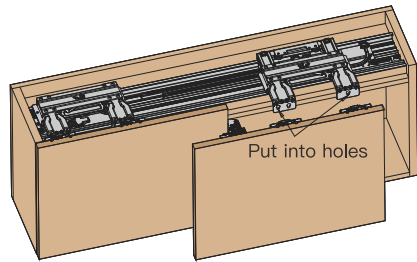
3.3 Hanging plate and rail installation



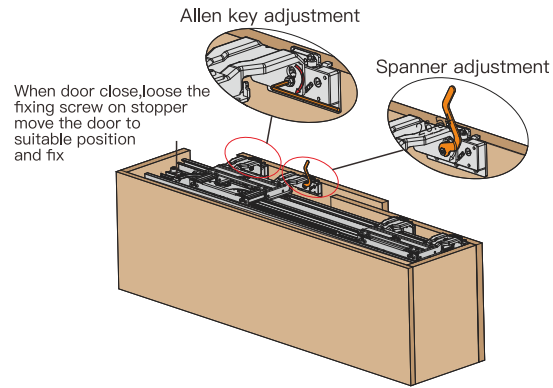
Floor cabinet installation

4. Door Installation

4.1 Open right runner accessories, hanging door into round holes

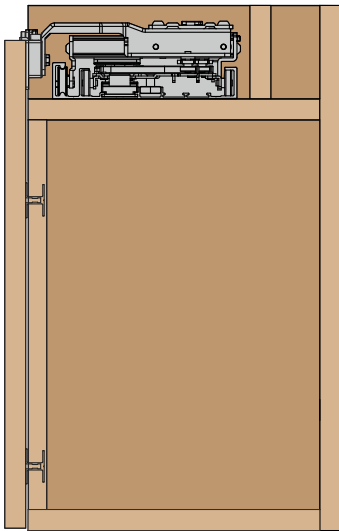


4.2 Use allen key or spanner to fix the screw but not fully tighten, should be movable

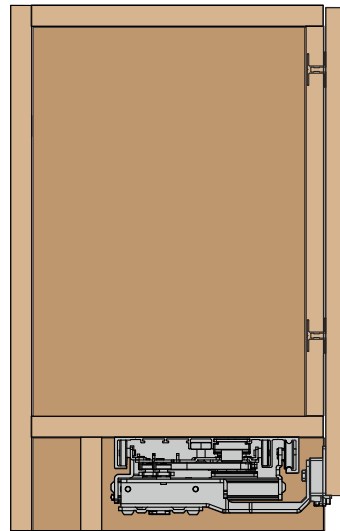


Same way for left door

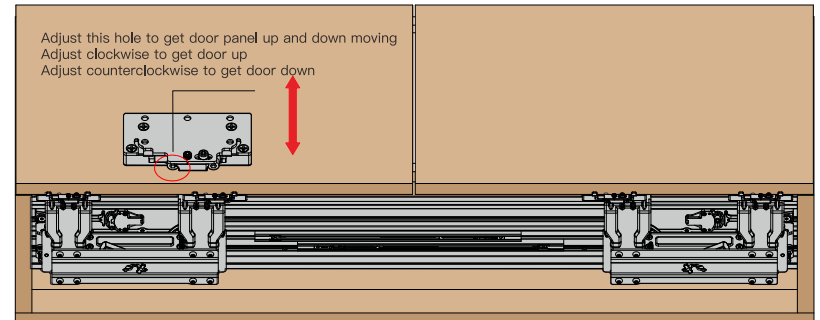
5. Overturn the cabinet after finish door installation



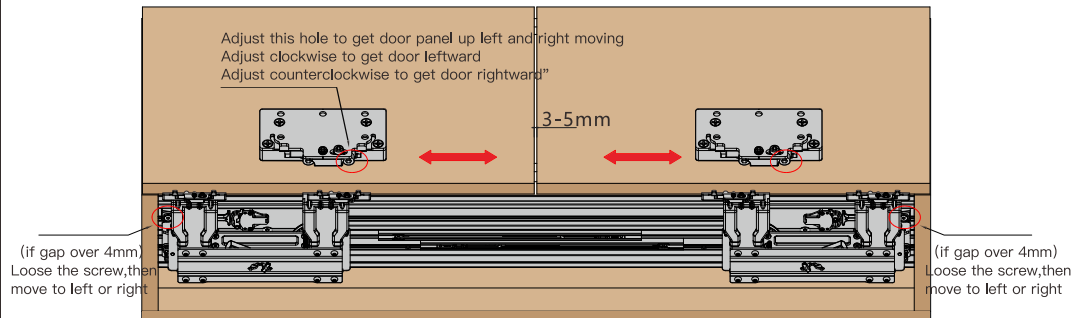
Turn over



6. Adjustment

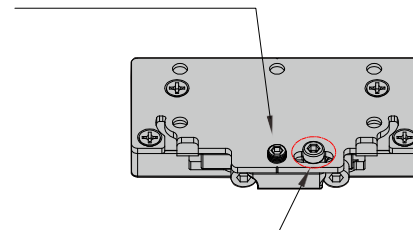


7. Adjust the gap between two doors

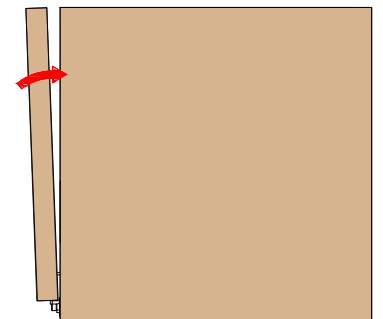


8. Adjust door closing angle

Adjust this hole to close the door in place
Adjust clockwise to make the door gap smaller



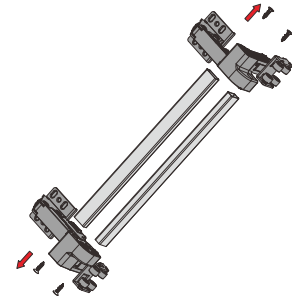
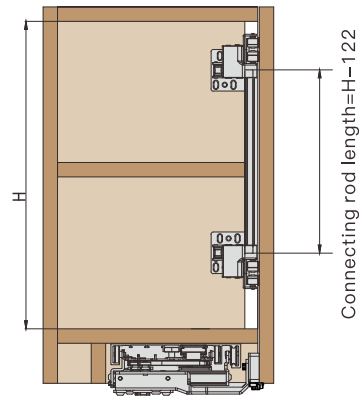
Tighten this screw after adjustment



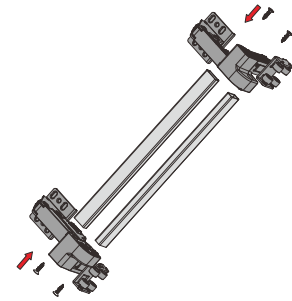
fix the adjustment screw in step 4 after adjustment

9. Connecting rod component installation

9.1 Calculate connecting rod length

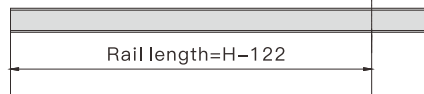


Separate connecting rod component



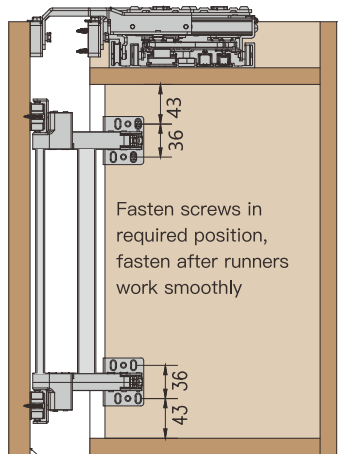
Re-assemble

Cutting

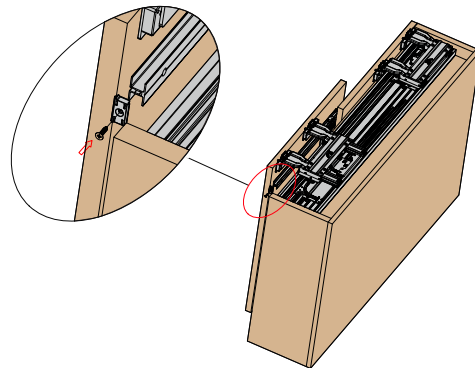


Cut connecting rod rail

9.3 Open the door, put runners into door panel side guide rail, fix connecting rod



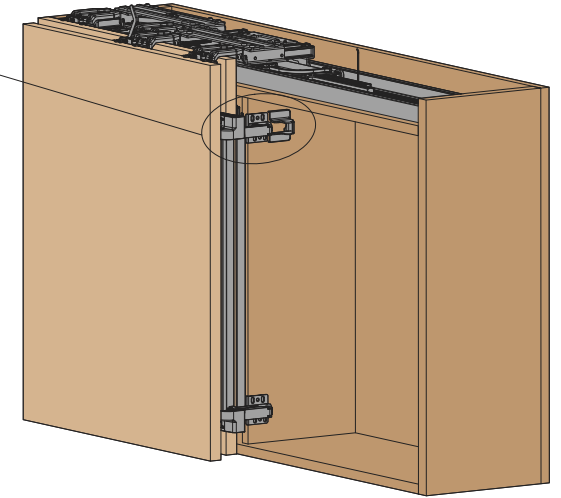
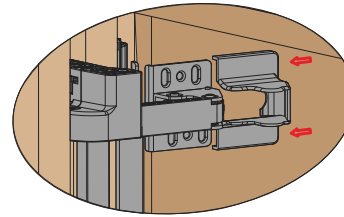
9.4 Fix plastic cap



Stick rubber mat on door to prevent door hitting the floor

Rubber mat

9.5 Install the connecting rod trim cover



10. Fasten buffer

