

# TELESCOPIC EXTENSION / 540

## Dining Table

### ASSEMBLY INSTRUCTIONS

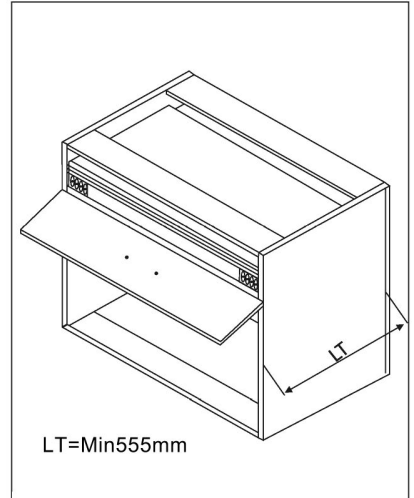
Ref.: **F19220**



Min. 555

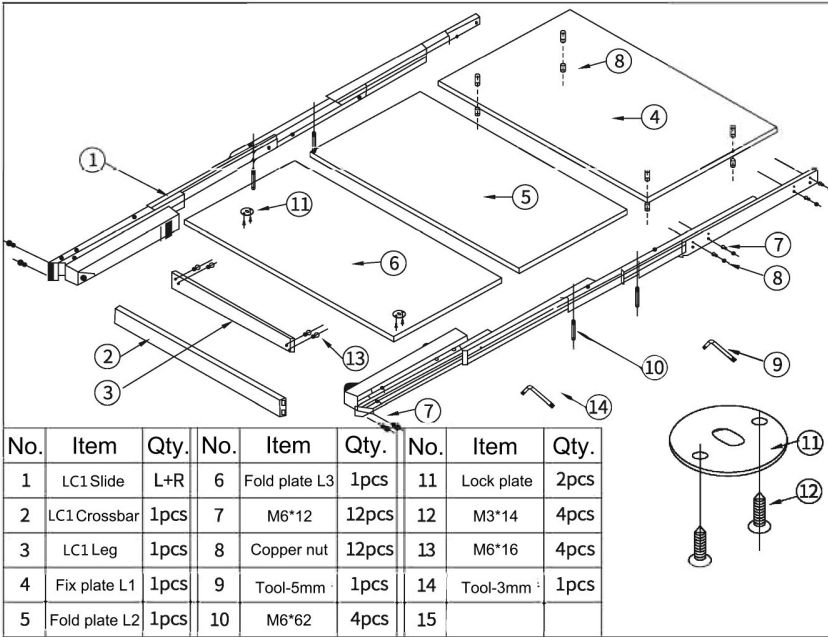
#### Description

1. Extended to be a 1.5m long dining table, which is enough for a family or 4~5 persons to use.
2. Made of high grade aluminum alloy
3. Wide usage: can be used on desk, cabinet or dining table
4. Extended smoothly and quietly
5. Easy installation
6. Load capacity: 70 KG

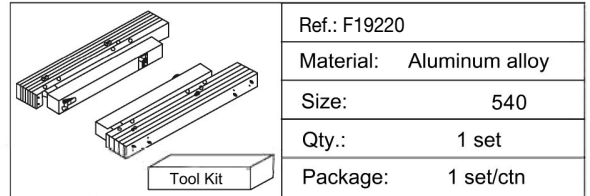


LT=Min555mm

#### Detail



No.	Item	Qty.	No.	Item	Qty.	No.	Item	Qty.
1	LC1 Slide	L+R	6	Fold plate L3	1pcs	11	Lock plate	2pcs
2	LC1 Crossbar	1pcs	7	M6*12	12pcs	12	M3*14	4pcs
3	LC1 Leg	1pcs	8	Copper nut	12pcs	13	M6*16	4pcs
4	Fix plate L1	1pcs	9	Tool-5mm	1pcs	14	Tool-3mm	1pcs
5	Fold plate L2	1pcs	10	M6*62	4pcs	15		



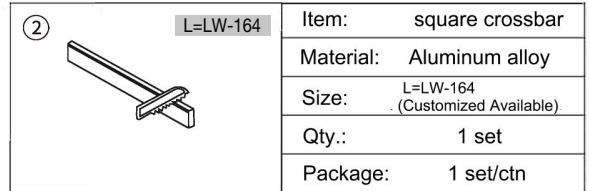
Ref.: F19220

Material: Aluminum alloy

Size: 540

Qty.: 1 set

Package: 1 set/ctn



L=LW-164

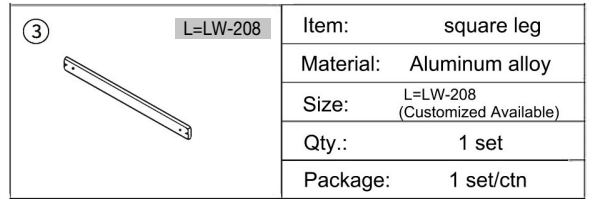
Item: square crossbar

Material: Aluminum alloy

Size: L=LW-164  
(Customized Available)

Qty.: 1 set

Package: 1 set/ctn



L=LW-208

Item: square leg

Material: Aluminum alloy

Size: L=LW-208  
(Customized Available)

Qty.: 1 set

Package: 1 set/ctn

#### Table Detail (unit: mm)

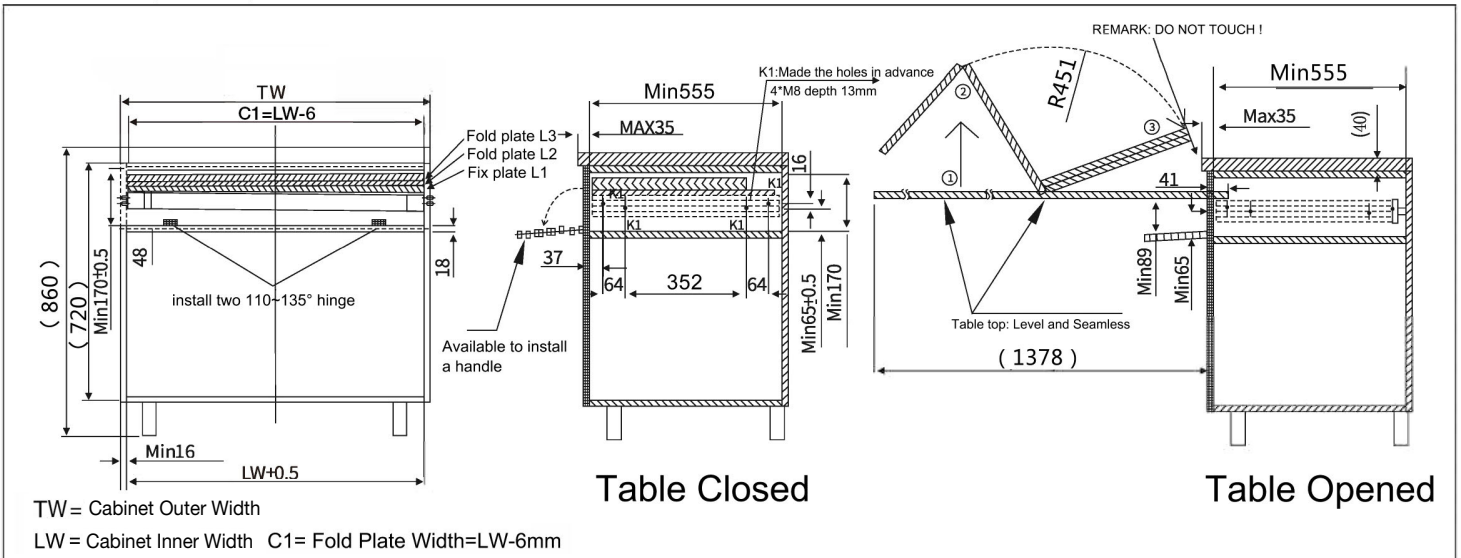


Table Closed

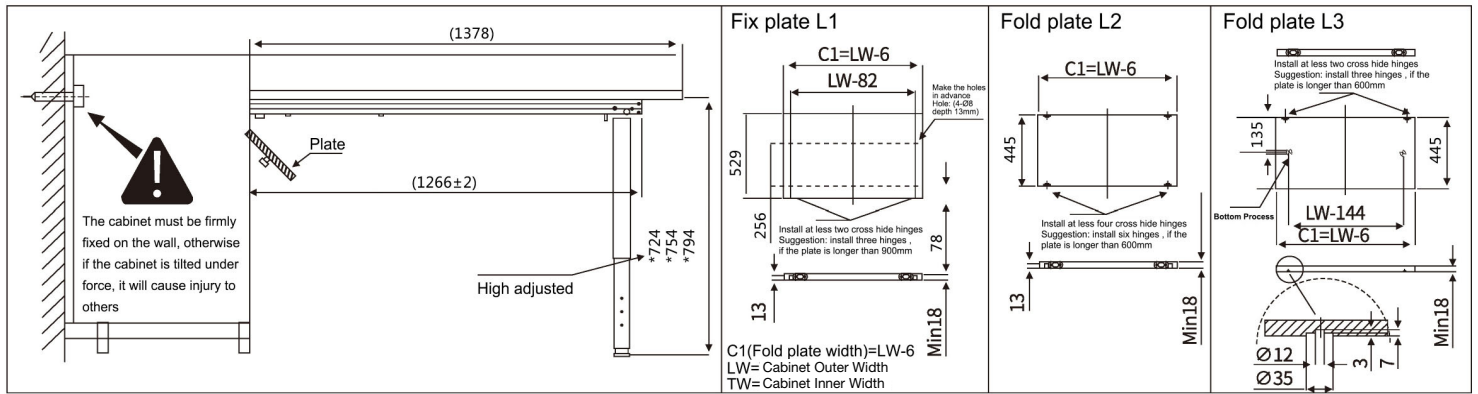
Table Opened

TW = Cabinet Outer Width

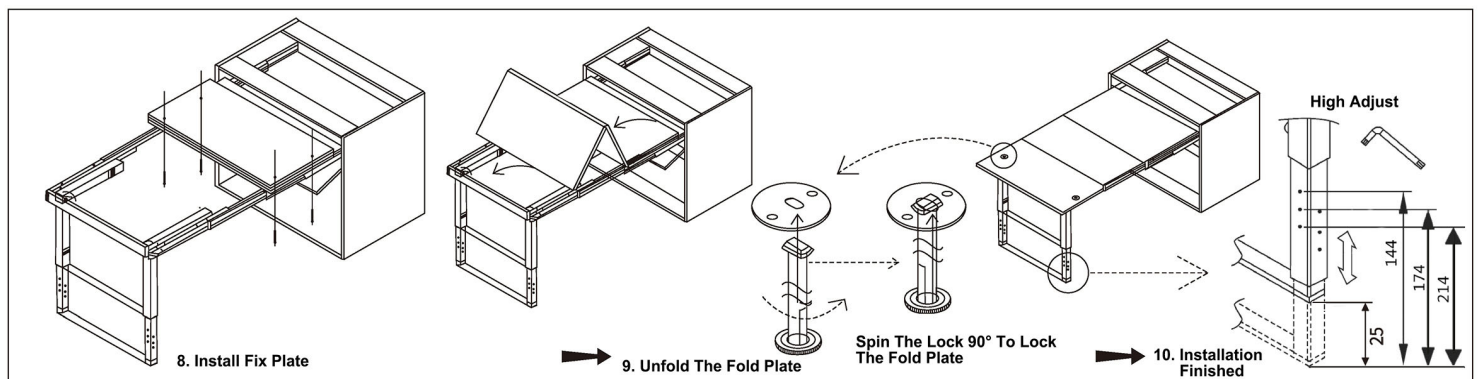
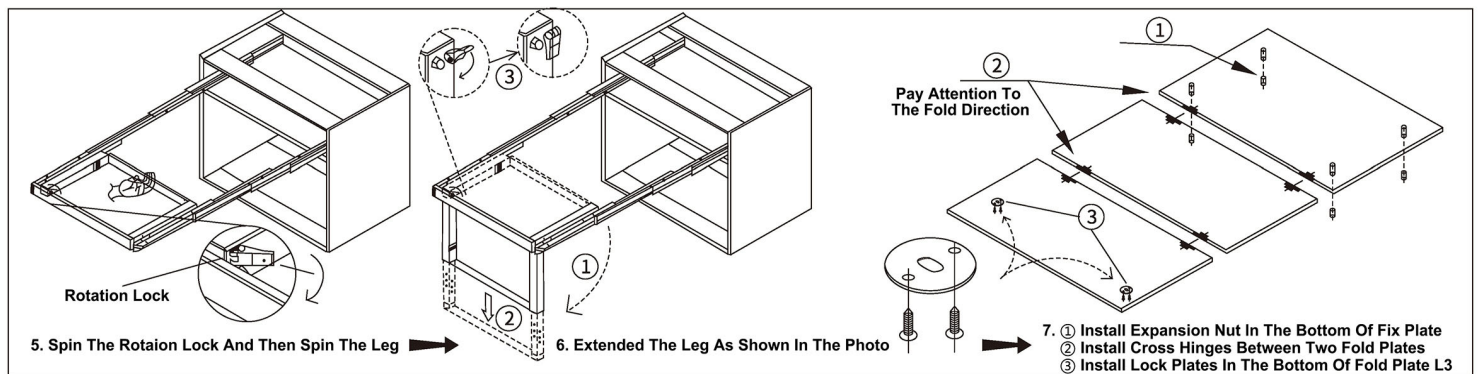
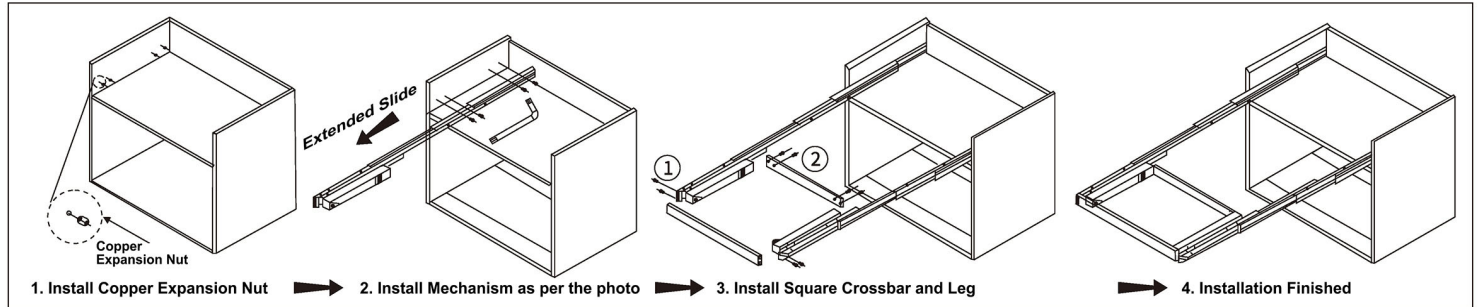
LW = Cabinet Inner Width C1 = Fold Plate Width=LW-6mm

# Installation Detail

## Plate Size



## Table Mechanism Install Detail



## Table Close Step

