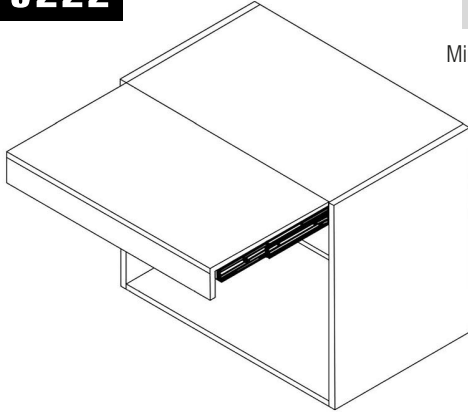


TELESCOPIC LIFTING / 540

Table Mechanism

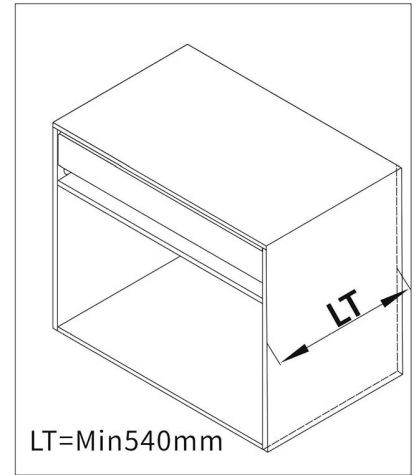
ASSEMBLY INSTRUCTIONS

Ref.: **F19222**

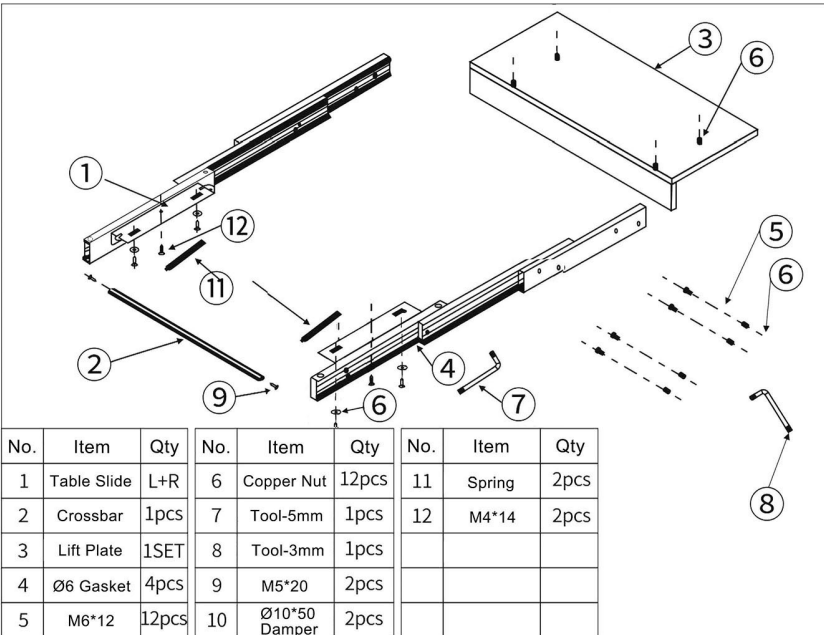


Description

1. Made of aluminum alloy
2. Wide usage: can be used on desk, cabinet and dining table
3. Extended smoothly and quietly
4. Easy installation
5. Inner Minimum Depth: Min 540mm
6. Load capacity: 40kg



Details

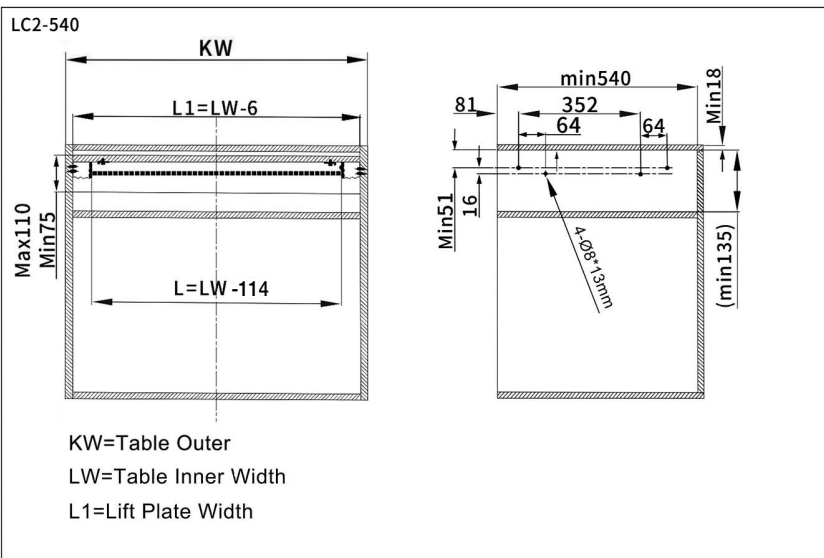


No.	Item	Qty	No.	Item	Qty	No.	Item	Qty
1	Table Slide	L+R	6	Copper Nut	12pcs	11	Spring	2pcs
2	Crossbar	1pcs	7	Tool-5mm	1pcs	12	M4*14	2pcs
3	Lift Plate	1SET	8	Tool-3mm	1pcs			
4	Ø6 Gasket	4pcs	9	M5*20	2pcs			
5	M6*12	12pcs	10	Ø10*50 Damper	2pcs			

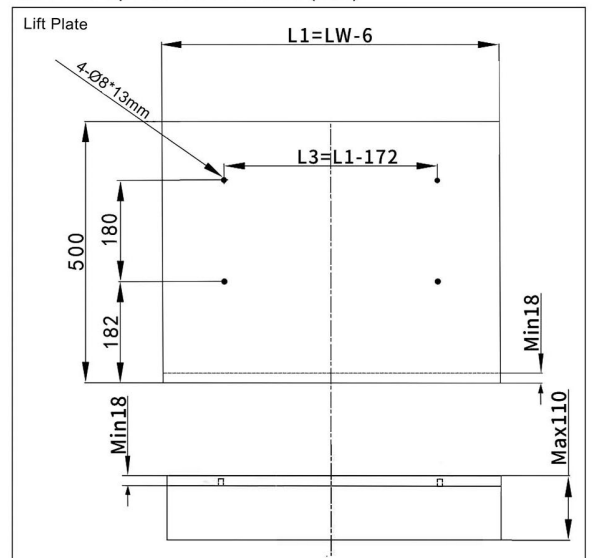
	Ref.: F19222
	Material: Aluminum Alloy
	Size: 480mm
	Qty: 1set
Tool Kit	Package: 1set/ctn

	L=LW-114
	Item: 540 Crossbar
	Material: Aluminum Alloy
	Size: L=LW-114
	Qty: 1set
	Package: 1set/ctn
	Cabinet: Max. 1100

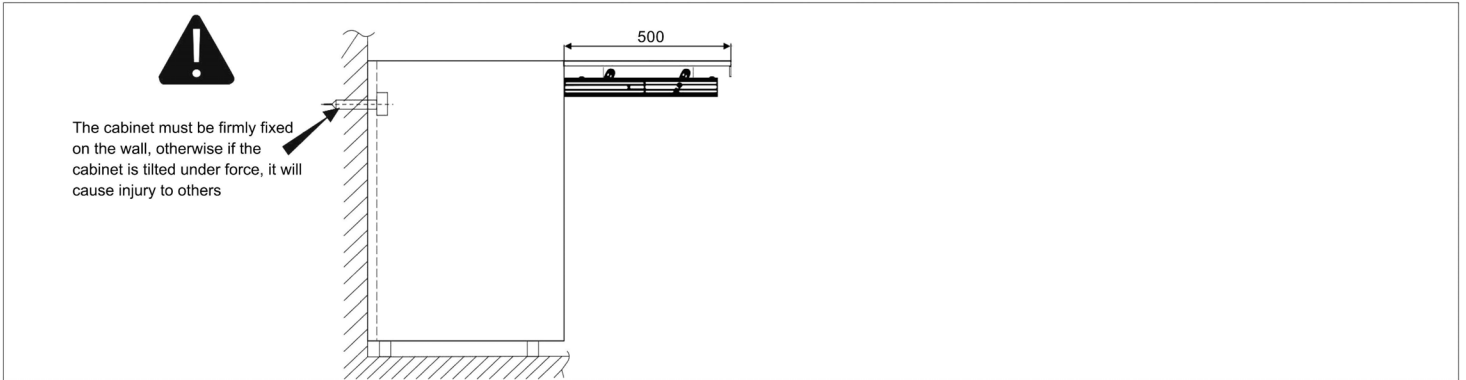
Table Specification Details (mm)



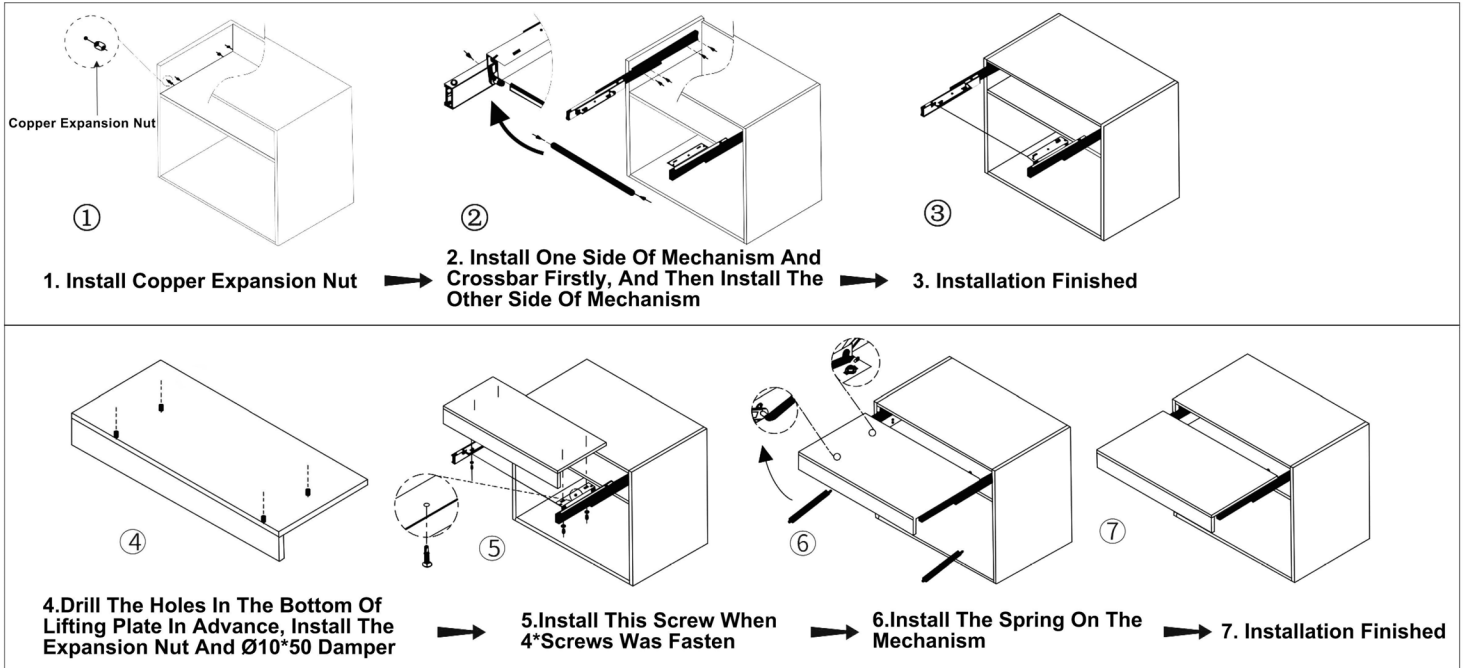
Lift Plate Specification Details (mm)



Installation Detail



Mechanism Installation Detail



Use Detail

