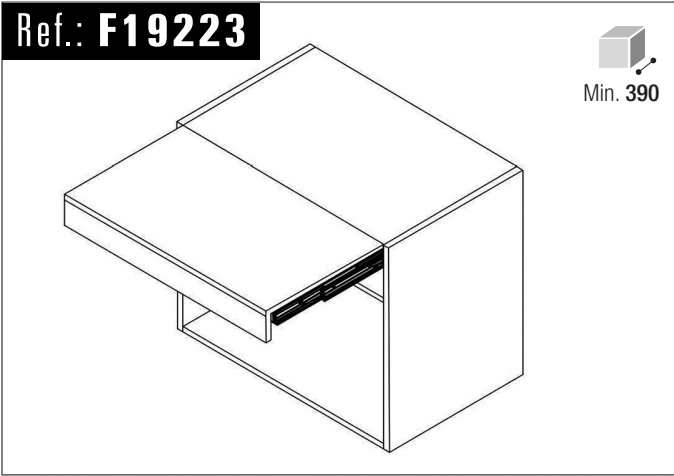


TELESCOPIC LIFTING / 390

Table Mechanism

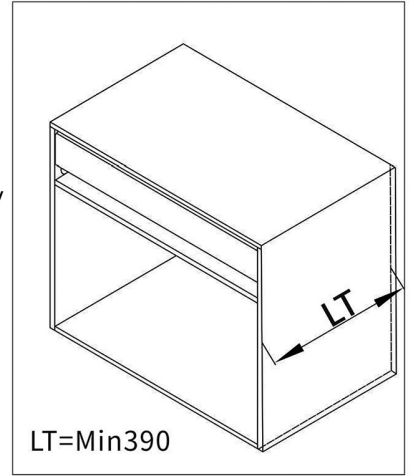
ASSEMBLY INSTRUCTIONS

Ref.: **F19223**

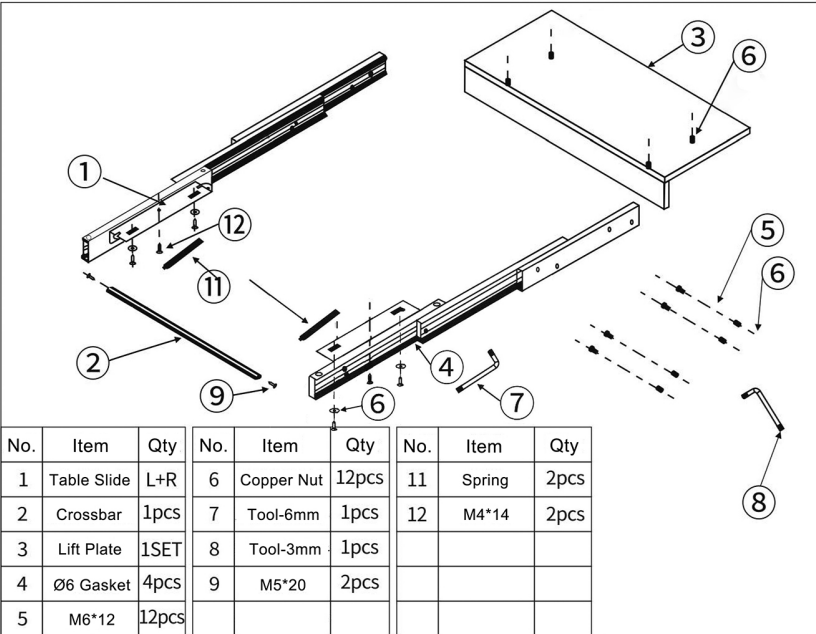


Description

1. Made of aluminum alloy with steel plates
2. Wide usage: can be used on desk, cabinet and dining table
3. Extended smoothly and quietly
4. Easy installation
5. Load capacity: 30kg



Detail



No.	Item	Qty	No.	Item	Qty	No.	Item	Qty
1	Table Slide	L+R	6	Copper Nut	12pcs	11	Spring	2pcs
2	Crossbar	1pcs	7	Tool-6mm	1pcs	12	M4*14	2pcs
3	Lift Plate	1SET	8	Tool-3mm	1pcs			
4	Ø6 Gasket	4pcs	9	M5*20	2pcs			
5	M6*12	12pcs						

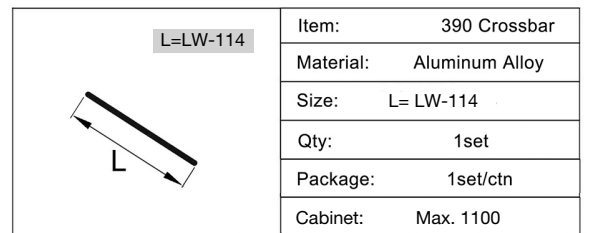
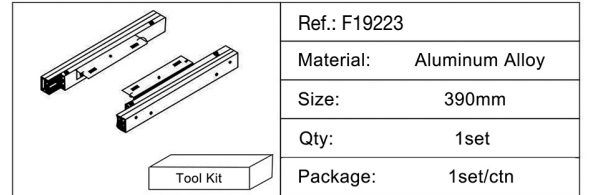


Table Specification Detail

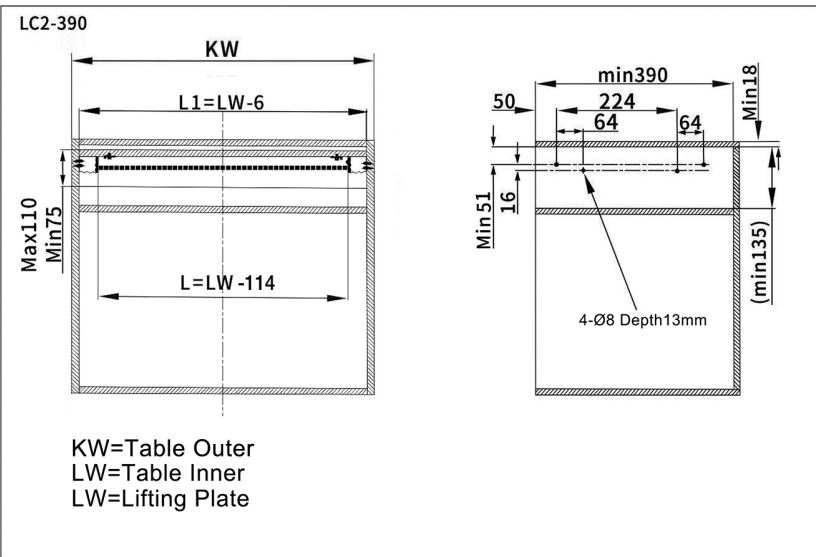
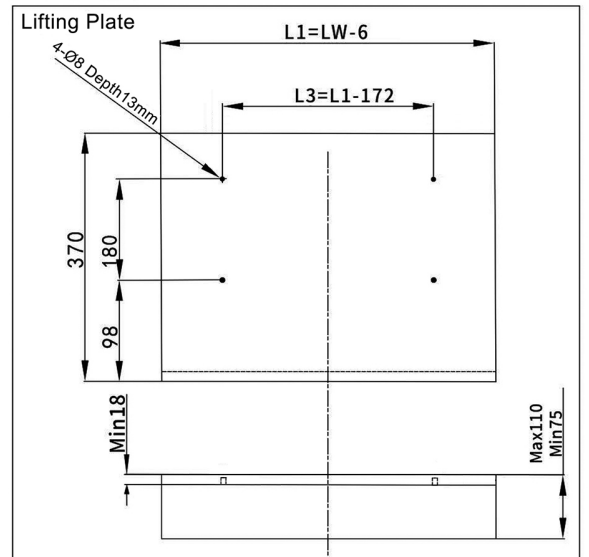
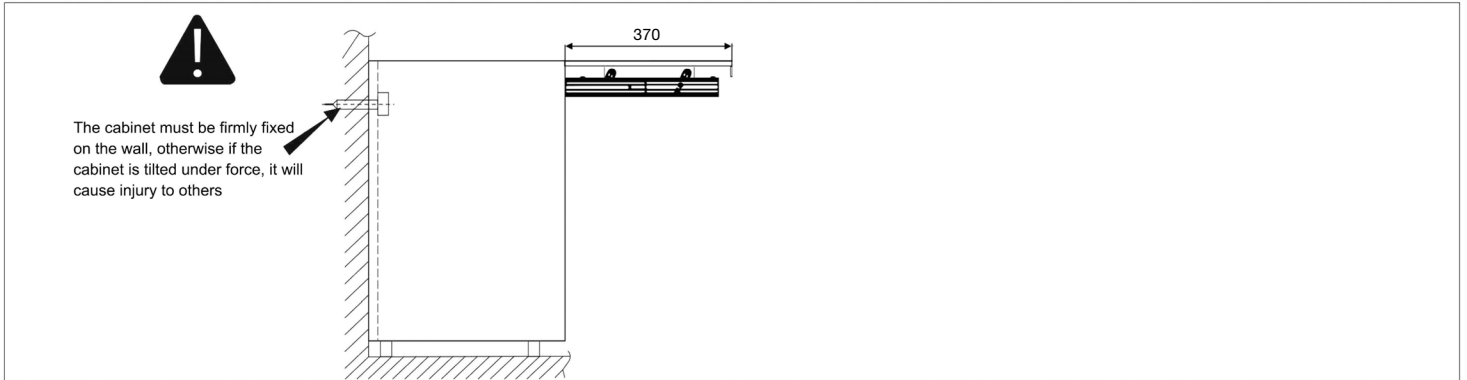


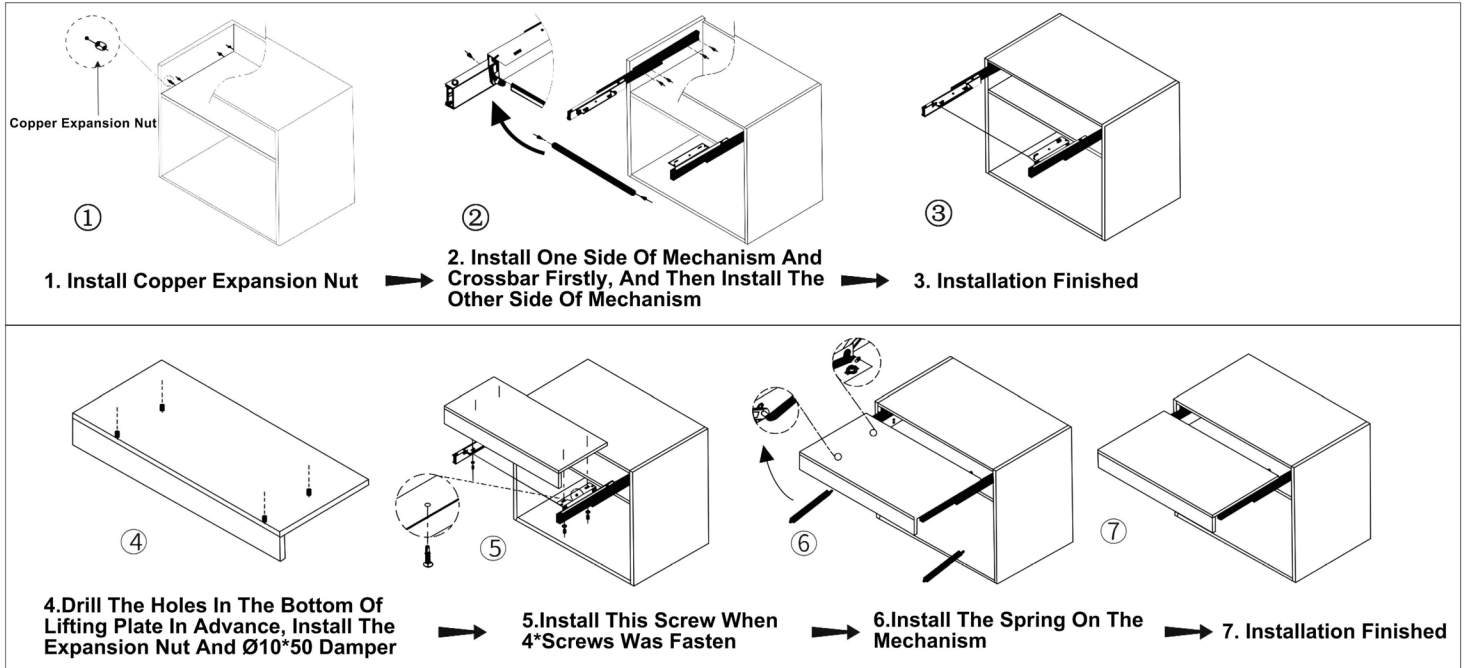
Table Specification Detail (mm)



Installation Detail



Mechanism Installation Detail



Use Detail

