

TELESCOPIC 540

Table Mechanism

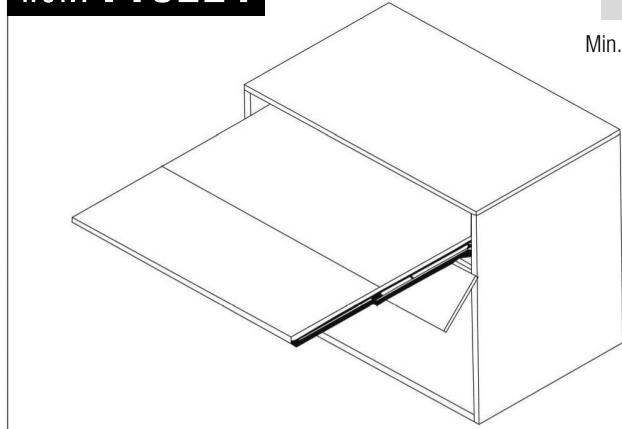
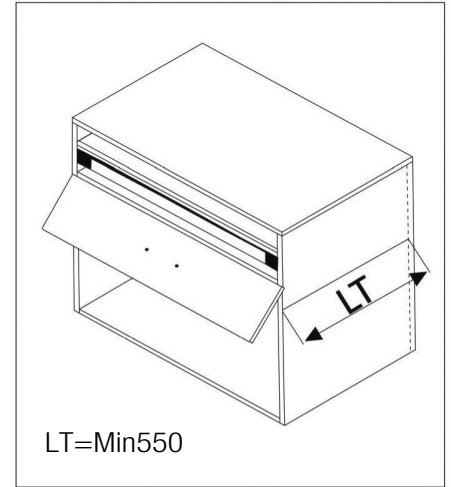
ASSEMBLY INSTRUCTIONS

Ref.: F19224

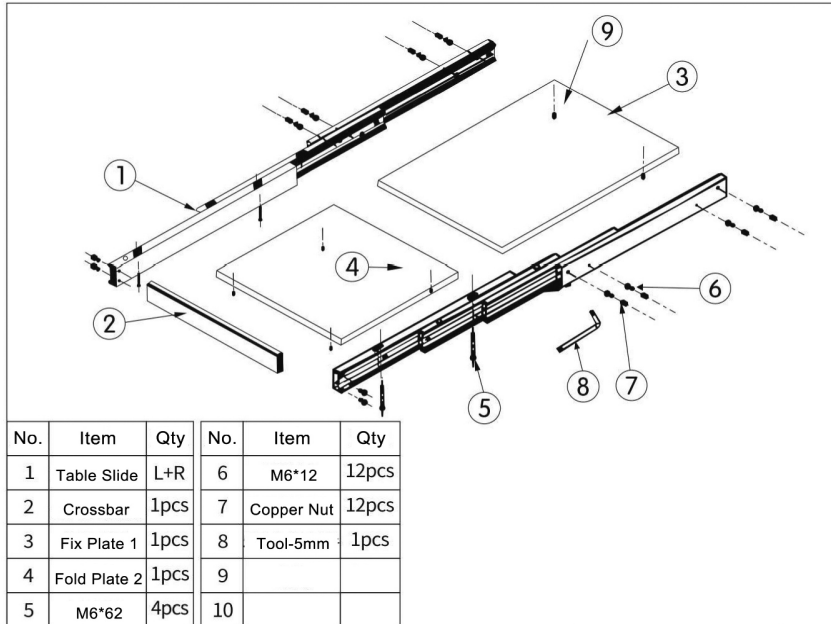


Description

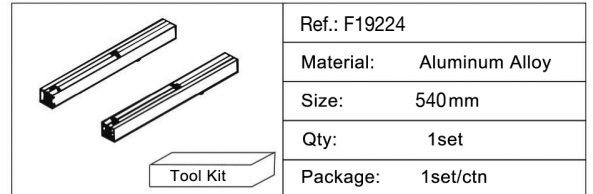
1. Made of aluminum alloy with steel plates
2. Wide usage: can be used on desk, cabinet and dining table
3. Extended smoothly and quietly
4. Easy installation
5. Inner Minimum Depth: 550mm
6. Load capacity: 40kg



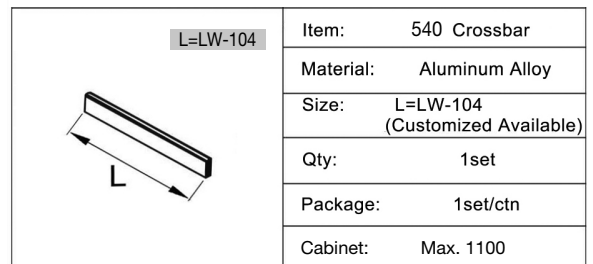
Detail



No.	Item	Qty	No.	Item	Qty
1	Table Slide	L+R	6	M6*12	12pcs
2	Crossbar	1pcs	7	Copper Nut	12pcs
3	Fix Plate 1	1pcs	8	Tool-5mm	1pcs
4	Fold Plate 2	1pcs	9		
5	M6*62	4pcs	10		

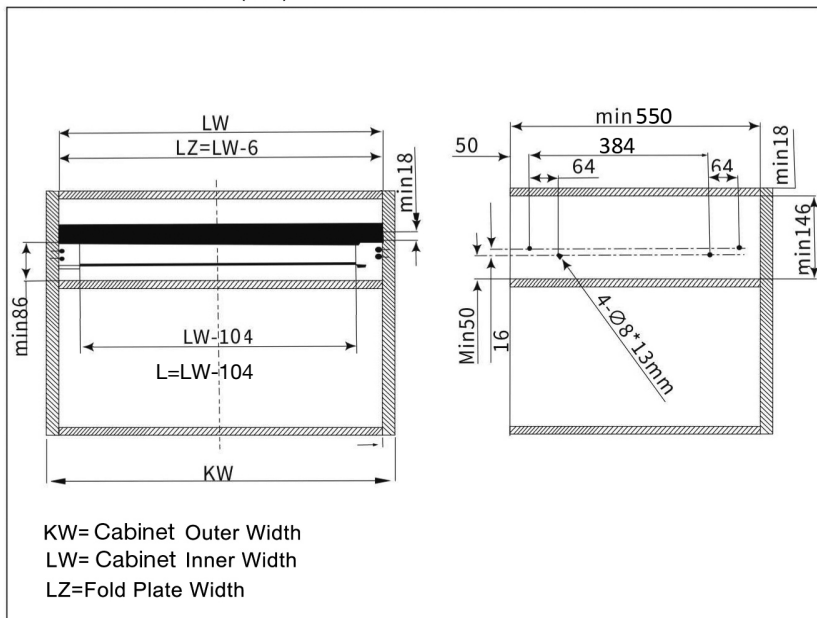


Ref.: F19224
Material: Aluminum Alloy
Size: 540mm
Qty: 1set
Package: 1set/ctn

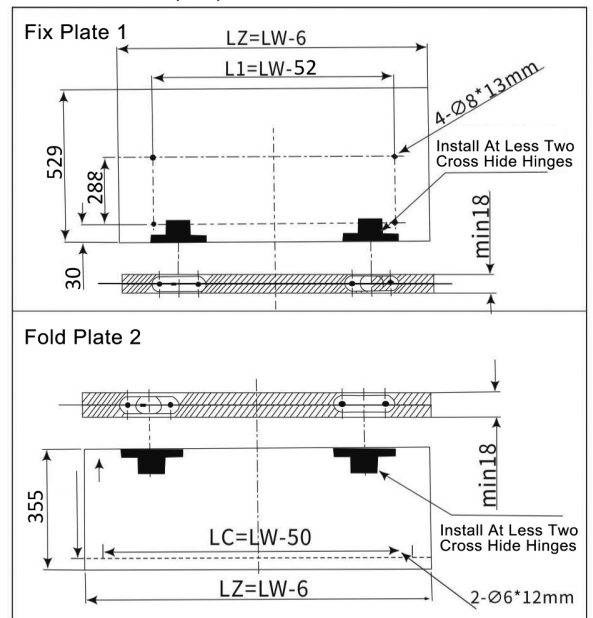


Item: 540 Crossbar
Material: Aluminum Alloy
Size: L=LW-104 (Customized Available)
Qty: 1set
Package: 1set/ctn
Cabinet: Max. 1100

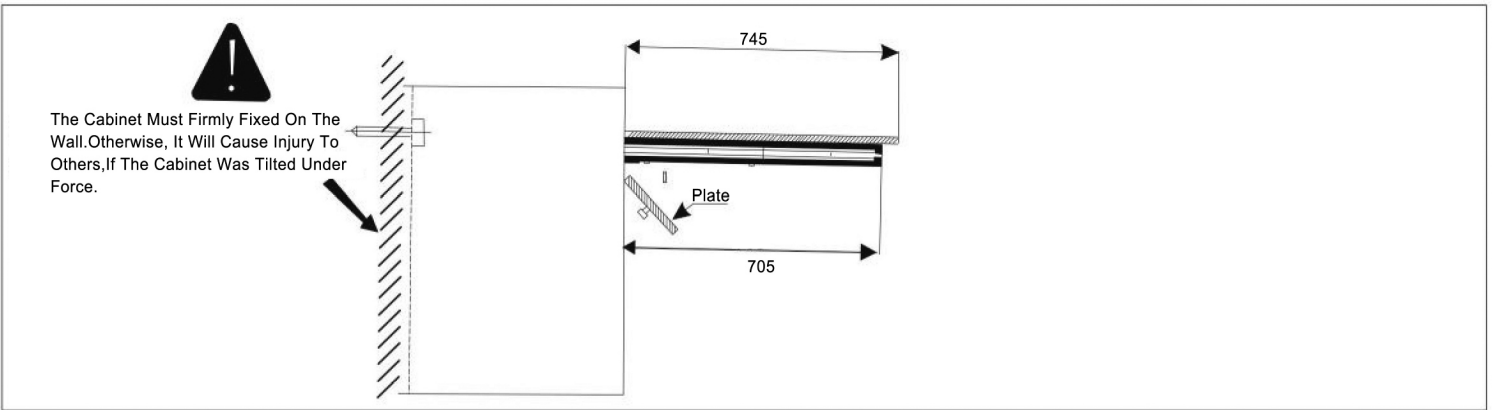
Table Installation Detail(mm)



Fold Plate Detail(mm)



Installation Details



Mechanism Installation Details

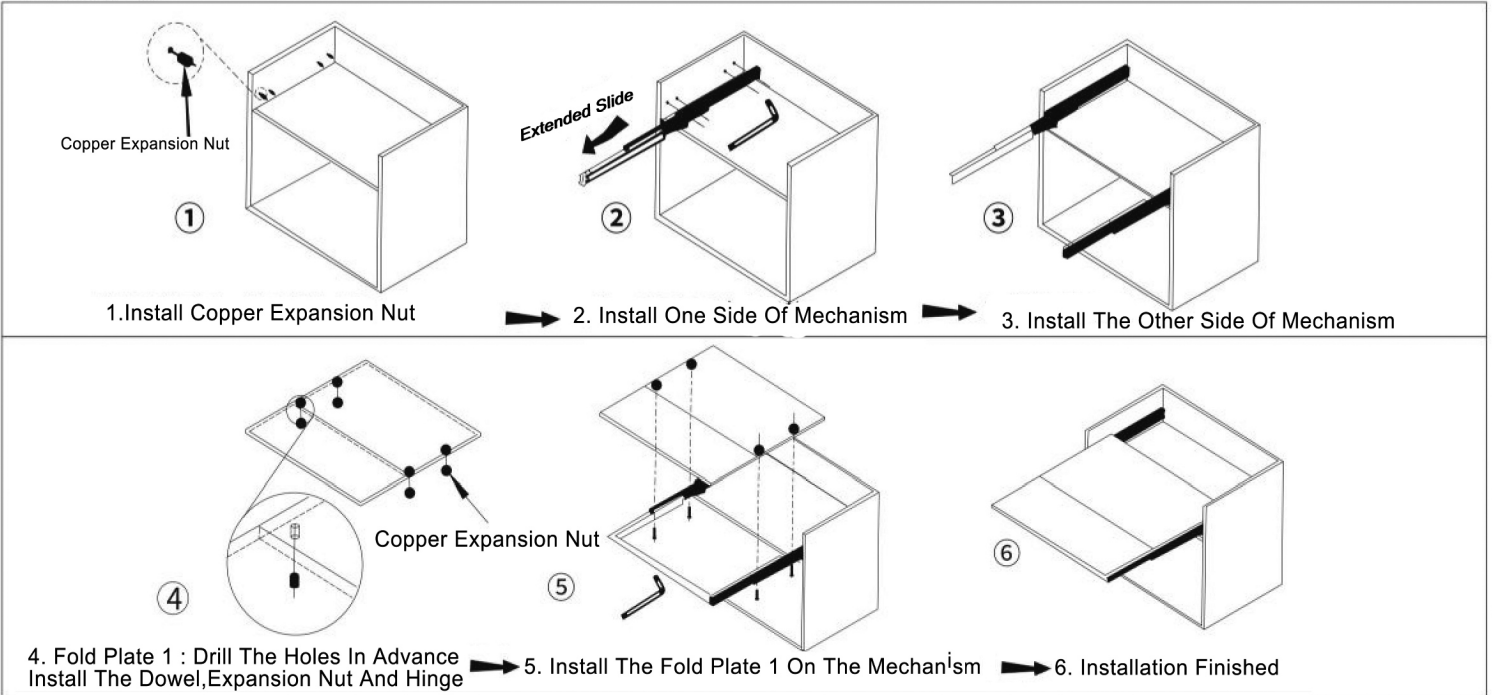
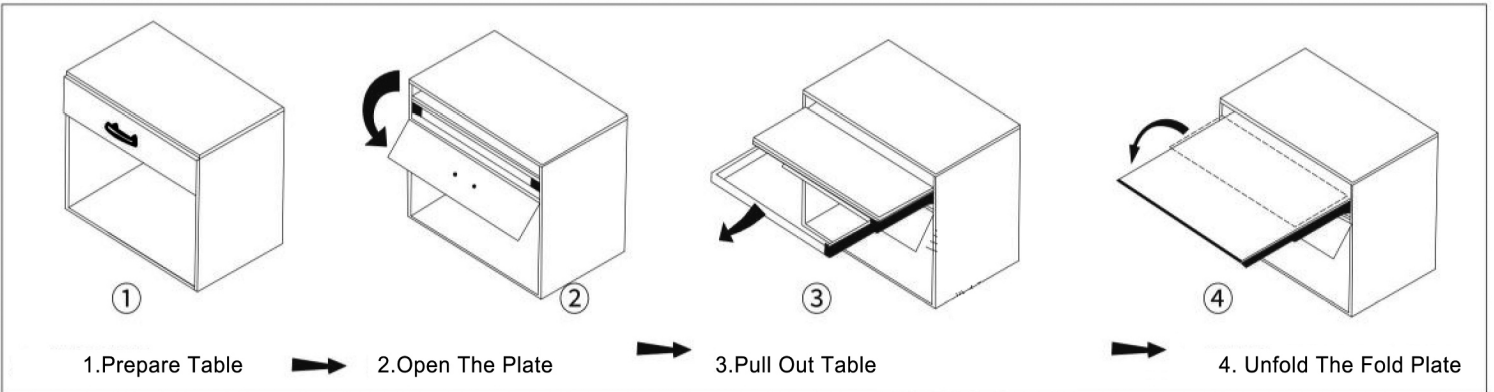


Table Use Details



Closed

