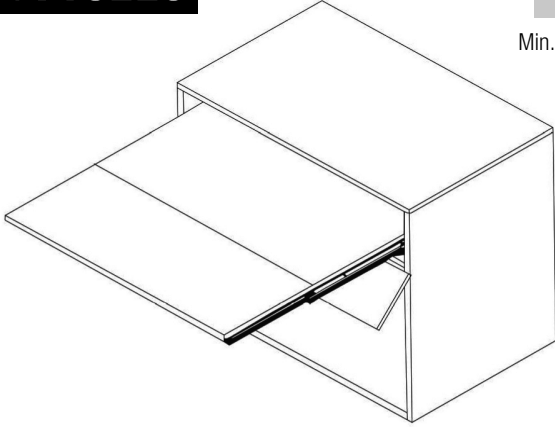


# TELESCOPIC 390

## Table Mechanism

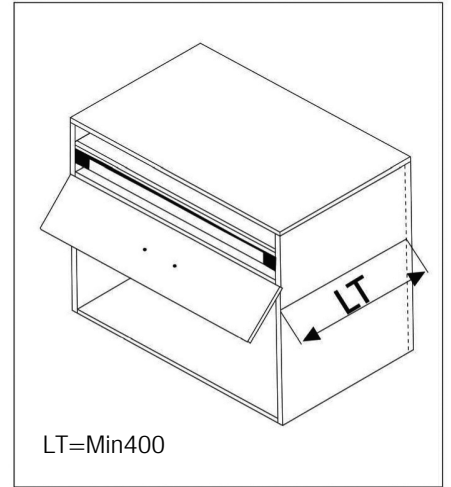
### ASSEMBLY INSTRUCTIONS

Ref.: F19225

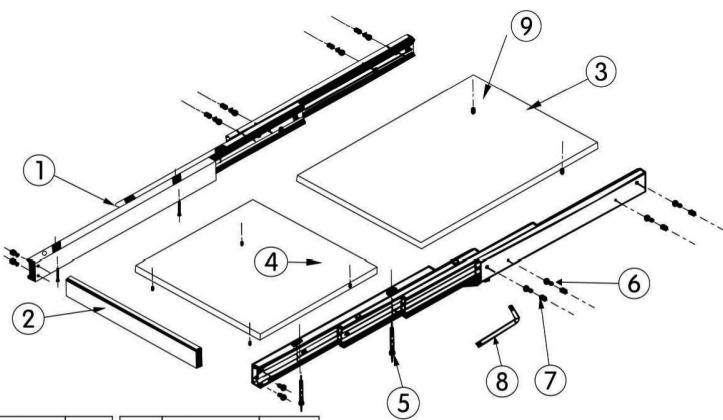


#### Description

1. Made of aluminum alloy with steel plates
2. Wide usage: can be used on desk, cabinet and dining table
3. Extended smoothly and quietly
4. Easy installation
5. Inner Minimum Depth: 400mm
6. Load capacity: 40kg



#### Detail

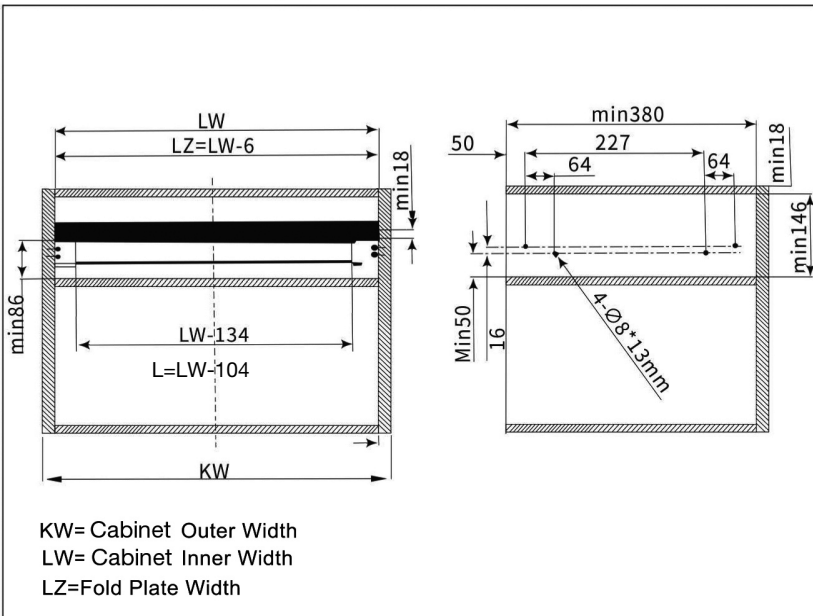


No.	Item	Qty	No.	Item	Qty
1	Table Slide	L+R	6	M6*12	12pcs
2	Crossbar	1pcs	7	Copper Nut	12pcs
3	Fix Plate 1	1pcs	8	Tool-5mm	1pcs
4	Fold Plate 2	1pcs	9	Dowel	2 pcs
5	M6*62	4pcs	10		

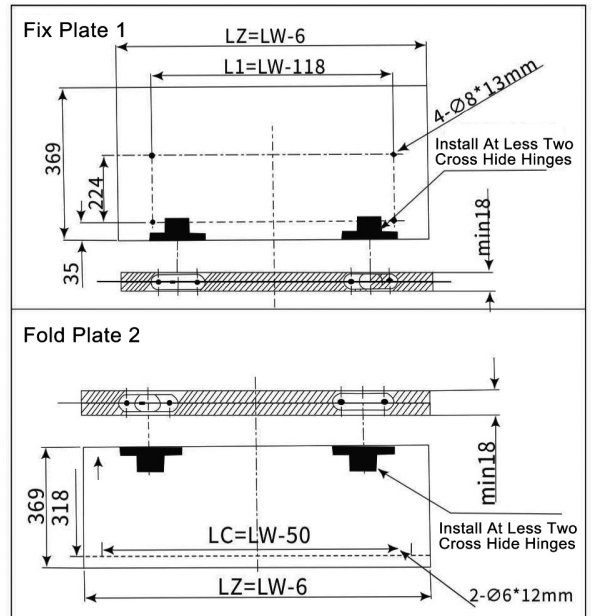
	Ref.: F19225
	Material: Aluminum Alloy
	Size: 390mm
	Qty: 1set
Tool Kit	
Package: 1set/ctn	

	Item: 390 Crossbar
	Material: Aluminum Alloy
	Size: L=LW-134 (Customized Available)
	Qty: 1set
	Package: 1set/ctn
Cabinet: Max. 1100	

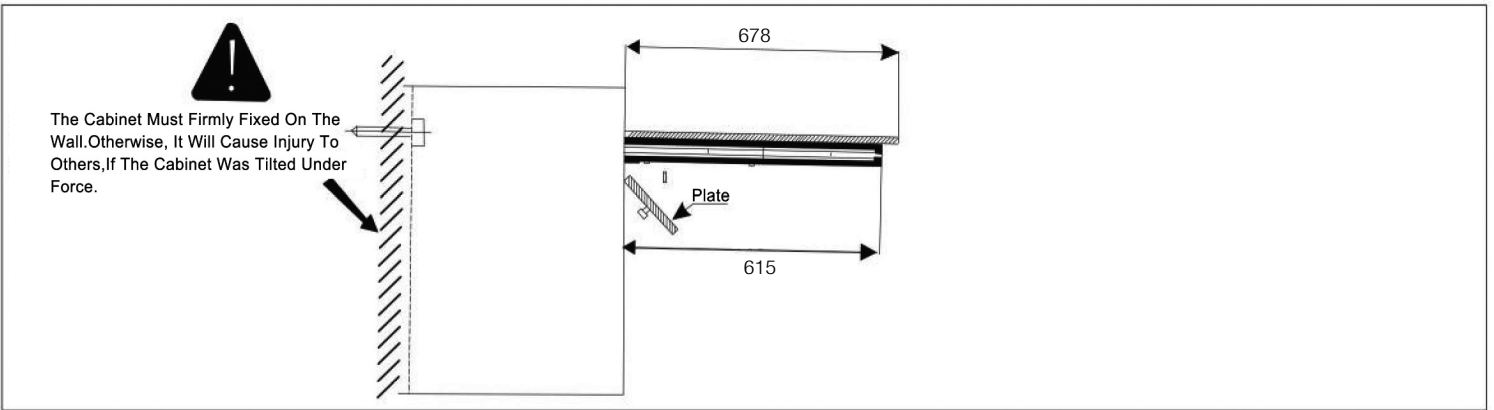
#### Table Installation Detail(mm)



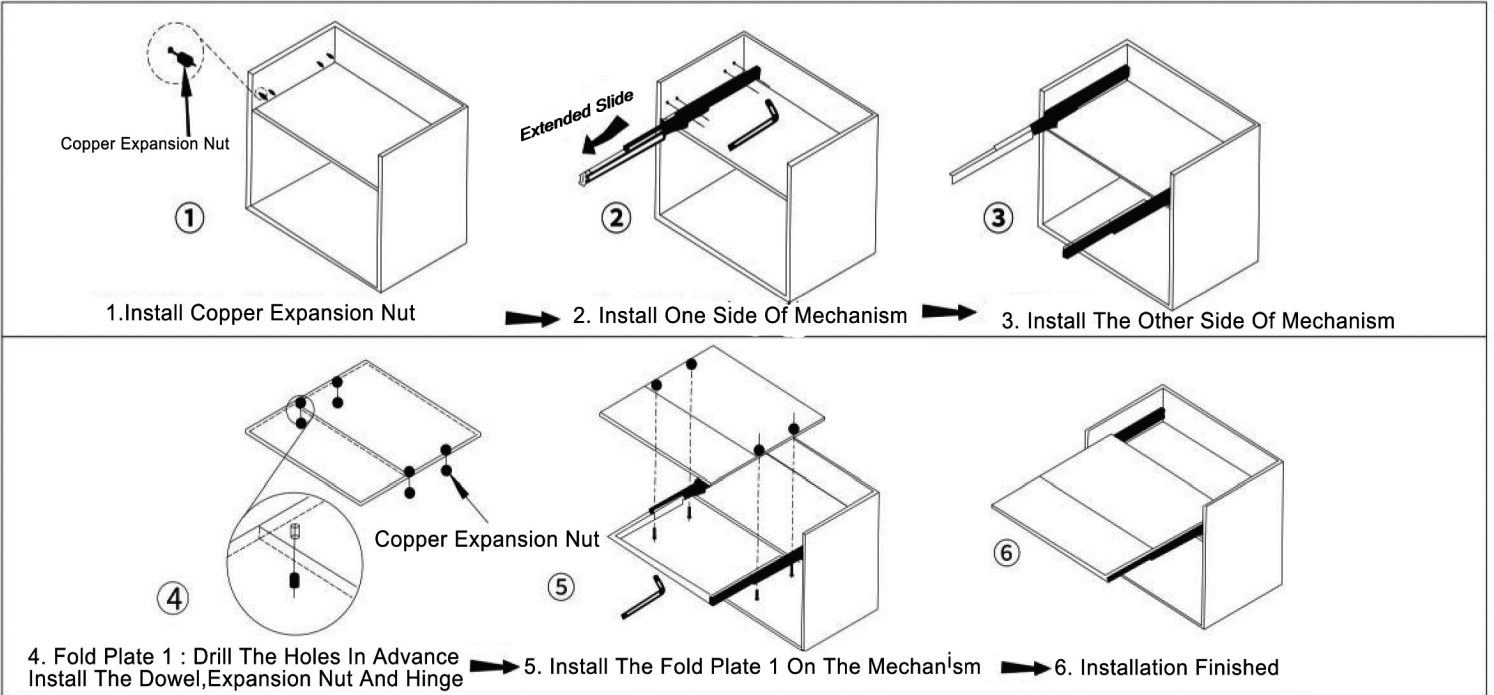
#### Fold Plate Detail(mm)



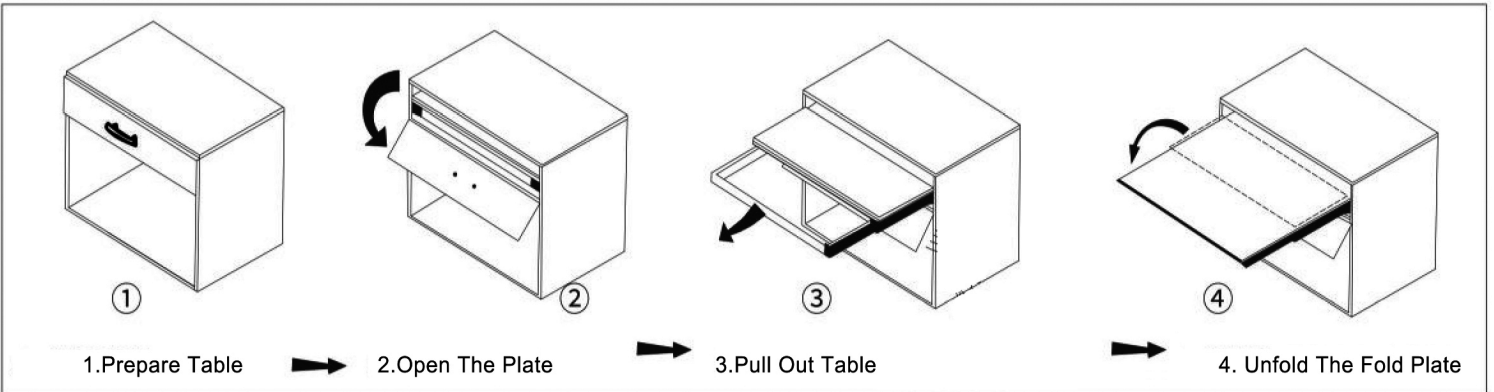
# Installation Details



## Mechanism Installation Details



## Table Use Details



## Closed

