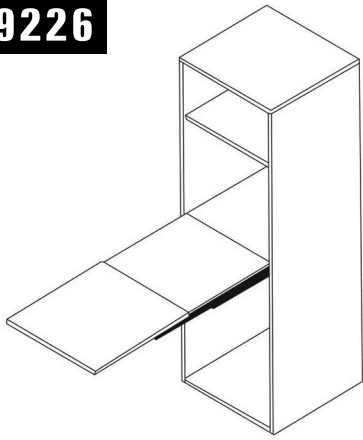


FOLDING TELESCOPIC Table Slide

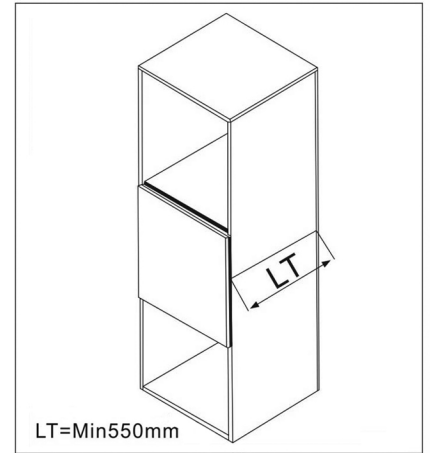
ASSEMBLY INSTRUCTIONS

Ref.: **F19226**

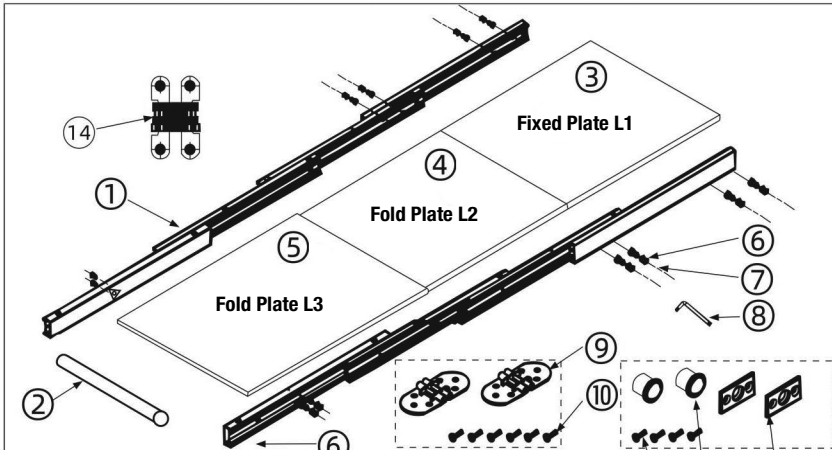


Description:

1. Material: aluminum alloy
2. Usage: desk, dining table
3. LT (Min inner length): 550mm
4. Capacity: 40kg



Product Detail



NO.	ITEM	QTY	NO.	ITEM	QTY	NO.	ITEM	QTY
1	TABLE SLIDE L+R	6	6	M6*15	8pcs	11	Lock	2pcs
2	Crossbar	1pcs	7	Copper Nut	8pcs	12	Lock basket	2pcs
3	Fixed Plate L1	1pcs	8	Tool-5mm	1pcs	13	M4*15	4pcs
4	Fold Plate L2	1pcs	9	Hinge	2pcs	14	Cross Hinge	2pcs
5	Fold Plate L3	1pcs	10	M2*10	10pcs			

	Ref.: F19226
	Material: Aluminum alloy
	Size: 540mm
	Qty.: 1 set
	Package: 1 set/ ctn
	Item: Crossbar
	Material: Aluminum alloy
	Size: L=LW-134 (Available to be customized)
	Qty.: 1 set
	Package: 1 set/ ctn
	Max. Bar = Cabinet 1100

Folding Plate Specification

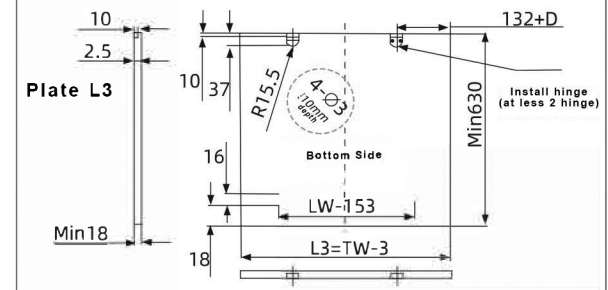
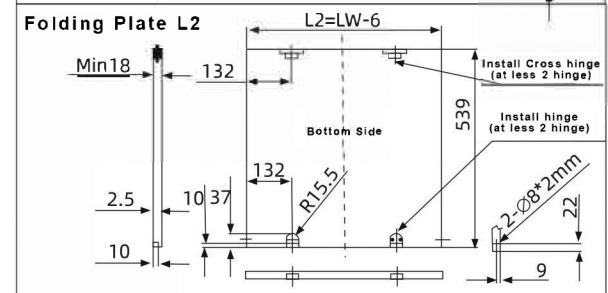
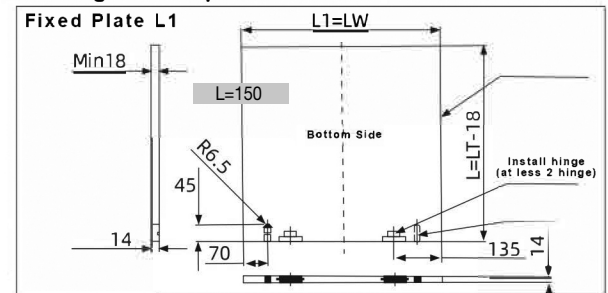
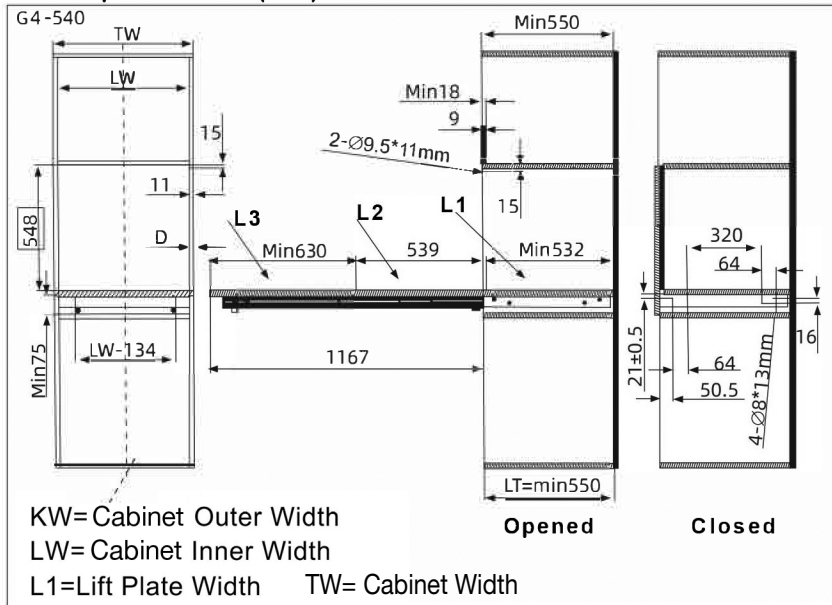
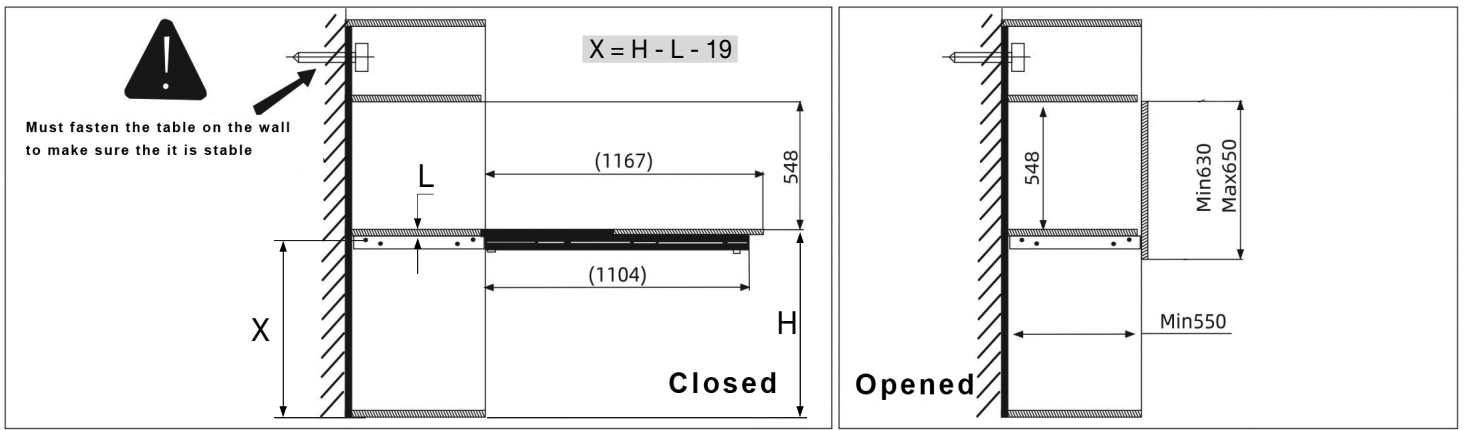
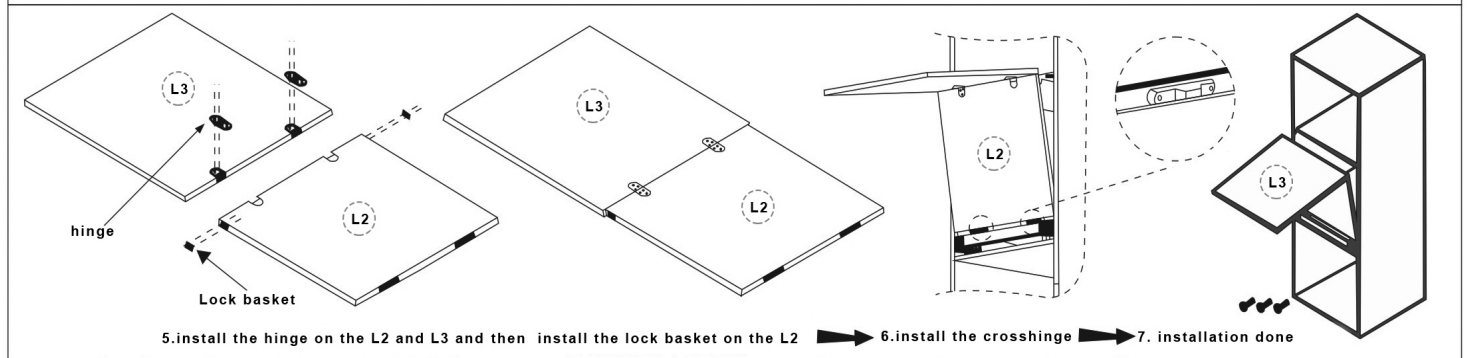
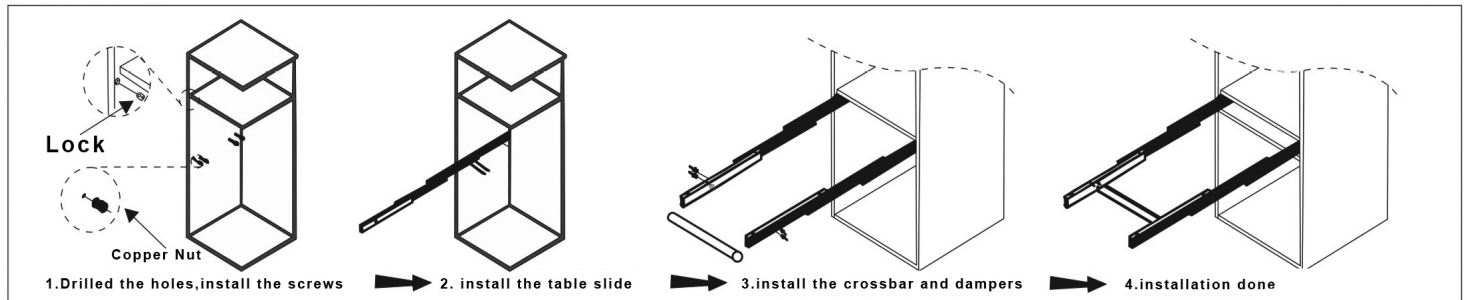


Table Specification (mm)

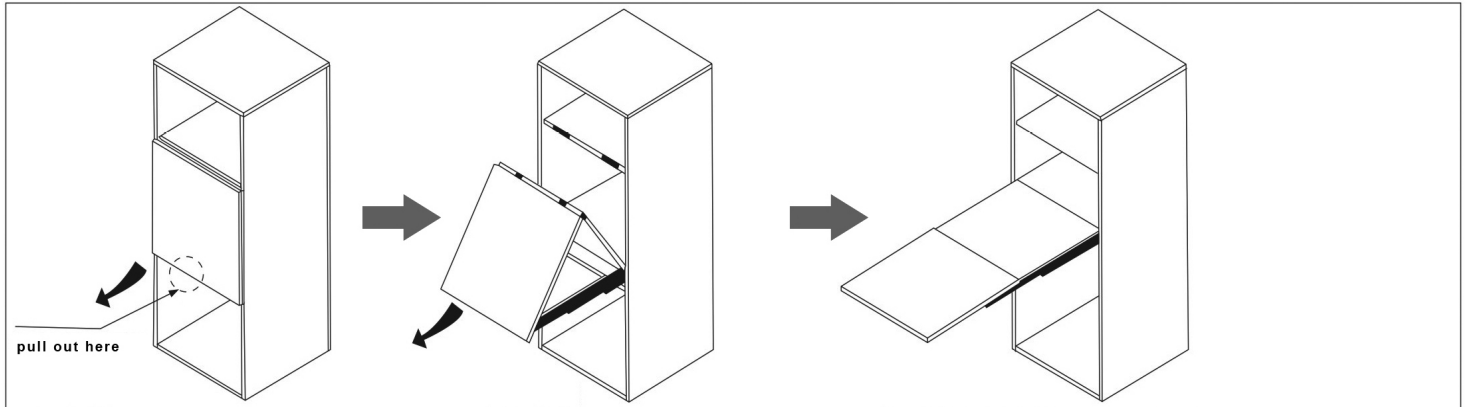




Installation of table slide



open step



close step

