

# TELESCOPIC HIDE Table Slide

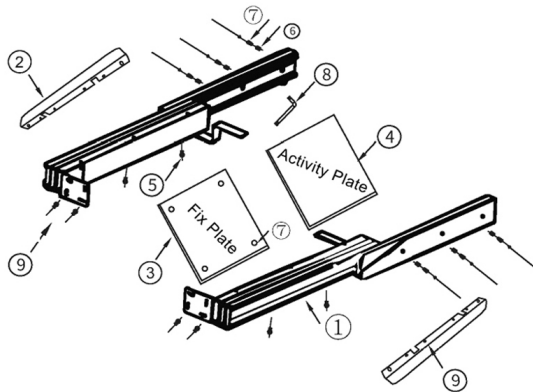
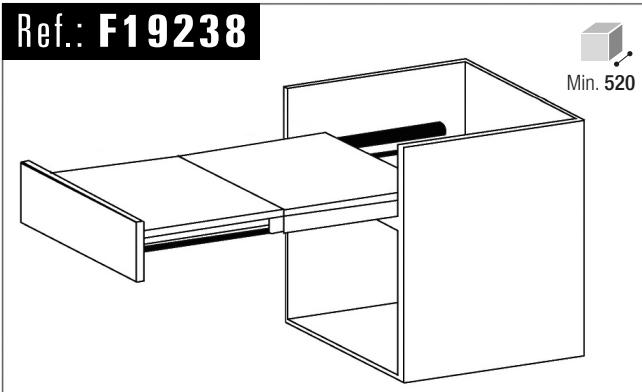
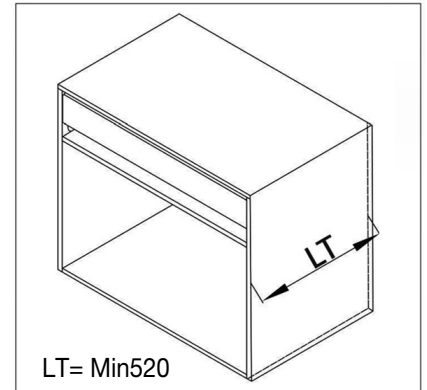
## ASSEMBLY INSTRUCTIONS

Ref.: **F19238**



### Description

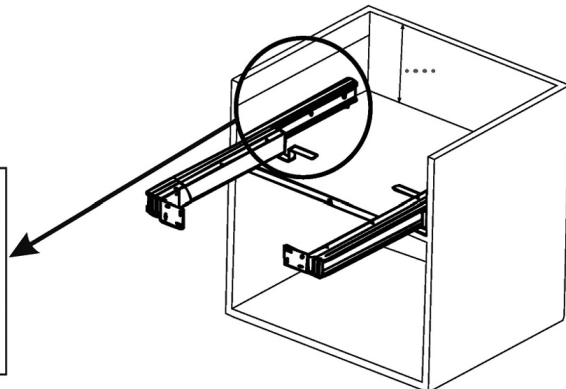
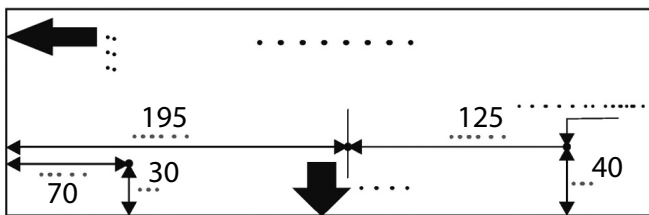
1. Made of aluminum alloy with steel plates.
2. Use of space.
3. Adjustable height.
4. Load capacity: 35 K.



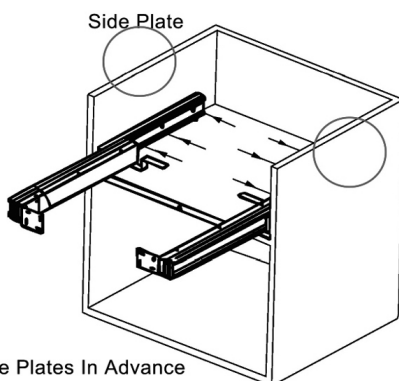
No.	Item	Qty	No.	Item	Qty
1	Table Slide	L+R	6	M6*20	6PCS
2	Wing	L+R	7	Copper Expansion Nut	10PCS
3	Fix Plate	1PCS	8	Tool-5mm	1PCS
4	Activity Plate	1PCS	9	M4*16	20PCS
5	M6*62	4PCS			

### Step 1

1. Drill The Holes Of Table Slide According To The Drawing
2. Keep 10mm Between Table Slide And Side Plate
3. Minimum Table Inner Depth: 520mm
4. Minimum Table Inner Height: 150mm

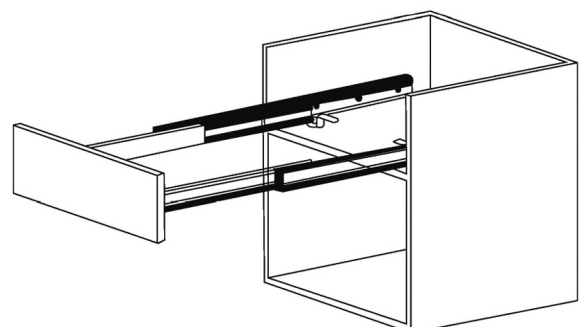


### Step 2



1. Drill The Holes On The Side Plates In Advance
2. Install Expansion Nuts
3. Install The Screws As Shown In The Photo

### Step 3

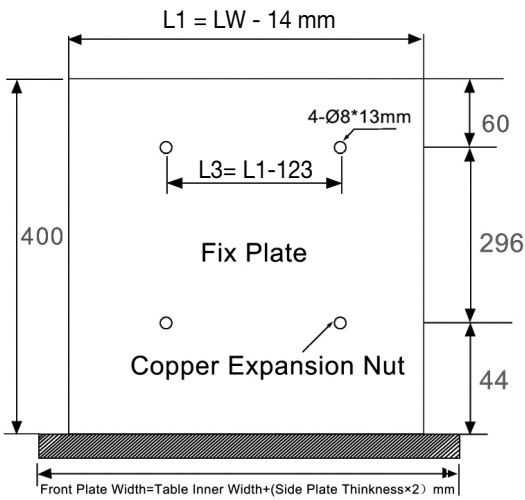


1. Install The Screws As Shown In The Photo

# Table Top Specification Detail

1. Drill The Holes In The Fix Plate Firstly  
Install The Copper Expansion Nuts

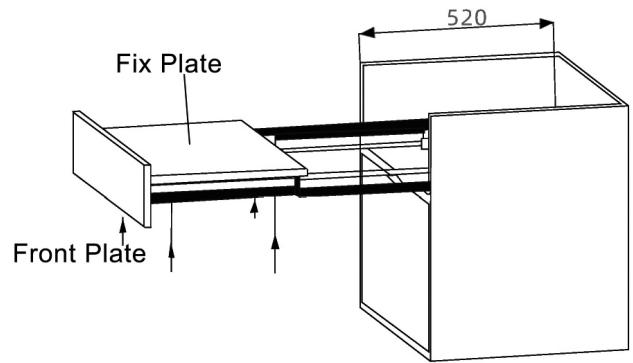
**FIX  
PLATE**



LW= Table inner  
L1 o L2 = Boards width

➡ **Step 4**

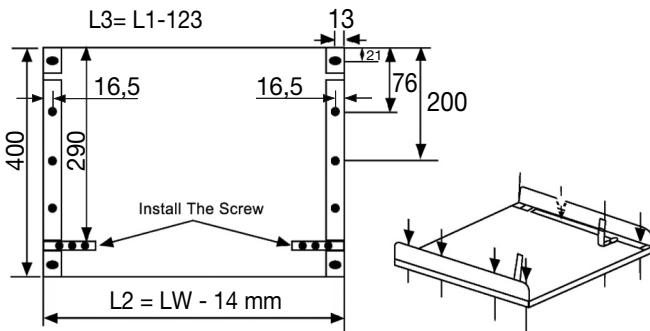
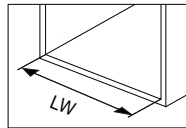
2. Install The Fix Plate On The Table Slide  
By Fasten Screws



➡ **Step 5**

**ACTIVITY  
PLATE**

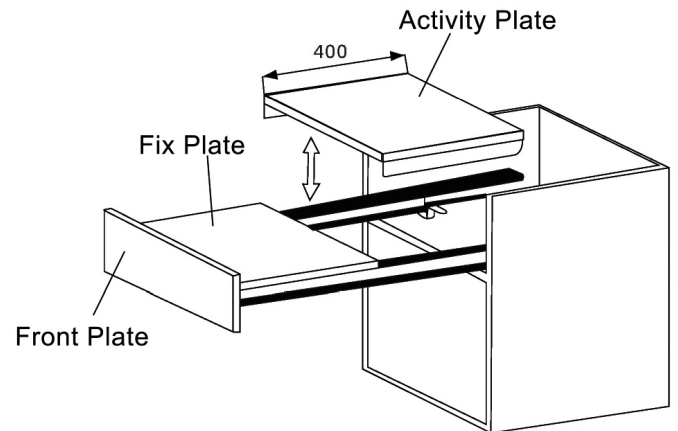
Install The Wing On The Activity  
Plate By Fasten Screws As Shown  
In The Photo



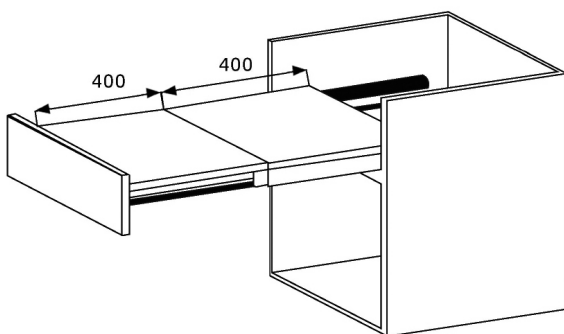
LW= Table inner  
L1 o L2 = Boards width

➡ **Step 6**

Install The Activity Plate As Shown  
In The Photo



➡ **Step 7**



➡ **Step 8**

Table Top Width  
=  
Placa Activa L1 = LW - 14  
Placa Activa L2 = LW - 14

