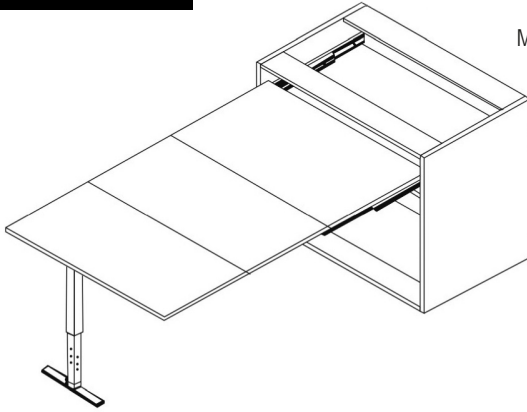


# TELESCOPIC EXTENSION / 540

# Table Slide with Single Leg

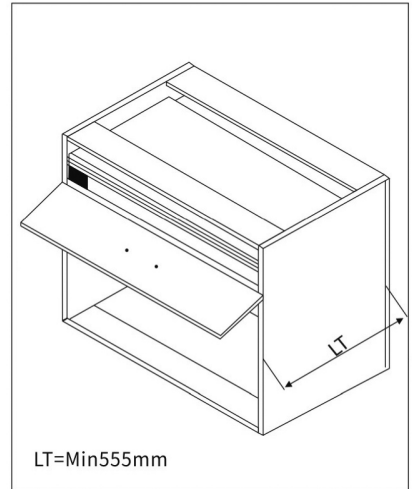
## ASSEMBLY INSTRUCTIONS

Ref.: **F19239**

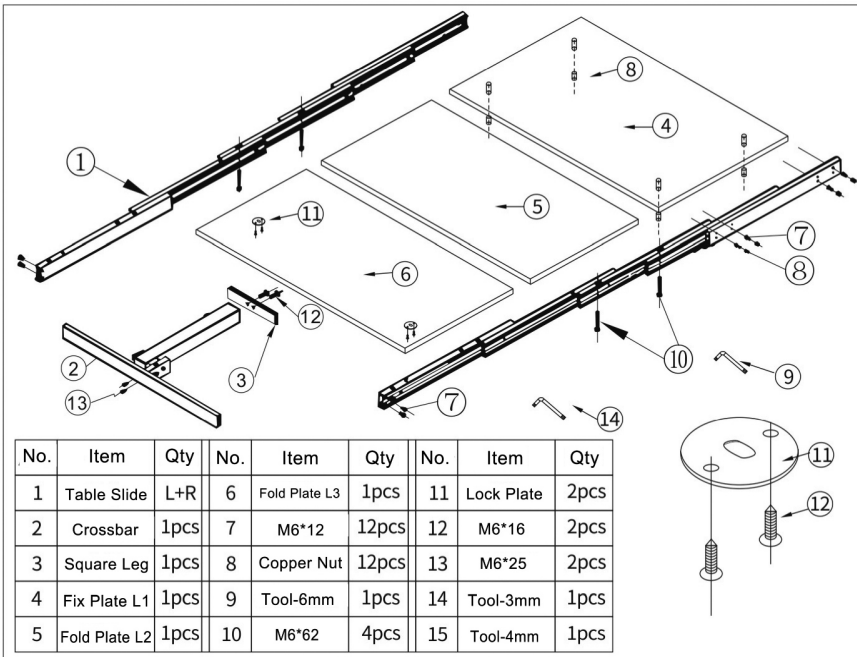


### Description

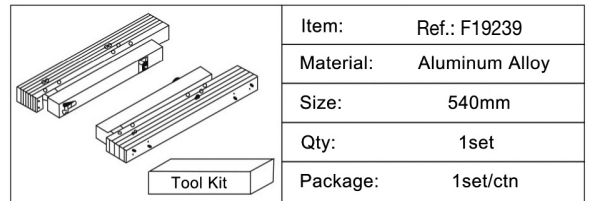
1. Extended to be a 2m long dining table, which is enough for a family or 4~6 persons to use.
2. Made of aluminum alloy with steel plates
3. Wide usage: can be used on desk, cabinet and dining table
4. Extended smoothly and quietly
5. Easy installation
6. Load capacity: 70kg



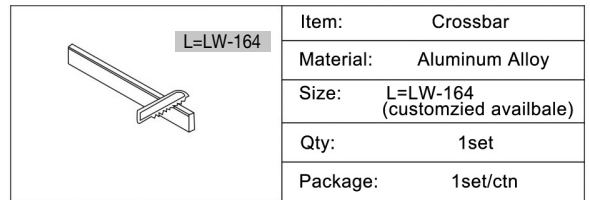
### Details



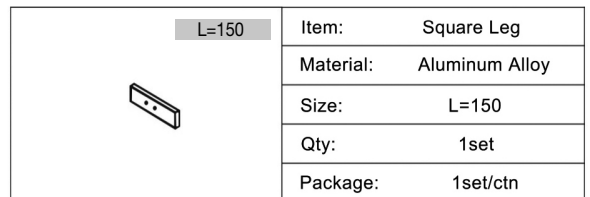
No.	Item	Qty	No.	Item	Qty	No.	Item	Qty
1	Table Slide	L+R	6	Fold Plate L3	1pcs	11	Lock Plate	2pcs
2	Crossbar	1pcs	7	M6*12	12pcs	12	M6*16	2pcs
3	Square Leg	1pcs	8	Copper Nut	12pcs	13	M6*25	2pcs
4	Fix Plate L1	1pcs	9	Tool-6mm	1pcs	14	Tool-3mm	1pcs
5	Fold Plate L2	1pcs	10	M6*62	4pcs	15	Tool-4mm	1pcs



Item:	Ref.: F19239
Material:	Aluminum Alloy
Size:	540mm
Qty:	1set
Package:	1set/ctn

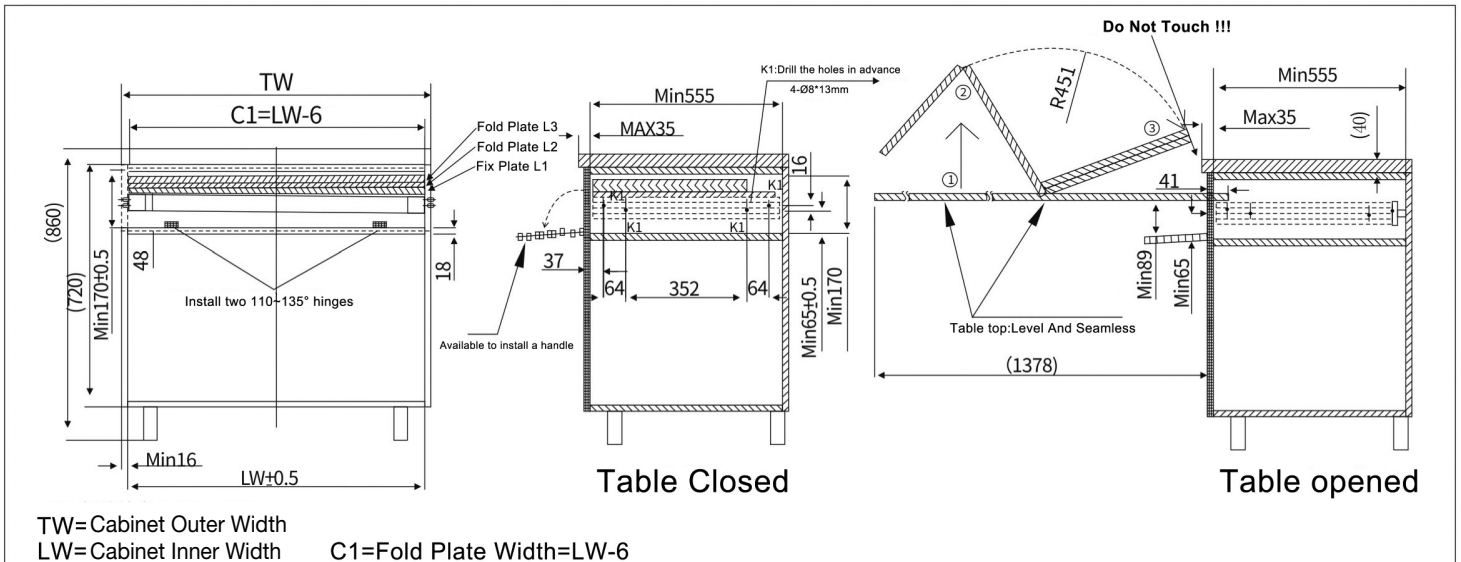


Item:	Crossbar
Material:	Aluminum Alloy
Size:	L=LW-164 (customized available)
Qty:	1set
Package:	1set/ctn



Item:	Square Leg
Material:	Aluminum Alloy
Size:	L=150
Qty:	1set
Package:	1set/ctn

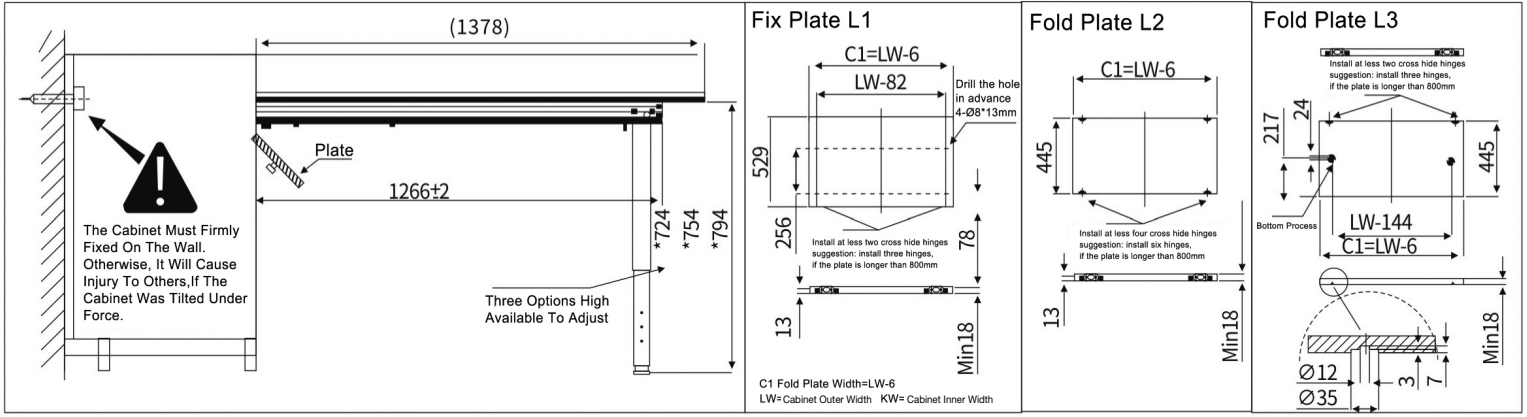
### Table Details(mm)



TW= Cabinet Outer Width  
 LW= Cabinet Inner Width  
 C1= Fold Plate Width=LW-6

# Installation Details

## Plate Size



## Table Mechanism Installation Details

