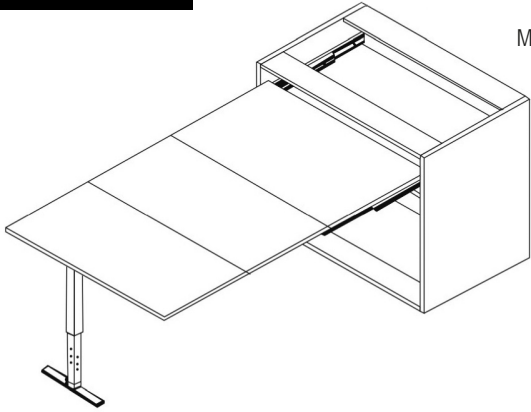


TELESCOPIC EXTENSION / 440

Table Slide with Single Leg

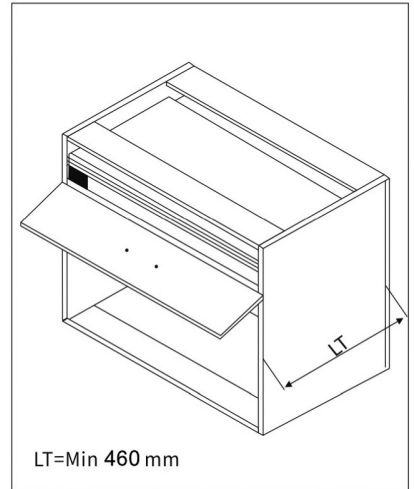
ASSEMBLY INSTRUCTIONS

Ref.: **F19240**

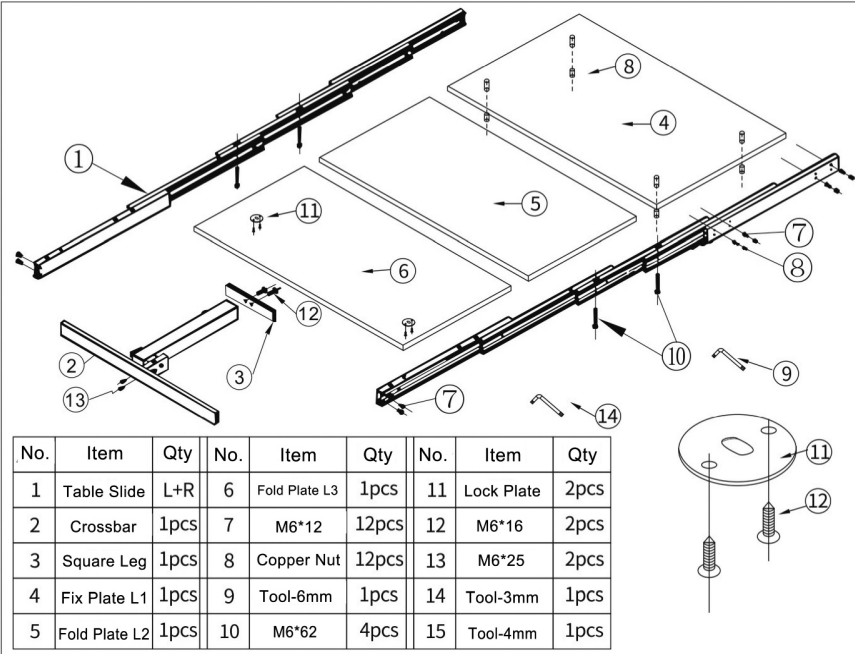


Description

1. Extended to be a 2m long dining table, which is enough for a family or 4~6 persons to use.
2. Made of aluminum alloy with steel plates
3. Wide usage: can be used on desk, cabinet and dining table
4. Extended smoothly and quietly
5. Easy installation
6. Load capacity: 70kg



Details



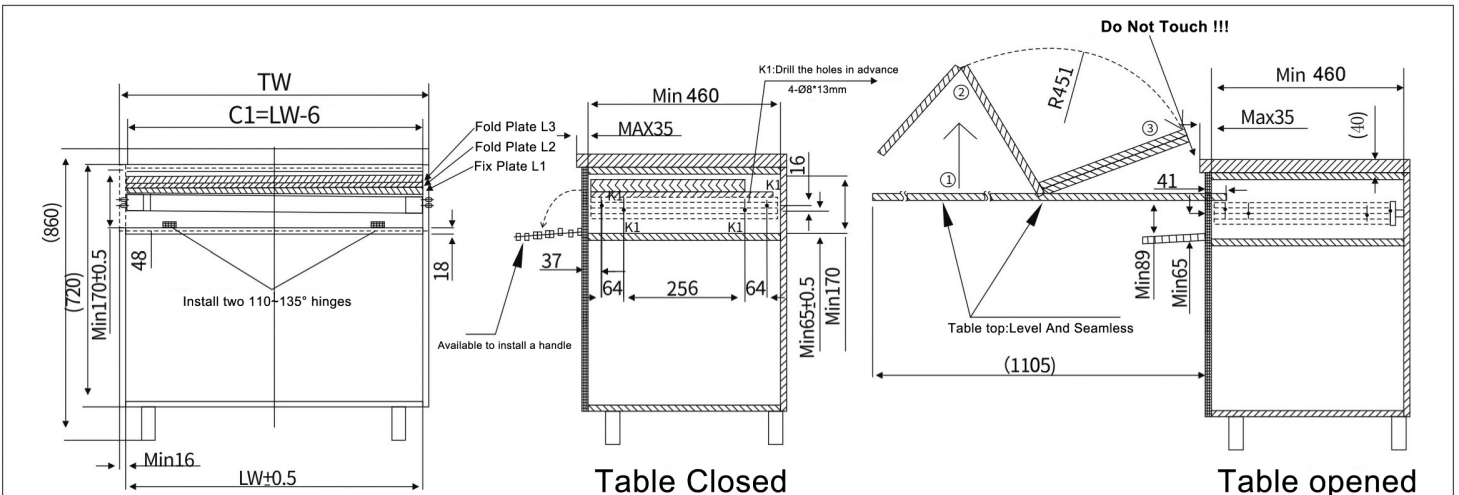
No.	Item	Qty	No.	Item	Qty	No.	Item	Qty
1	Table Slide	L+R	6	Fold Plate L3	1pcs	11	Lock Plate	2pcs
2	Crossbar	1pcs	7	M6*12	12pcs	12	M6*16	2pcs
3	Square Leg	1pcs	8	Copper Nut	12pcs	13	M6*25	2pcs
4	Fix Plate L1	1pcs	9	Tool-6mm	1pcs	14	Tool-3mm	1pcs
5	Fold Plate L2	1pcs	10	M6*62	4pcs	15	Tool-4mm	1pcs

<p>Tool Kit</p>	Ref.: F19240
	Material: Aluminum Alloy
	Size: 440 mm
	Qty: 1set
	Package: 1set/ctn

<p>L=LW-164</p>	Item: Crossbar
	Material: Aluminum Alloy
	Size: L=LW-164 (customized available)
	Qty: 1set
	Package: 1set/ctn

<p>L=150</p>	Item: Square Leg
	Material: Aluminum Alloy
	Size: L=150
	Qty: 1set
	Package: 1set/ctn

Table Details(mm)



TW=Cabinet Outer Width
 LW=Cabinet Inner Width
 C1=Fold Plate Width=LW-6

Installation Details

Plate Size

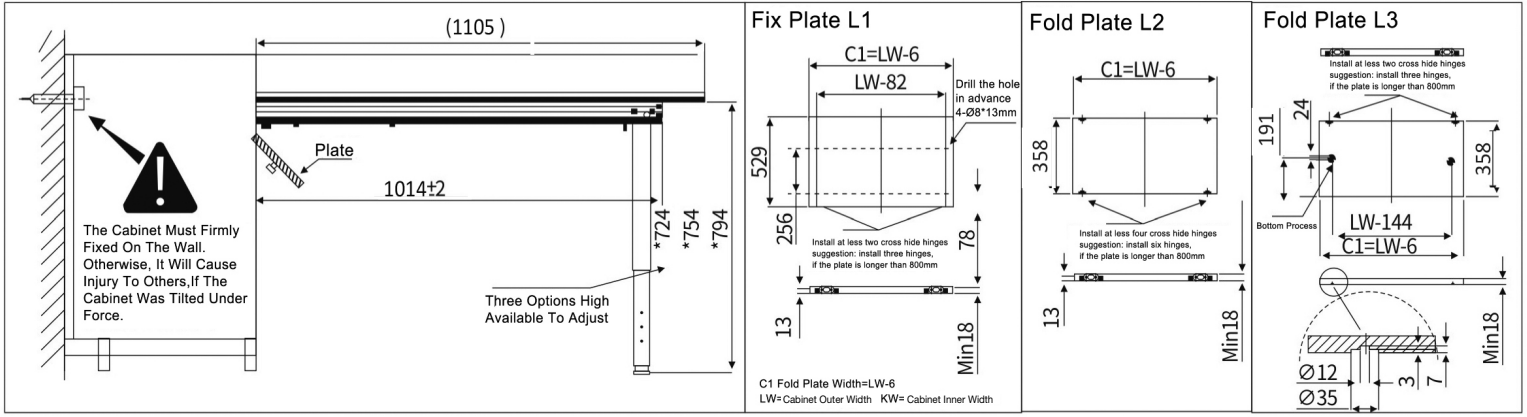


Table Mechanism Installation Details

