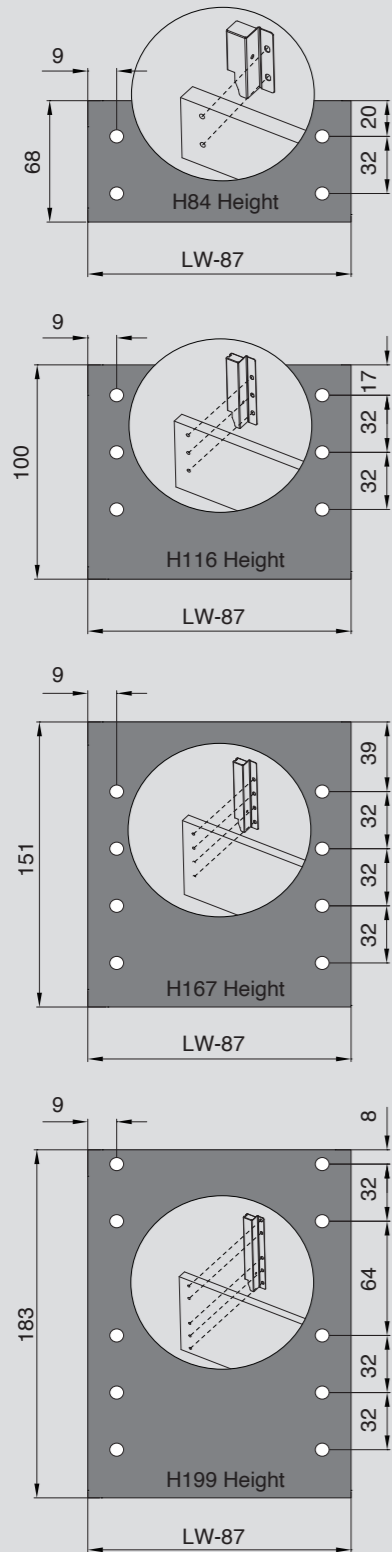


Installation instruction for H BOX drawers

Installation dimensions-Back panel



Cutting dimensions - Back panel

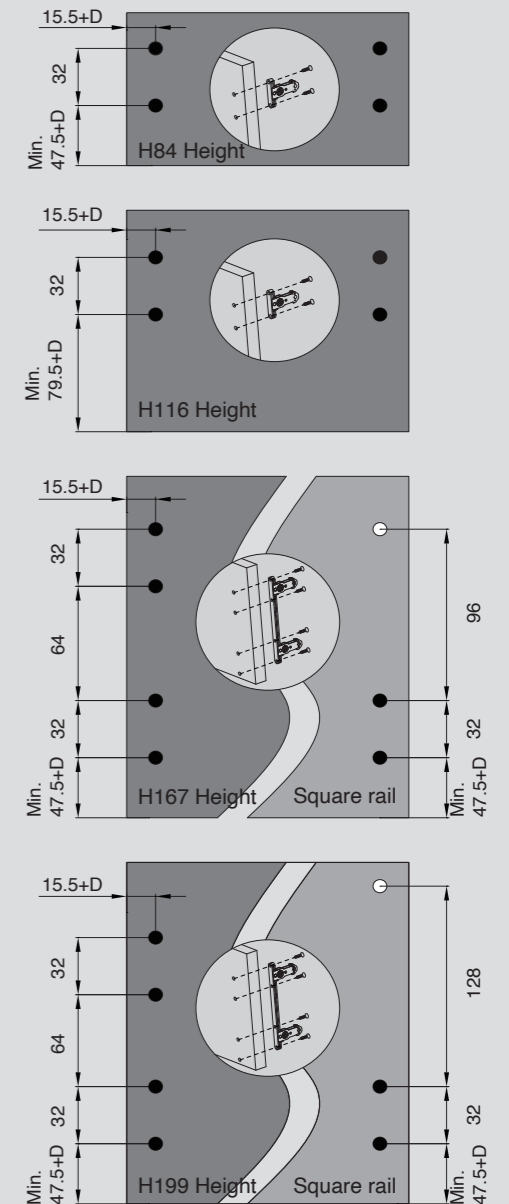
- 16mm-thickness wooden panel
- Width = LW-87mm
- Height: As shown above

Product specification

- * The H13 series are applicable to all wooden materials, including solid wood, particle board, MDF and etc;
- * The loading capacity is 40kgs

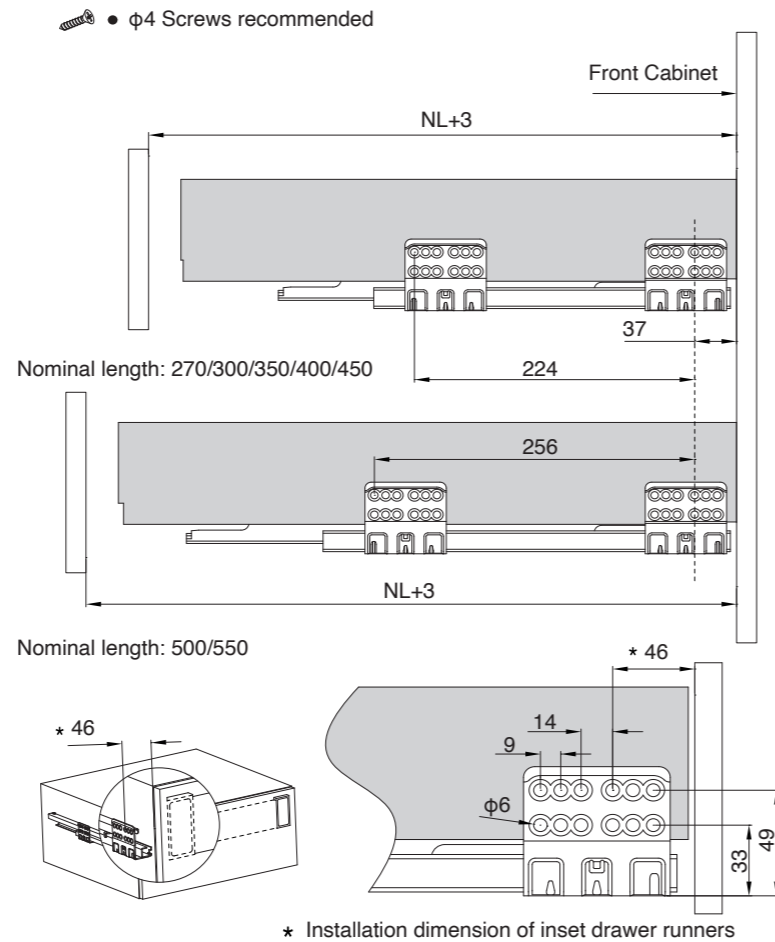
- * There is an end stop when the drawers are fully extended;
- * Front panel dimension: Max height 400mm, Max width 900mm;
- * The corrosion test has been carried out 3 AHT acc. to EN ISO 6270-2

Hole dimensions



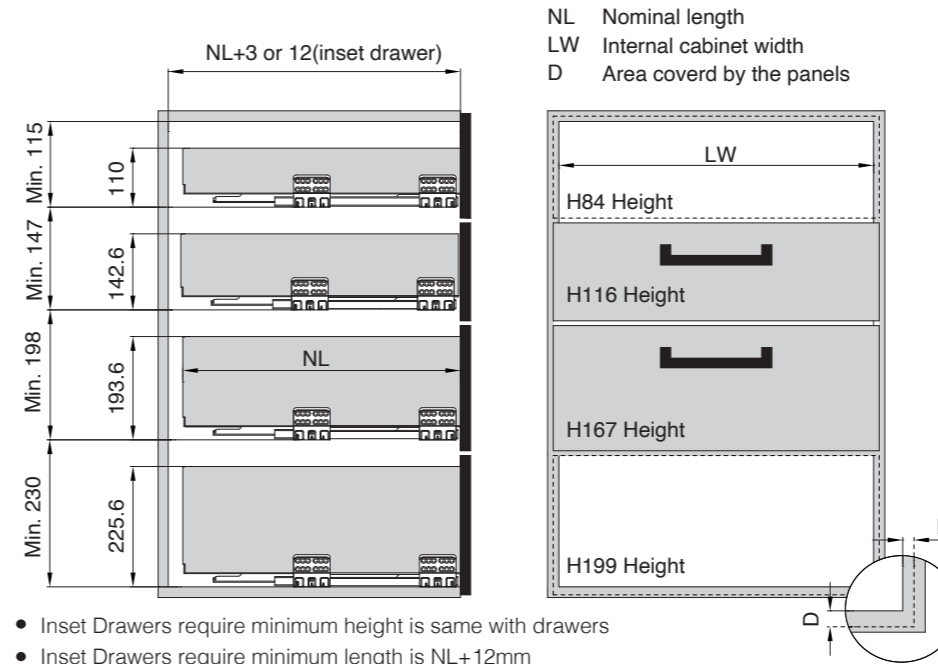
- Front bracket
- Square rail

Installation dimensions-Drawer runners



* Installation dimension of inset drawer runners

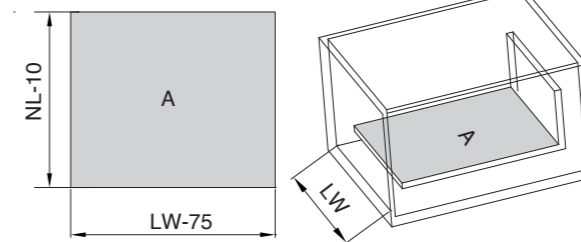
Cabinet space requirement



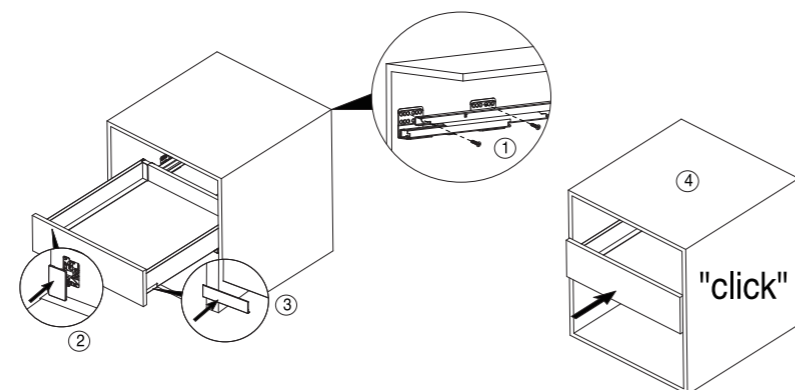
- Inset Drawers require minimum height is same with drawers
- Inset Drawers require minimum length is NL+12mm

Cutting dimensions - Bottom panel

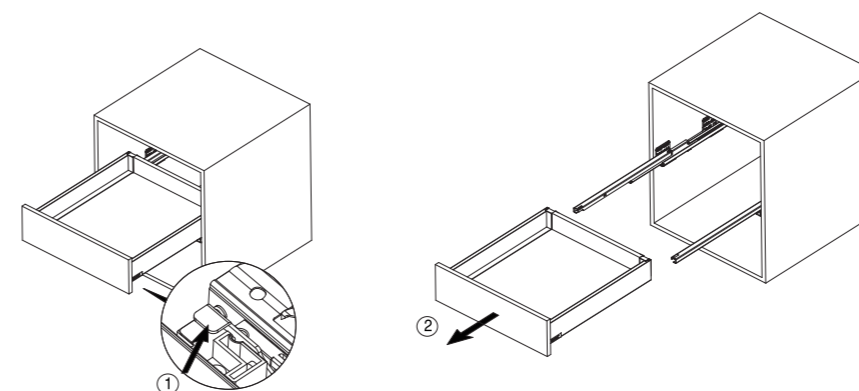
- 16mm-thickness wooden panel
- Width = LW - 75mm
- Length = NL - 10mm



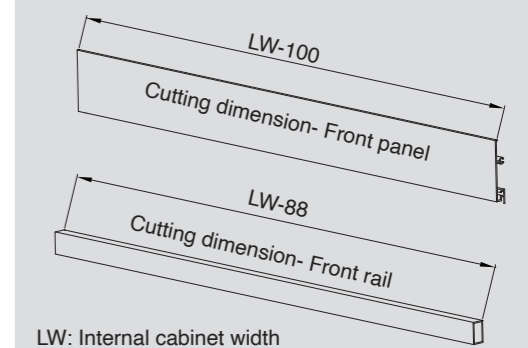
Drawer installation



Drawer remove



Cutting dimensions for accessories

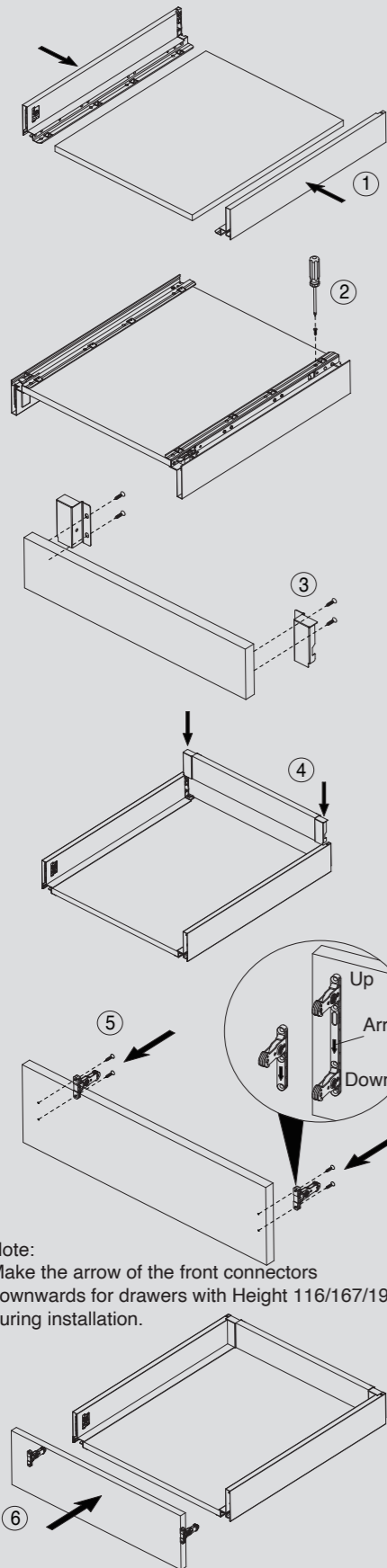


LW: Internal cabinet width

Installation instruction for H BOX drawers

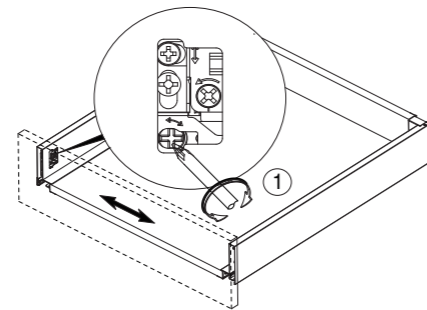
CEMUX

Drawer installation

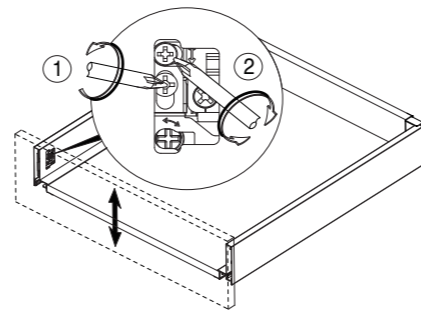


• Note:
Make the arrow of the front connectors downwards for drawers with Height 116/167/199 during installation.

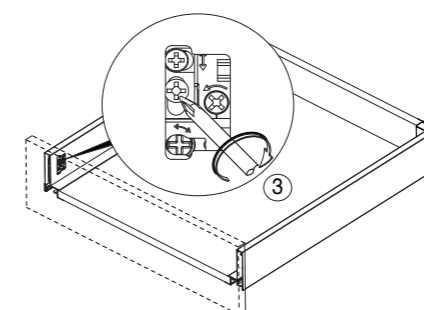
Adjustment



- ± 1.5 mm Rightward/Leftward Adjustments
- Use the corresponding adjustment screws during operation



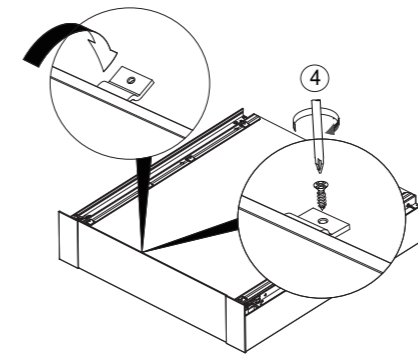
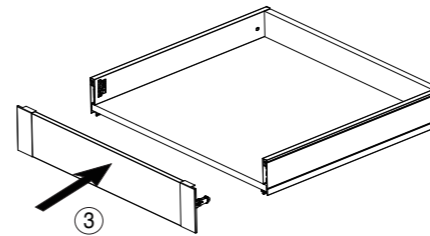
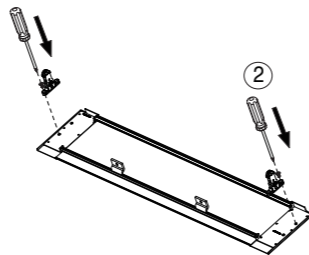
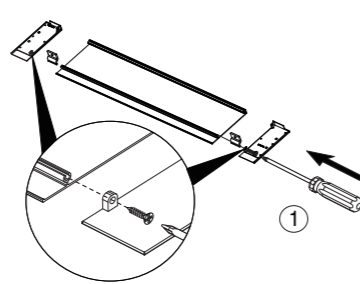
- ± 2 mm Upward/Downward Adjustments
- Unlock the screws before the operation.



- Lock
- Lock the screws after adjustments.

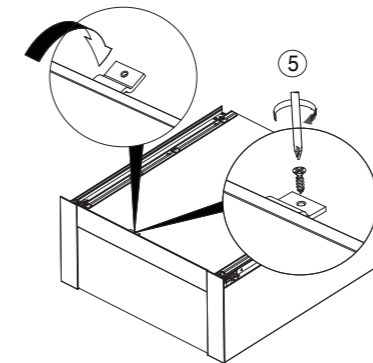
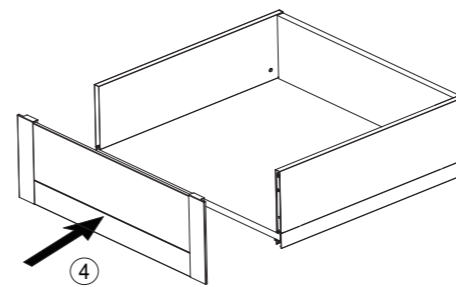
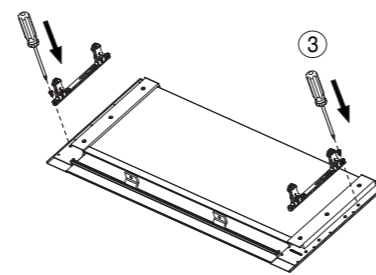
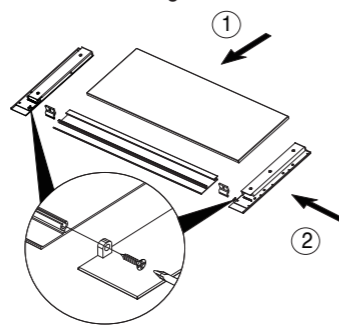
Installation of the front panel for low inset drawers

- H84 Height



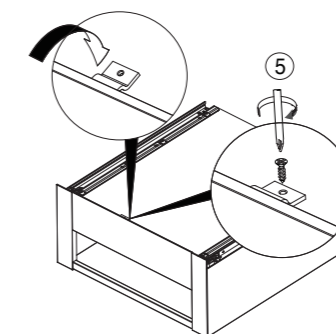
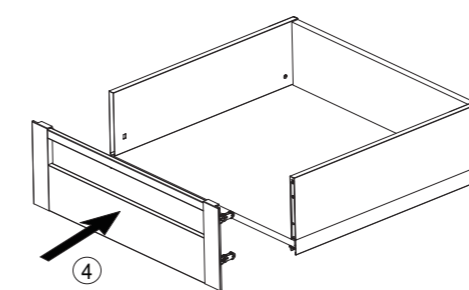
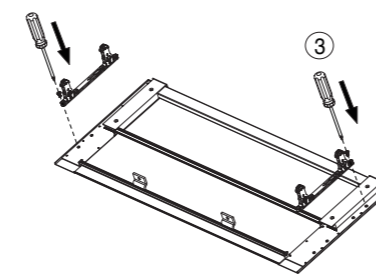
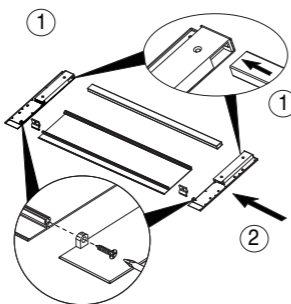
Installation of the front panel with heighten panel for H167 & H199 inset drawers

- H167 & H199 Height

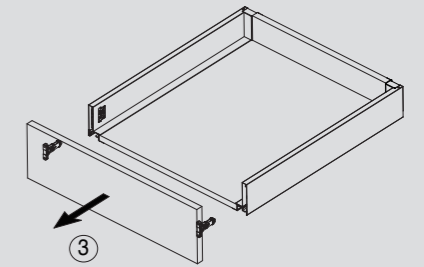
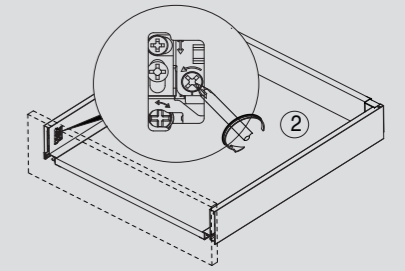
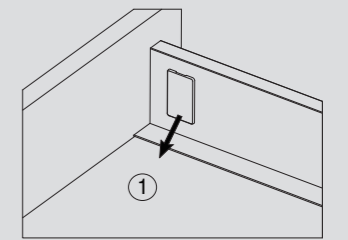


Installation of the front panel with front rail for H167 & H199 inset drawers

- H167 & H199 Height



Remove panel



Installation of square rails

