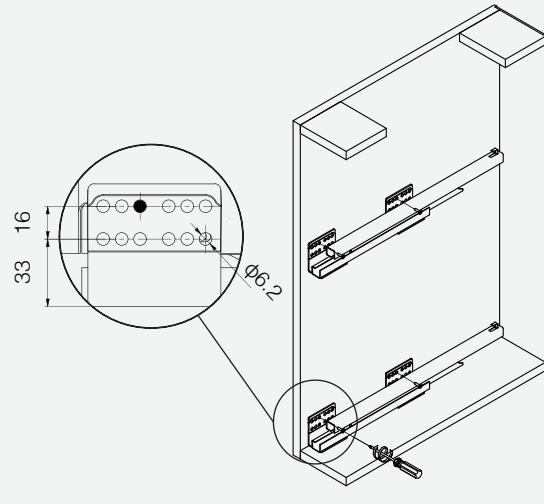
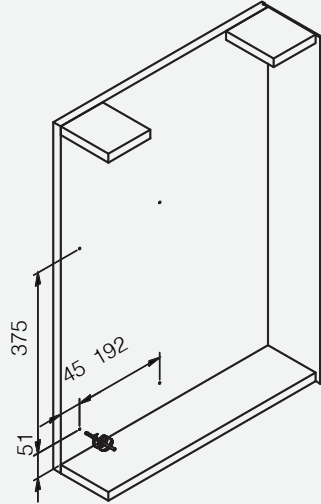




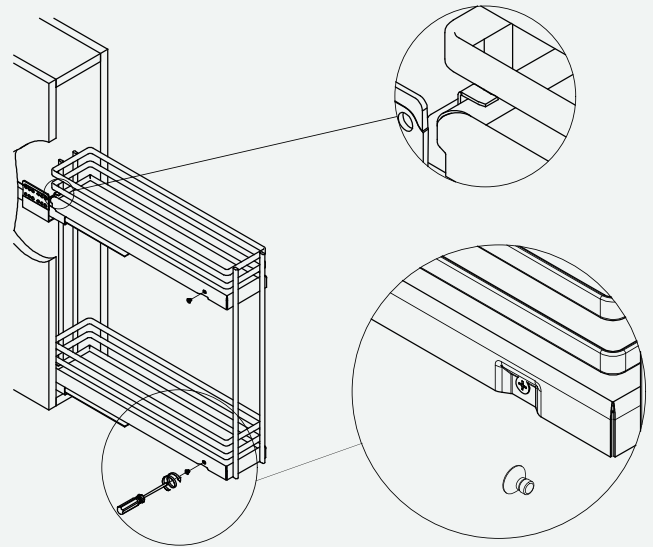
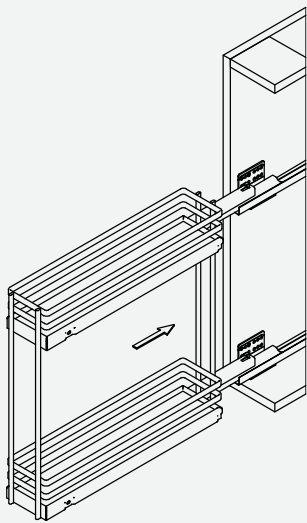
X16

X2

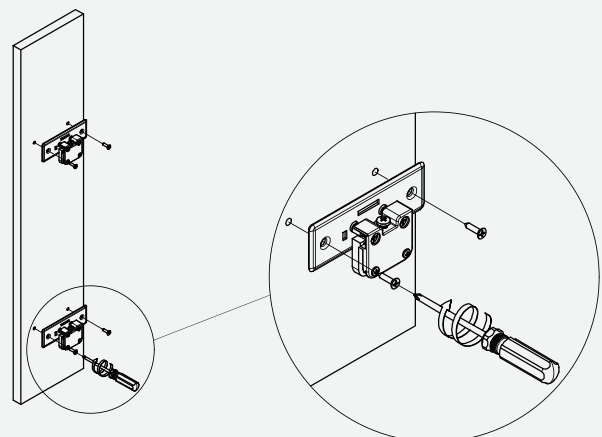
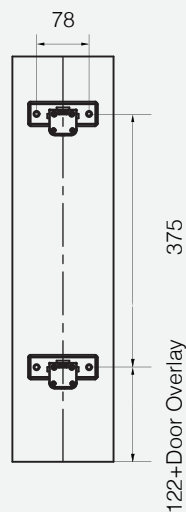
1. Slide assembly



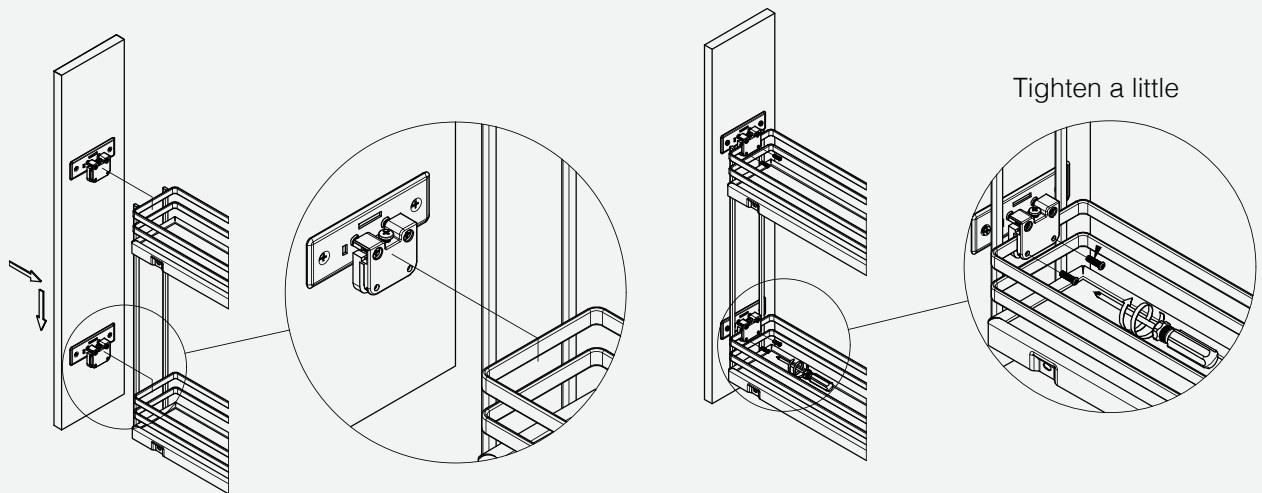
2. Basket assembly



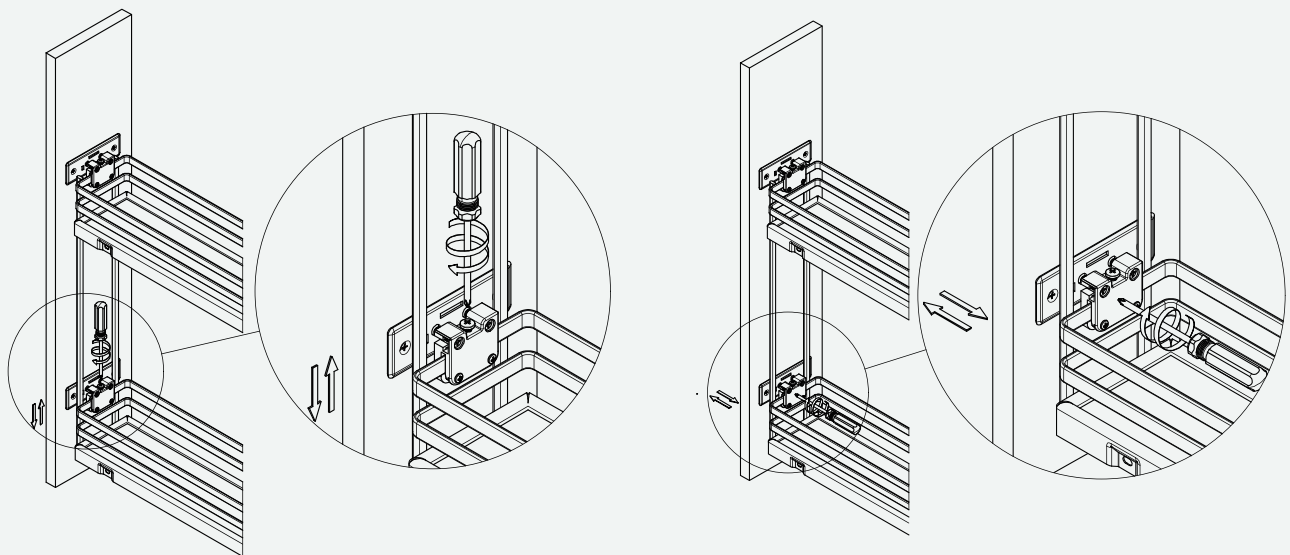
3. Door bracket



4. Door assembly



5. Adjustment



6. Finish

