

opk SUBMARINE S



max. 1200mm



max. 1500mm



15-30mm



± 2mm



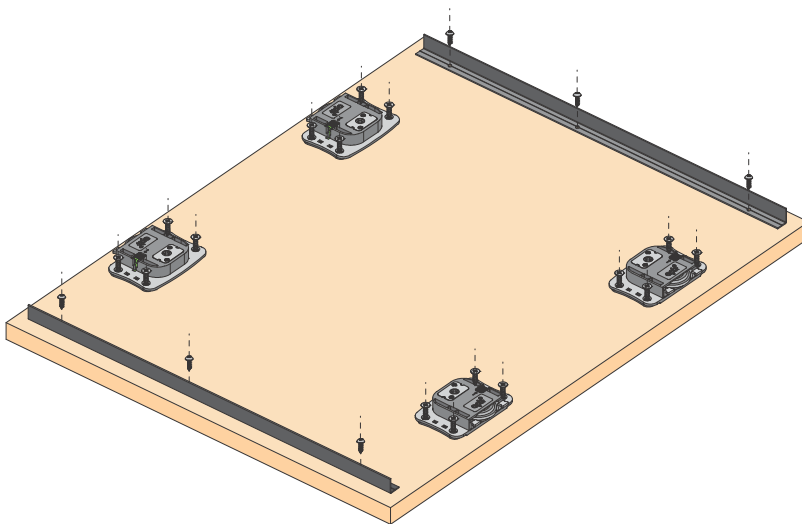
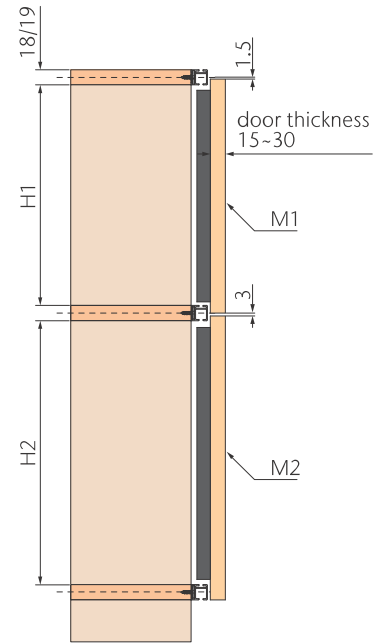
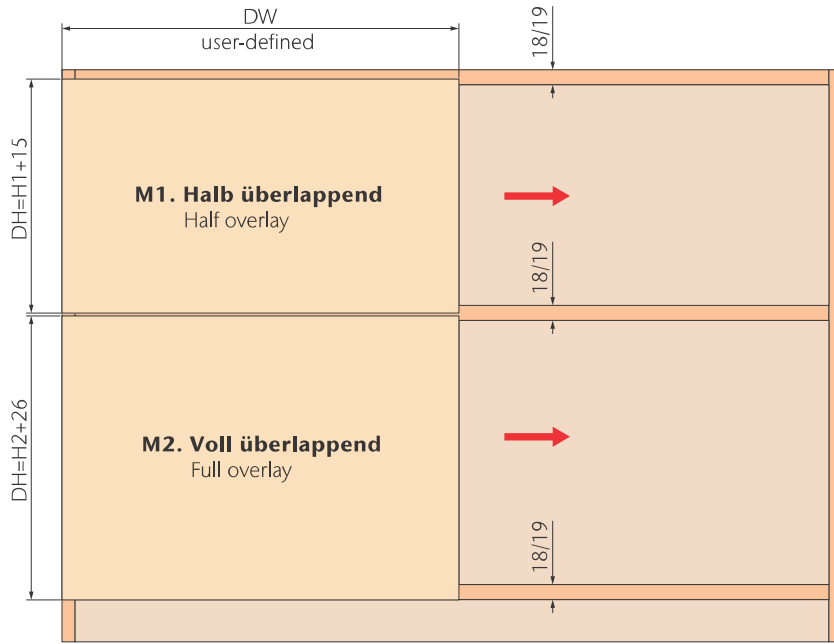
Möbel Systeme
Furniture systems

opk Submarine S

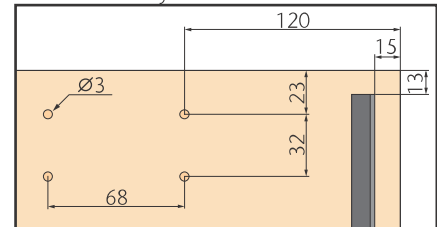


Technische Zeichnung Technical drawing

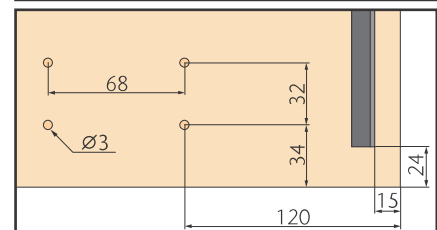
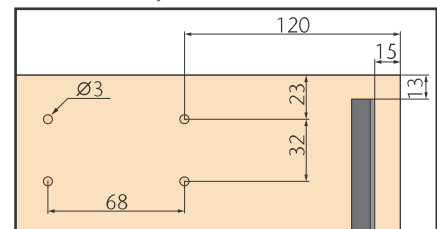
Regalboden 18/19mm Cabinet Panel 18/19mm



M1. Halb überlappend Half overlay



M2. Voll überlappend Full overlay



opk Submarine S



18/19mm Regalboden
18/19mm Cabinet Panel



Art.-Nr./No.

		≤15	500-1500	≤1200	01-451-002-400
		≤30			01-451-002-430

Konfiguration für 1 Tür

Configuration for 1 door



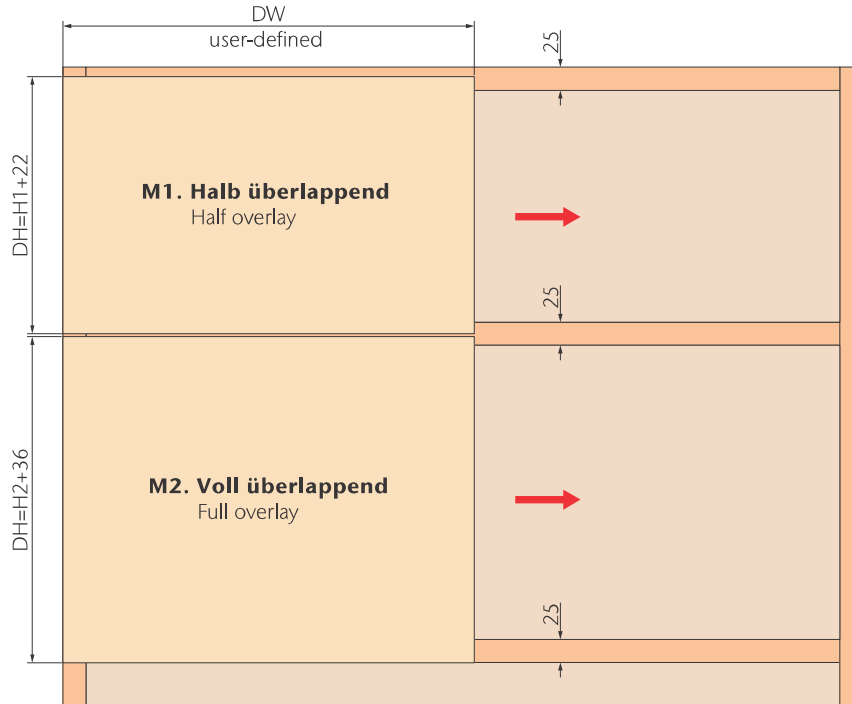
Laufwerk/Führung <i>Running/Guiding part</i>		4
Dämpfer <i>Damper</i>		2
Distanzhalter <i>Distance holder</i>		8
Stopper 18mm <i>Stopper 18mm</i>		4
Schienenbefestigungsplatte 18mm <i>Track connection 18mm</i>		16
Schienenabdeckungskappe 18mm <i>Track plug 18mm</i>		4
Bohrmuster 18mm <i>Drilling pattern 18mm</i>		1
ST4.2x16 Senkkopfschraube mit Kreuzschlitz <i>ST4.2x16 Cross recess countersunk head self-drilling screw</i>		64
sw 2mm Innensechskant <i>sw 2mm hex key</i>		1

opk Submarine S



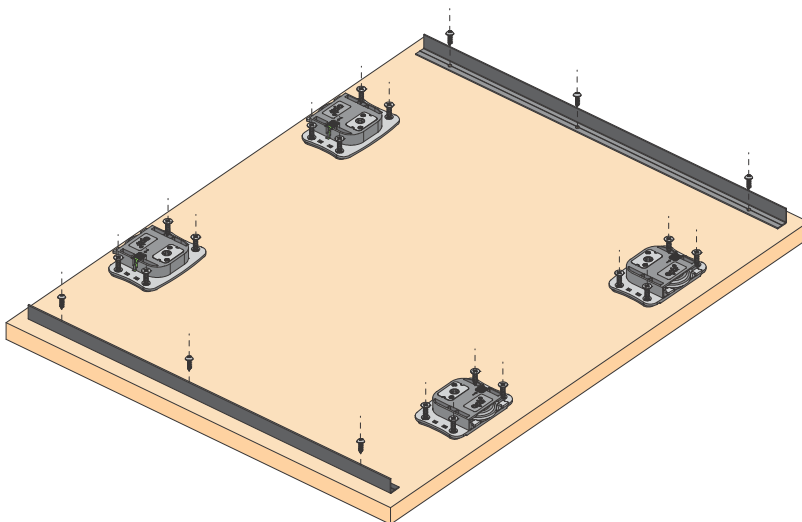
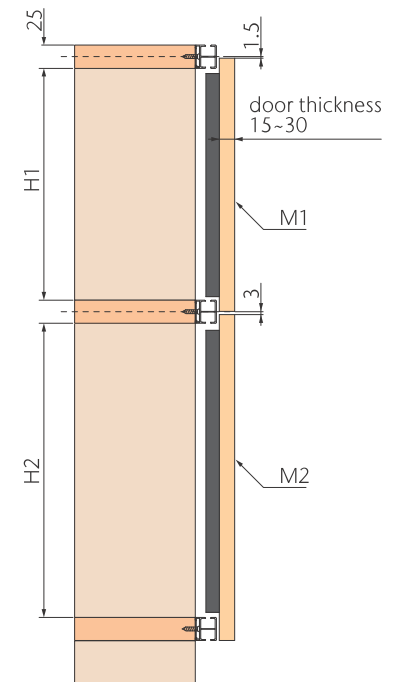
Technische Zeichnung

Technical drawing



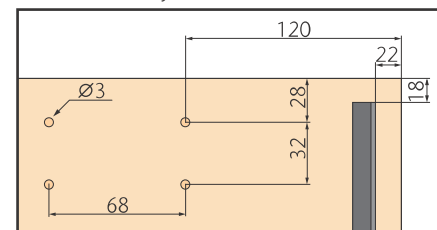
Regalboden 25mm

Cabinet Panel 25mm



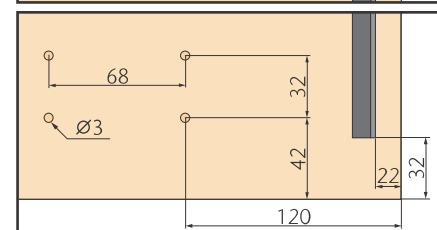
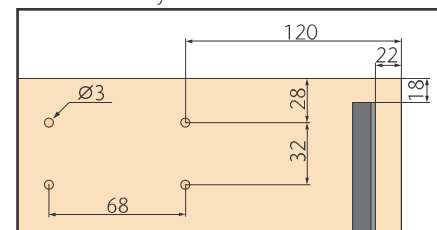
M1. Halb überlappend

Half overlay



M2. Voll überlappend

Full overlay



opk Submarine S



25mm Regalboden
25mm Cabinet Panel



Art.-Nr./No.

		≤15	500~1500	≤1200	01-451-002-500
		≤30			01-451-002-530

Konfiguration für 1 Tür

Configuration for 1 door



Laufwerk/Führung <i>Running/Guiding part</i>		4
Dämpfer <i>Damper</i>		2
Distanzhalter <i>Distance holder</i>		8
Stopper 25mm <i>Stopper 25mm</i>		4
Schienenbefestigungsplatte 25mm <i>Track connection 25mm</i>		16
Schienenabdeckungskappe 25mm <i>Track plug 25mm</i>		4
Bohrmuster 25mm <i>Drilling pattern 25mm</i>		1
ST4.2x16 Senkkopfschraube mit Kreuzschlitz <i>ST4.2x16 Cross recess countersunk head self-drilling screw</i>		64
sw 2mm Innensechskant <i>sw 2mm hex key</i>		1

opk Submarine S



Schienen, Zubehör

Tracks, Accessories

Produktbeschreibung <i>Description</i>		Material <i>Material</i>	Farbe <i>Finish</i>	Länge <i>Length (mm)</i>	Art.-Nr./No.
Laufschiene 18/19mm Regalboden <i>Running track 18/19mm Cabinet Panel</i>		Aluminium eloxiert <i>Anodized aluminium</i>	Silber <i>Silver</i>	2500	01-456-250-425
				3500	01-456-250-435
				5800	01-456-250-458
Laufschiene 25mm Regalboden <i>Running track 25mm Cabinet Panel</i>		Aluminium eloxiert <i>Anodized aluminium</i>	Silber <i>Silver</i>	2500	01-456-250-525
				3500	01-456-250-535
				5800	01-456-250-558
Blende <i>Decorative profile</i>		Aluminium eloxiert <i>Anodized aluminium</i>	Silber <i>Silver</i>	2500	01-458-250-025