



HAILO AS Allegro 220 14/14

3301611

GTIN: 4007126306180

For cabinets with pull-out shelf from 600 mm width



INSET



2 BUCKET

28 L

TOTAL

Suitable for cabinet width (cm)

60

System consists of:

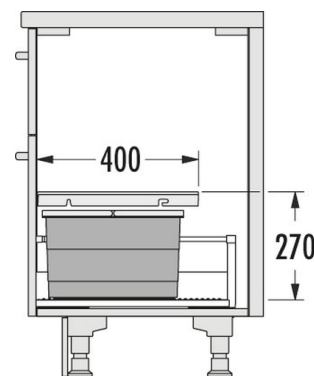
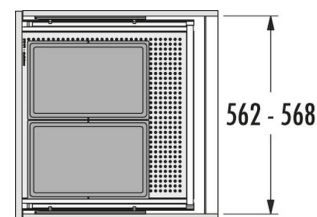
- 2 inner bins (2x 14 l; bin height 220 mm)
- Removable system lid with practical storage option
- Allegro insert mat

The HAILO Allegro system is a flexible drawer solution for use in kitchen cabinets.

Thanks to its dimpled structure and anti-slip coating, the Allegro insert mat provides a stable and secure hold for the inner bins.

The studs on the top of the mat hold the bins in place, while the anti-slip coating on the underside of the Allegro mat prevents slipping.

The flexible system also makes cleaning easy.



Specifications

| | |
|---------------------------------|----|
| Type of installation Inset | ✓ |
| Cabinet-width min. (cm) | 60 |
| Cabinet-width max. (cm) | 60 |
| Suitable for cabinet width (cm) | 60 |

PRODUCT SPECIFICATION SHEET



| | |
|--------------------------------------|---|
| Nominal drawer-depth (mm) ≥ | 500 |
| Installation inside available drawer | ✓ |
| Product dimensions (WxDxH) (mm) | 476 x 473 x 270 |
| Packing dimensions (WxDxH) (mm) | 575 x 510 x 280 |
| Number of bins | 2 |
| Lid | Plastic-lid single extension, sidewall-mounted |
| Capacity (l) | 2 x 14 |
| Total volume (l) | 28 |
| Color plastic parts | dark grey |
| Weight incl. packing (kg) | 3,5 |