



## HAILO AS Cargo Aqua 600 28

**3608611**

GTIN: 4007126370426

For front-mount-door cabinets of 600 mm width



SLIDE



1 BUCKET

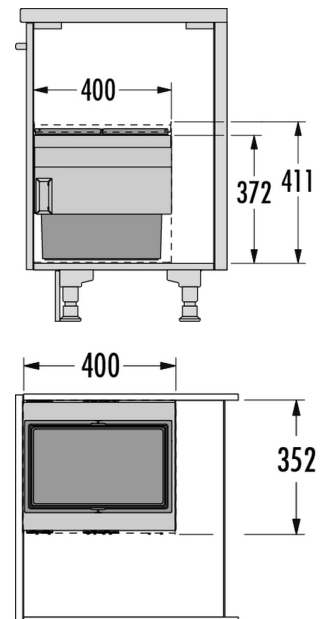
Suitable for cabinet width (cm)  
60

- Can be used on the right and left in the cabinet
- Space for water purifier: 210 mm

Cargo Aqua, the waste separation system for sink base units with water purifier.

The HAILO Cargo Aqua is a waste separation system for front-mount-door cabinets in which a water purifier is to be integrated at the side. Thanks to the metal housing designed specifically for this purpose, the Cargo Aqua only requires one side of the base cabinet to connect the pull-out runner, while the stable sheet steel housing, free-standing in the room, serves as the opposite side for the second rail connection. This makes it possible to keep a space free at the side of the cabinet to accommodate, for example, water purifiers, water dispensers or similar items.

The waste separation system was designed for cabinet widths of 600 mm, 750 mm and 900 mm and can be installed on the left or right of the cabinet as required. Matching front connection fittings included.



### Specifications

Type of installation Slide



# PRODUCT SPECIFICATION SHEET

---



Cabinet-width min. (cm)	60
Cabinet-width max. (cm)	60
available Cabinet-depth min. (mm)	400
Suitable for cabinet width (cm)	60
Sidewall mounted	✓
Slides	covered, dampened slides with self-closing device with fully synchronized over-travel
Side-wall thickness (mm)	16-19
Product dimensions (WxDxH) (mm)	352 x 400 x 411
Packing dimensions (WxDxH) (mm)	475 x 395 x 450
System-depth (mm)	400
Number of bins	1
Capacity (l)	1 x 28
Color plastic parts	dark grey
Color metal parts	dark grey
Weight incl. packing (kg)	12,5