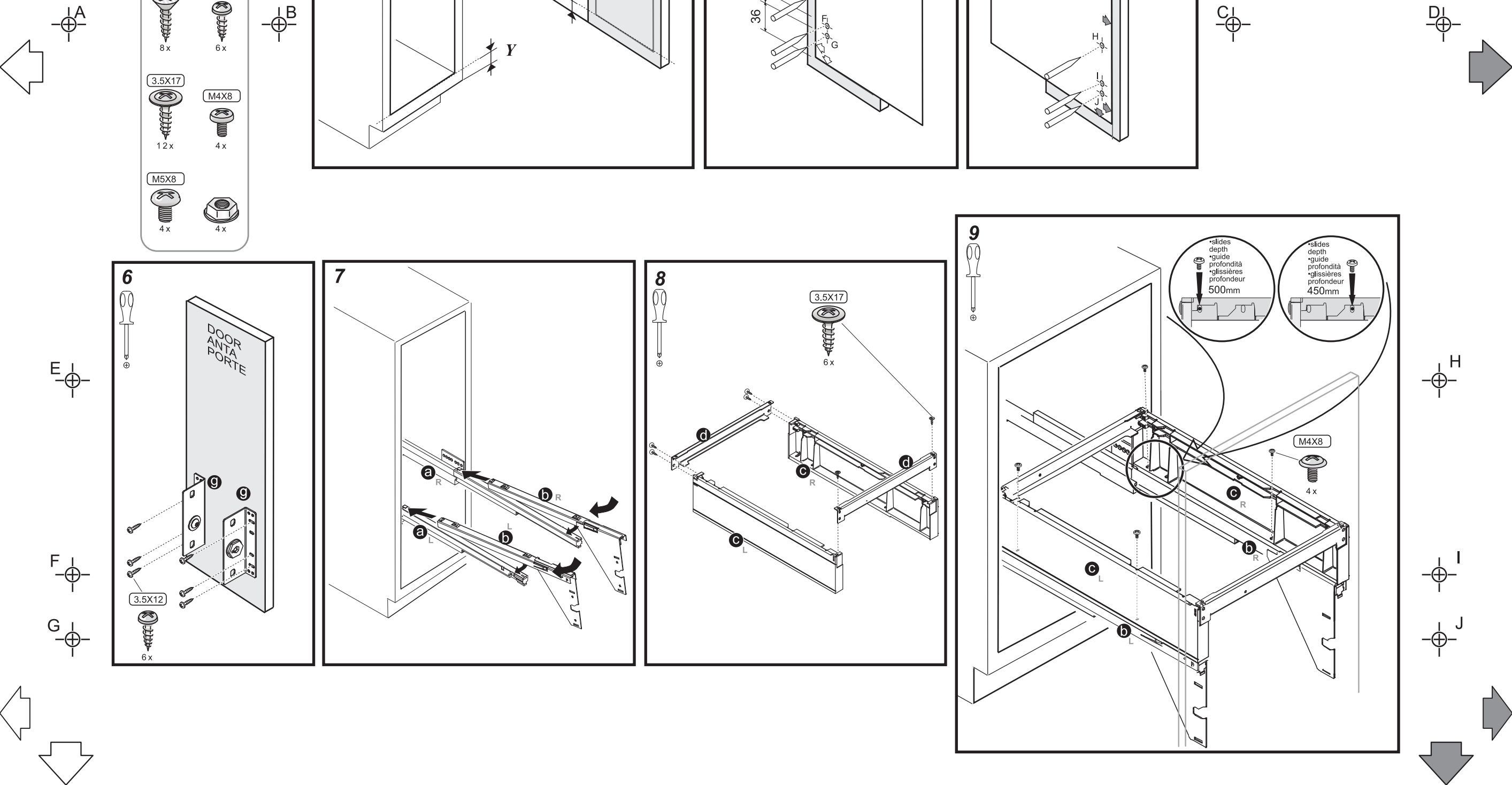
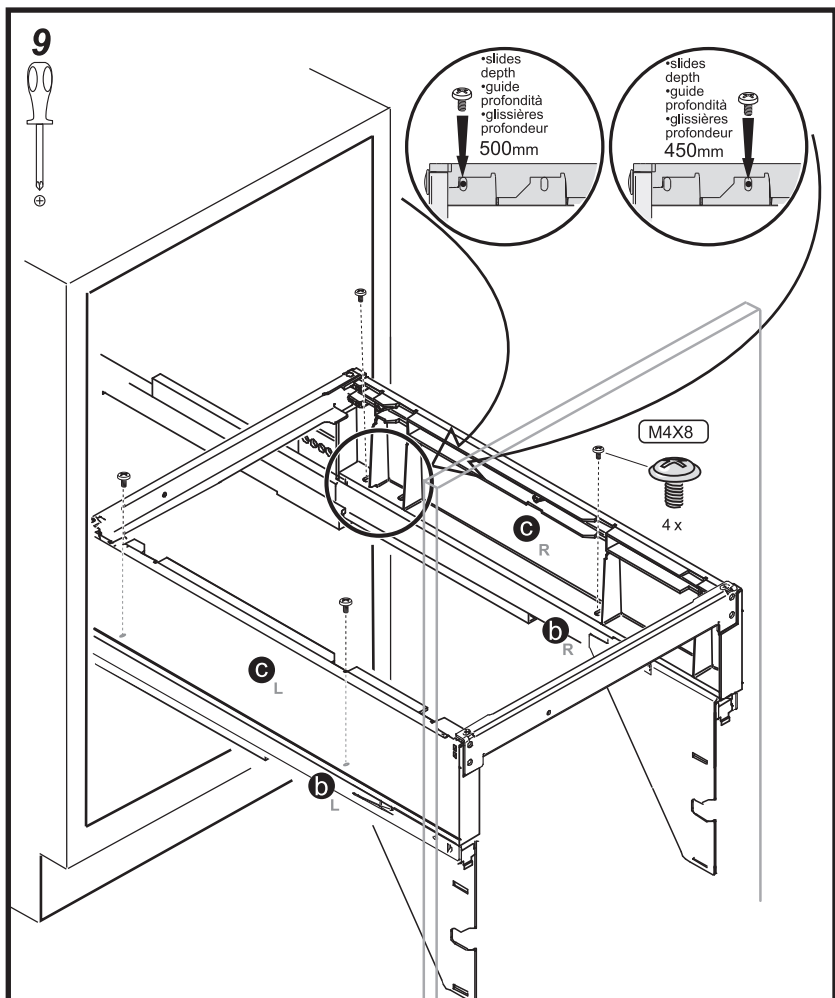
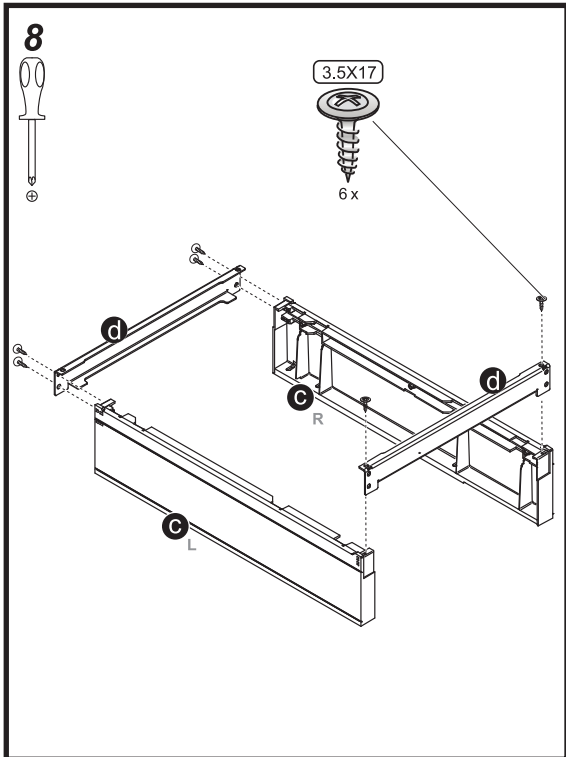
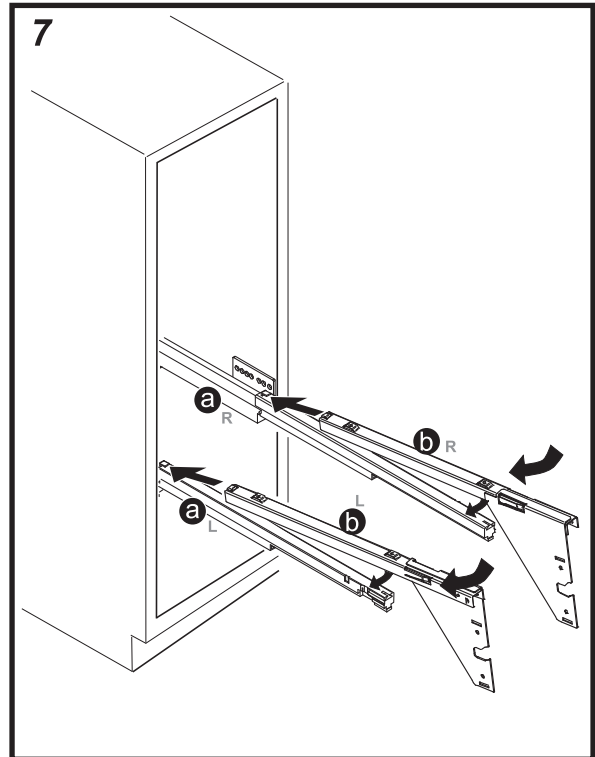
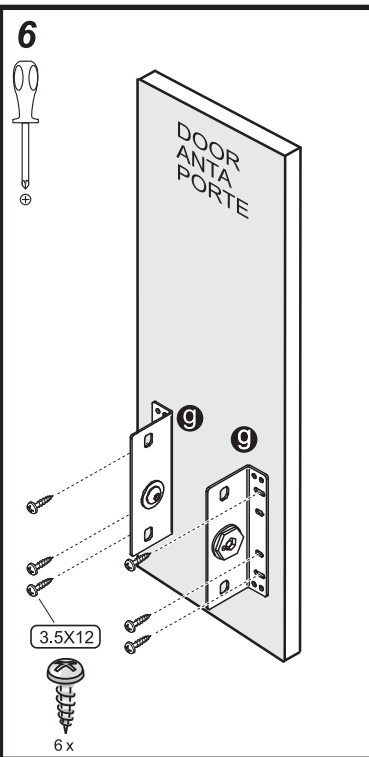
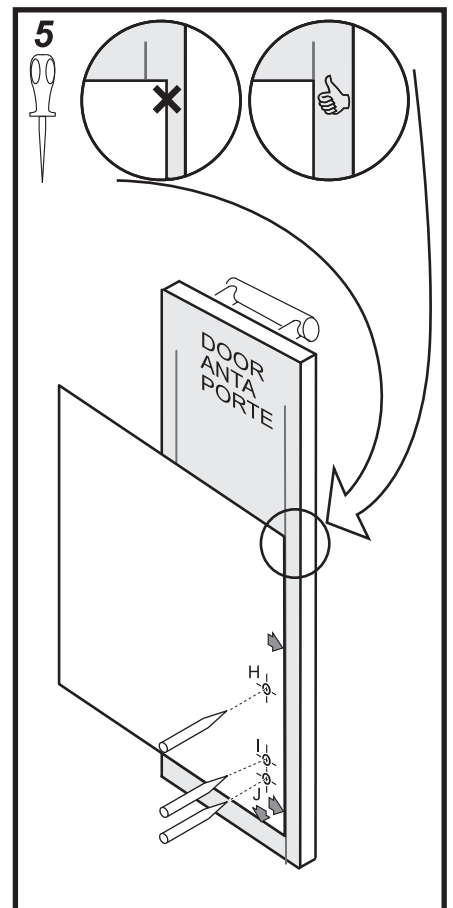
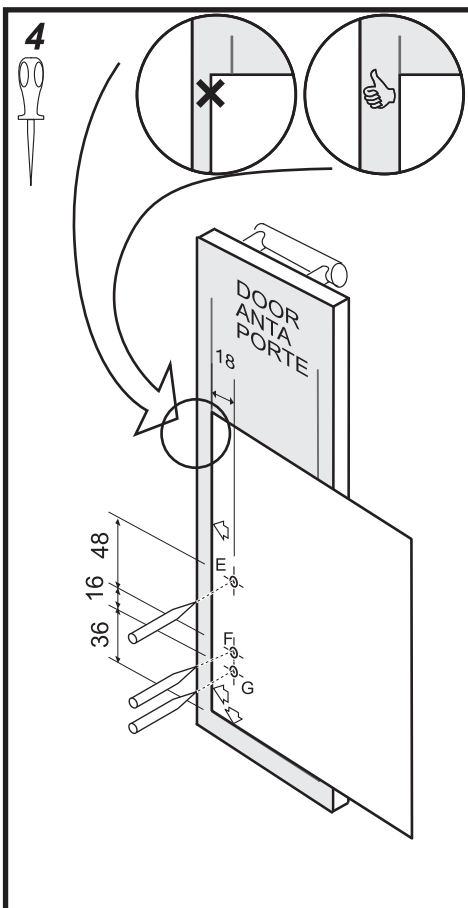
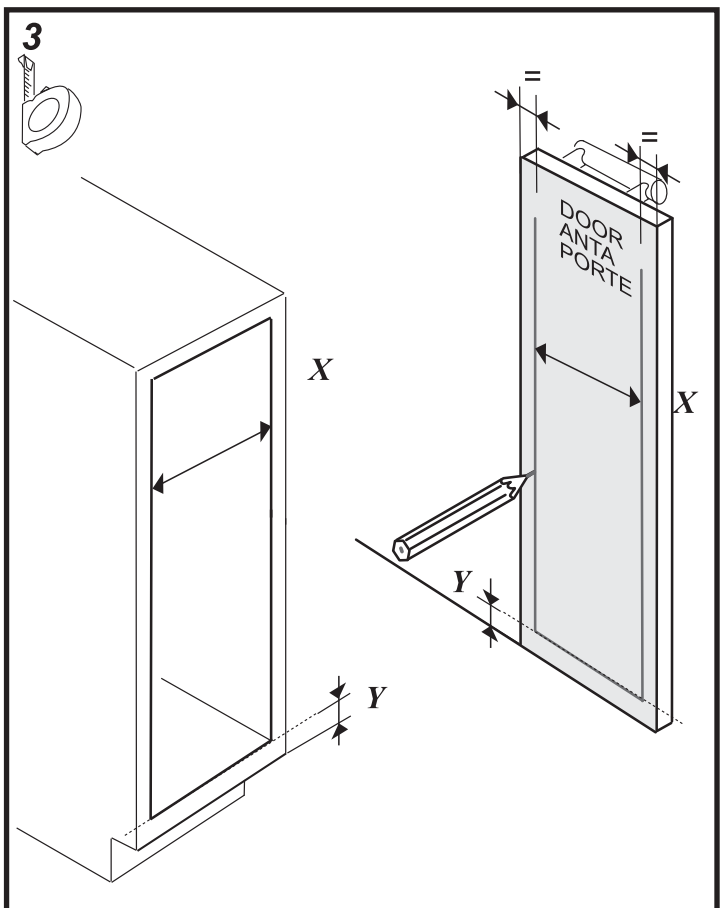
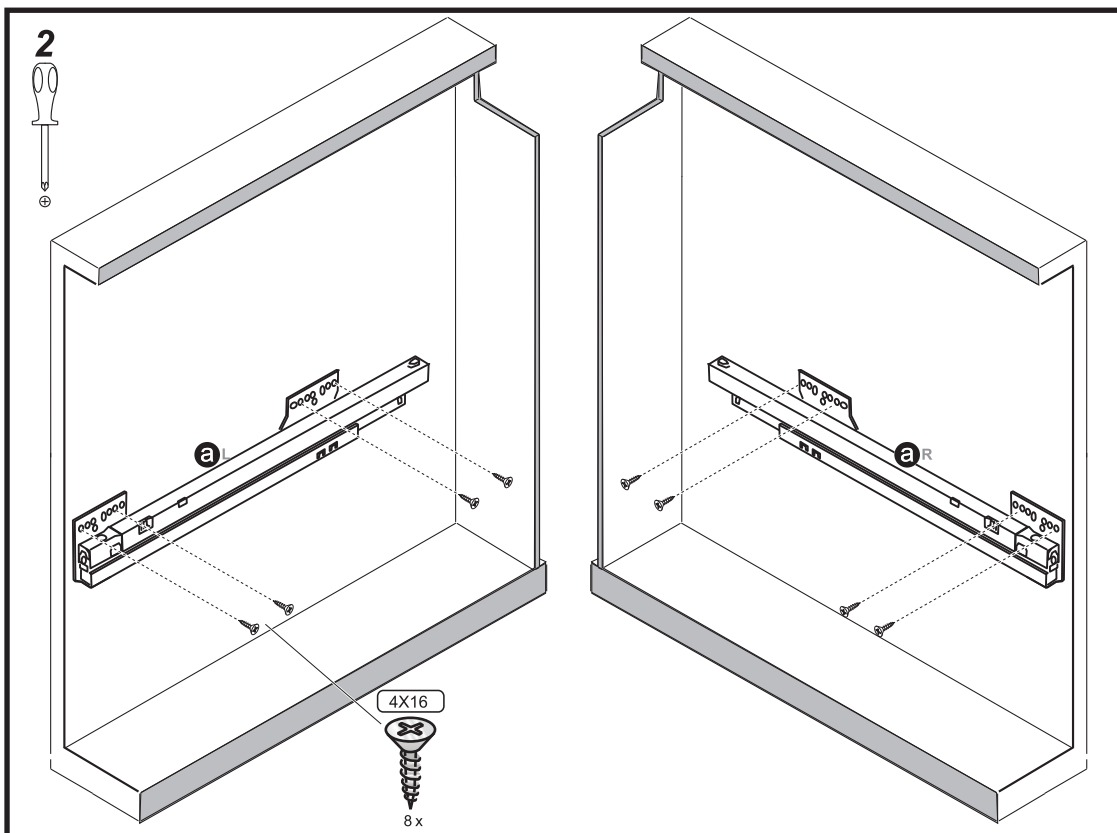
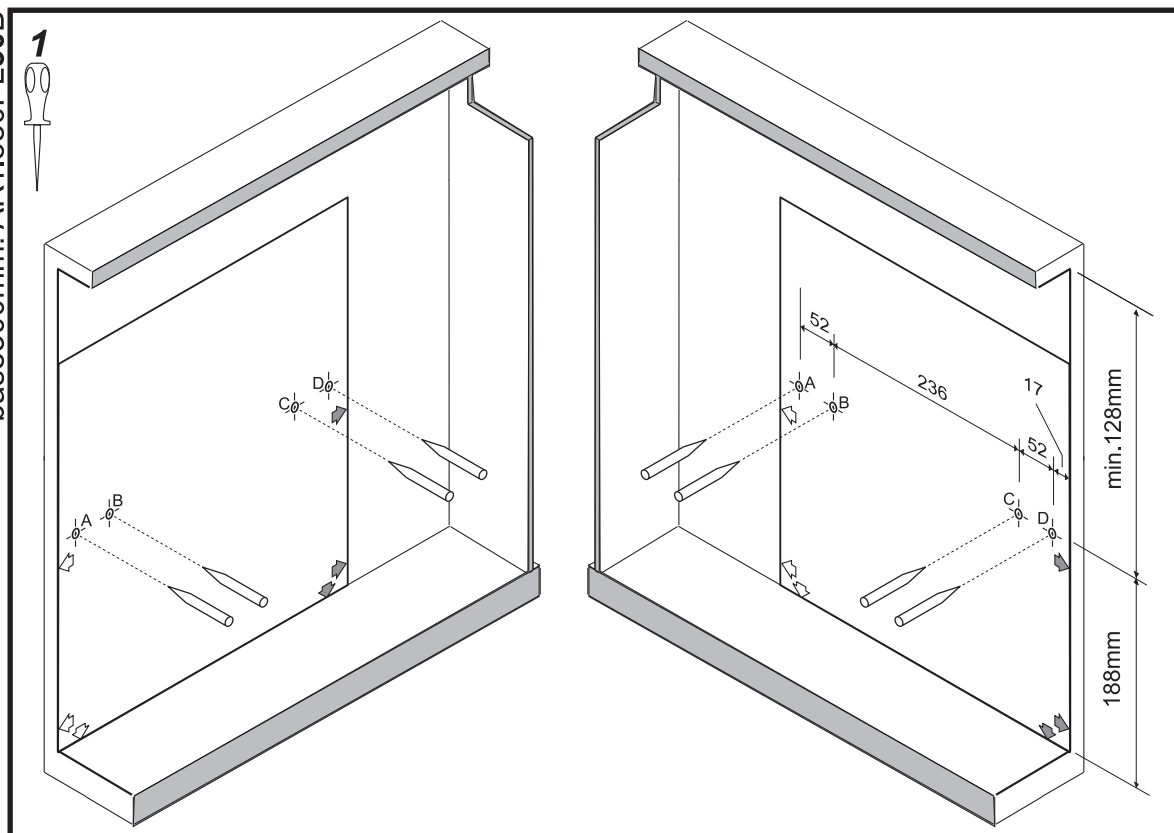
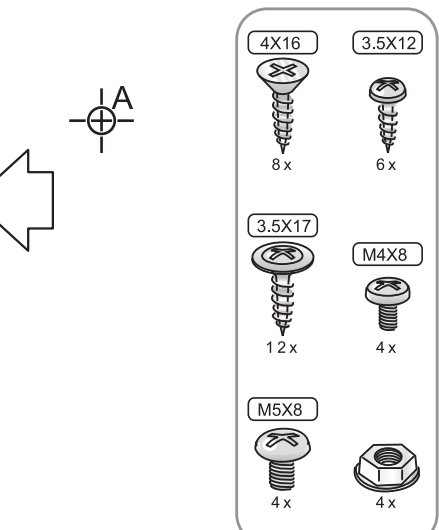
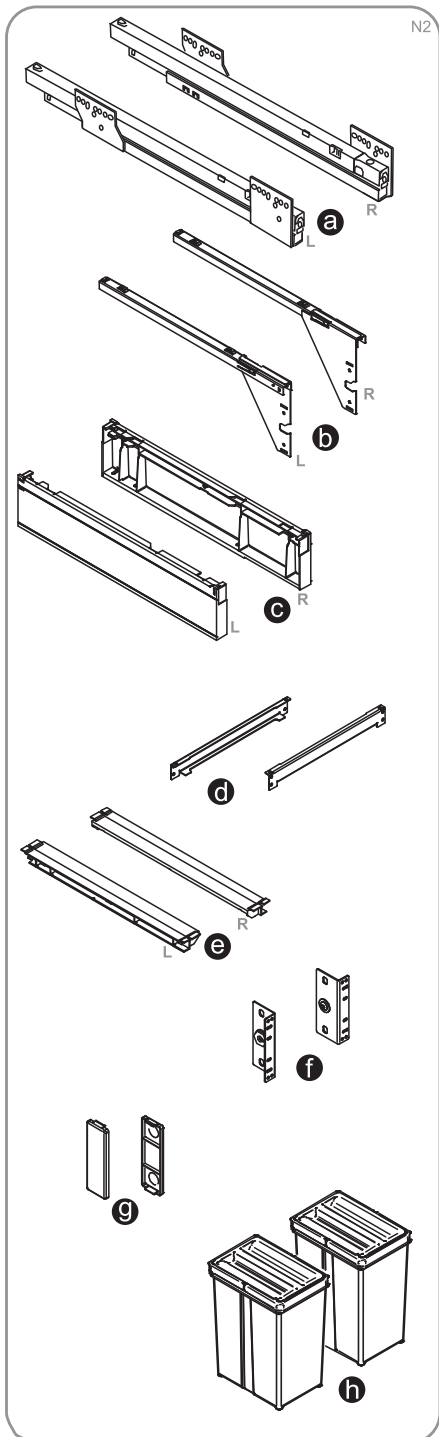
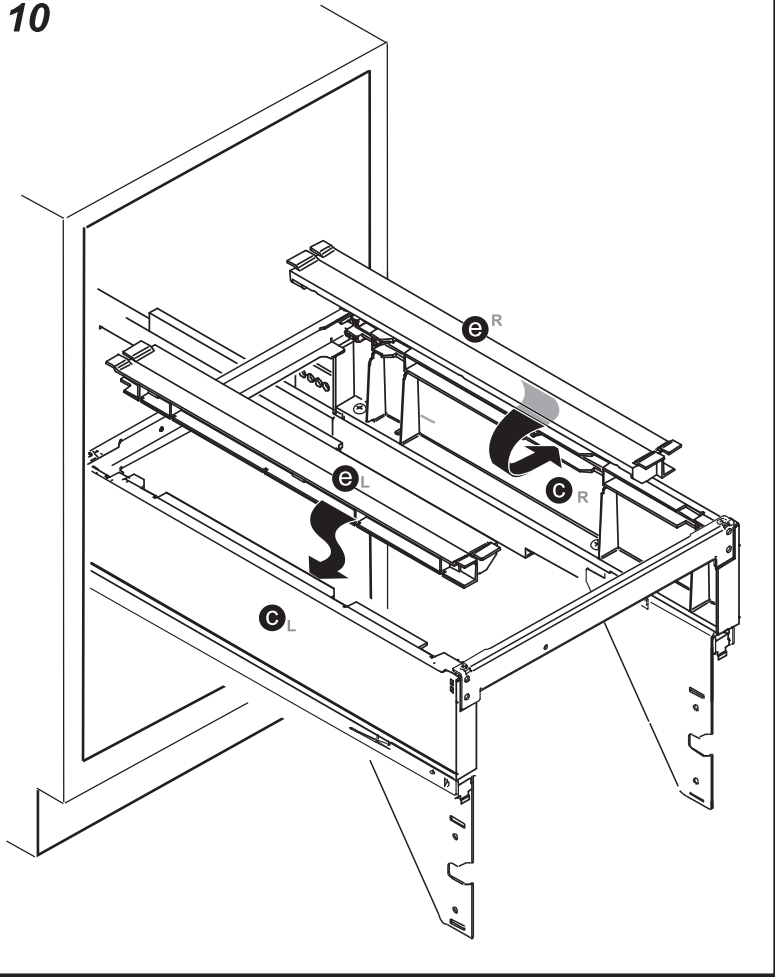


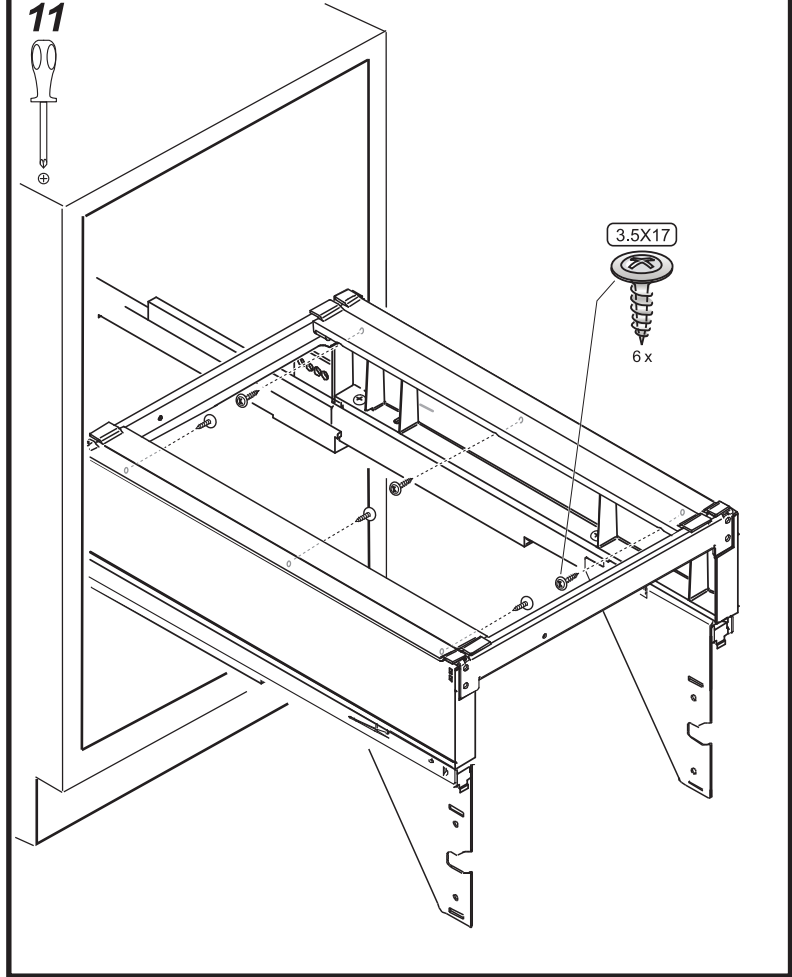
•base300mm: ART.580PL30B



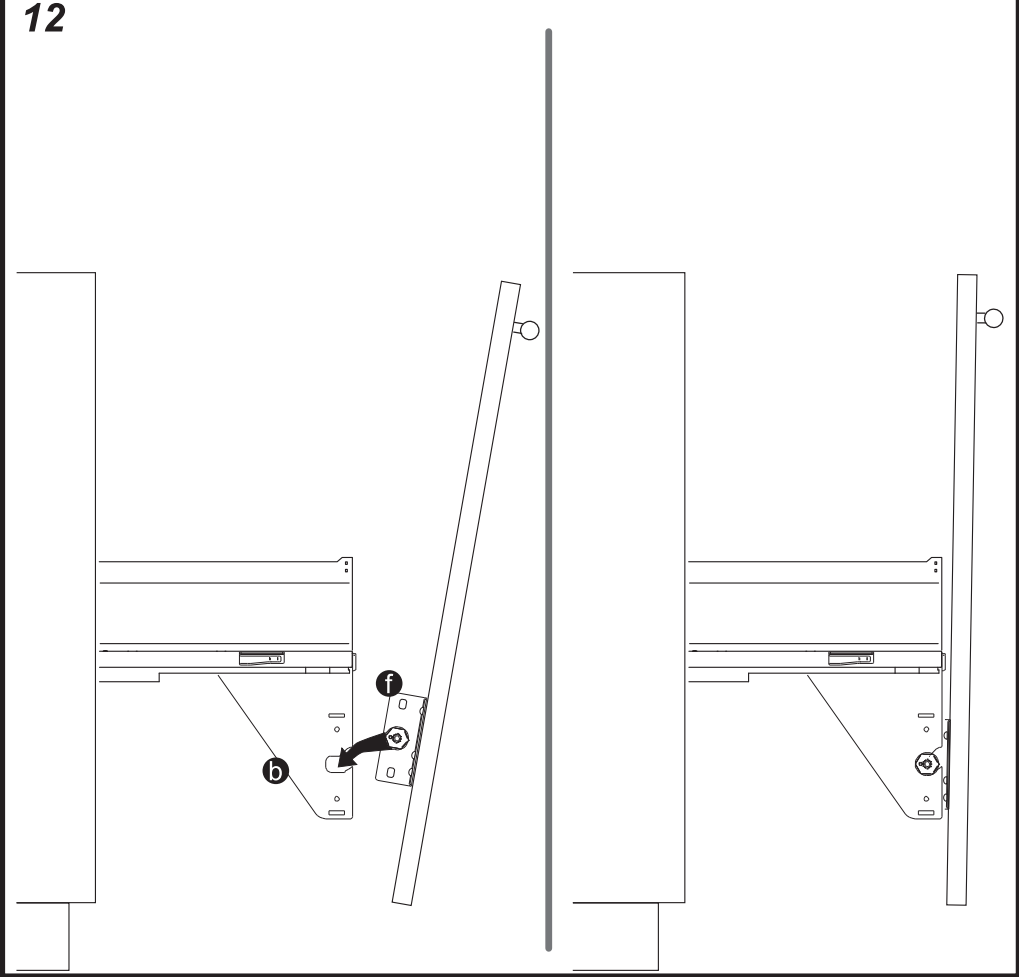
10



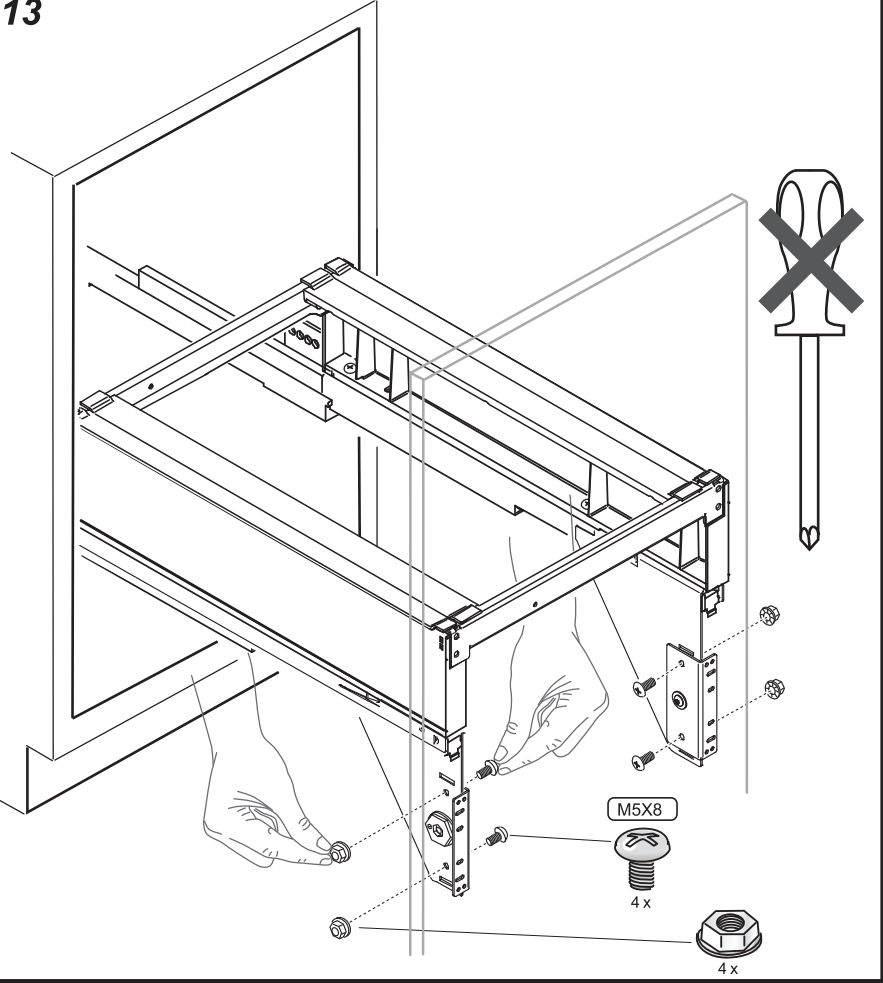
11



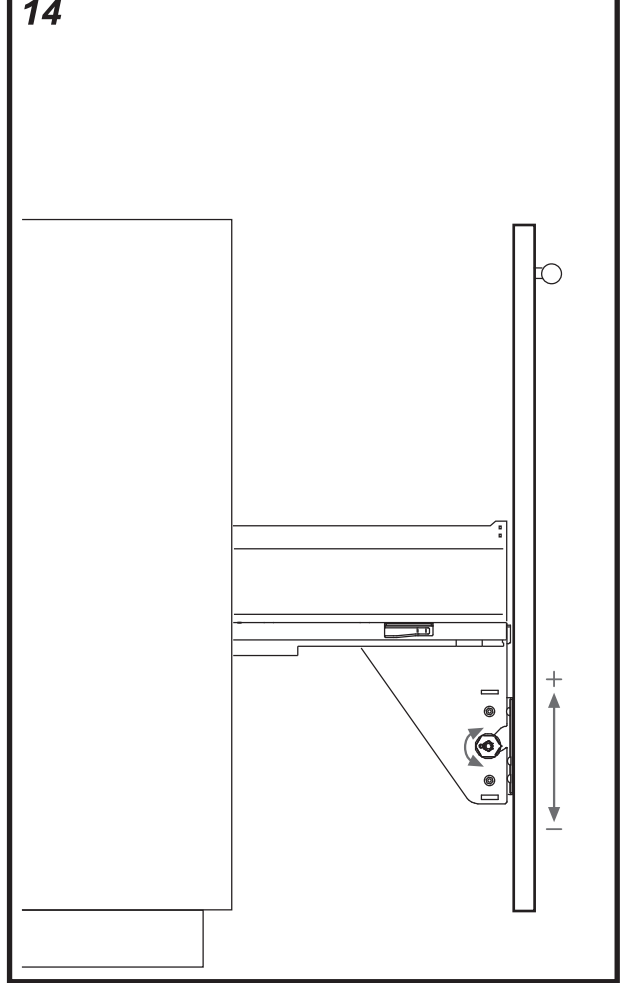
12



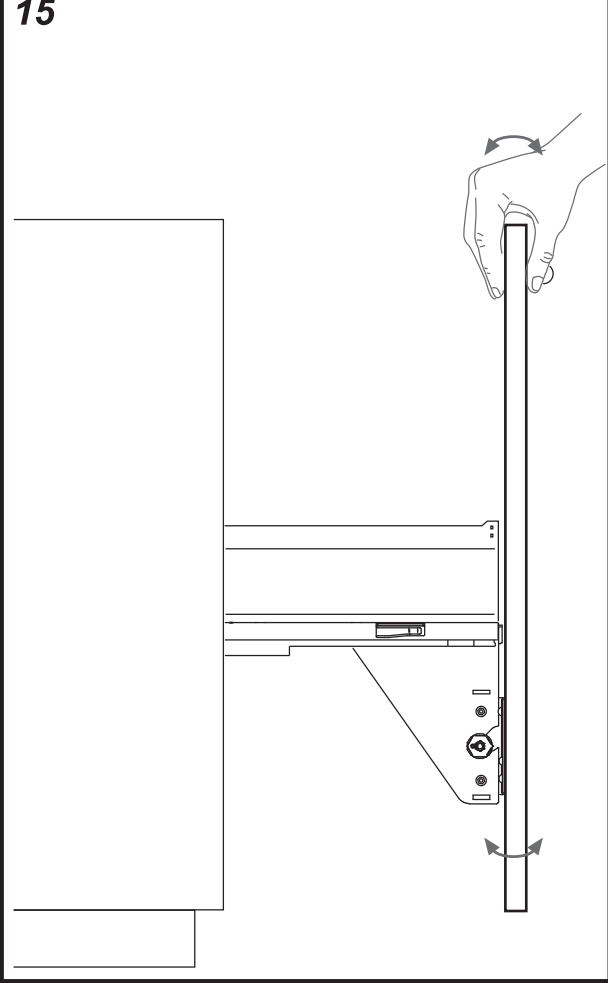
13



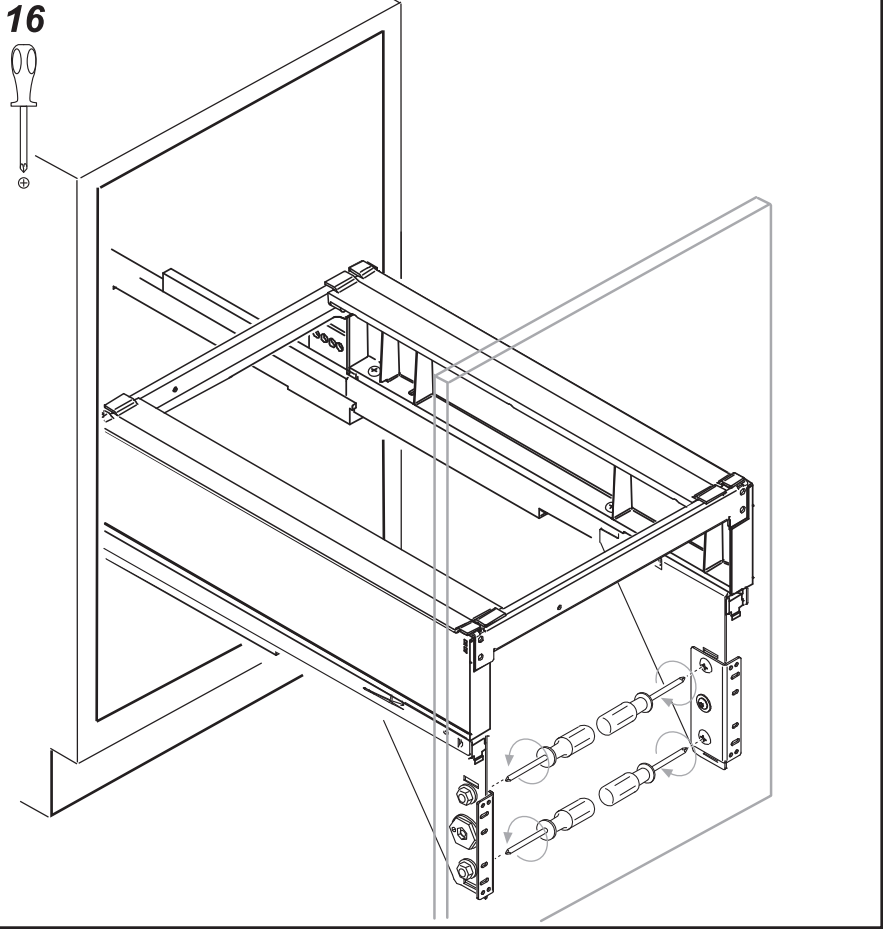
14



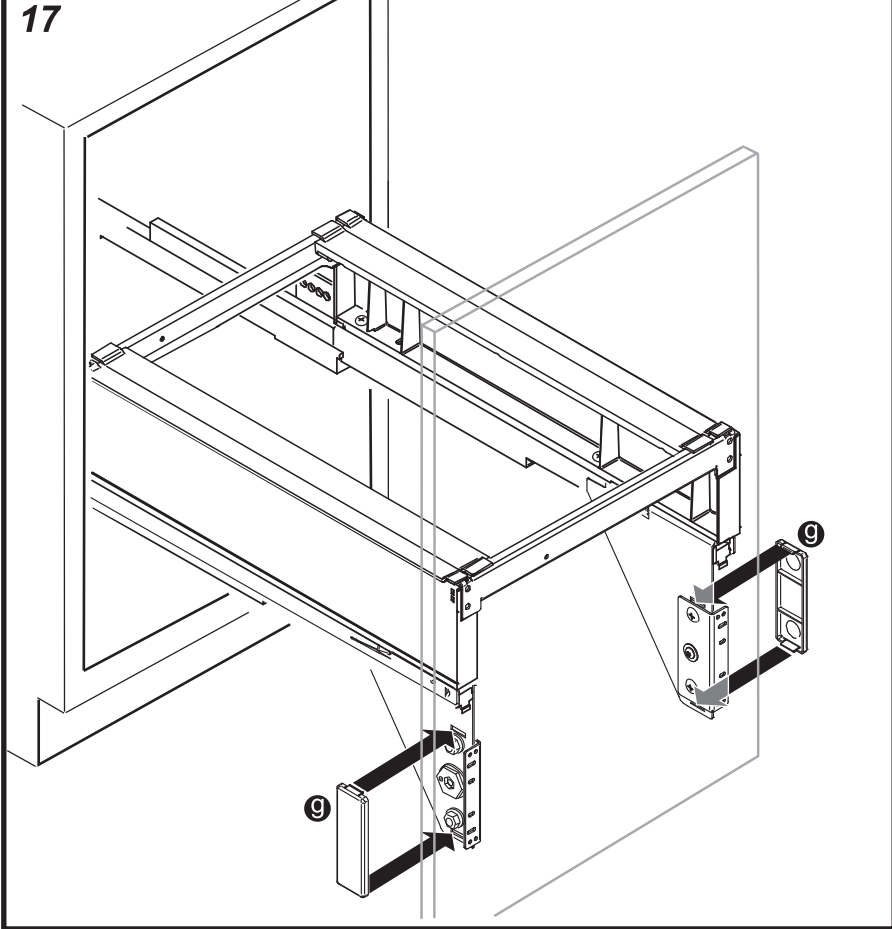
15



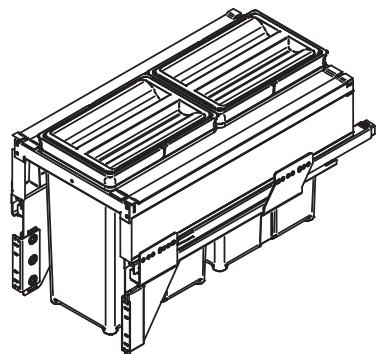
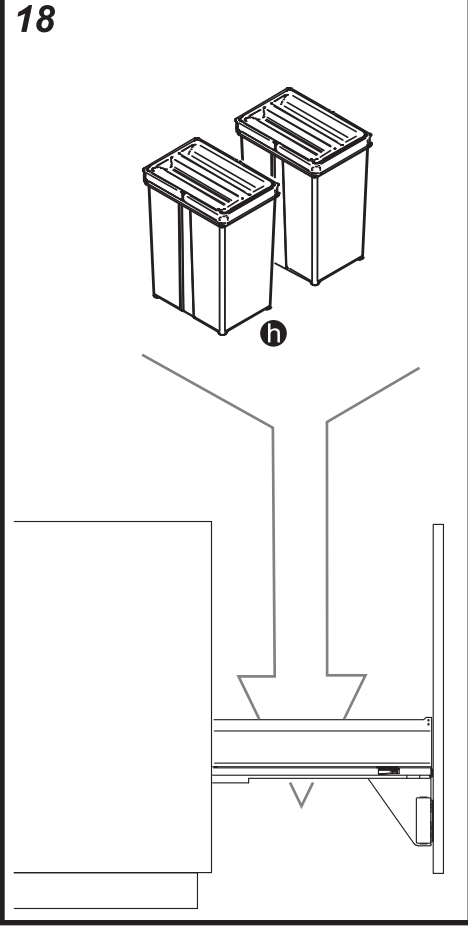
16



17

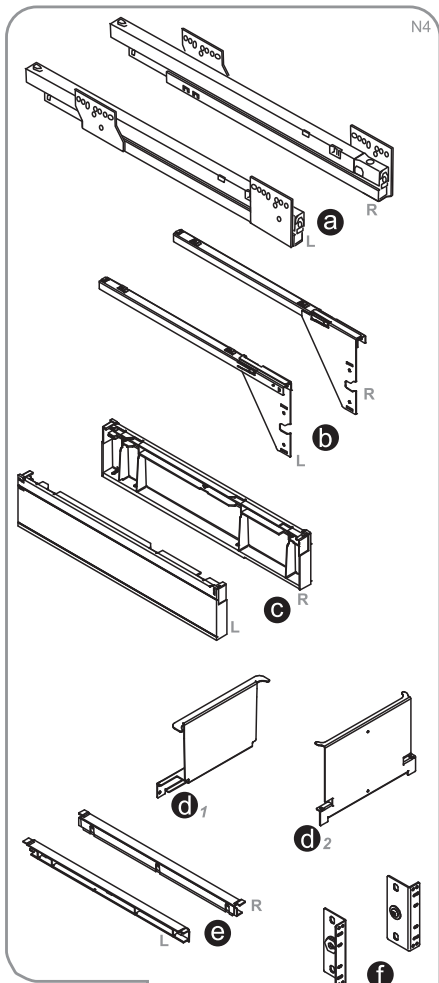


18

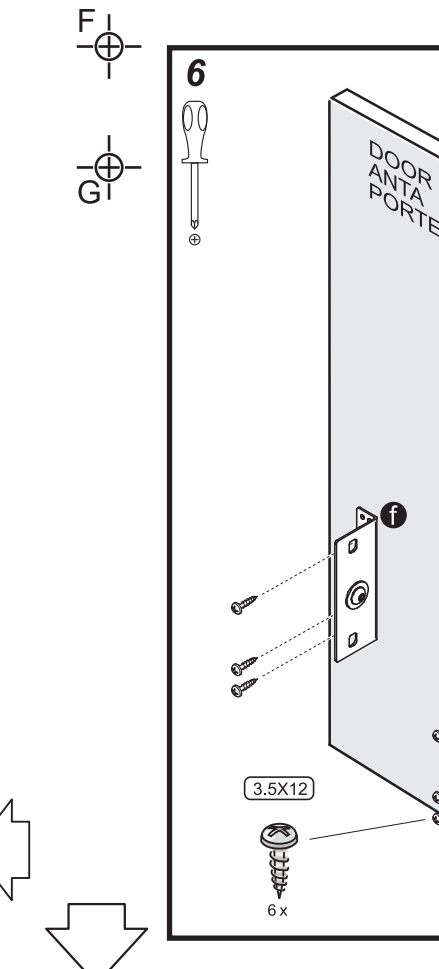
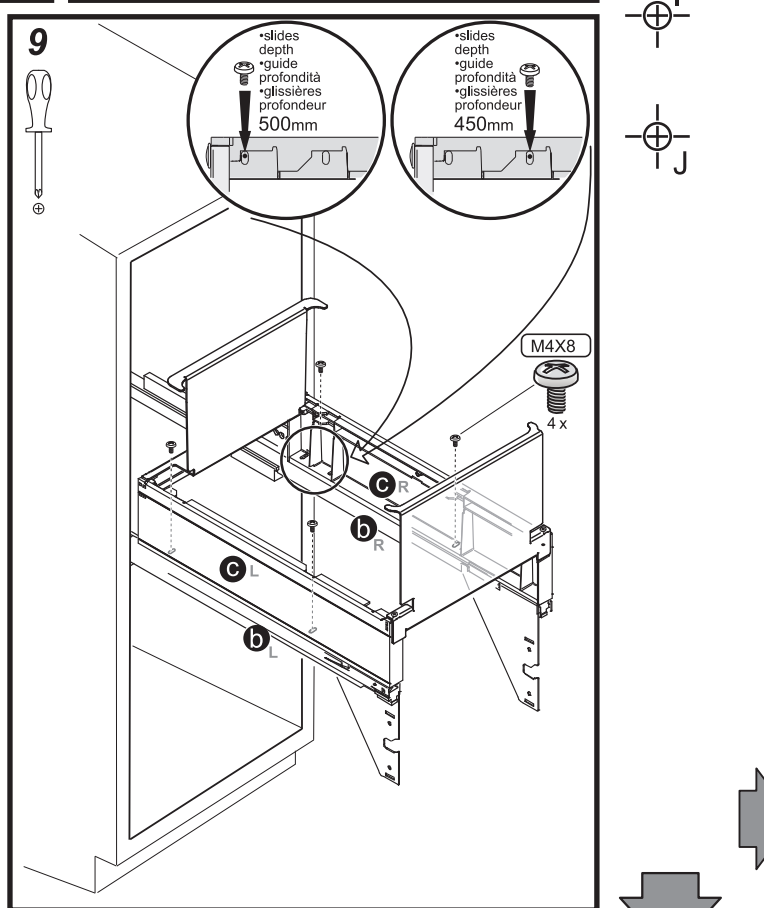
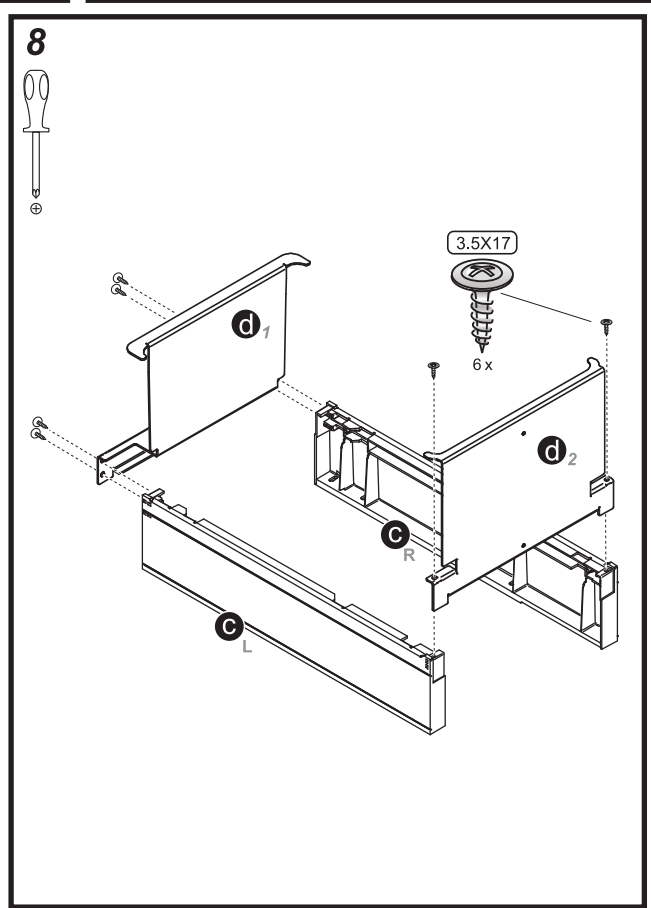
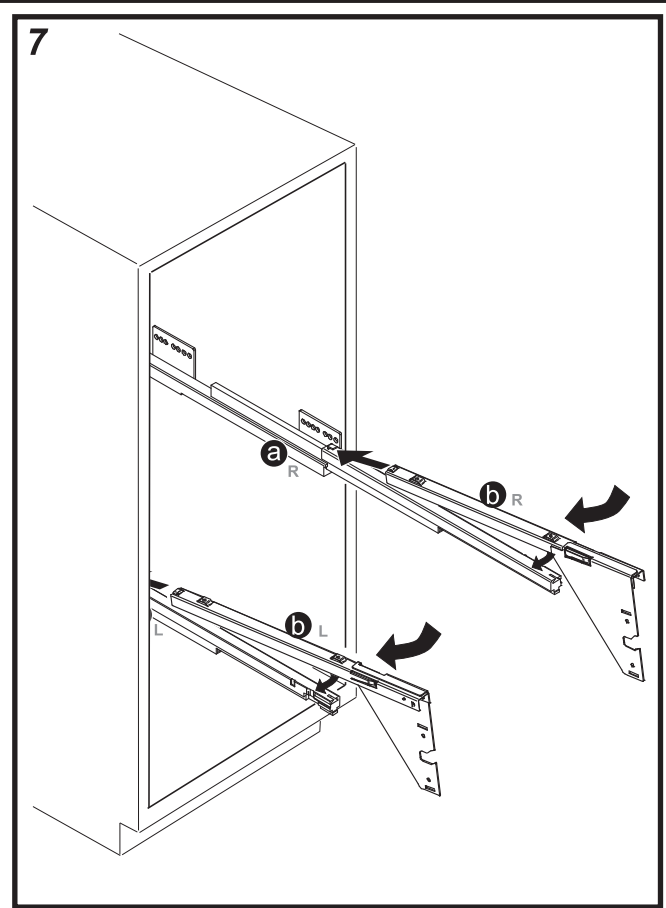
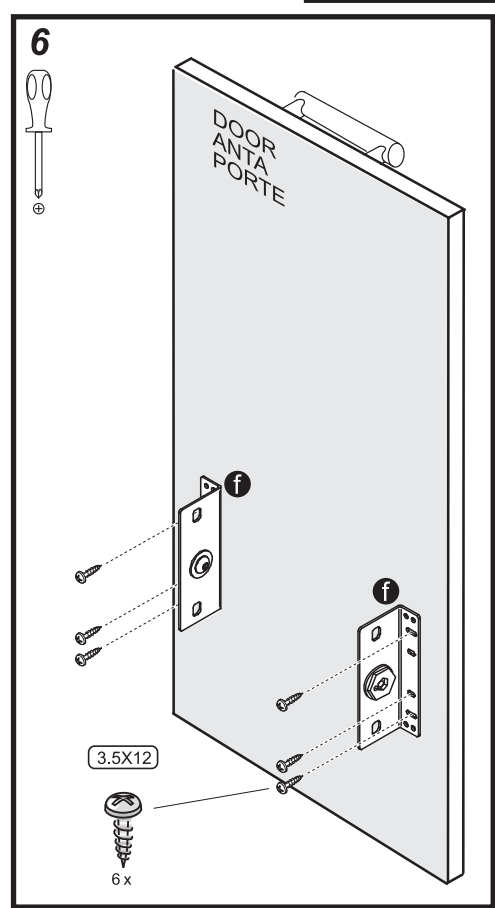
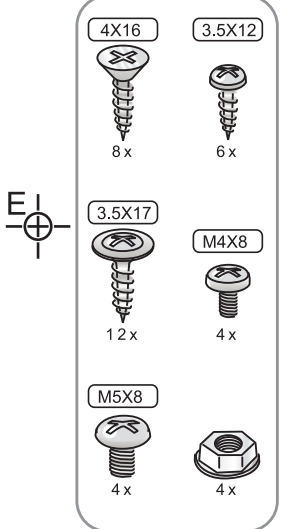
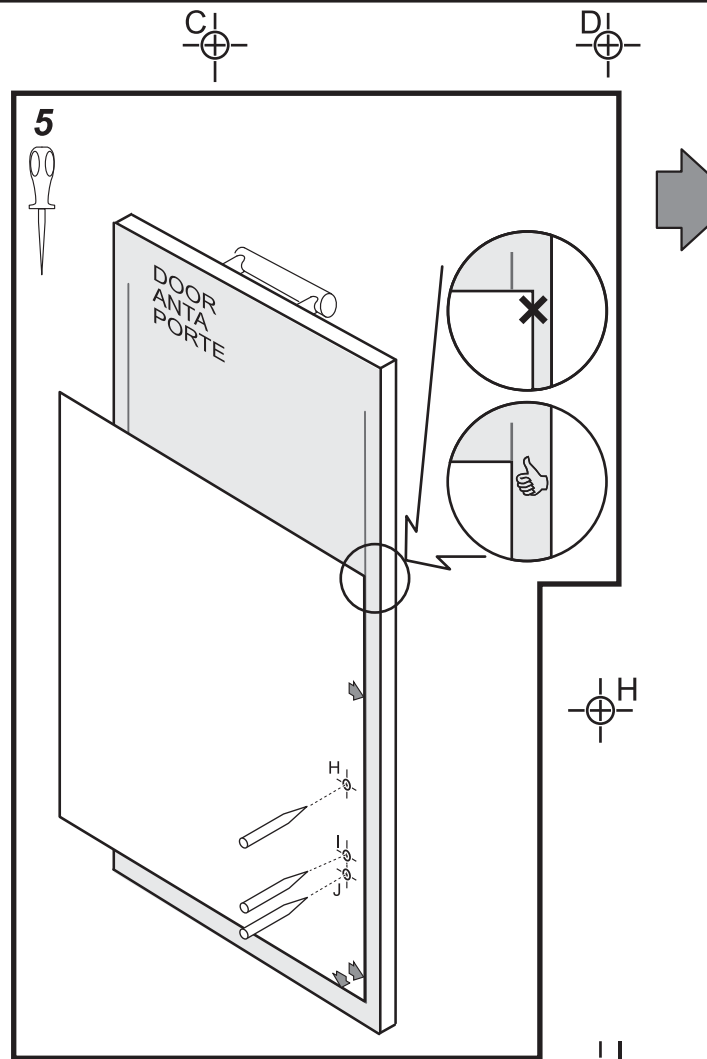
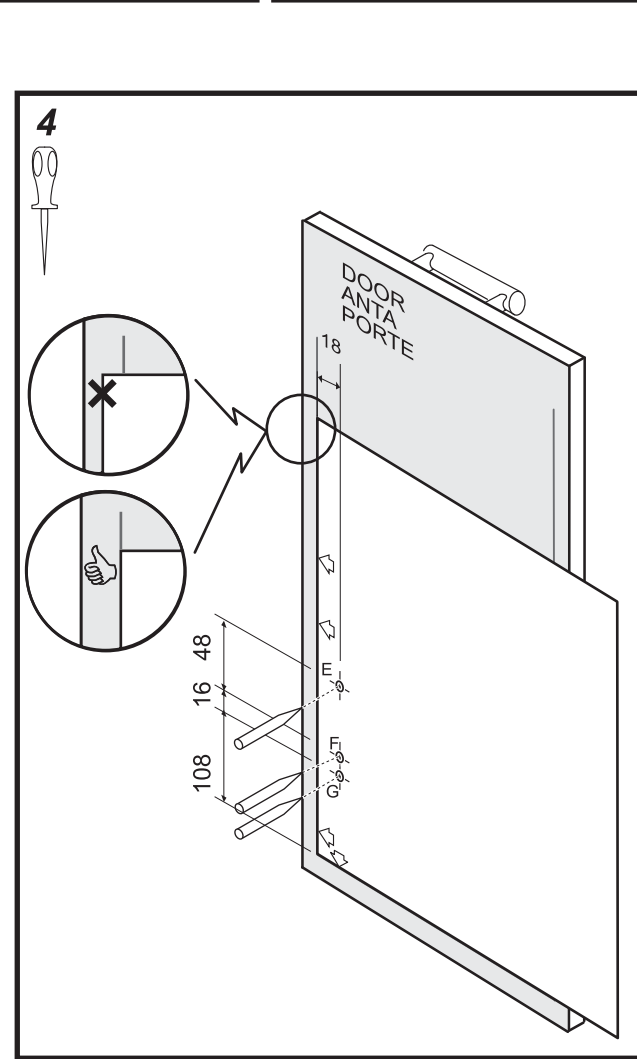
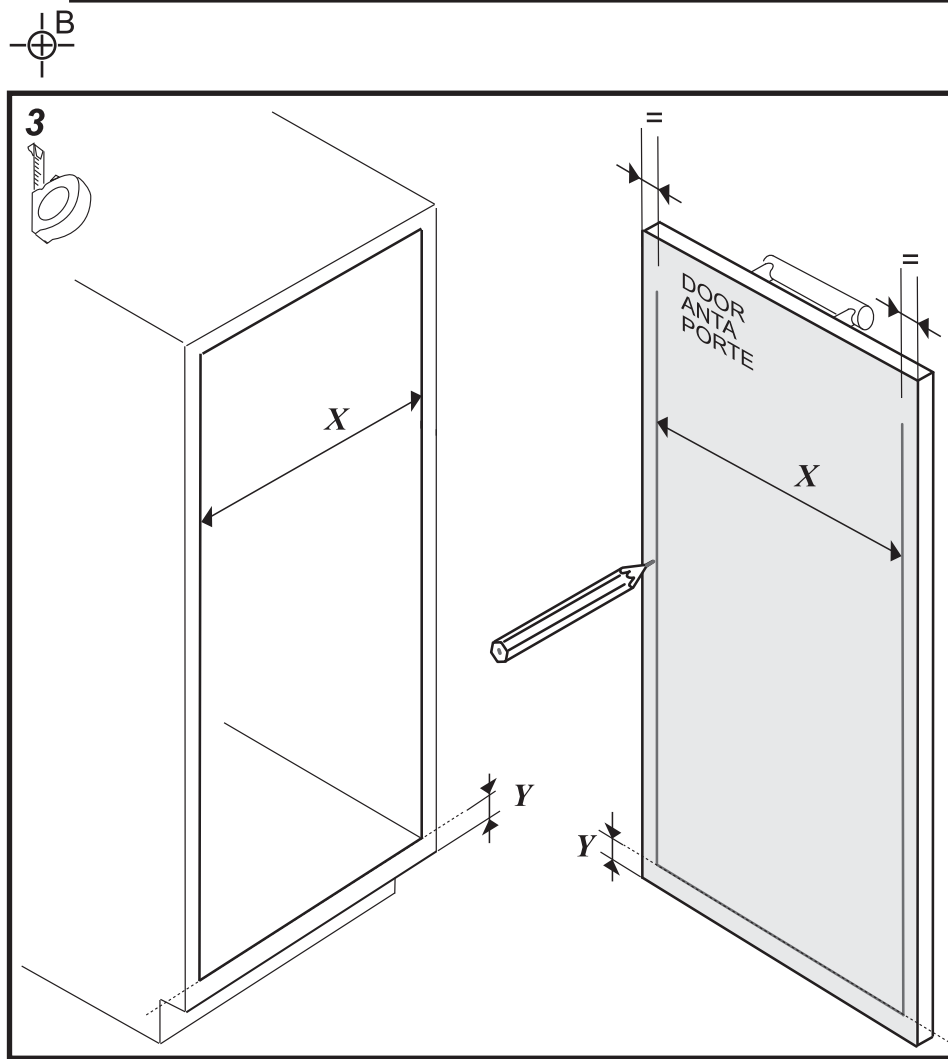
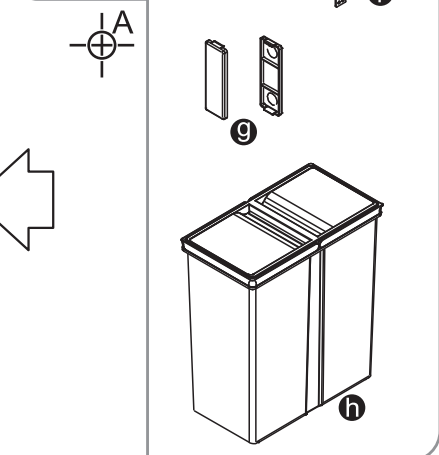
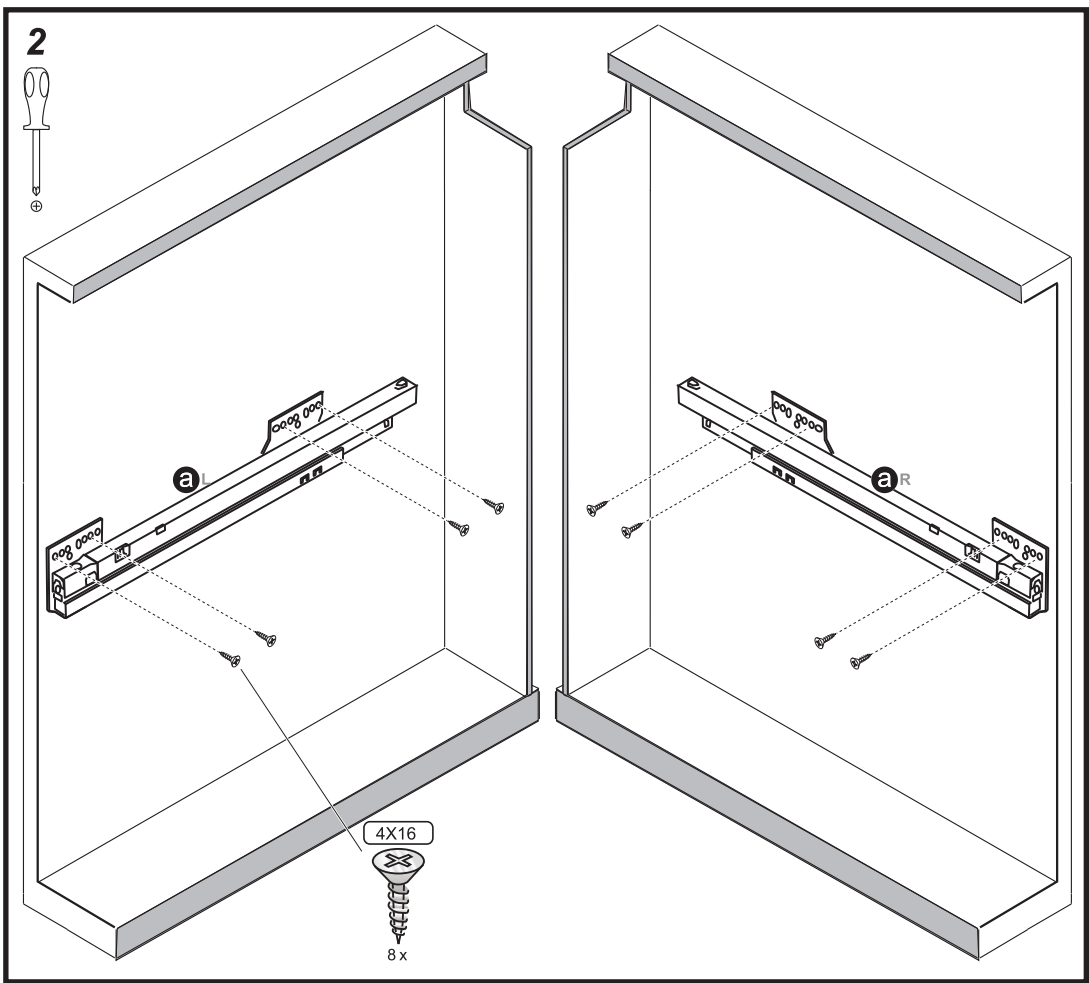
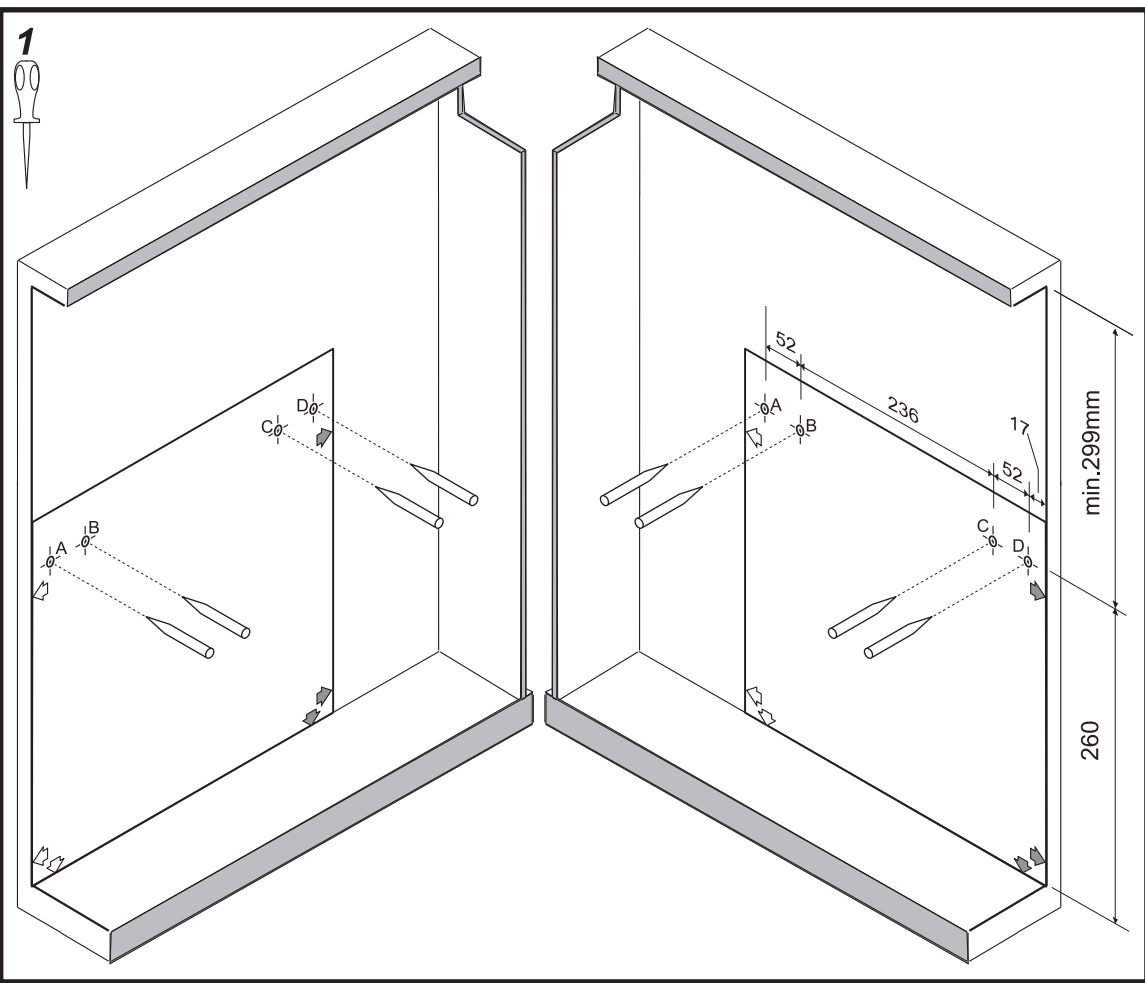


ART. 580PL30B  
base 300

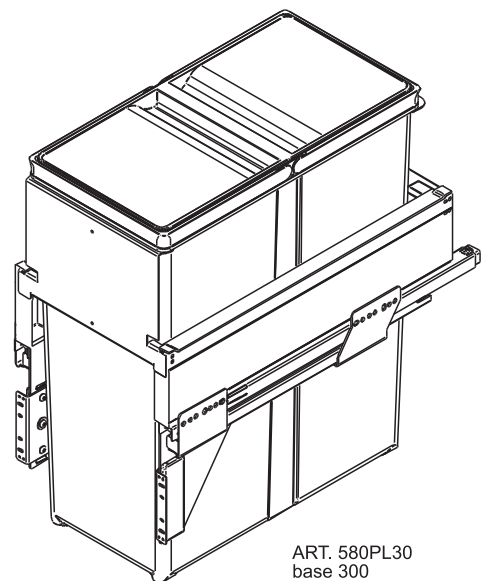
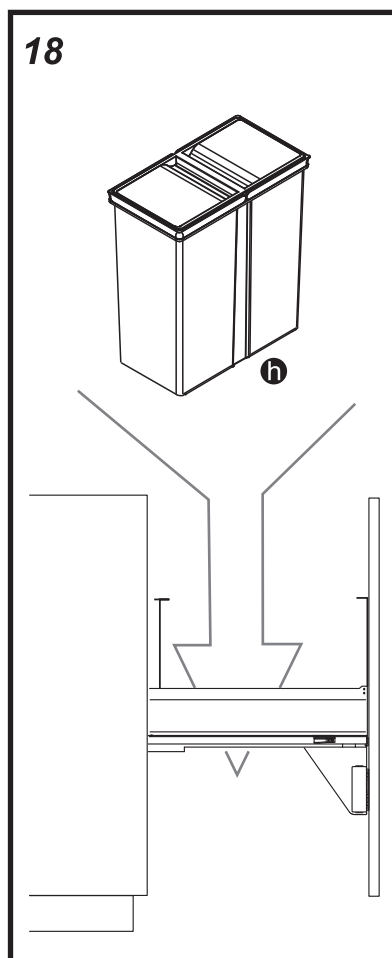
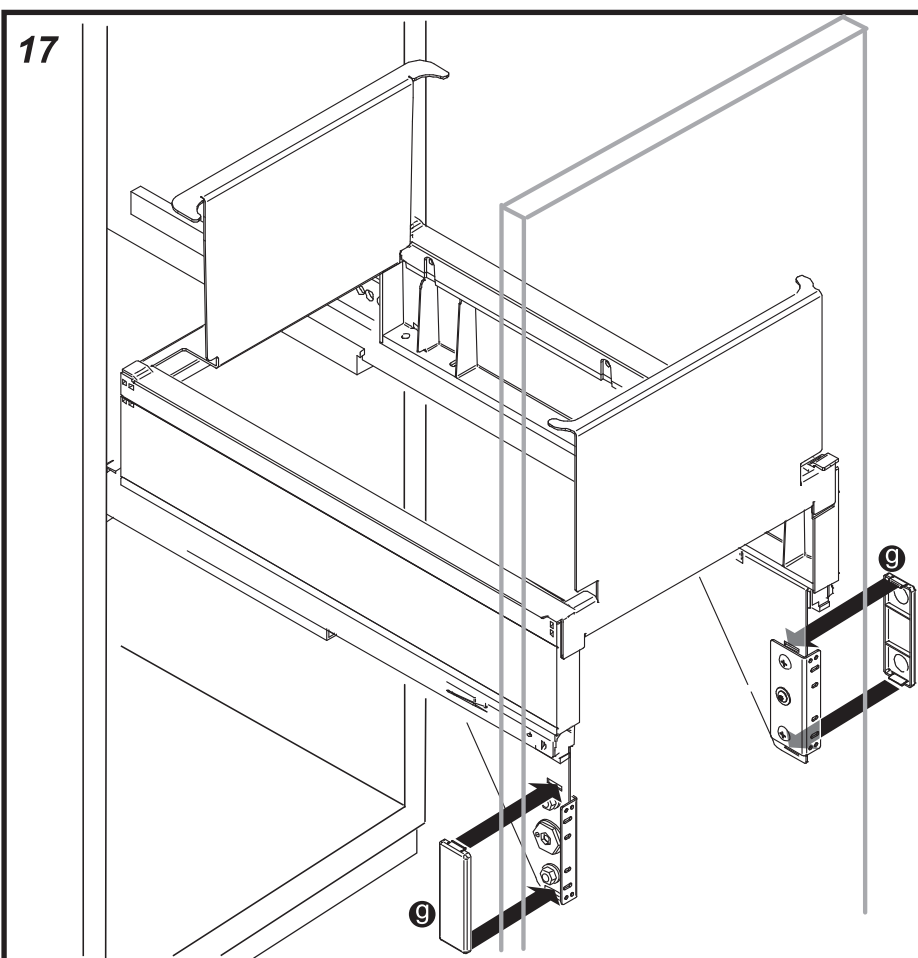
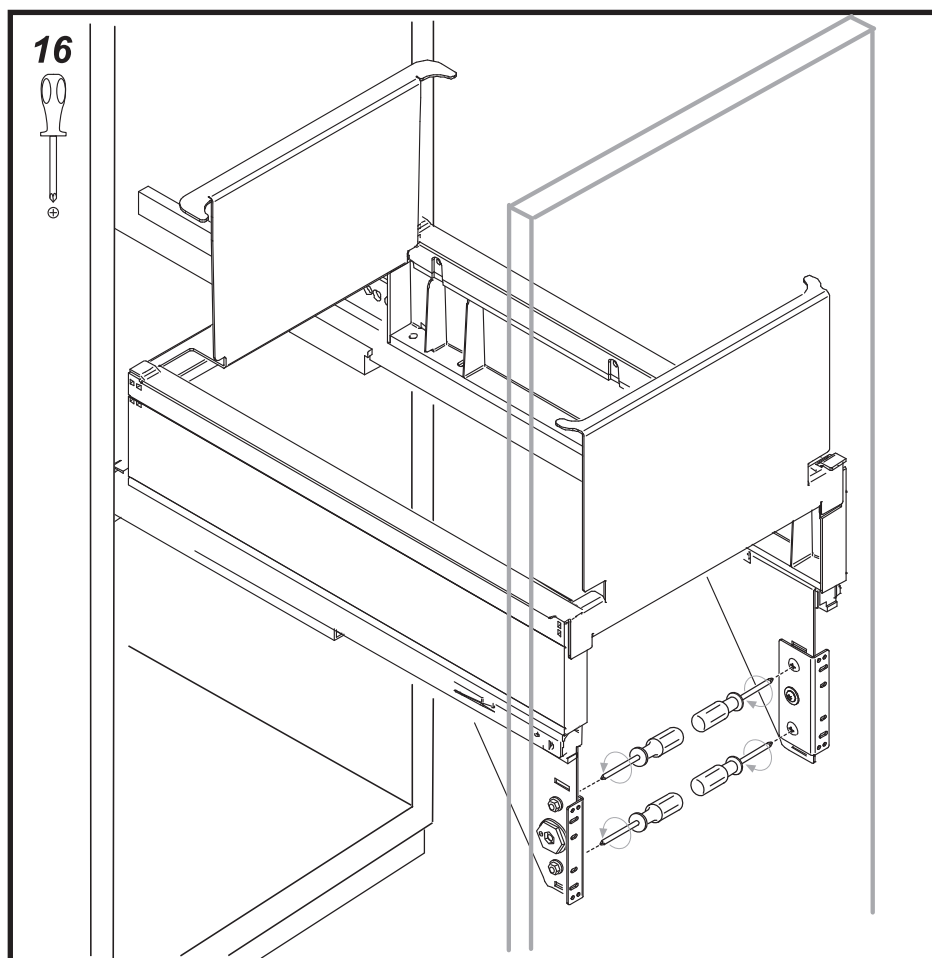
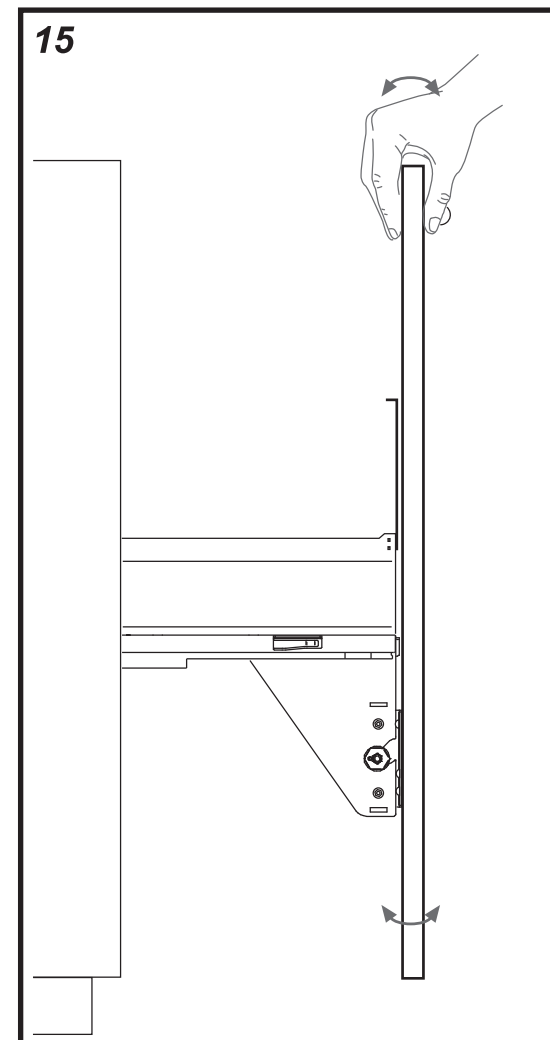
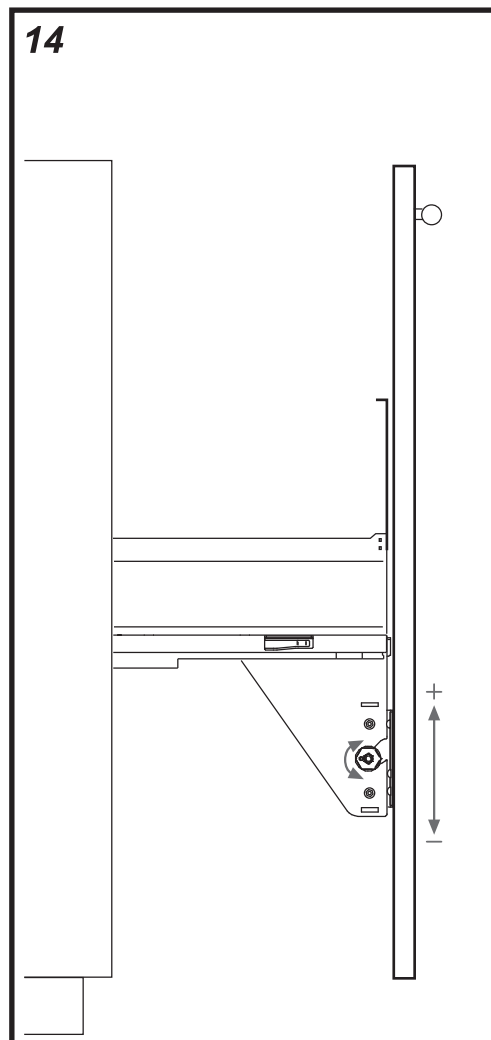
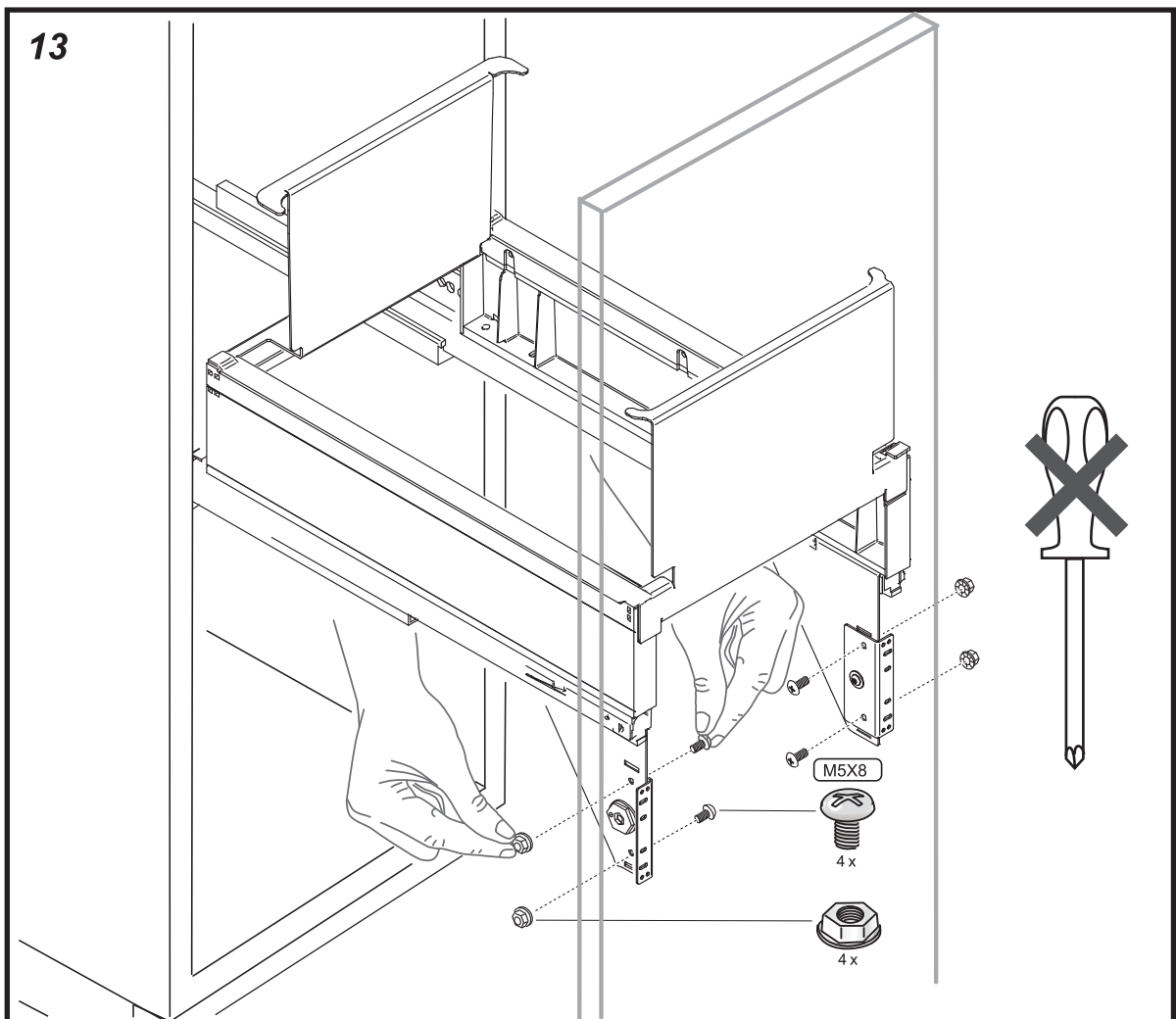
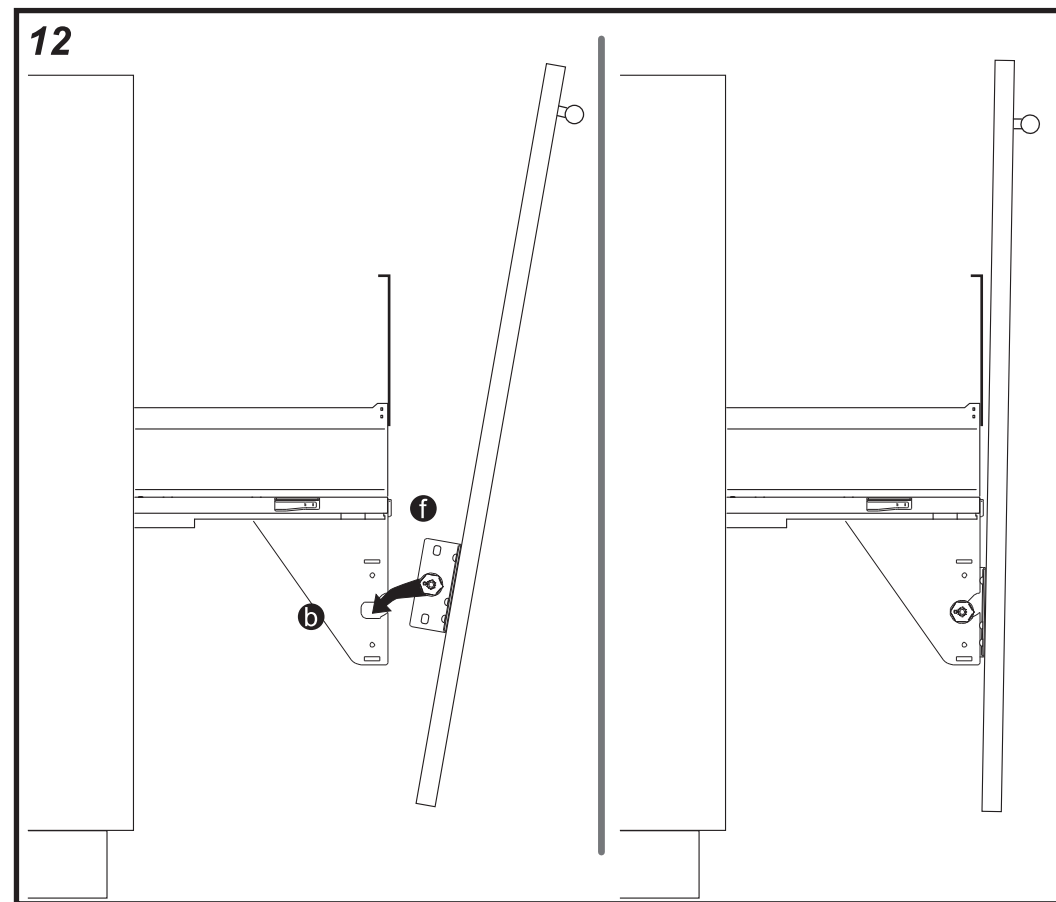
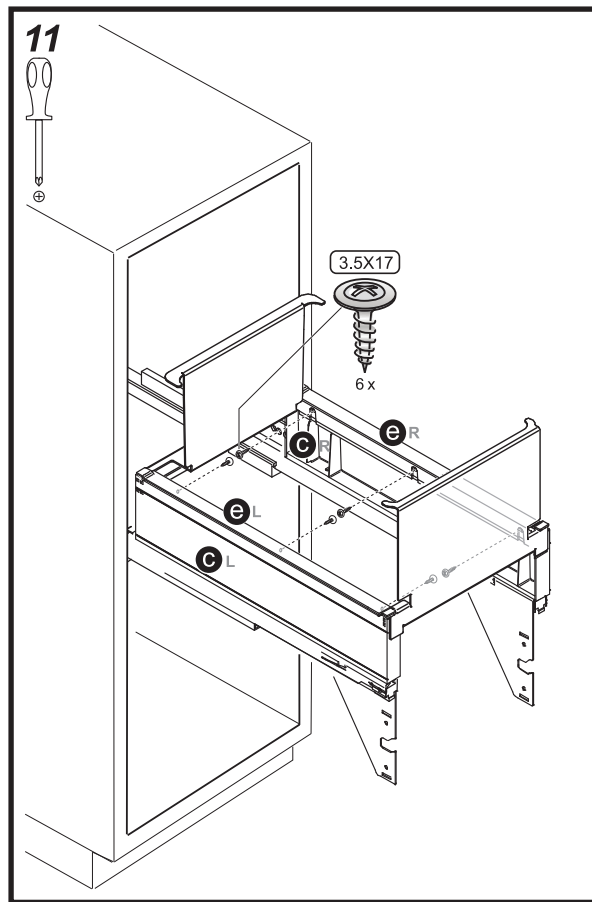
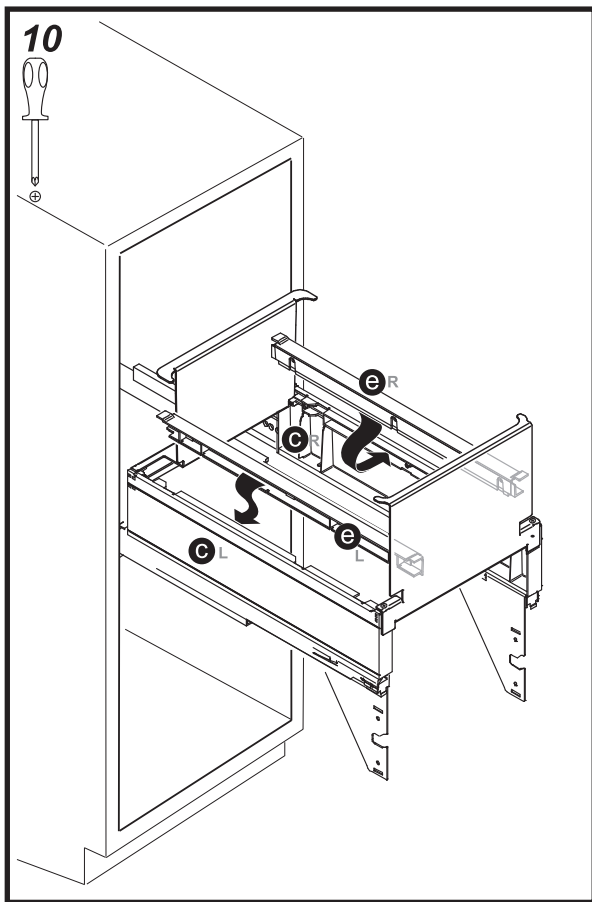
logico580P01N © 06/02/2019 REV00



•base300mm: ART.580PL30C

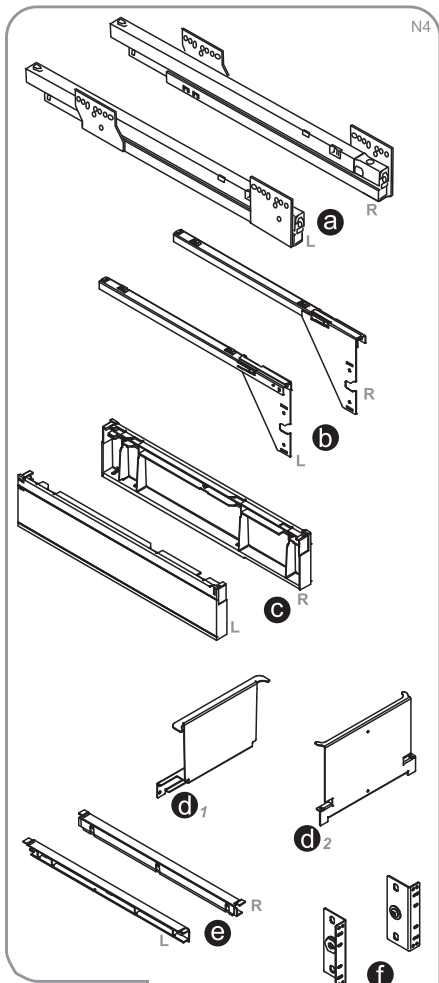




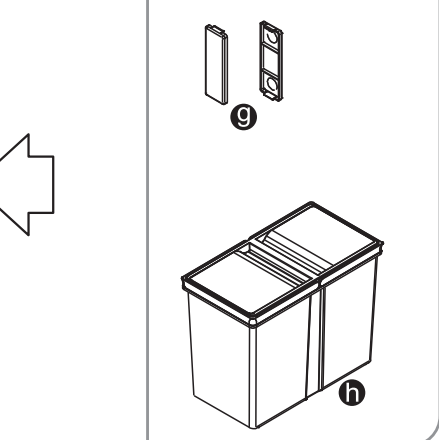
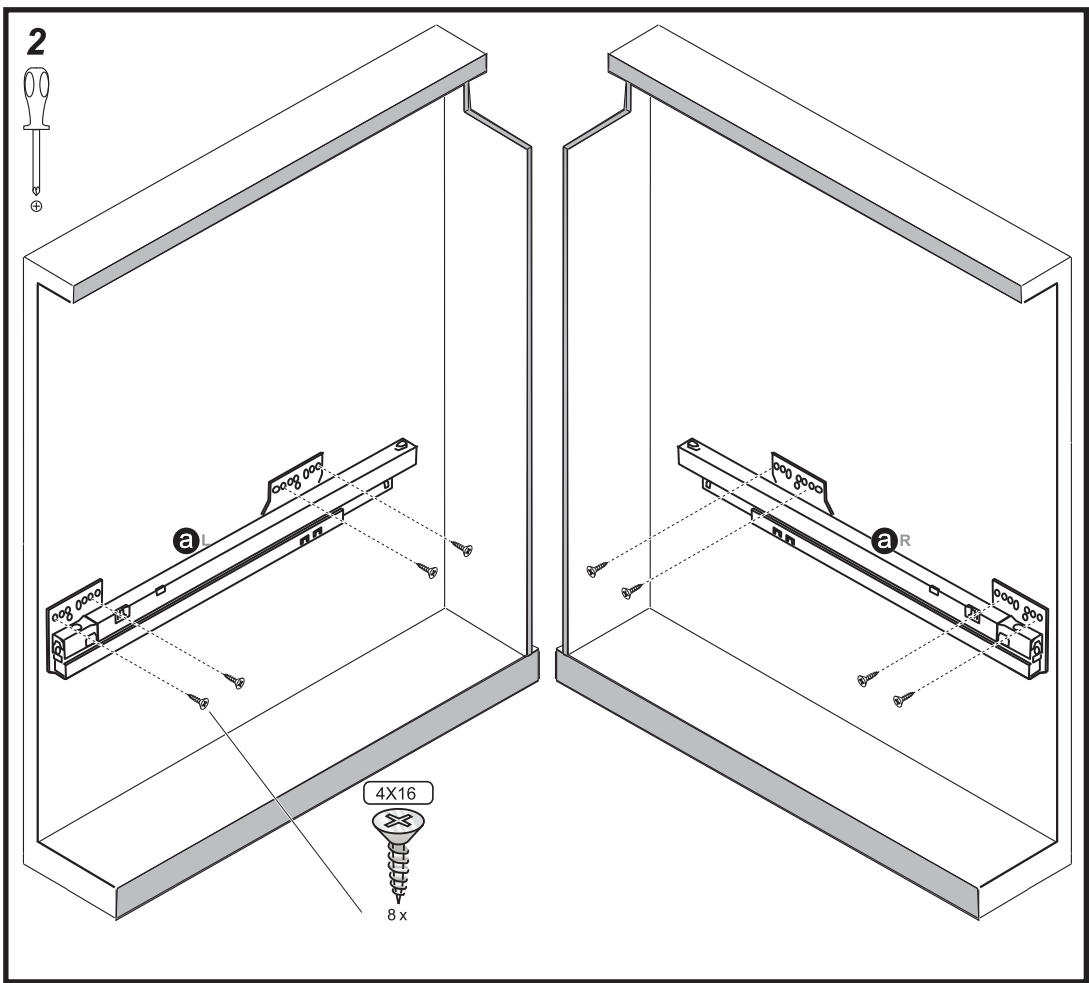
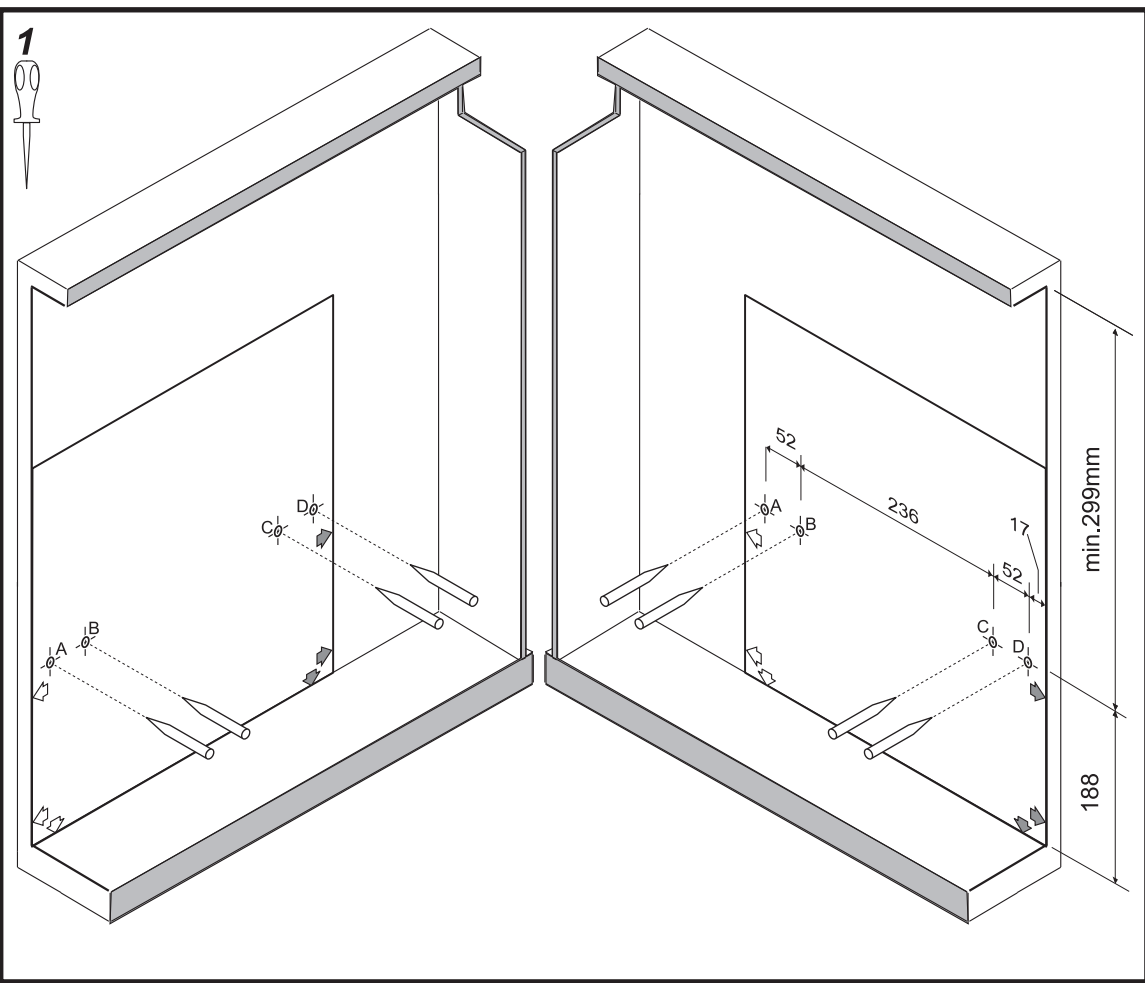


ART. 580PL30  
base 300

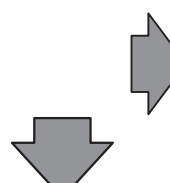
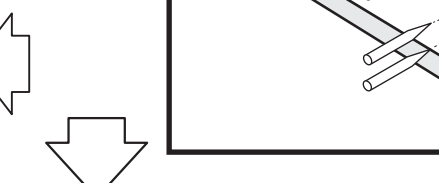
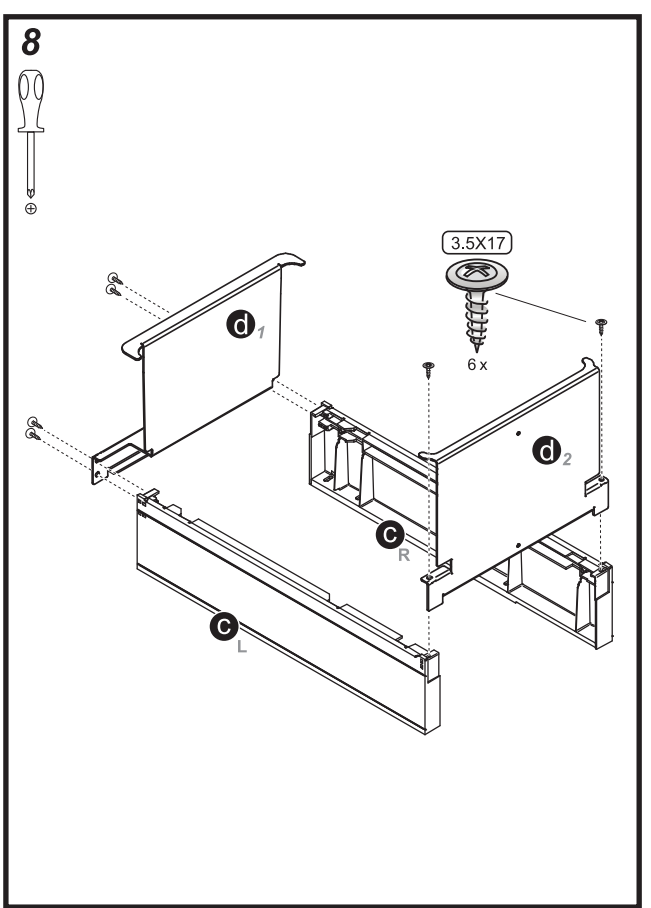
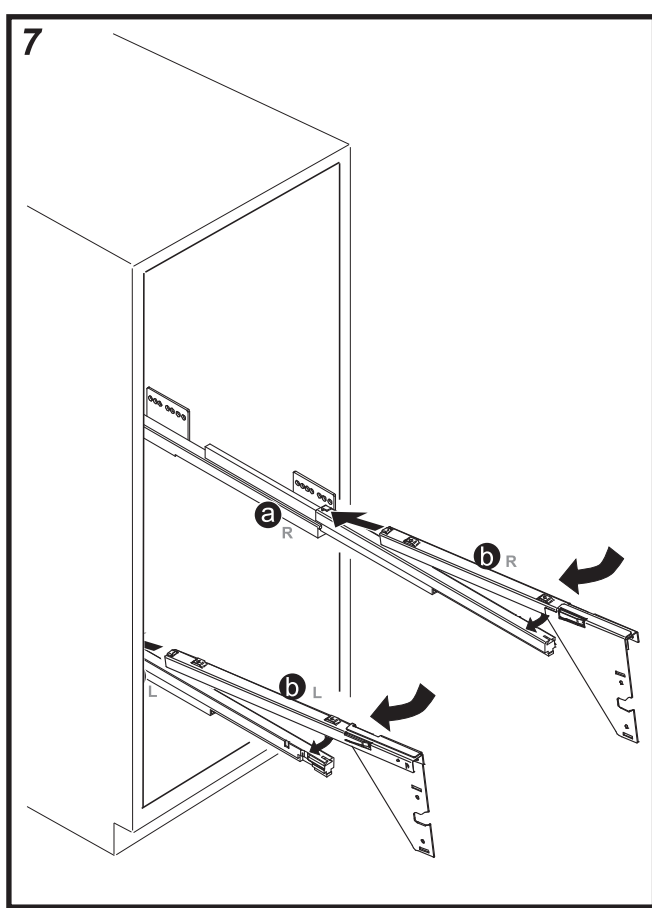
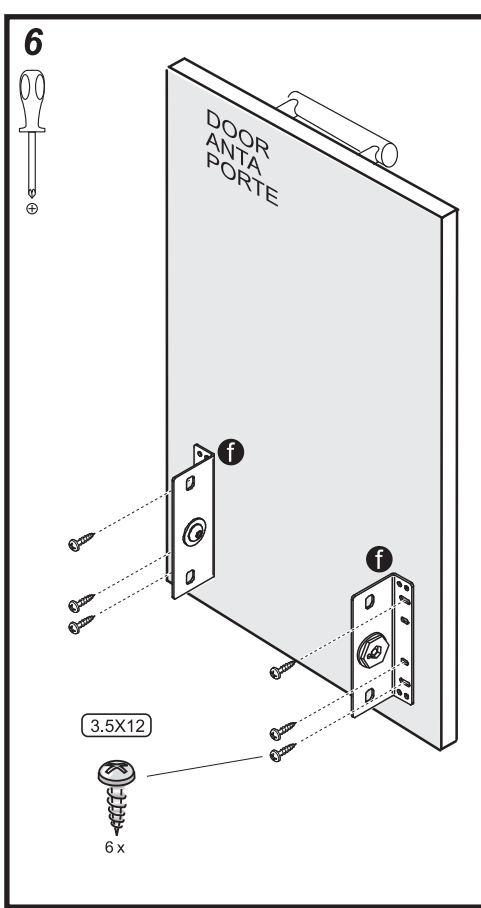
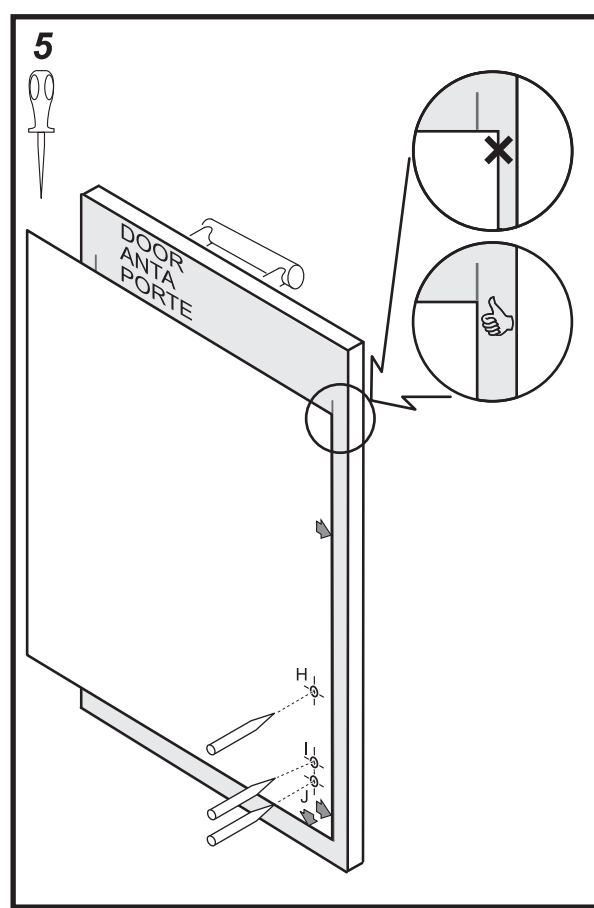
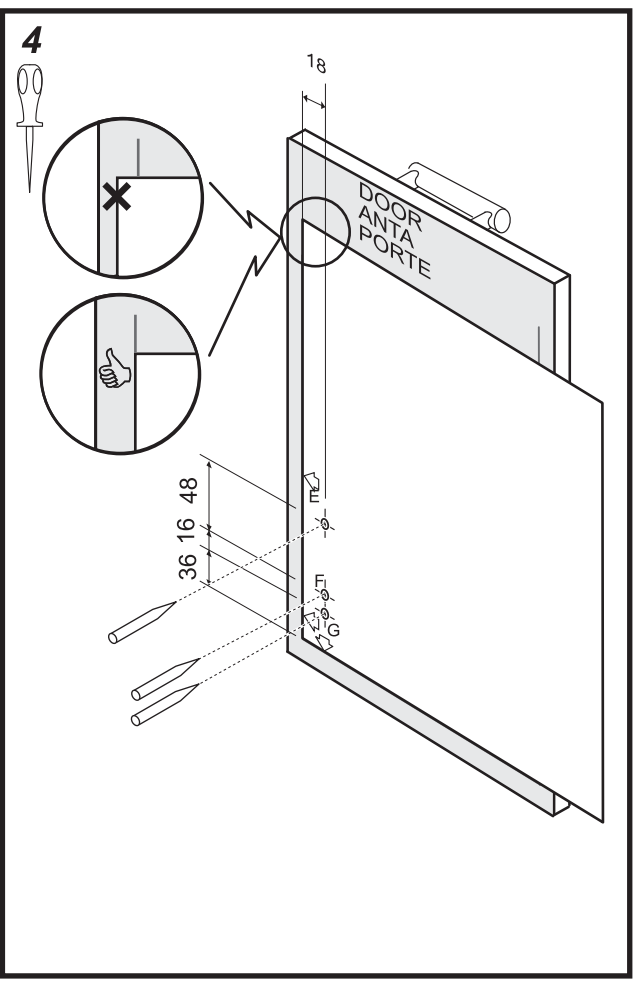
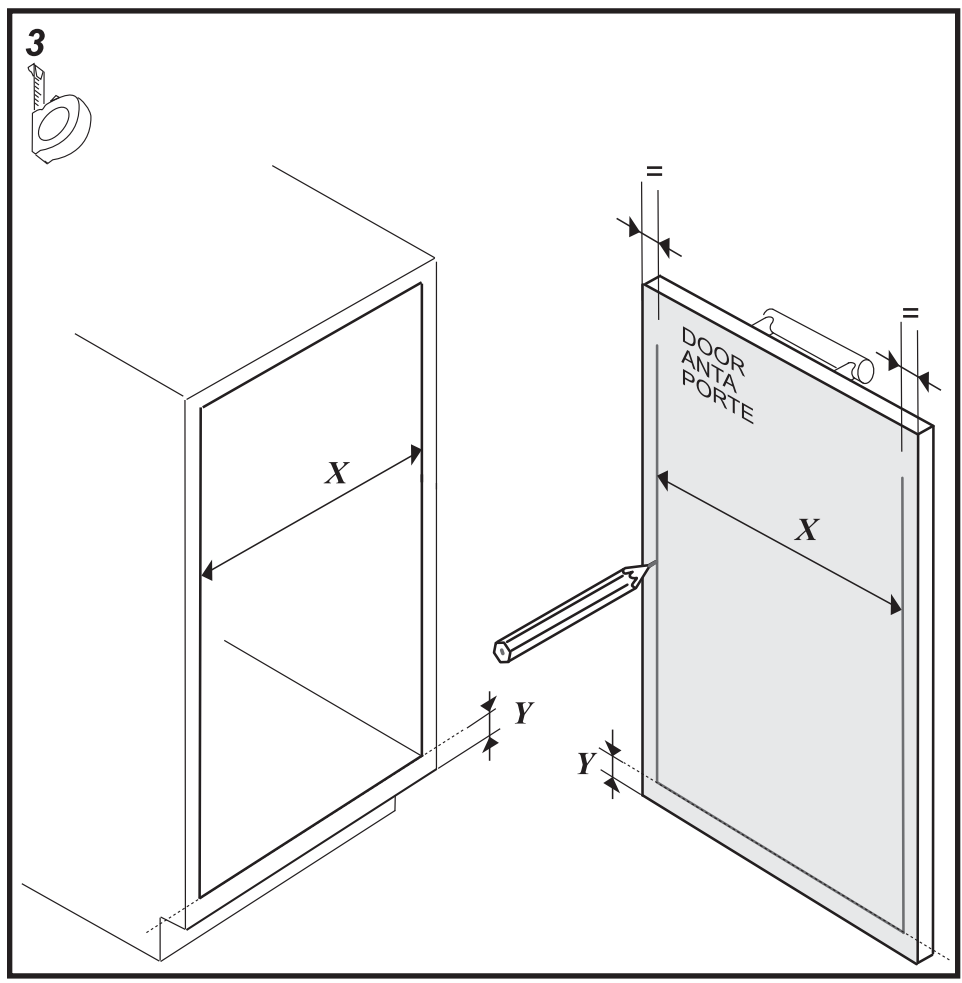


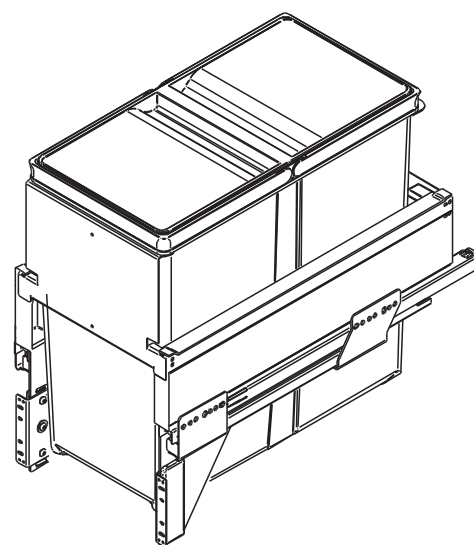
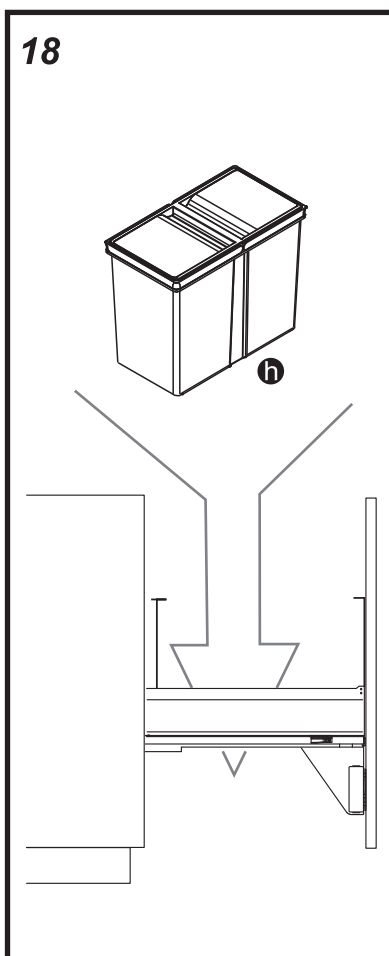
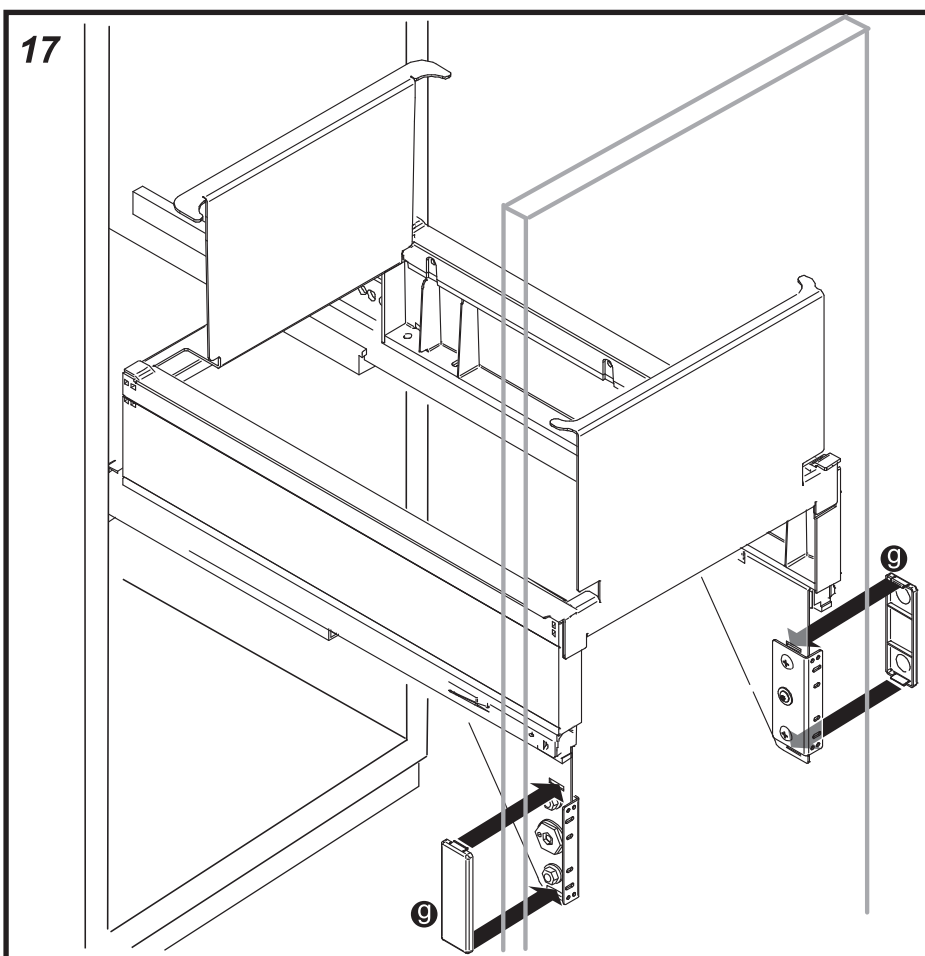
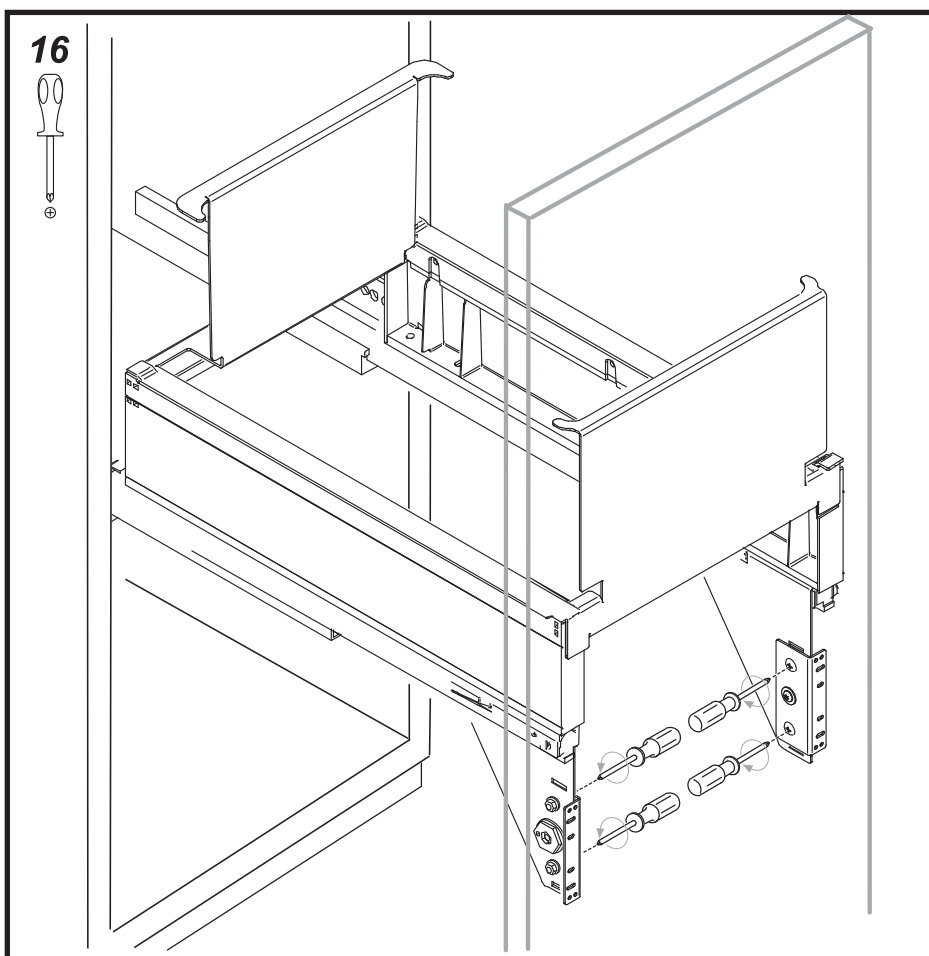
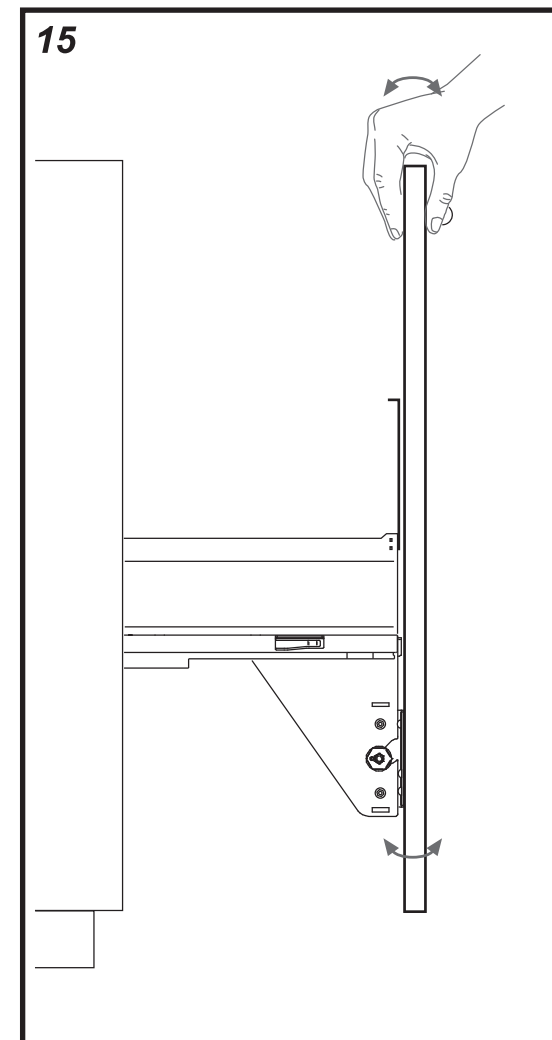
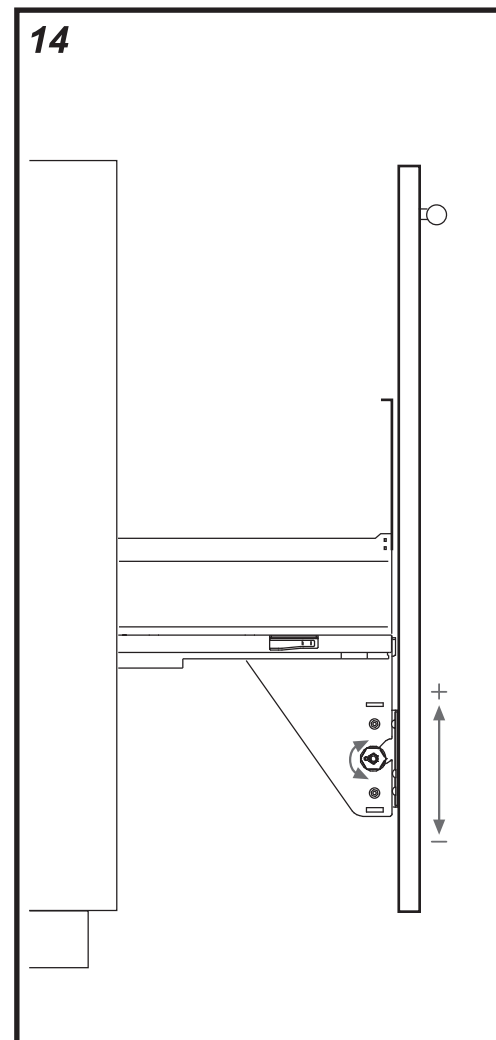
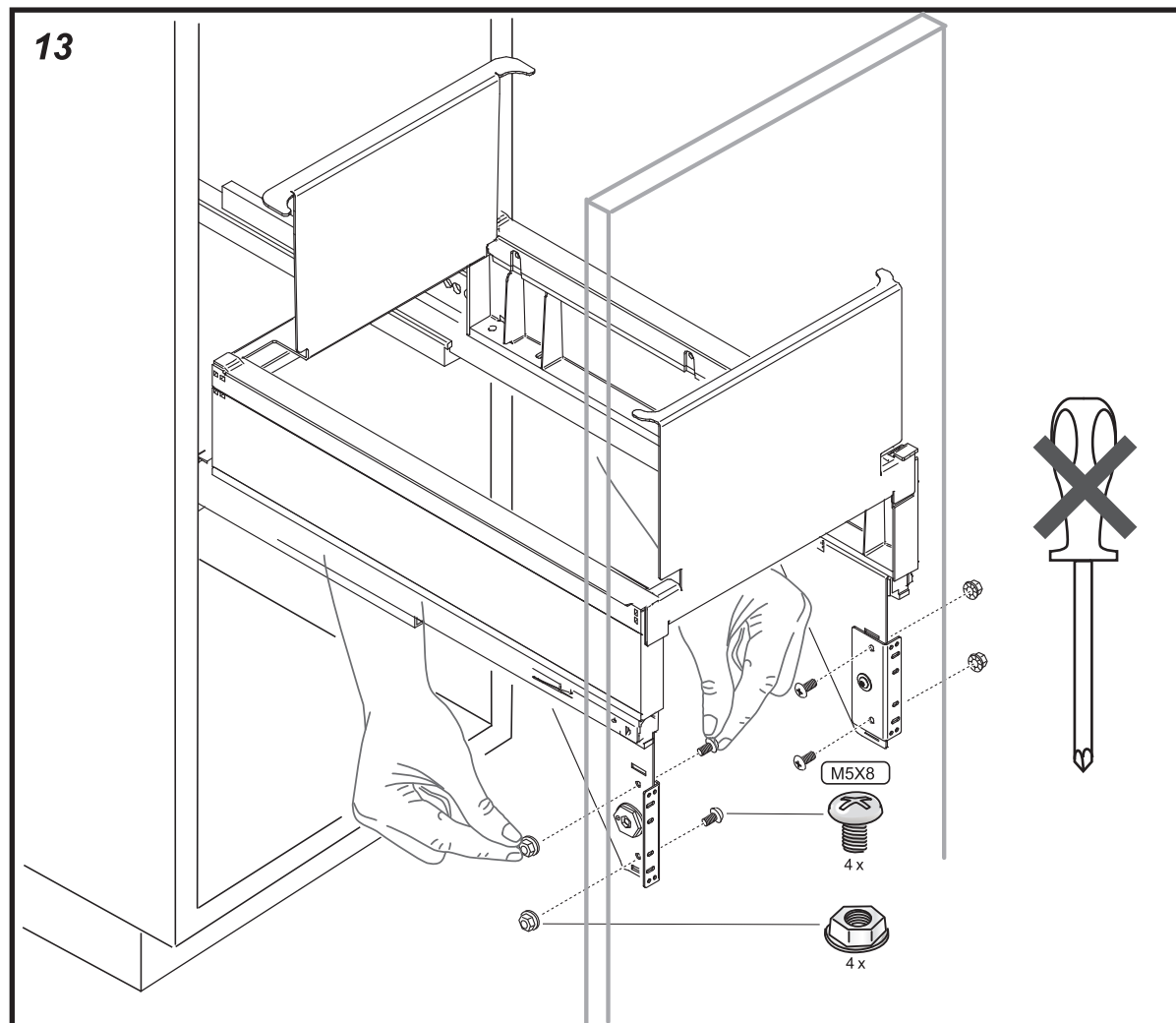
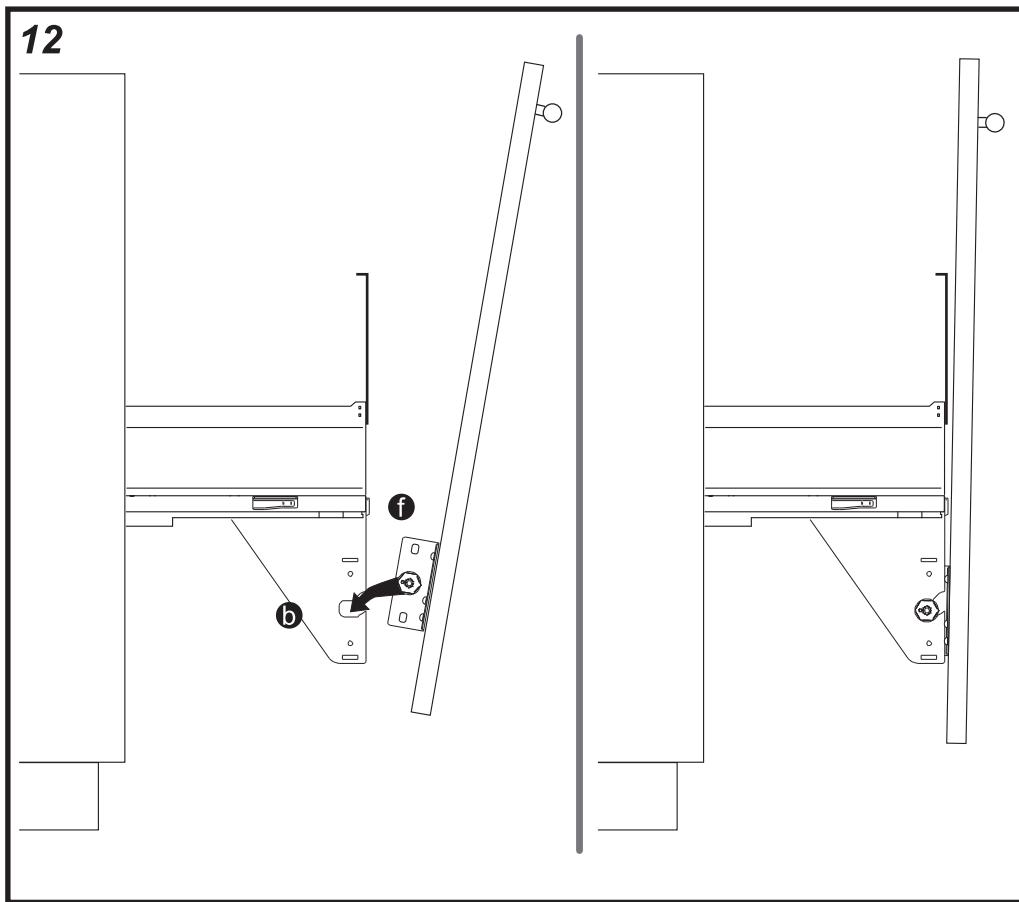
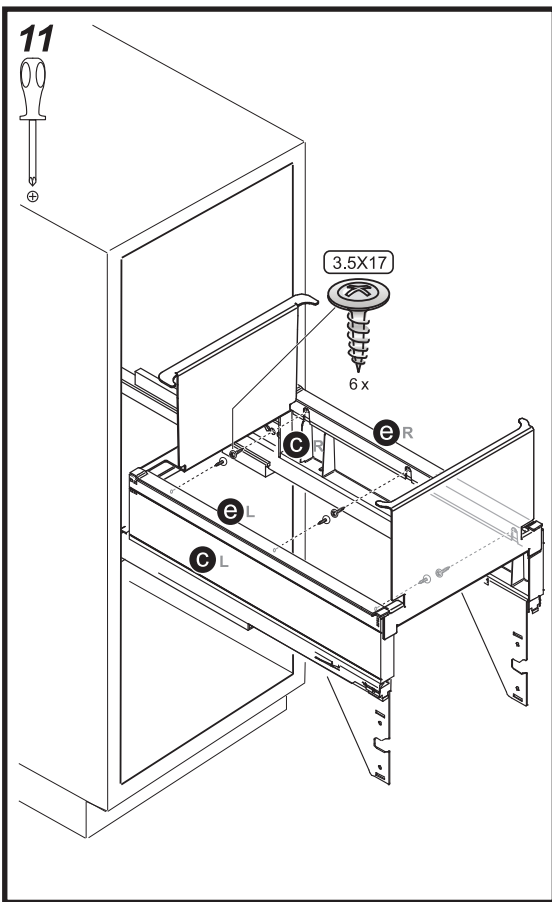
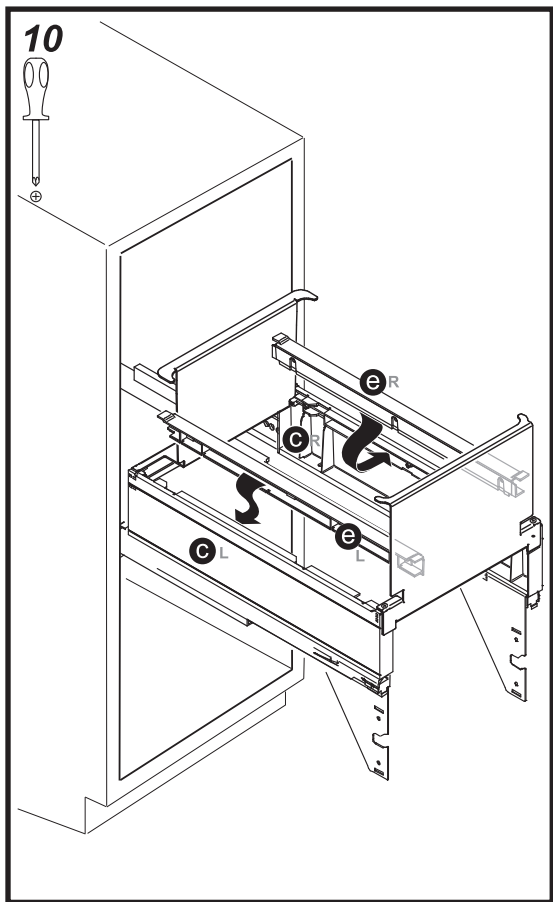
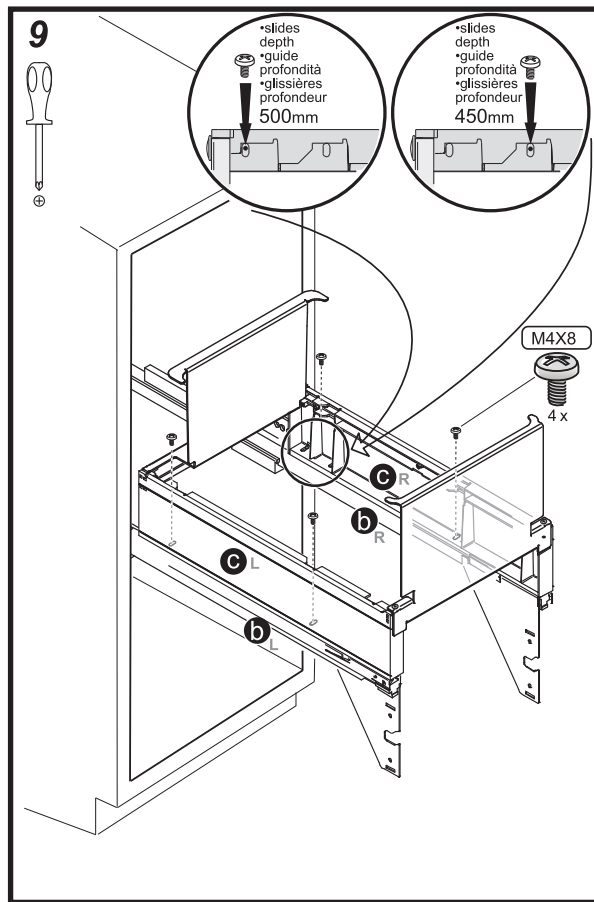


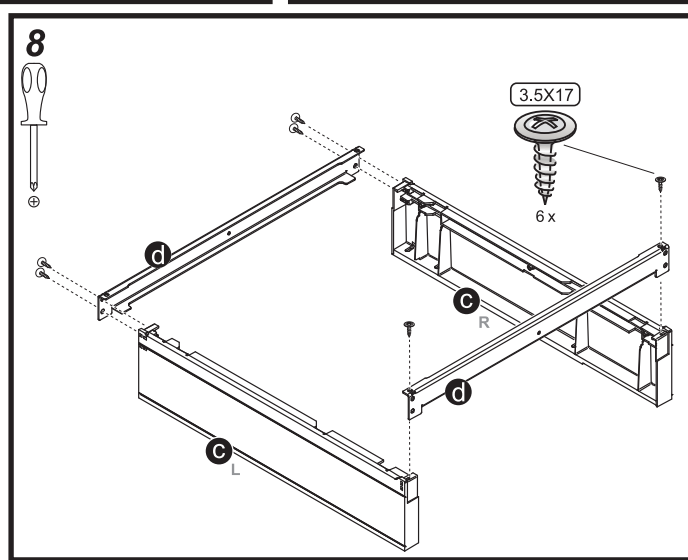
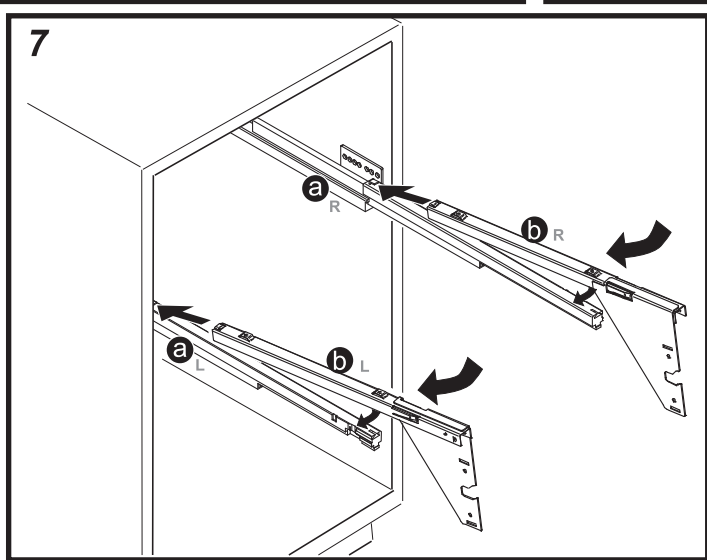
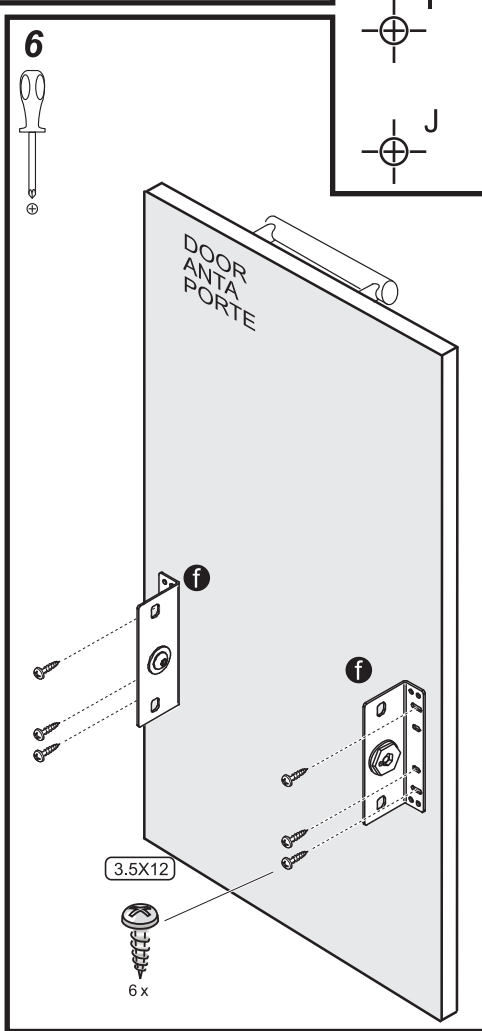
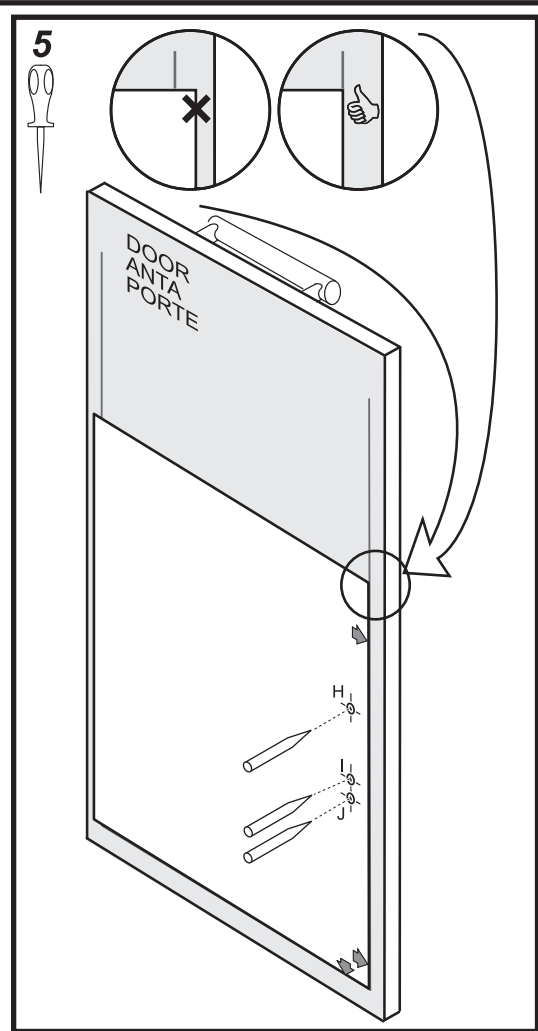
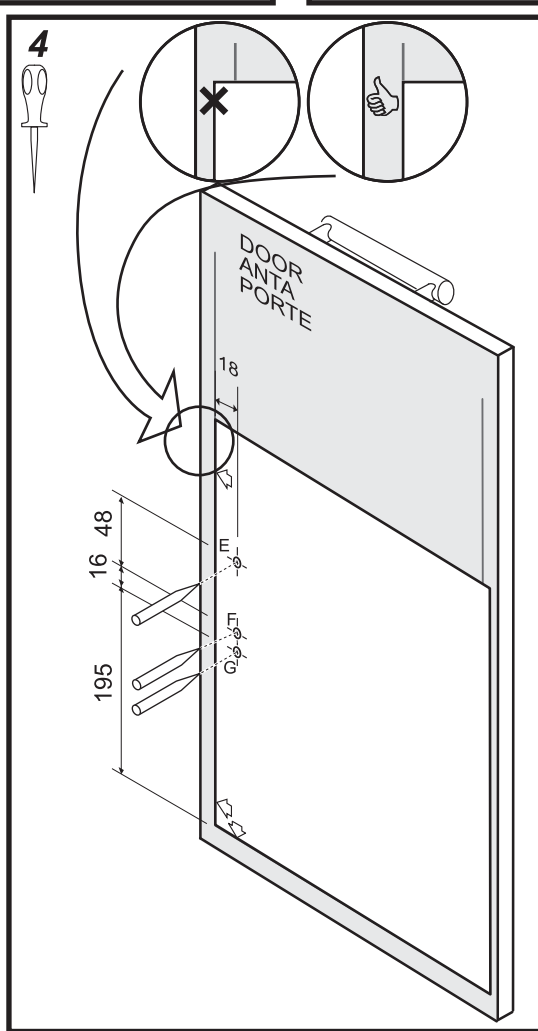
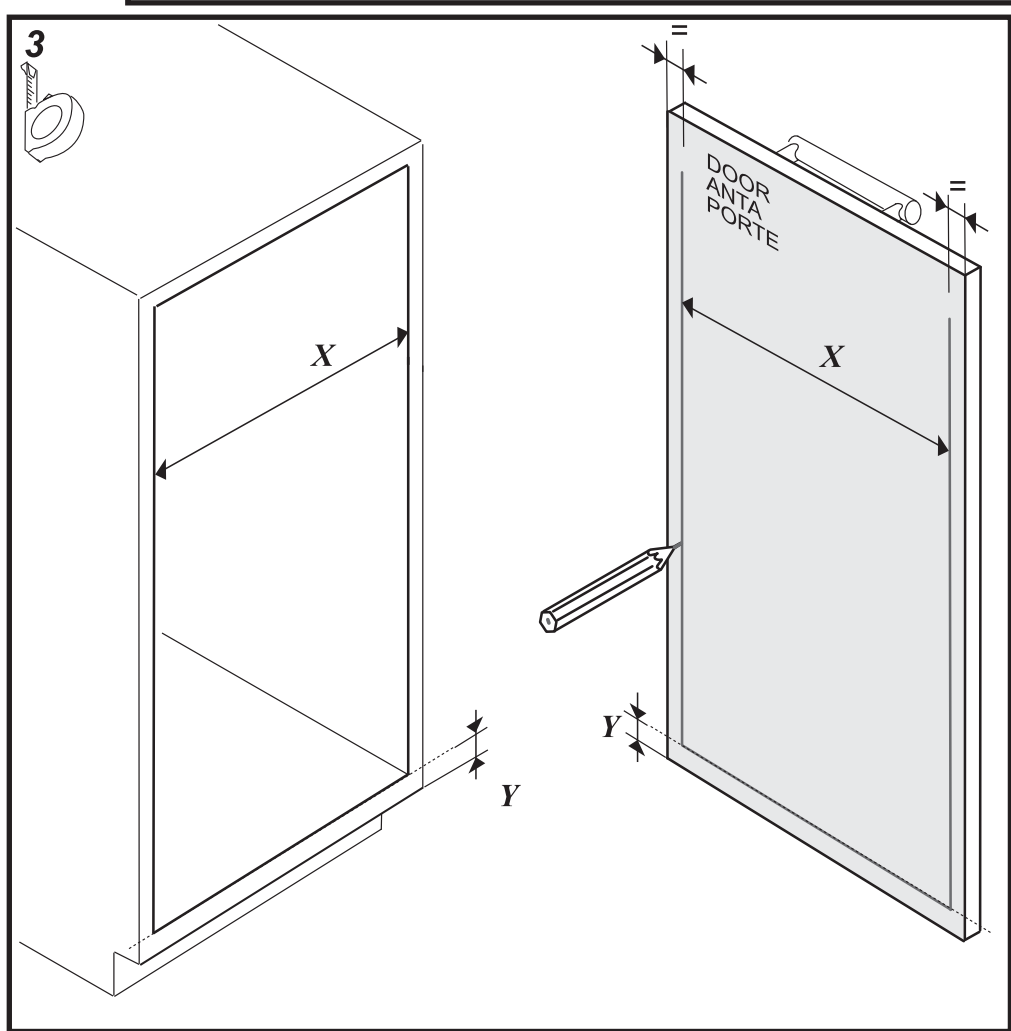
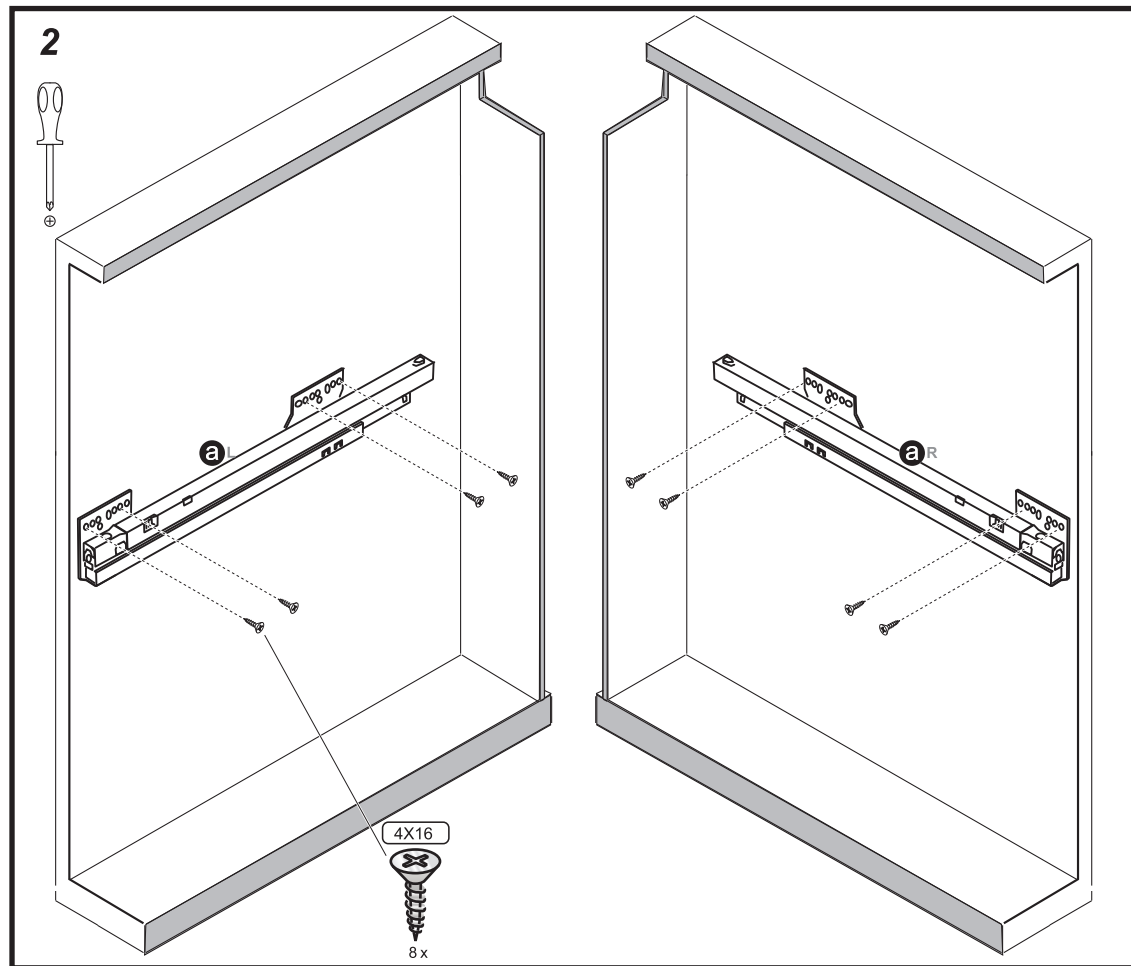
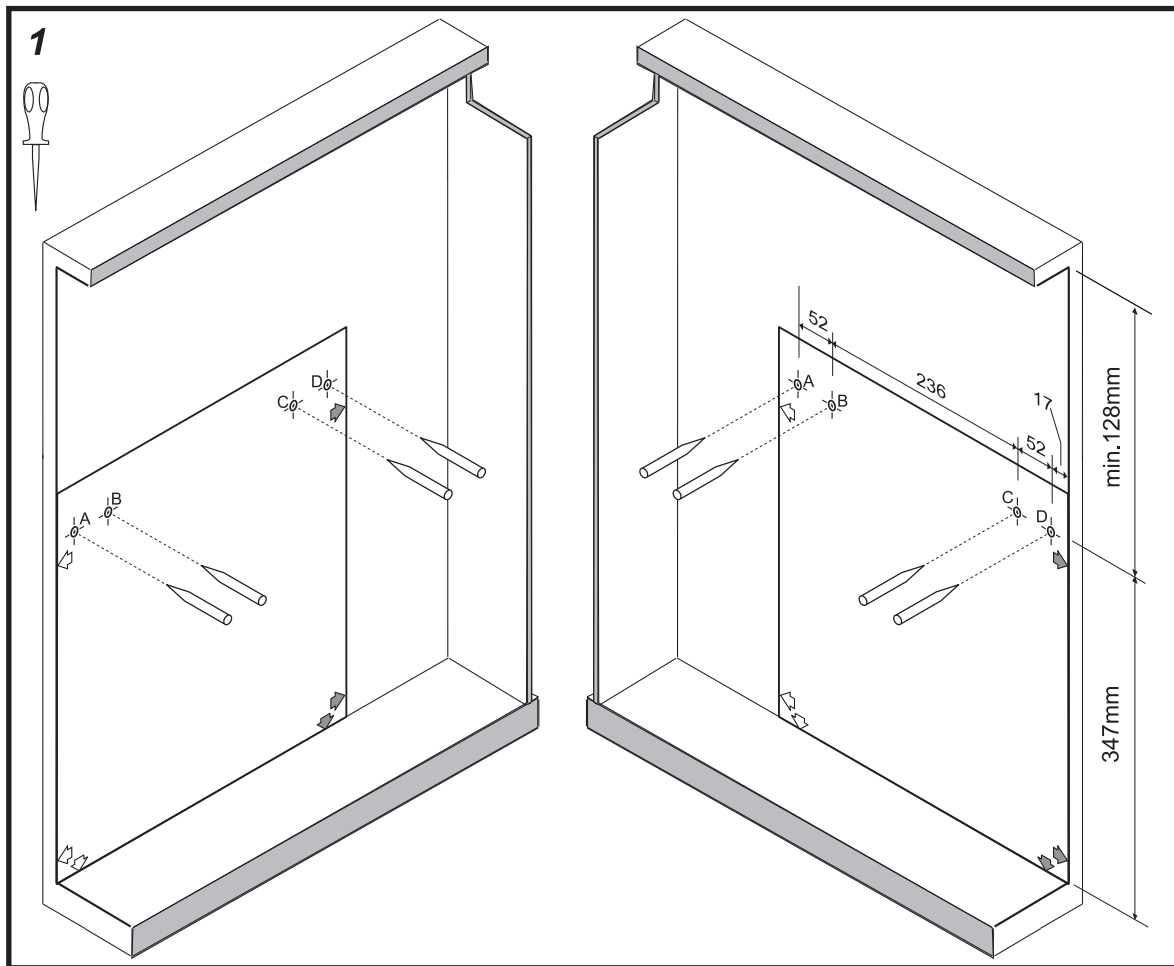
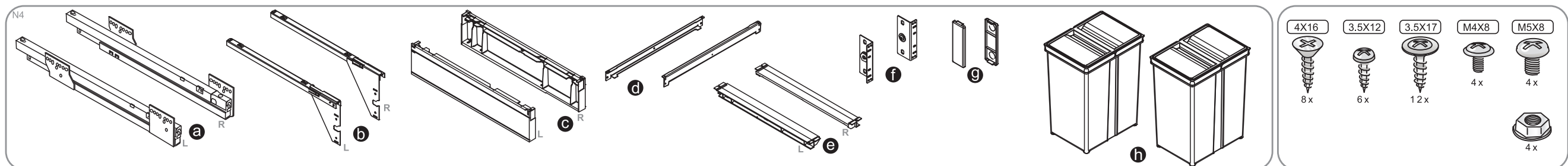
•base300mm: ART.580PL30D



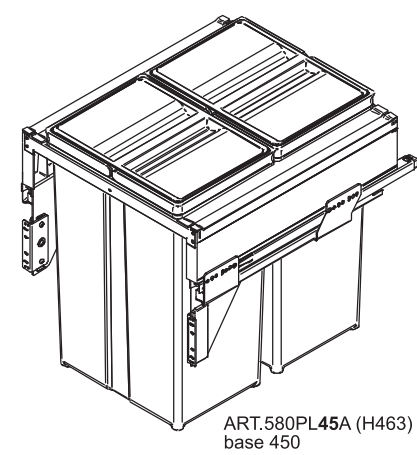
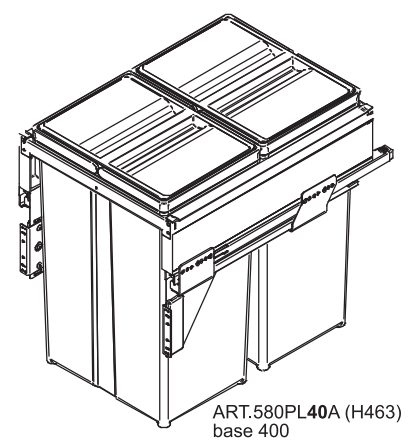
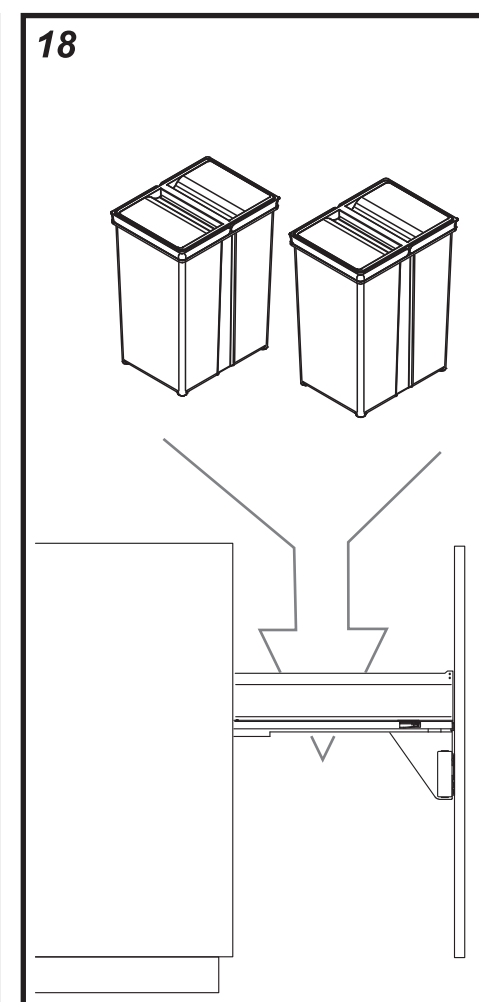
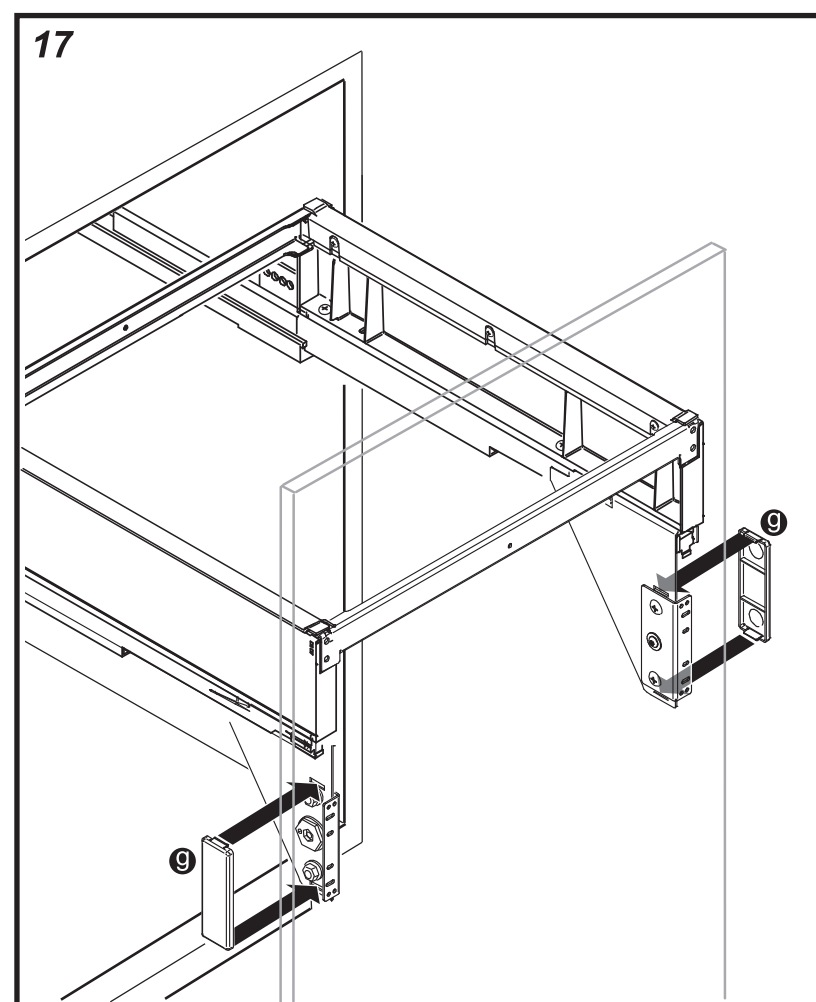
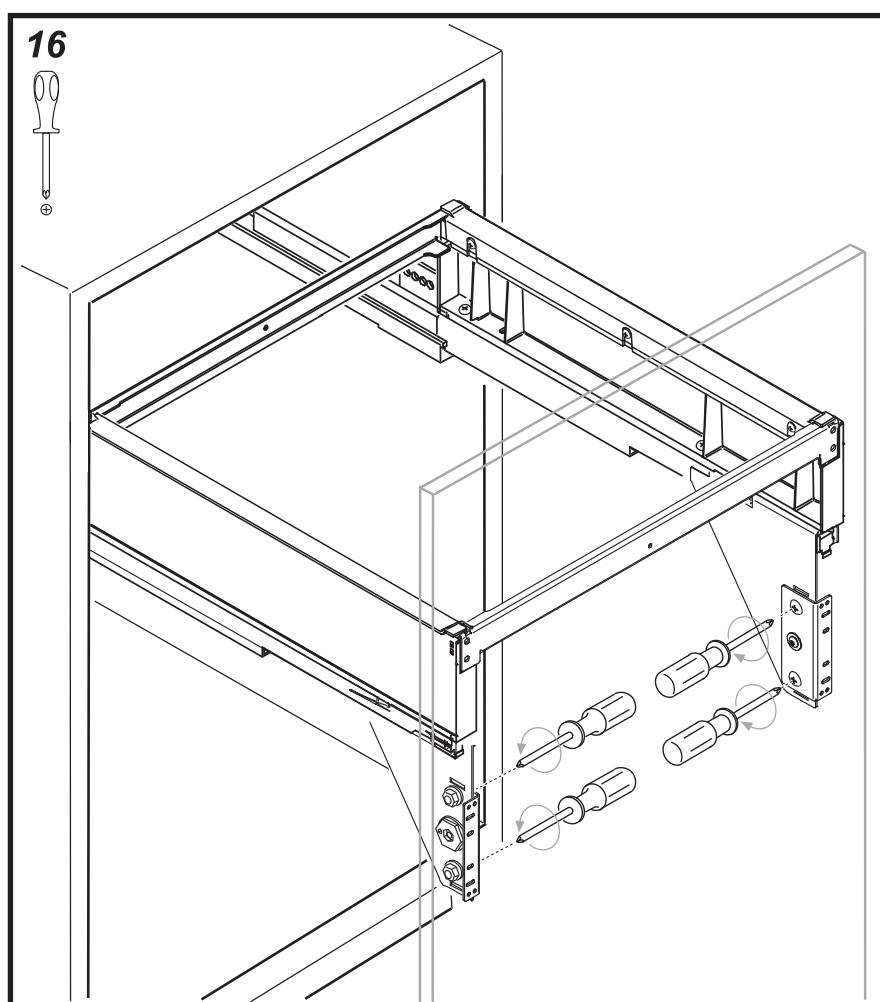
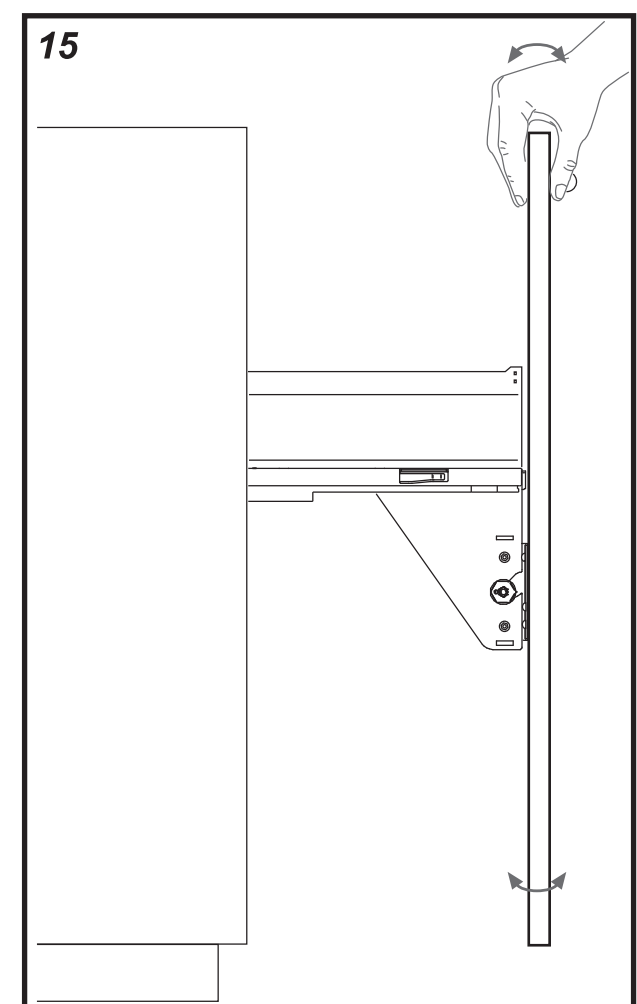
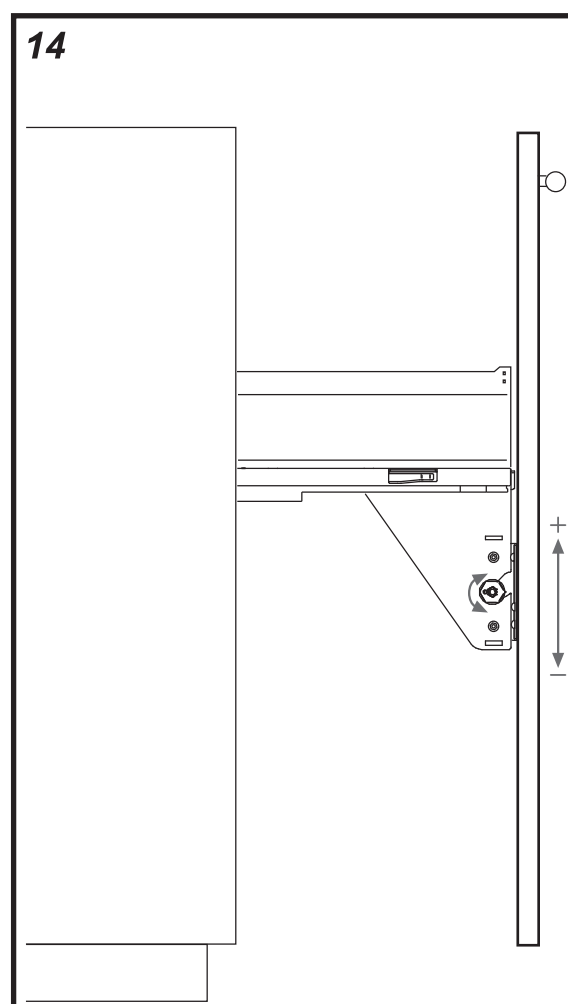
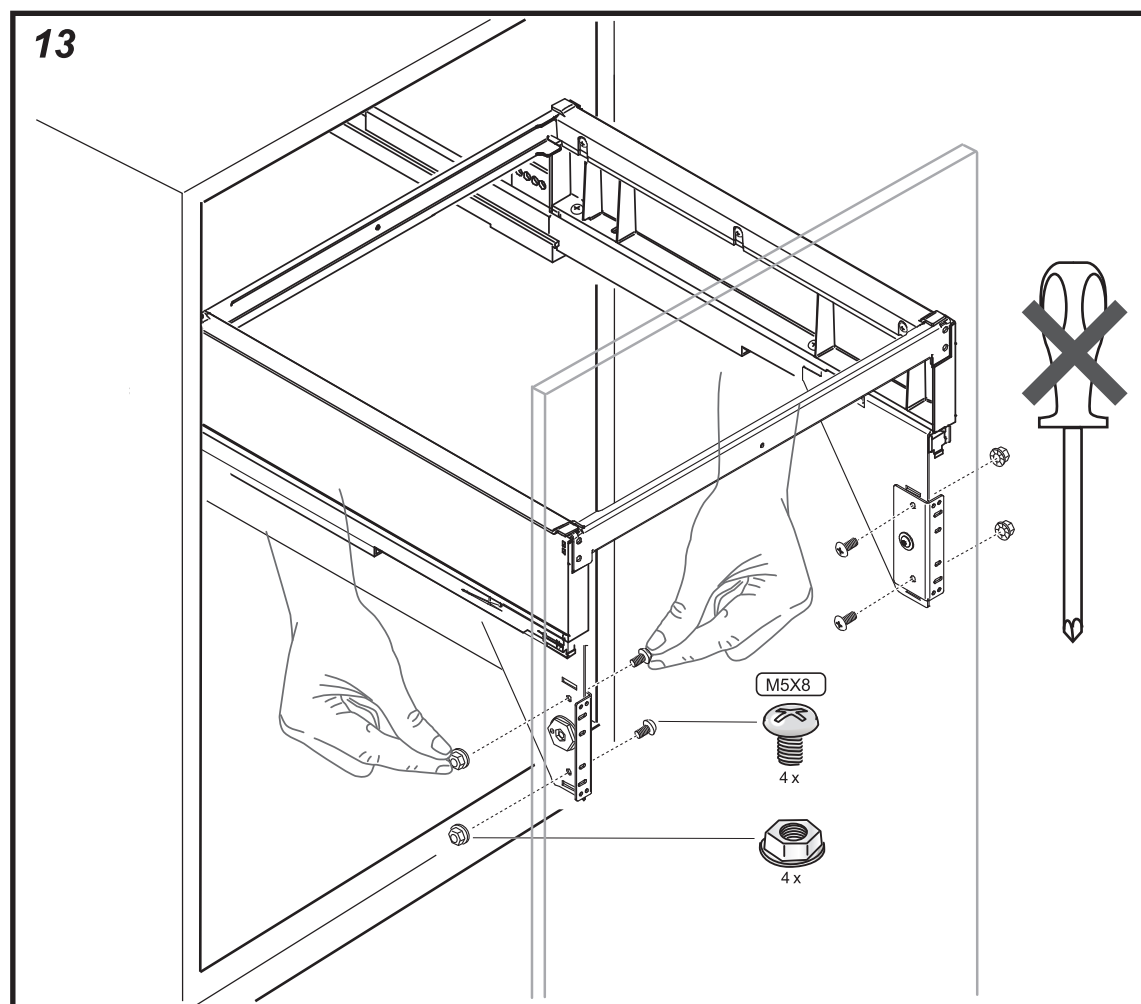
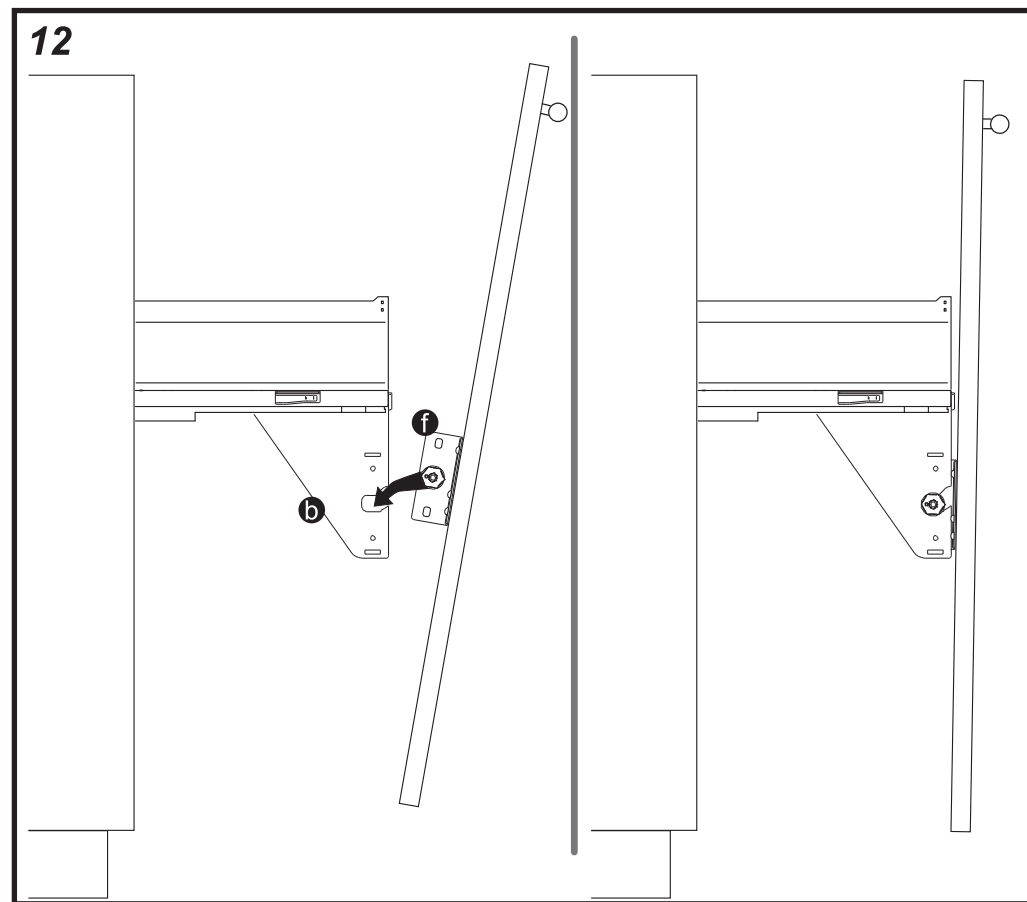
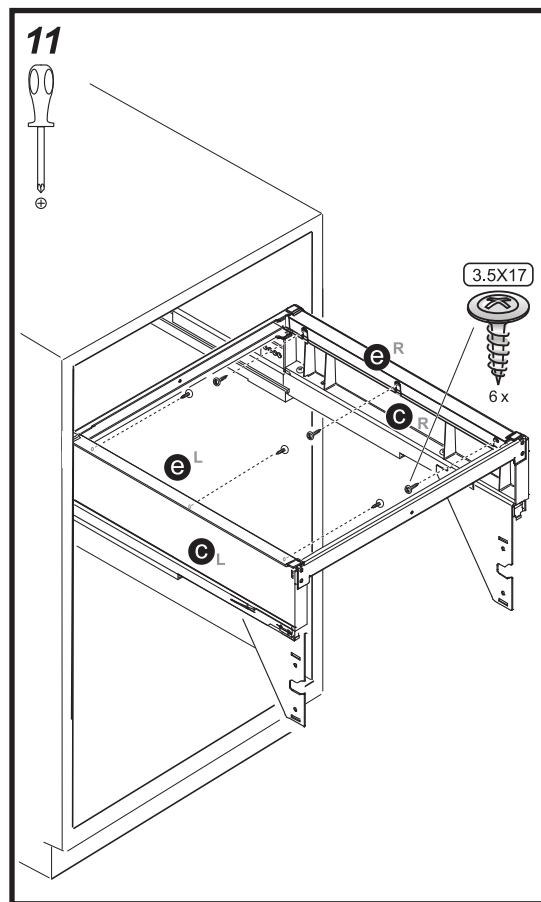
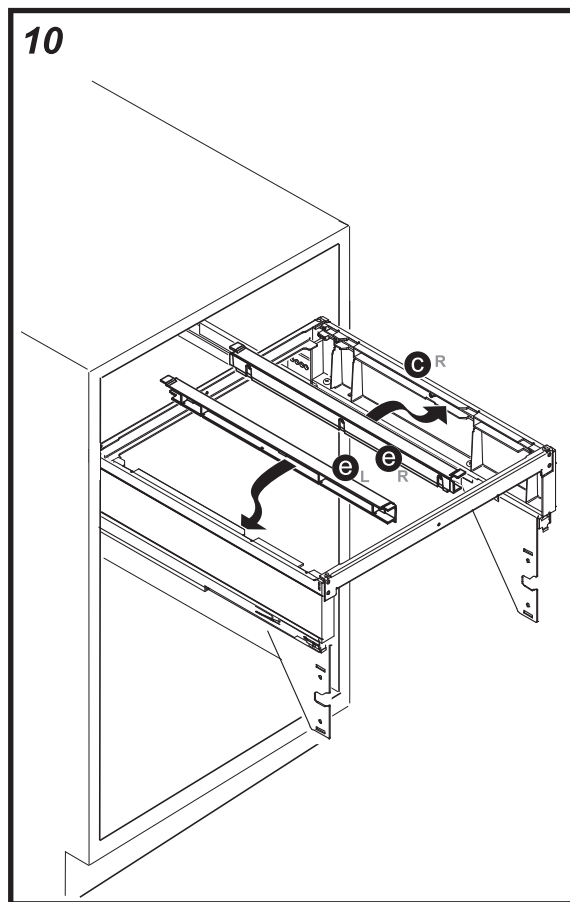
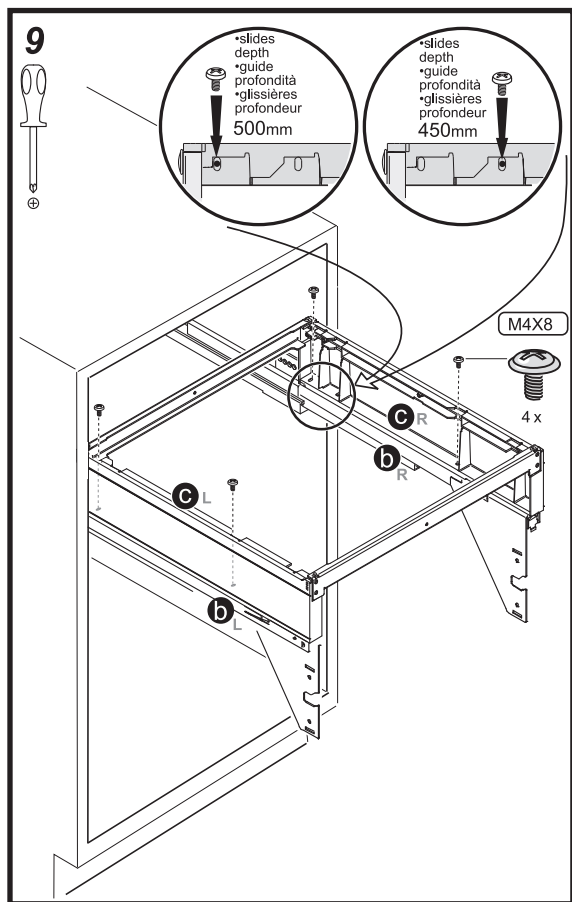
- |                |               |
|----------------|---------------|
| 4X16<br>8 x    | 3.5X12<br>6 x |
| 3.5X17<br>12 x | M4X8<br>4 x   |
| M5X8<br>4 x    | 4 x           |



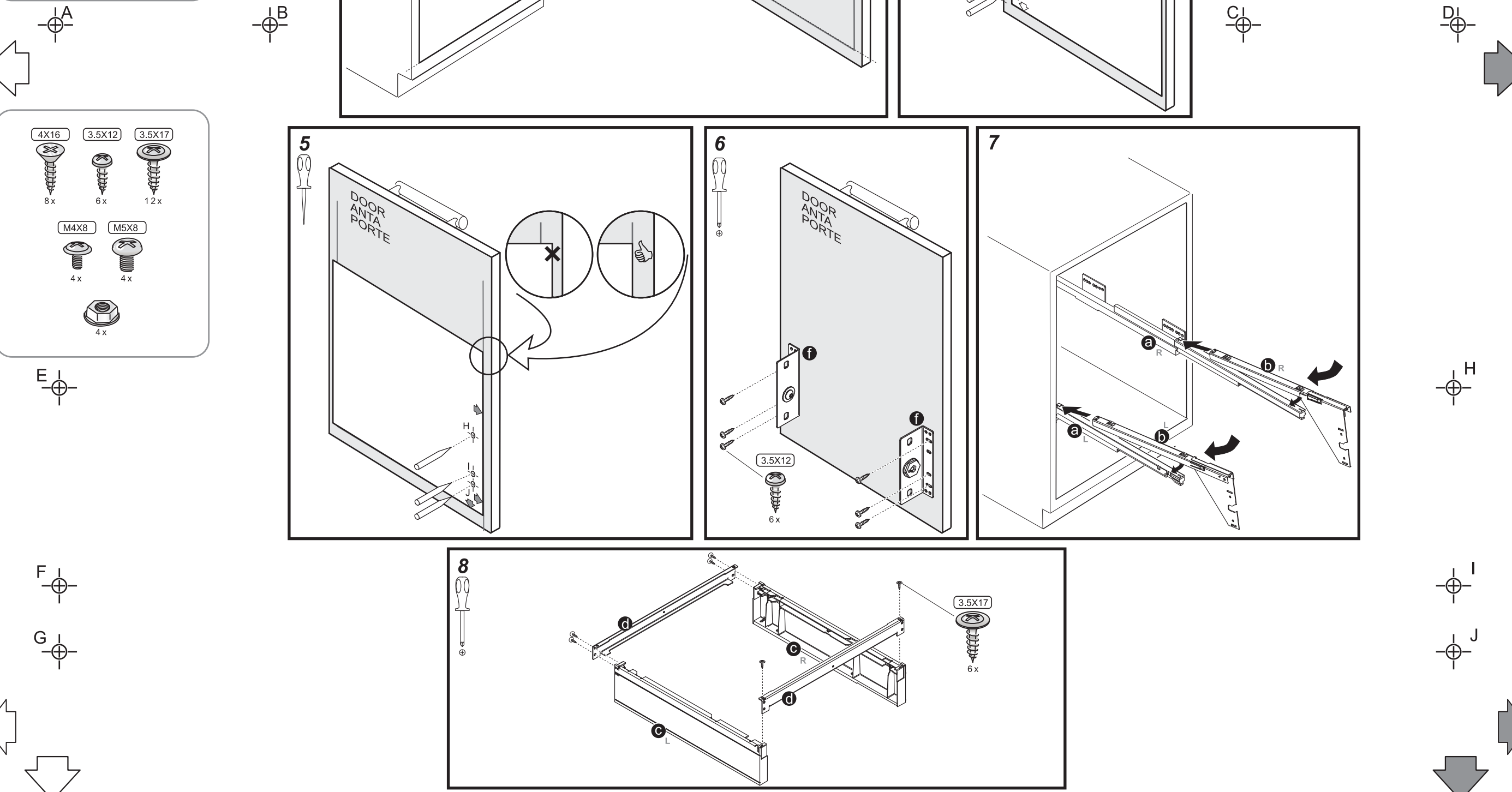
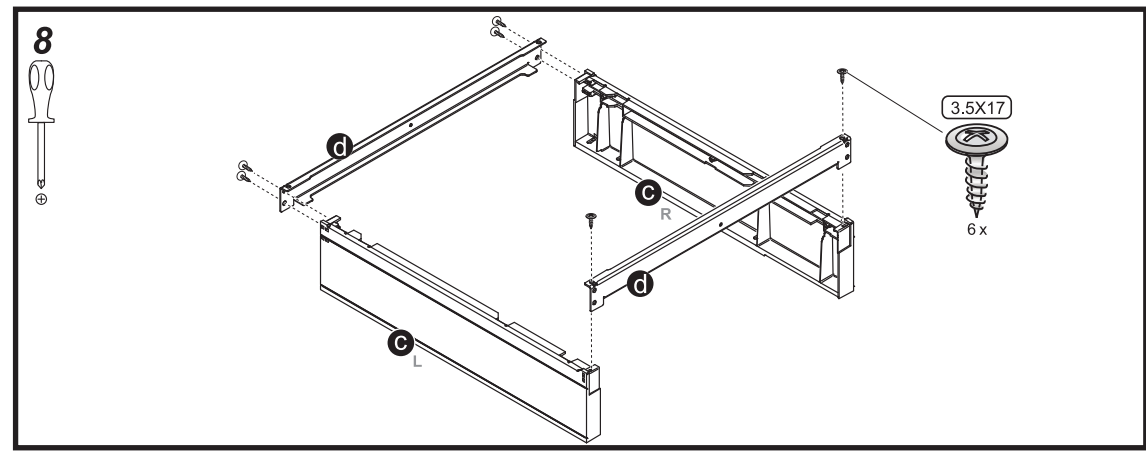
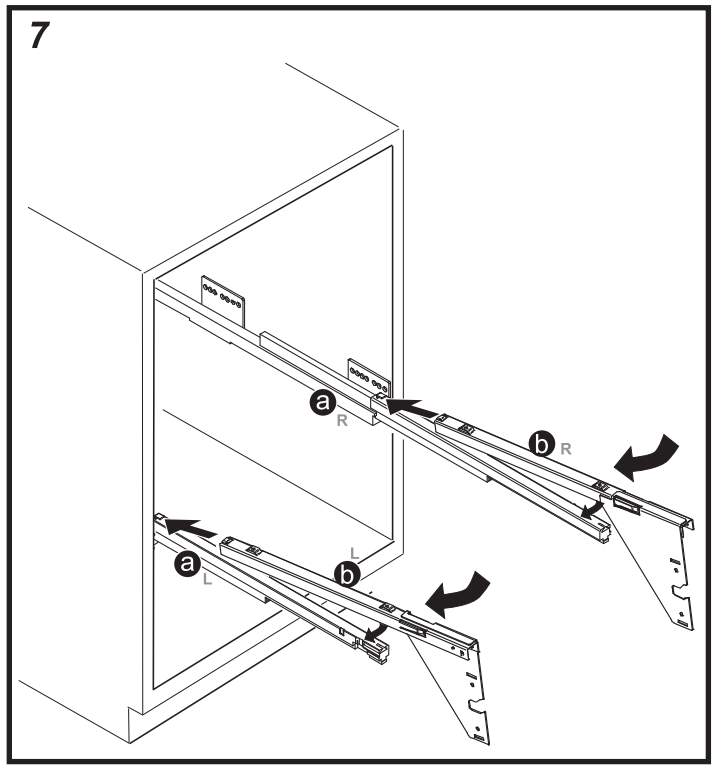
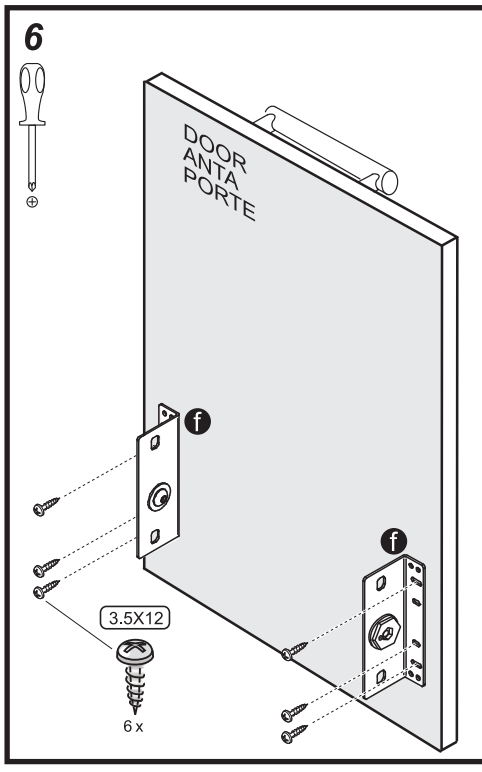
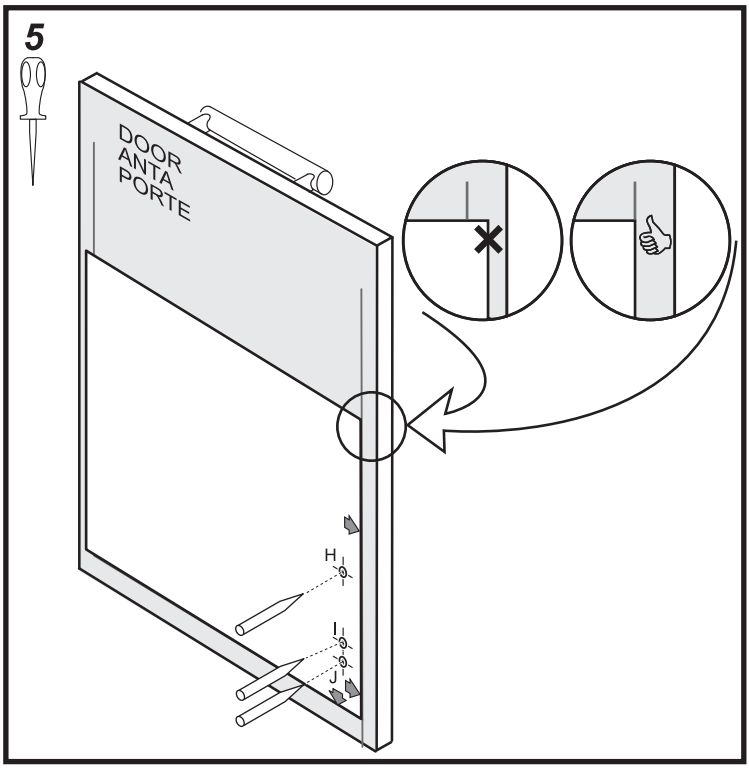
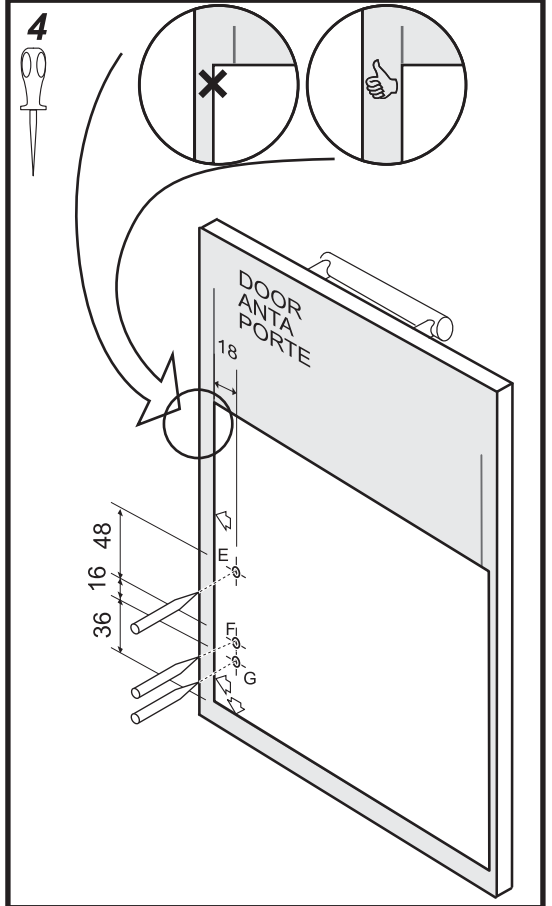
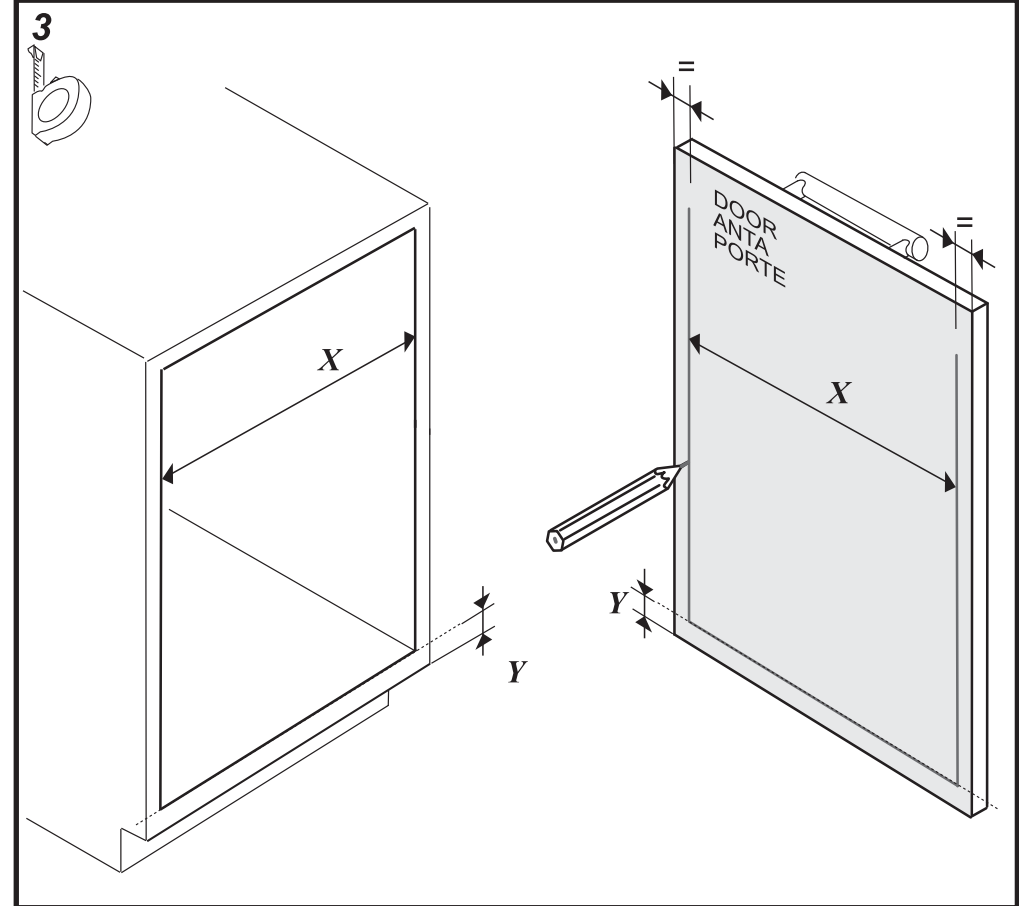
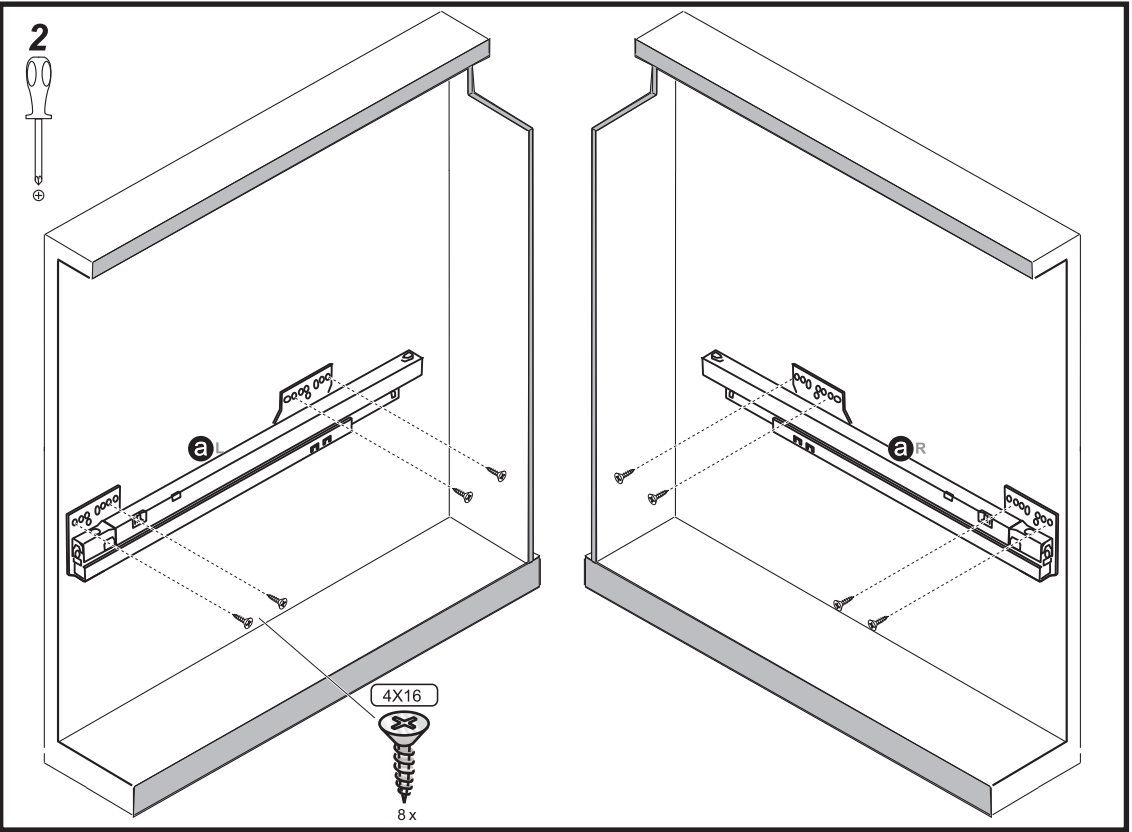
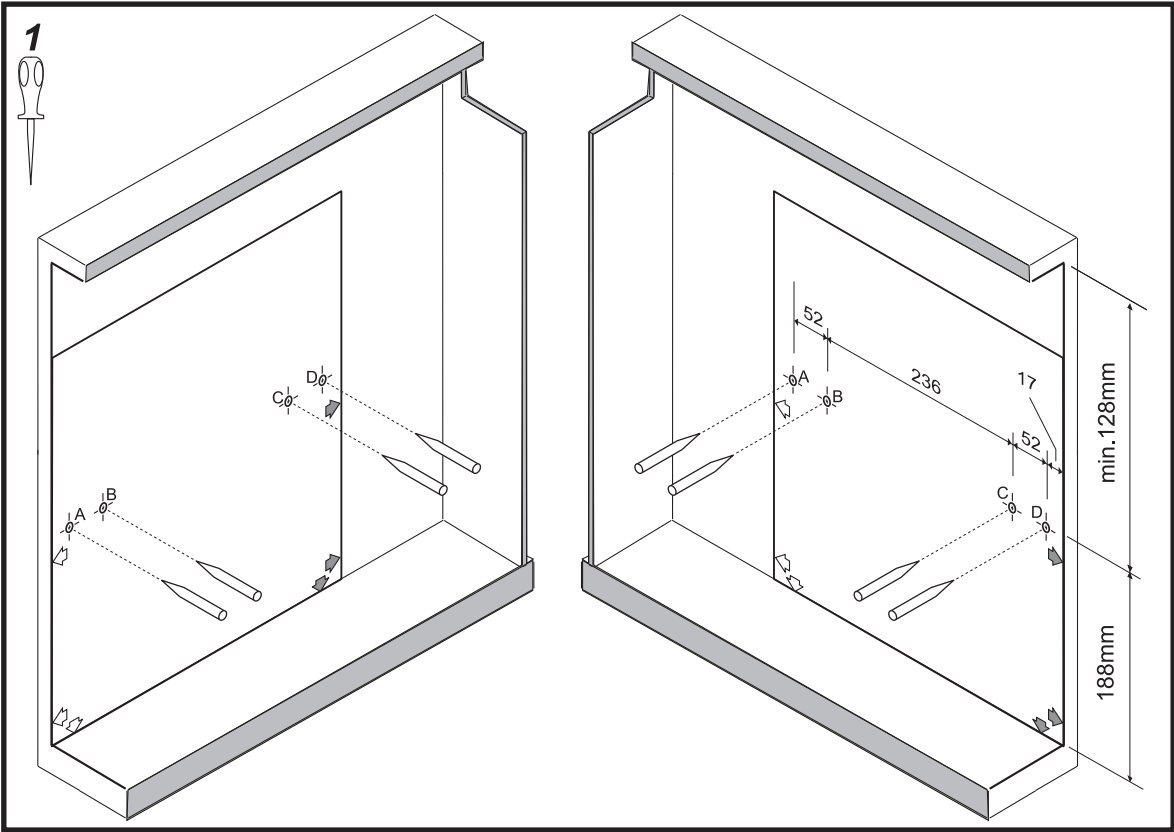
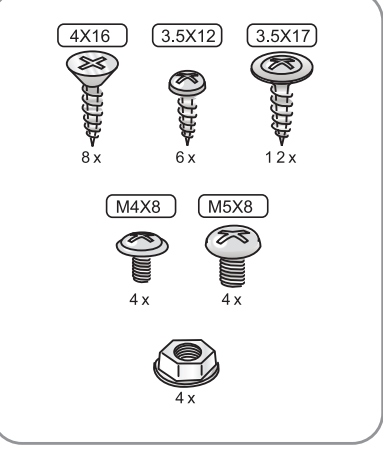
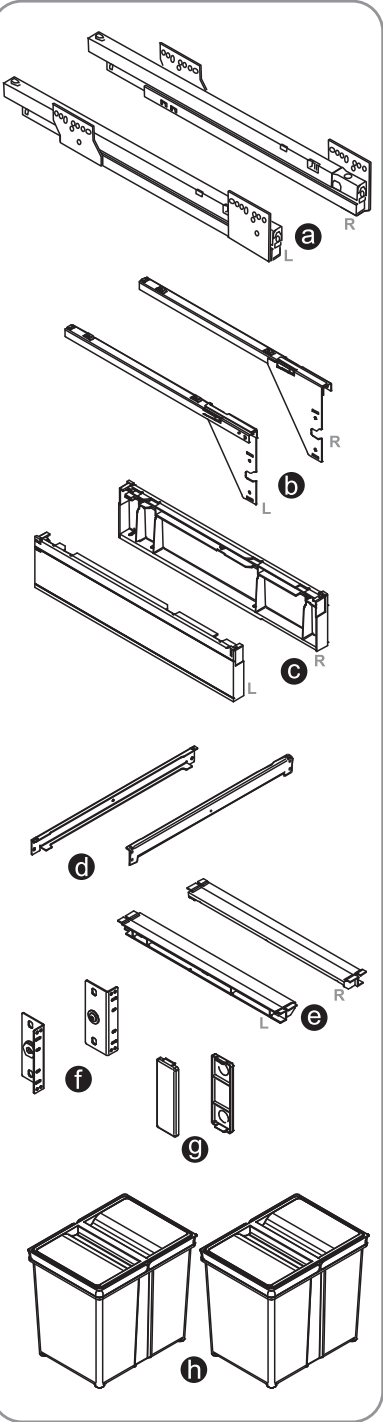




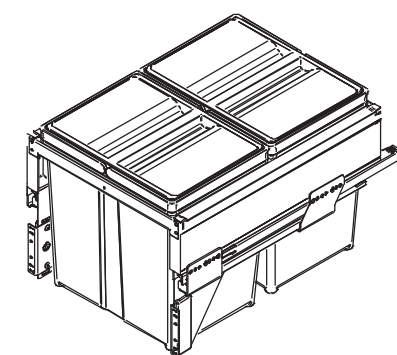
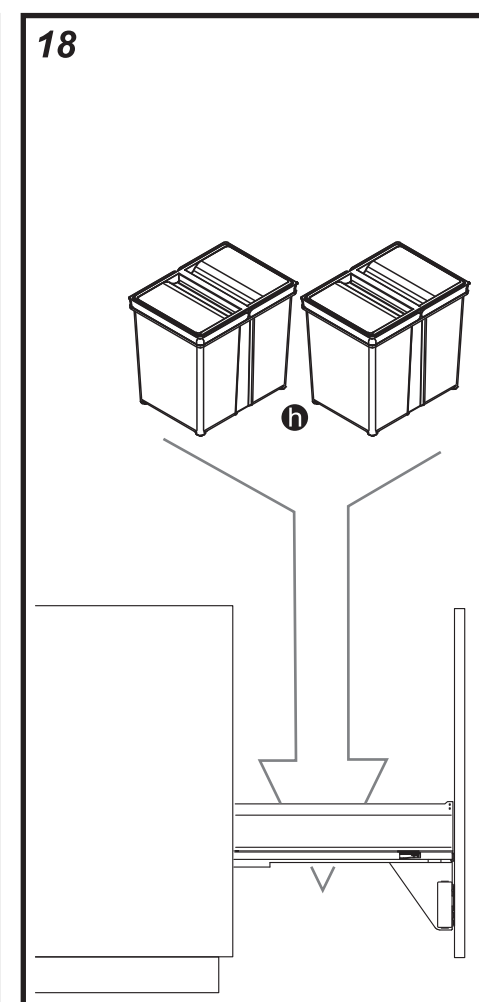
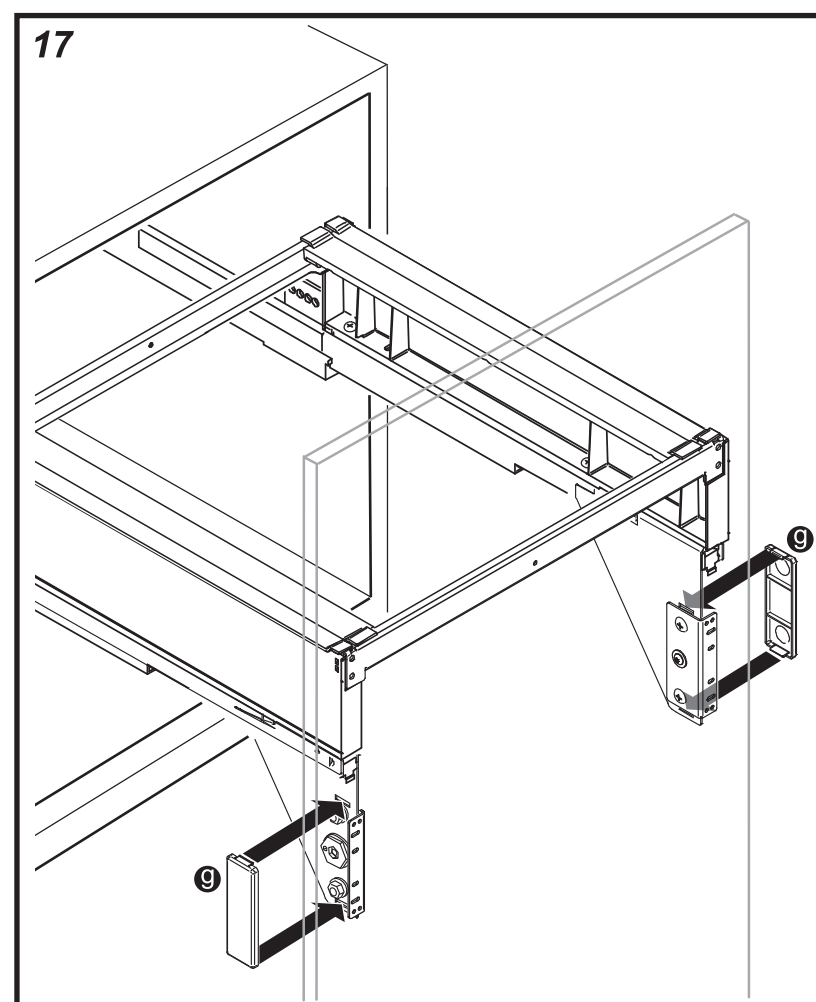
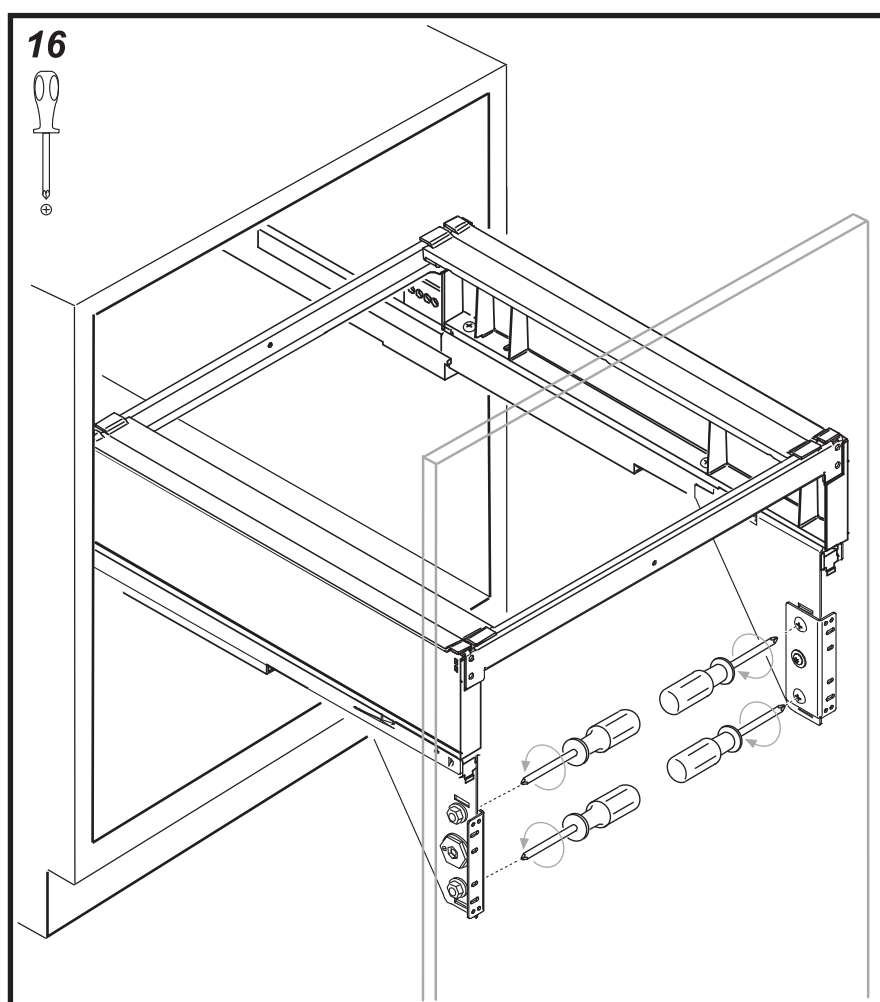
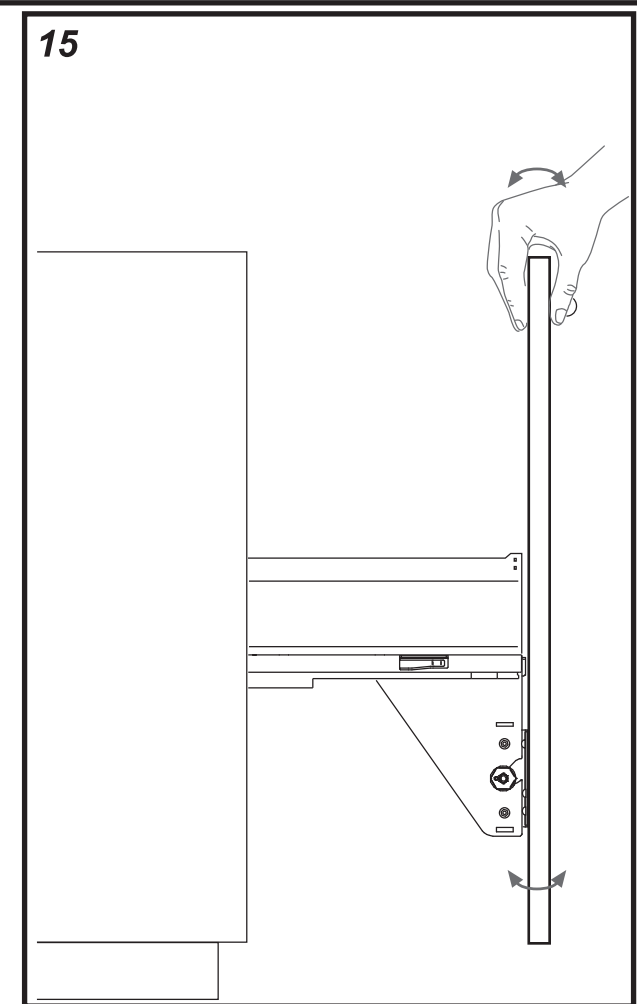
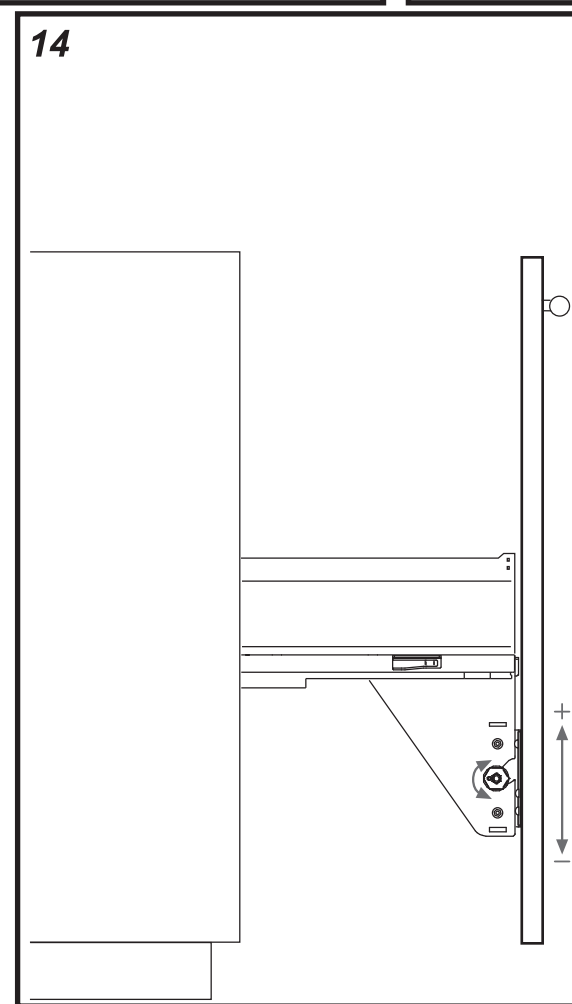
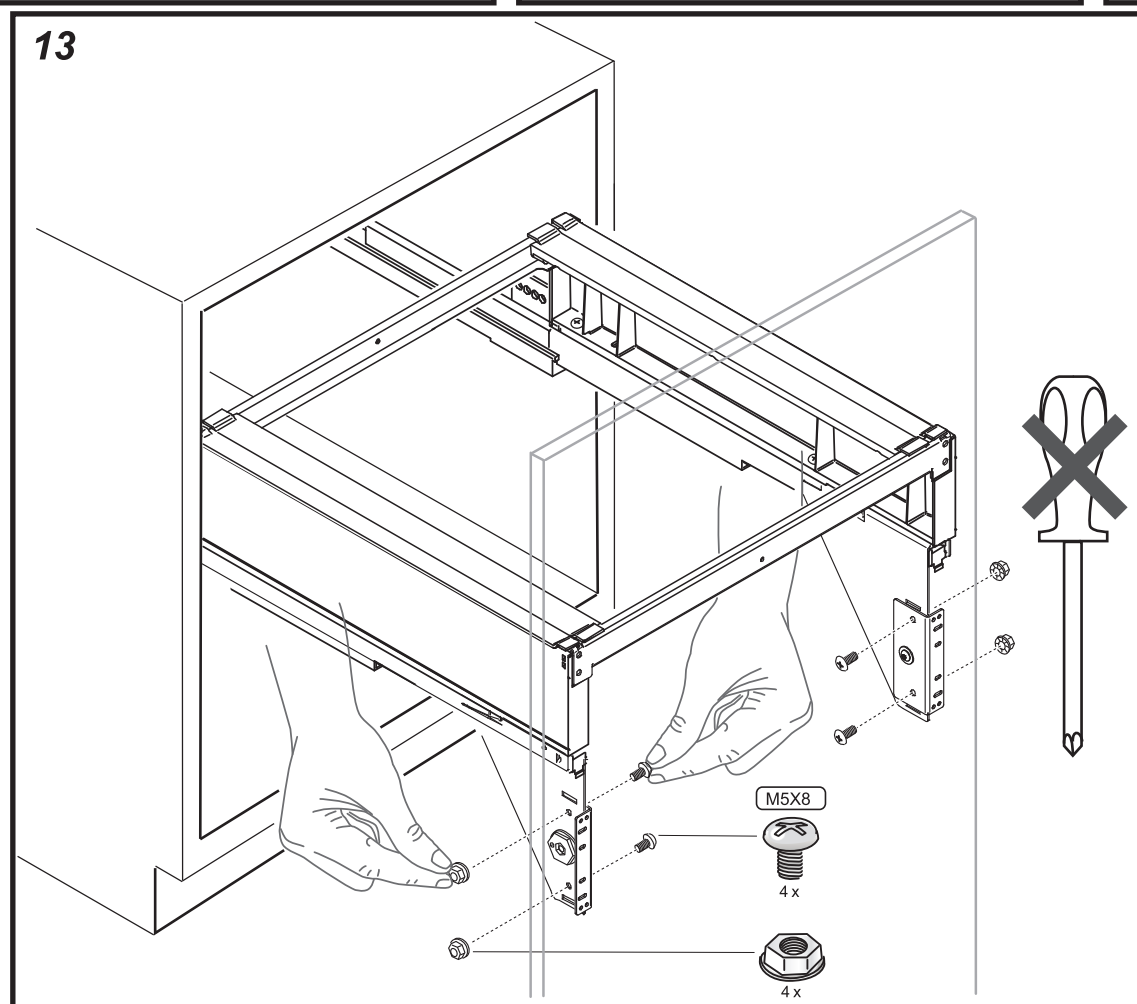
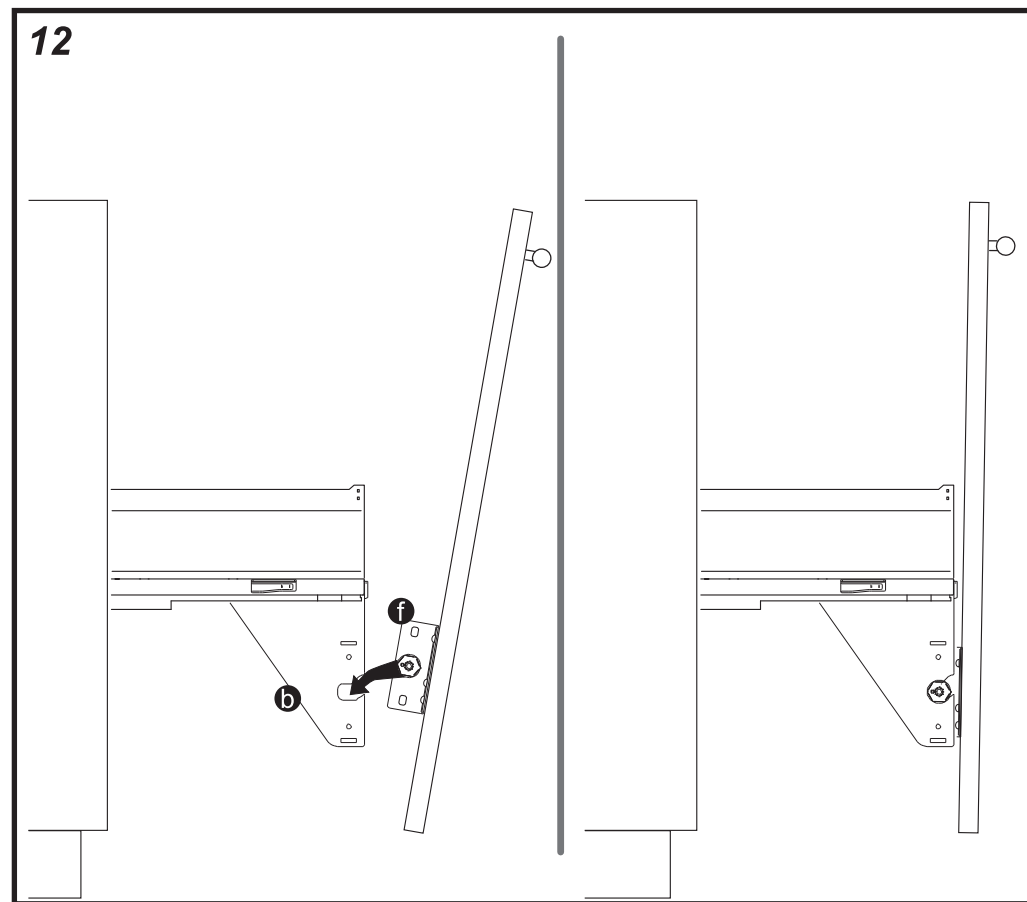
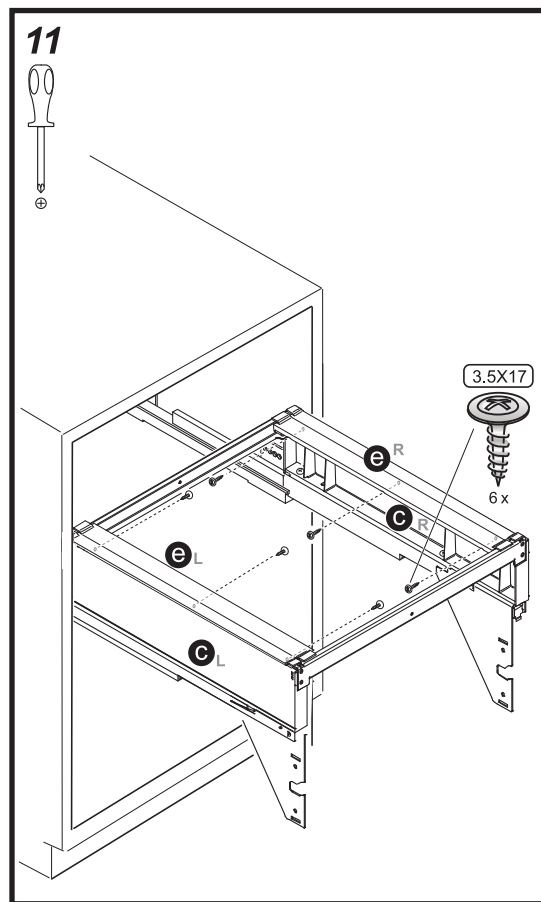
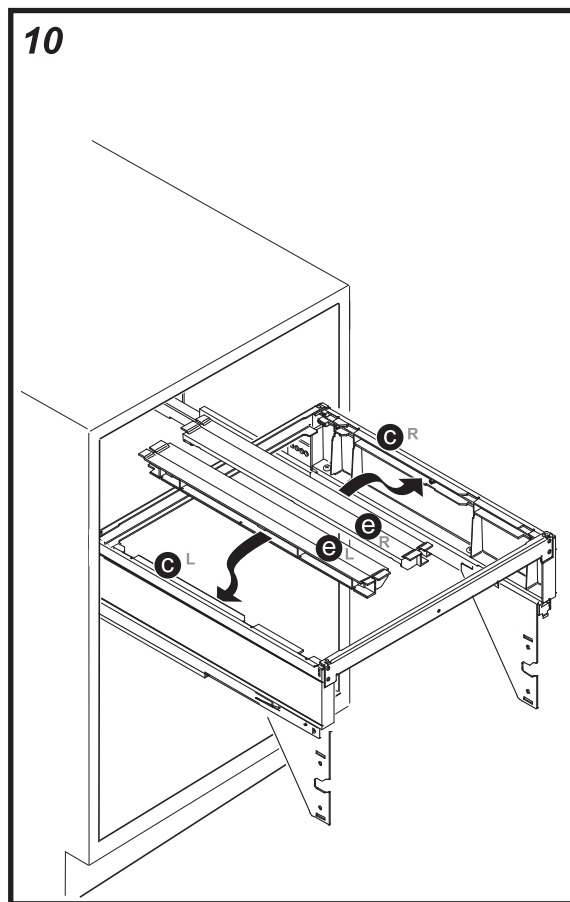
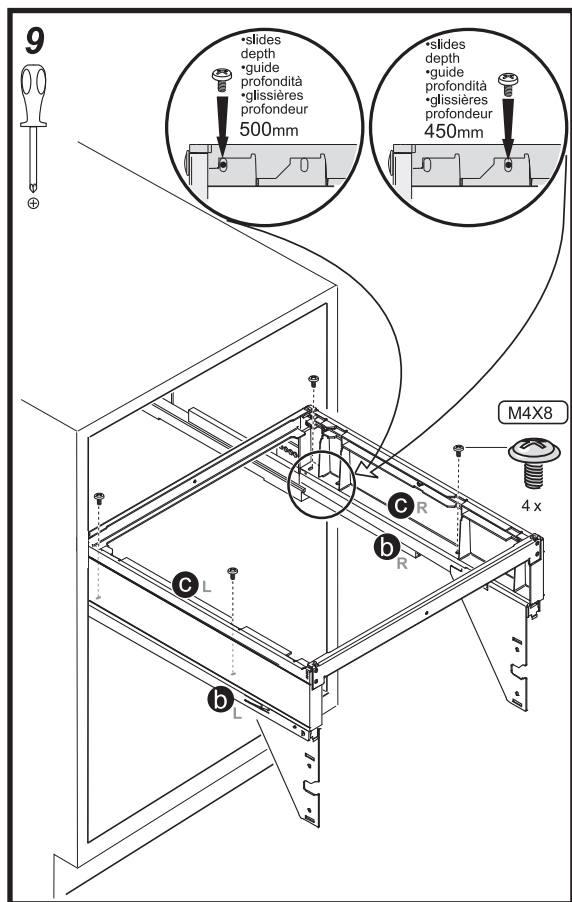




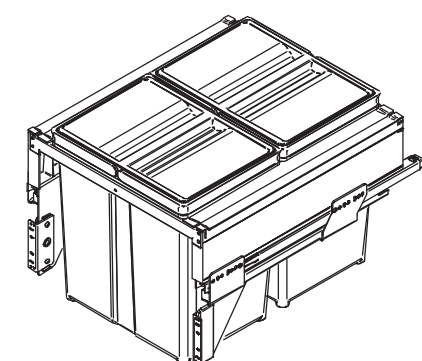
•base400mm: ART.580PL40B  
 •base450mm: ART.580PL45B





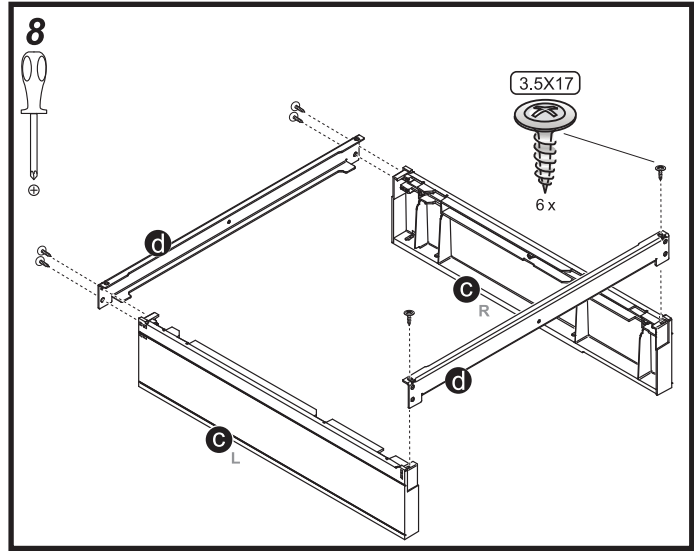
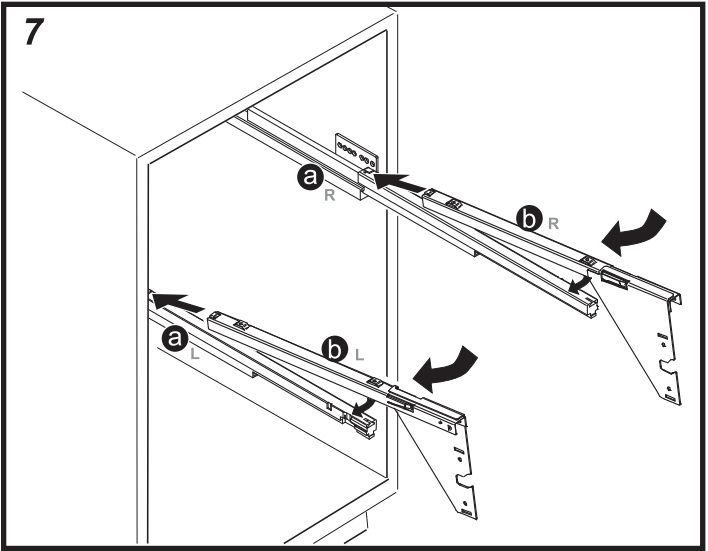
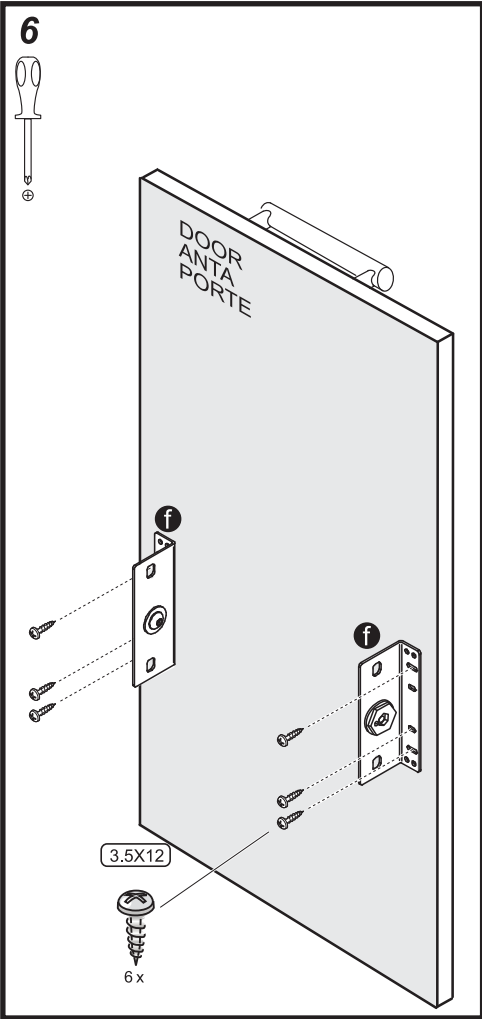
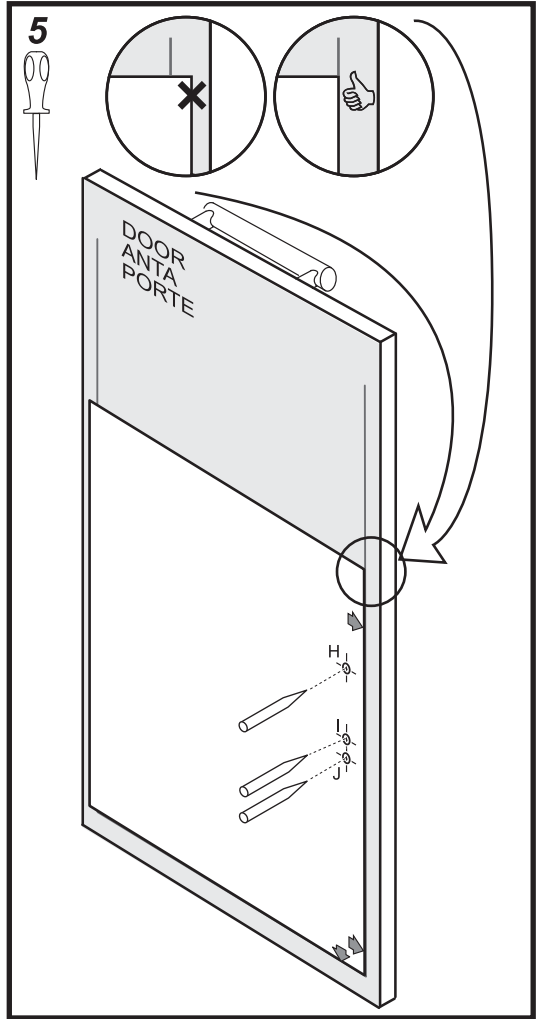
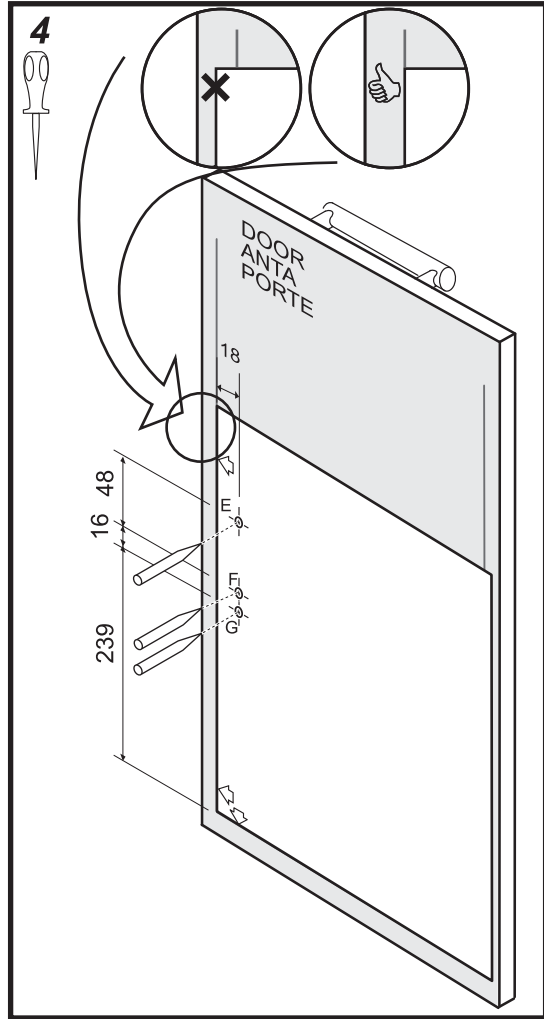
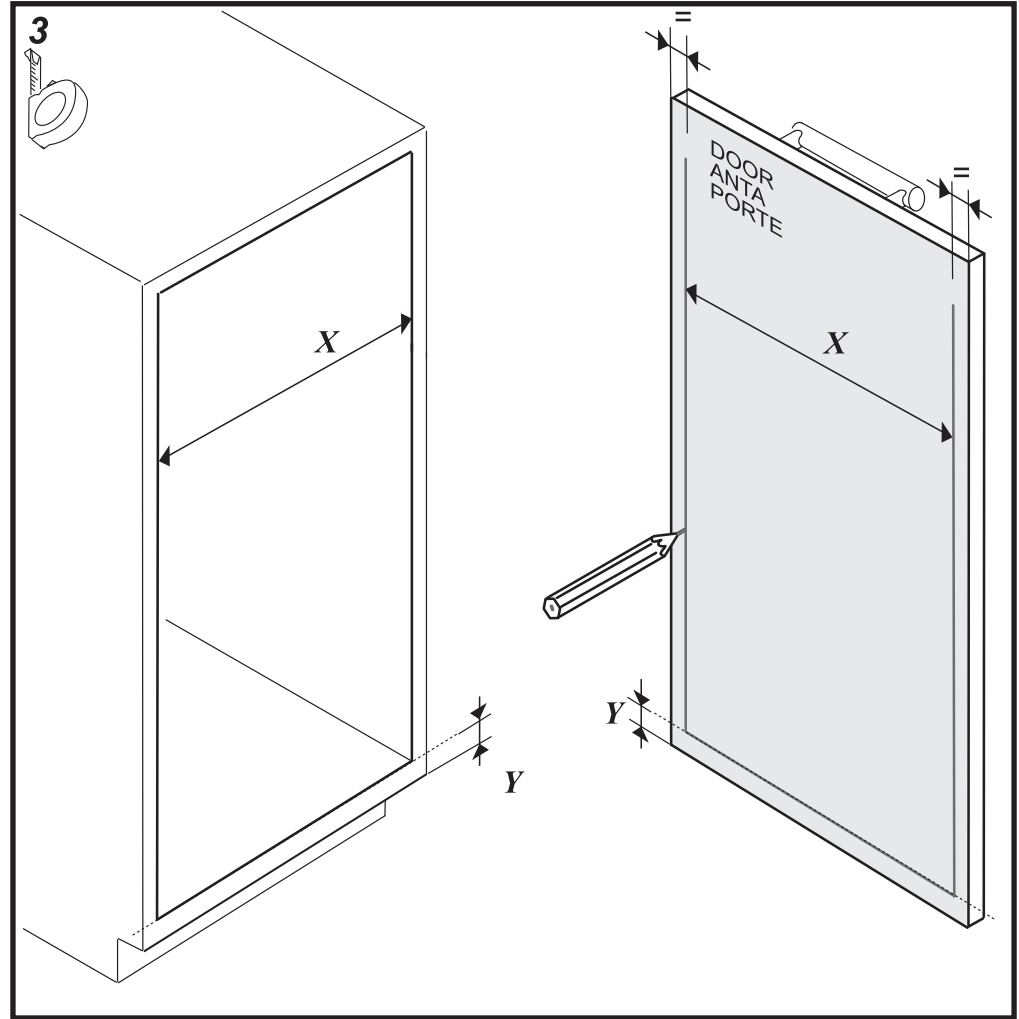
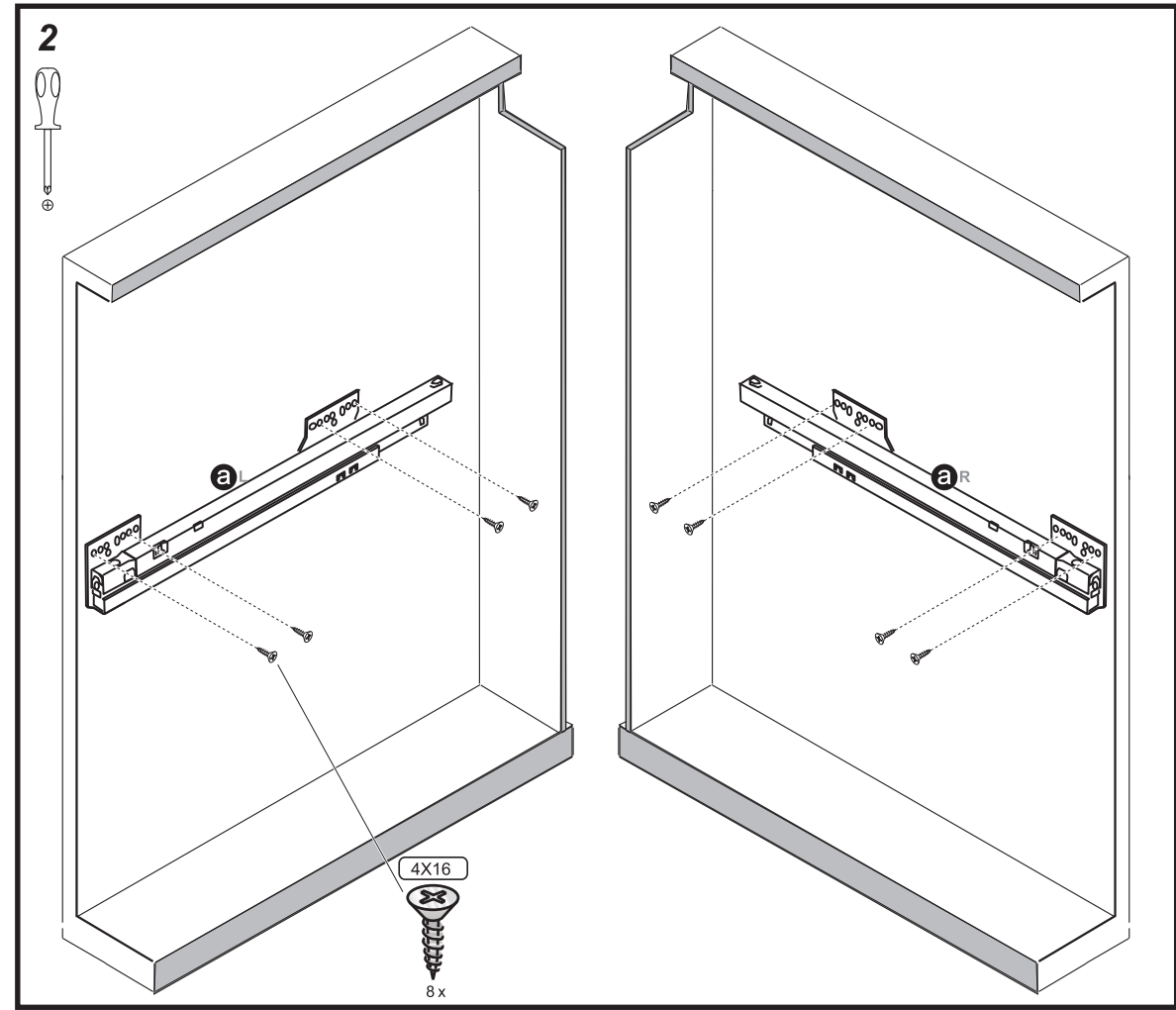
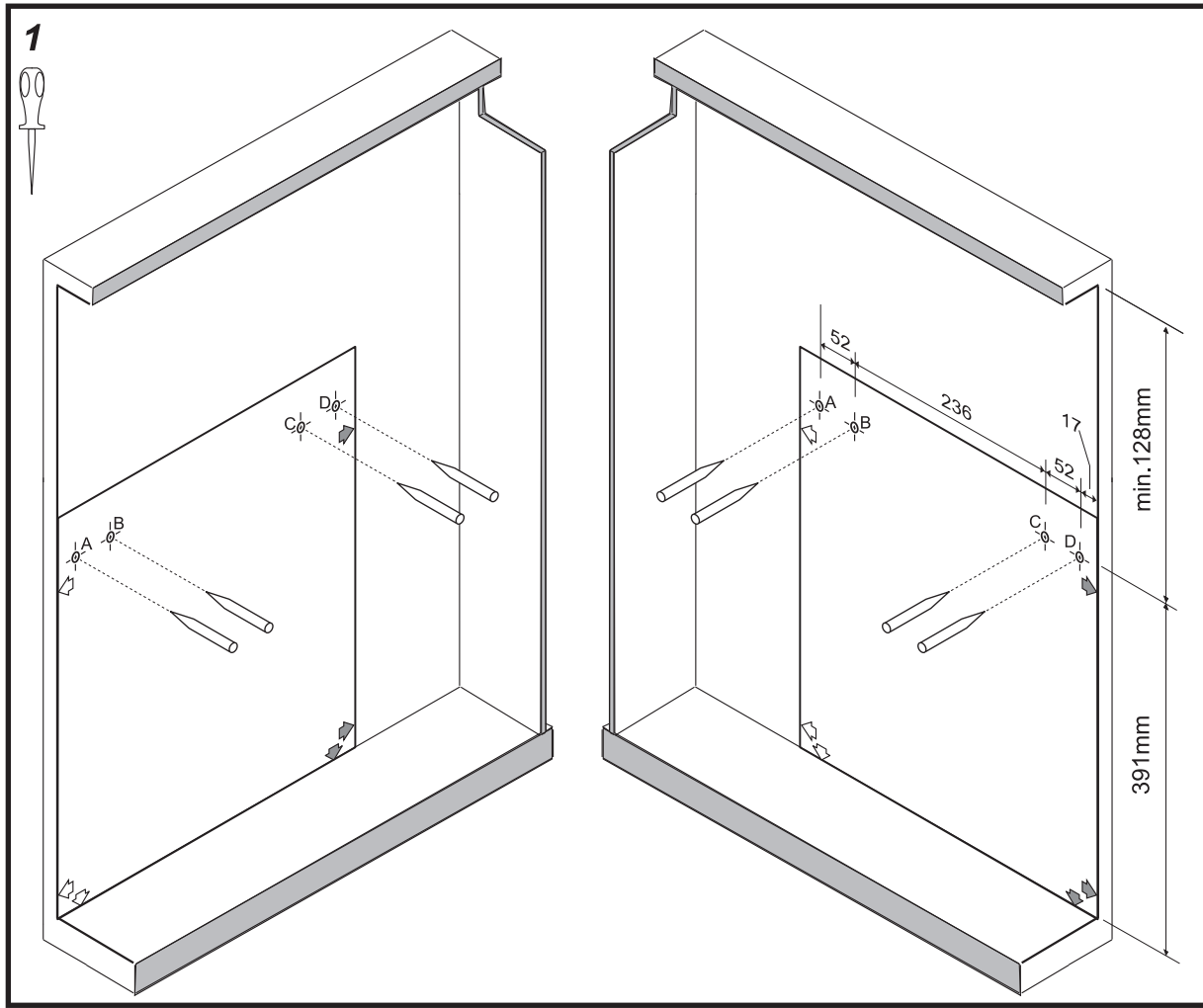
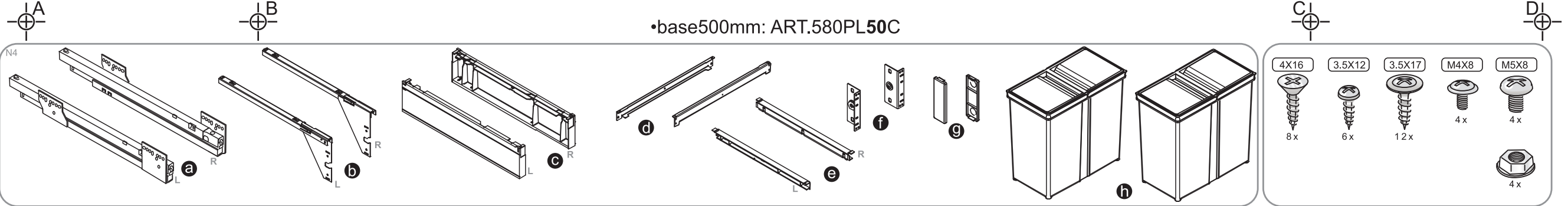


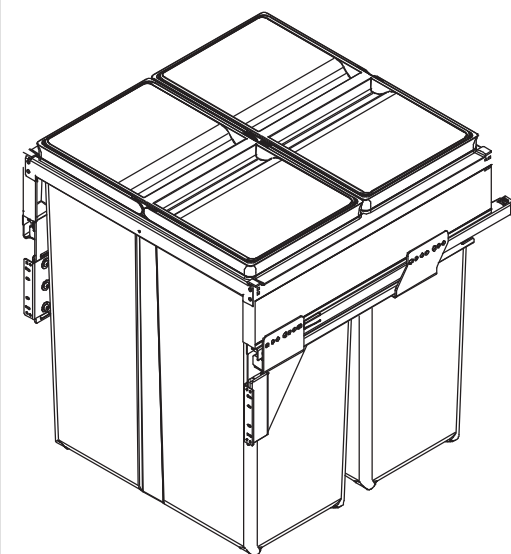
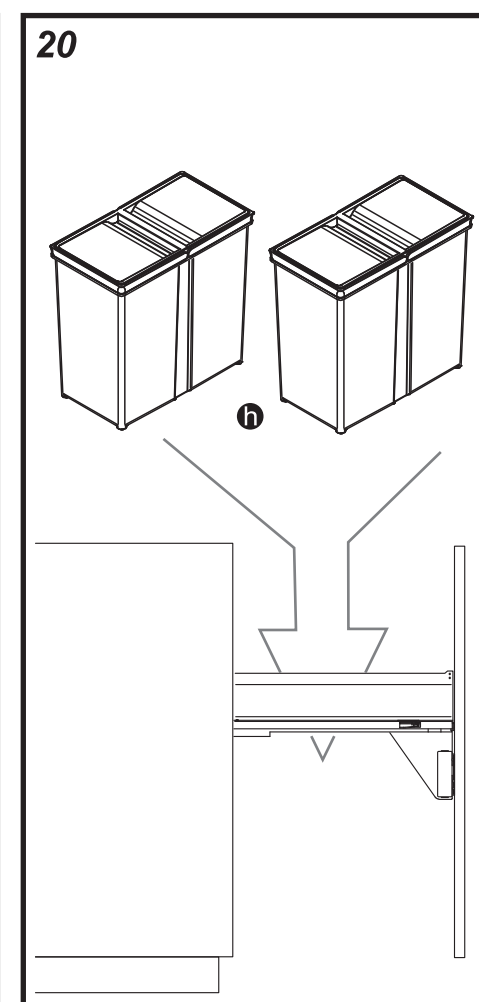
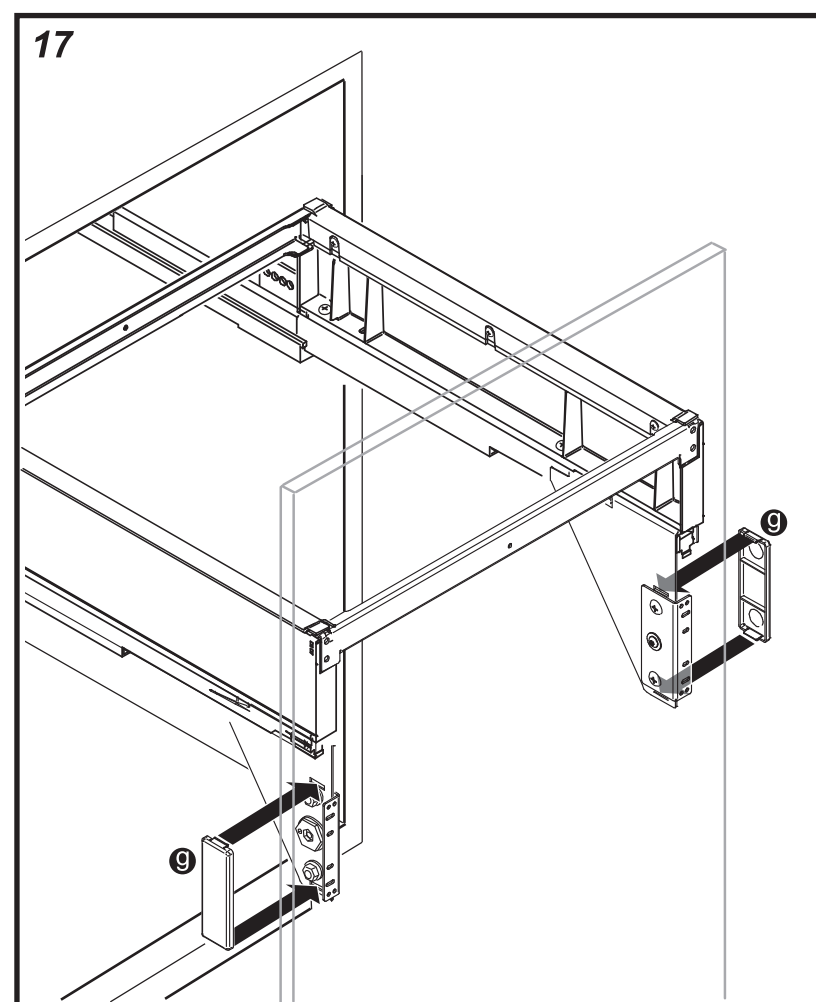
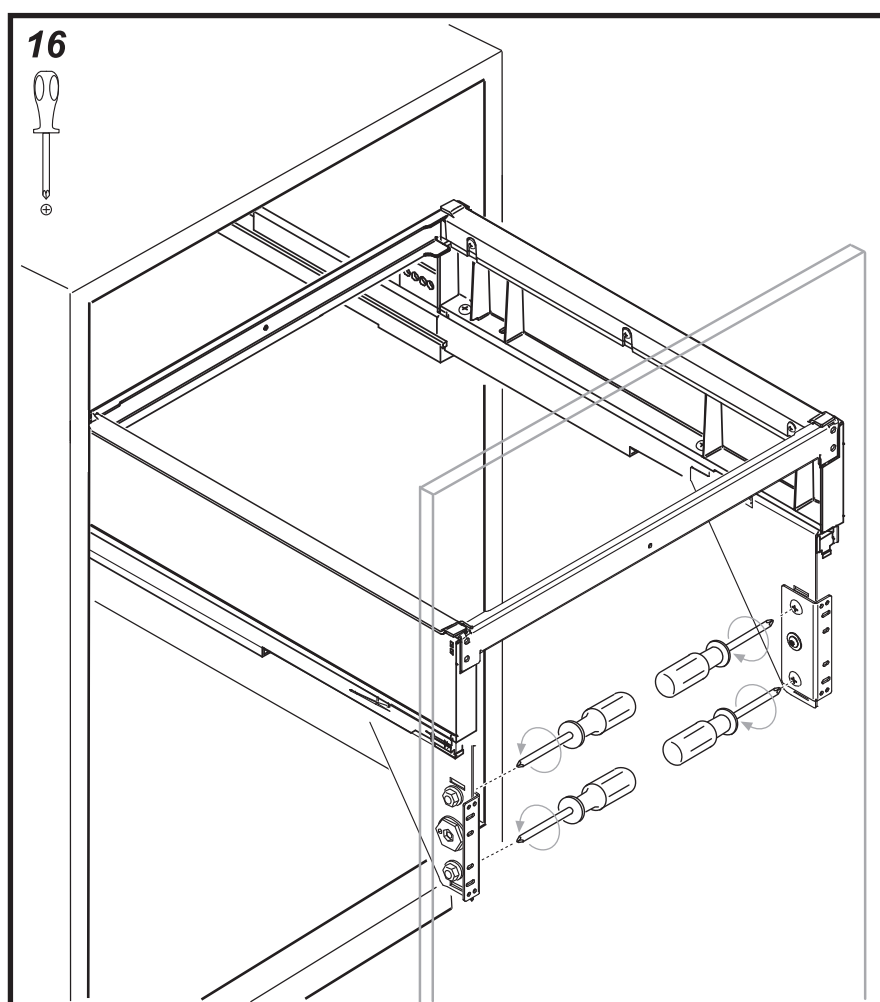
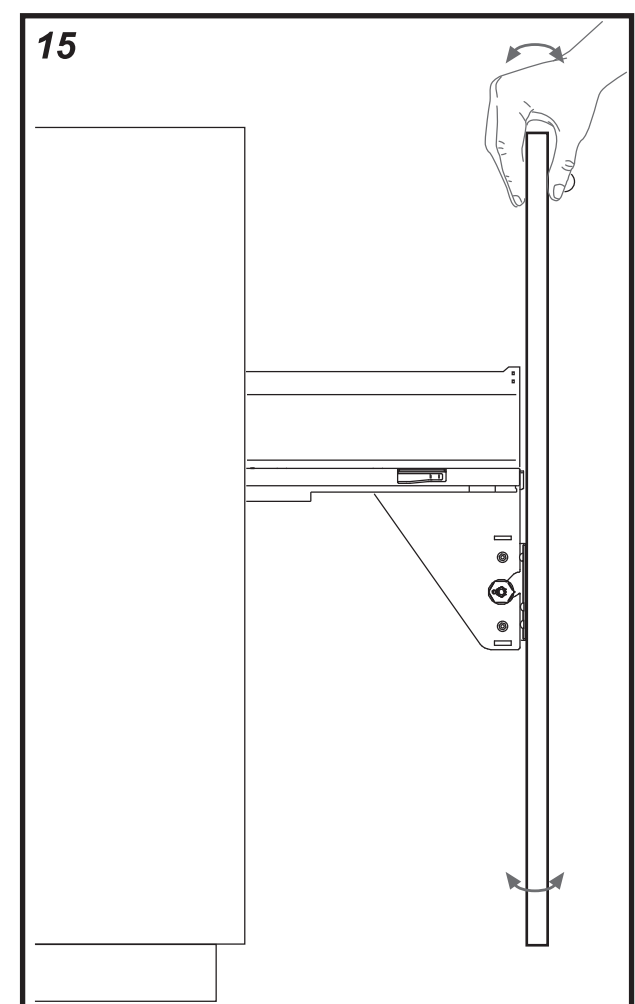
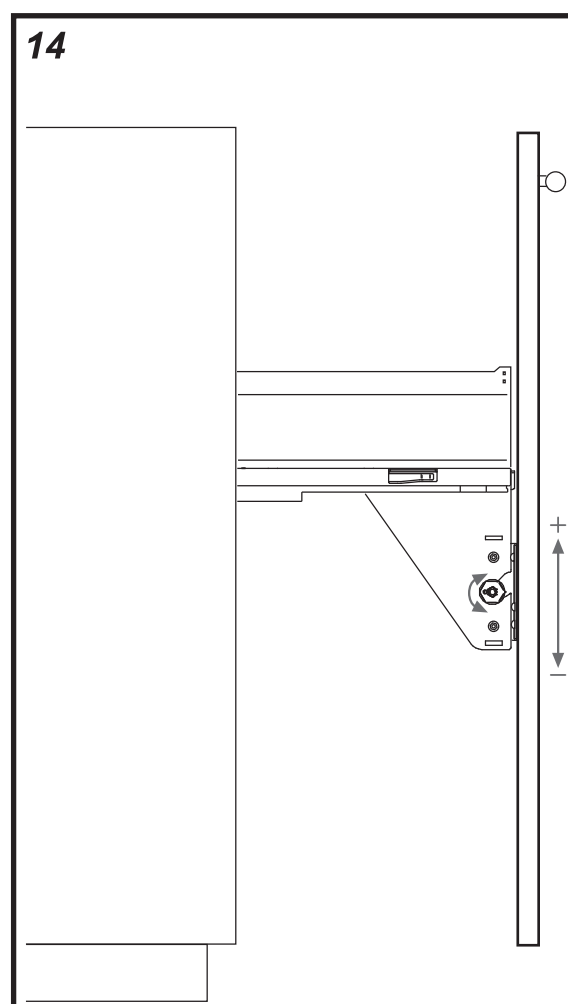
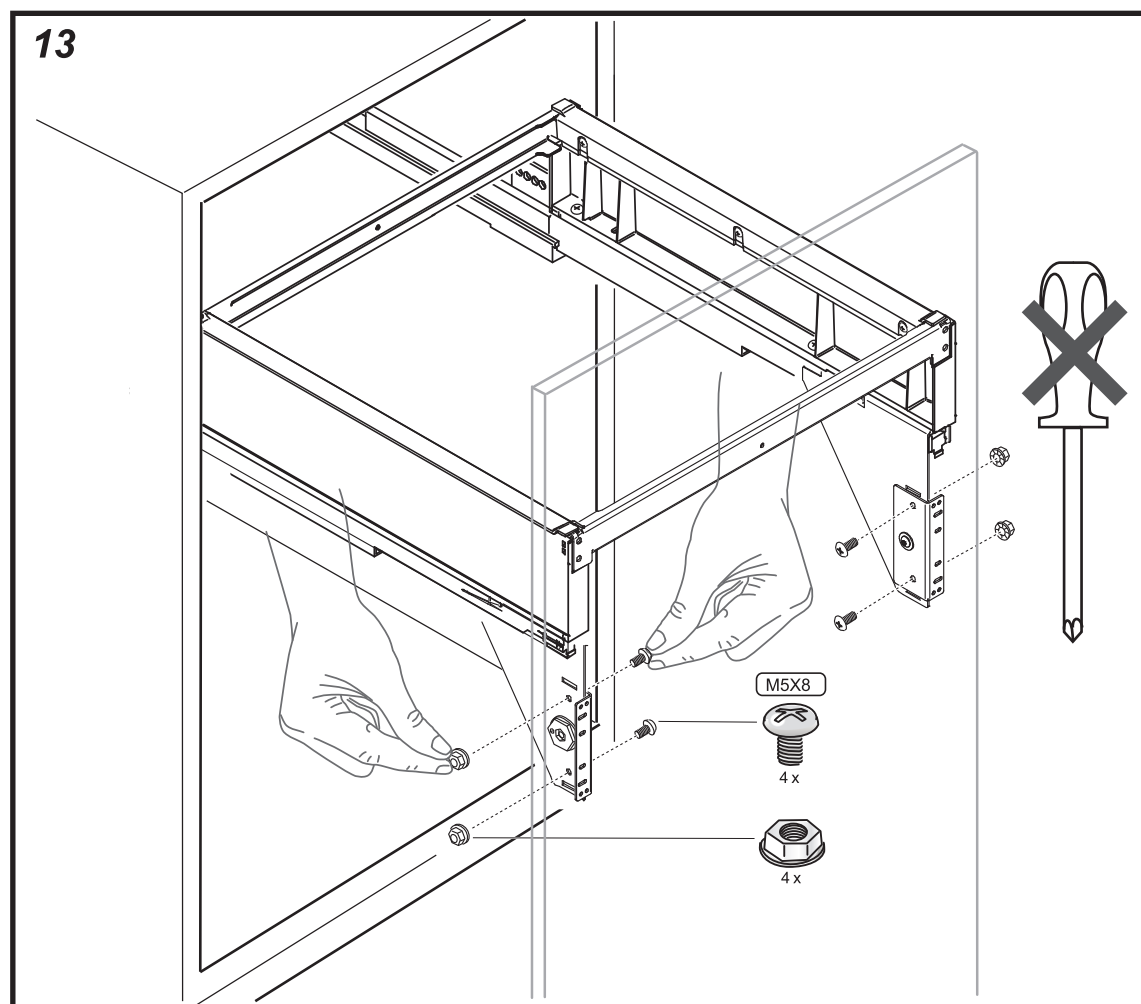
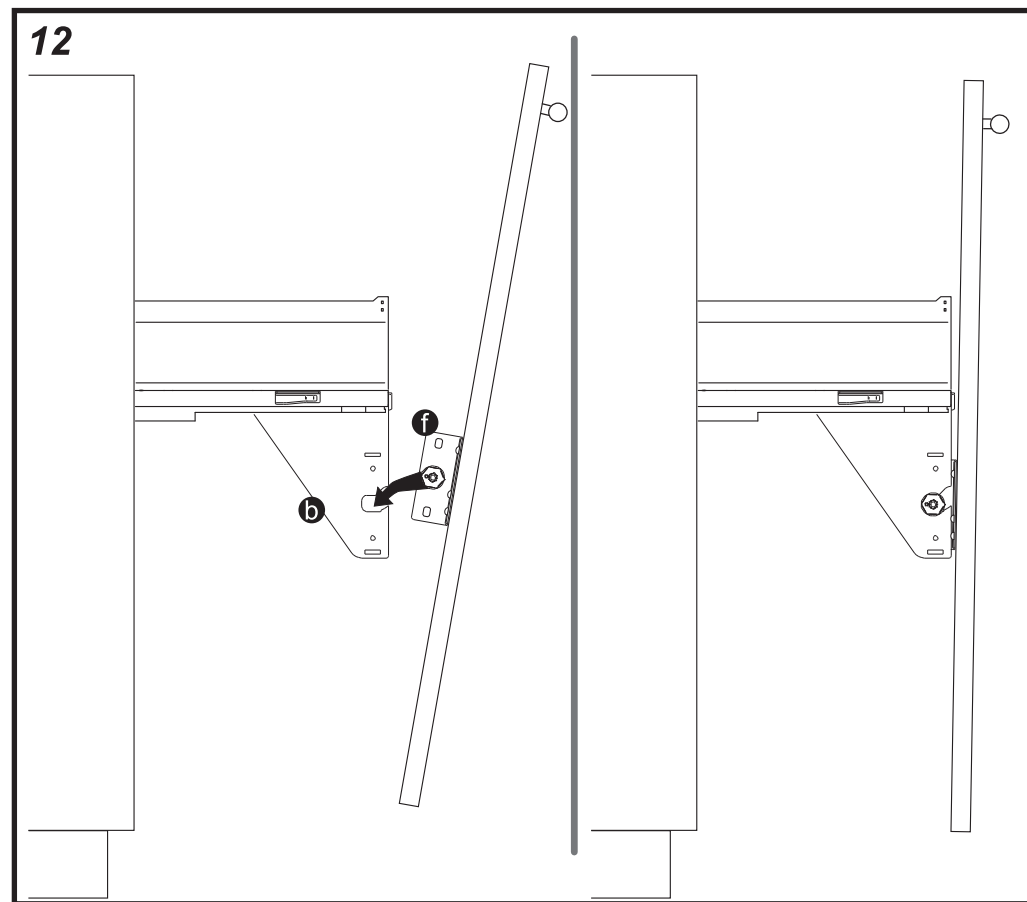
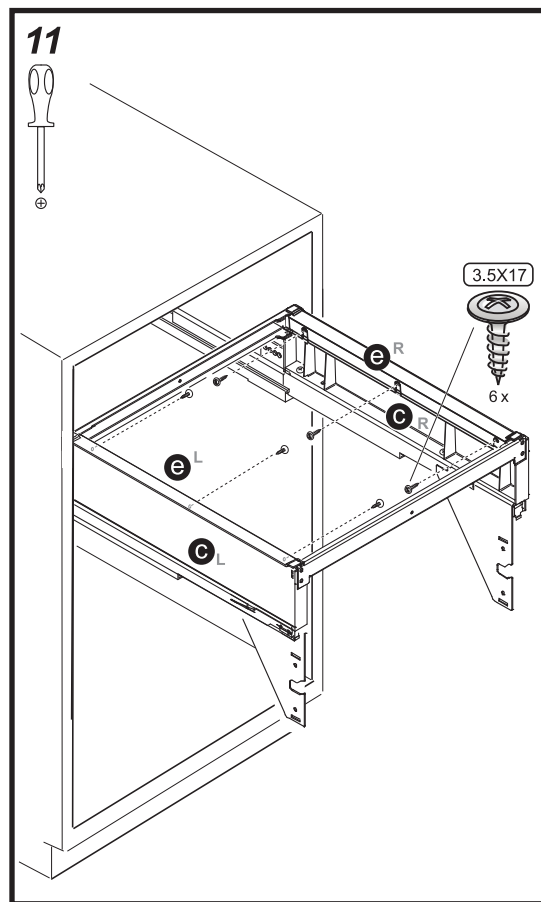
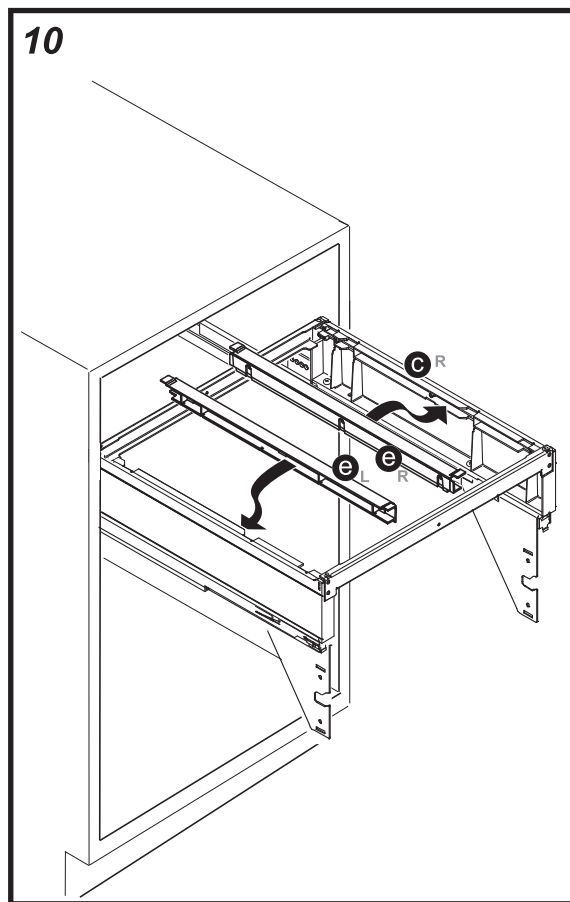
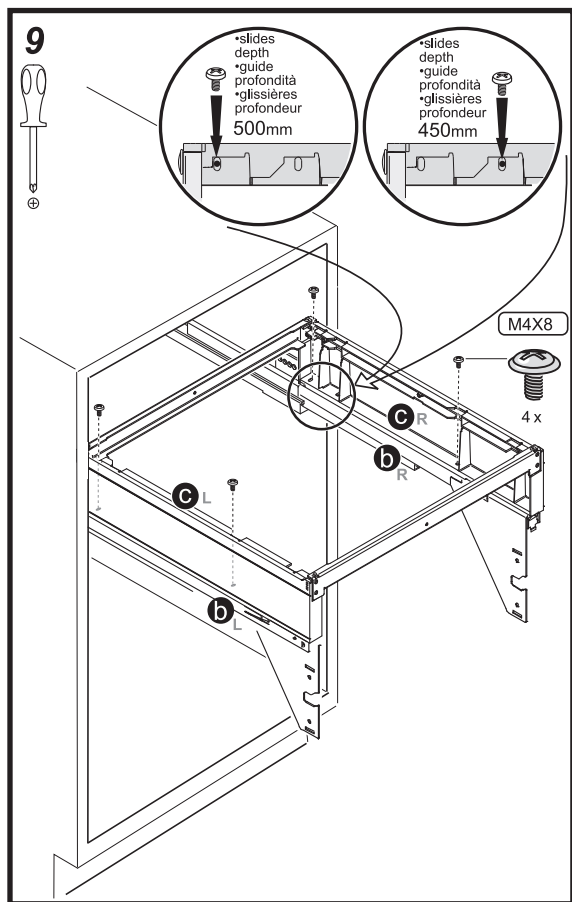
ART.580PL40B (H304)  
base 400

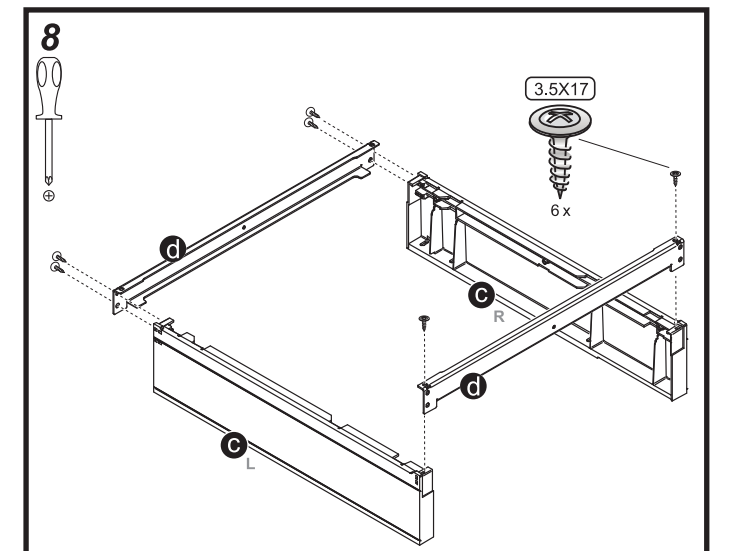
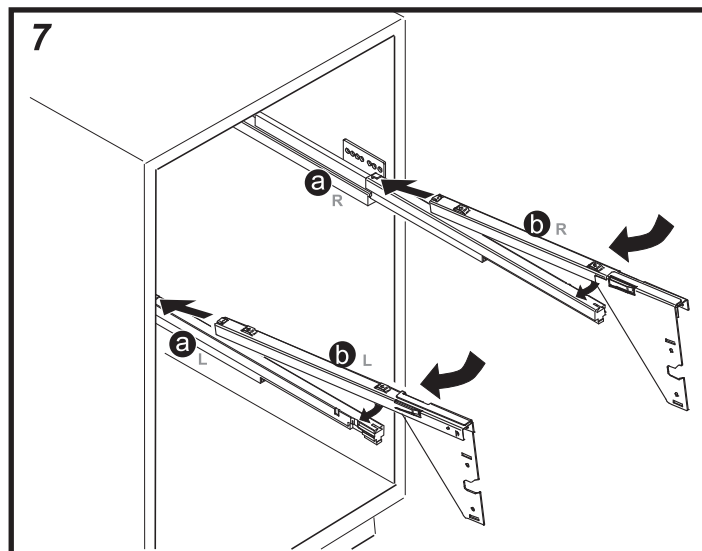
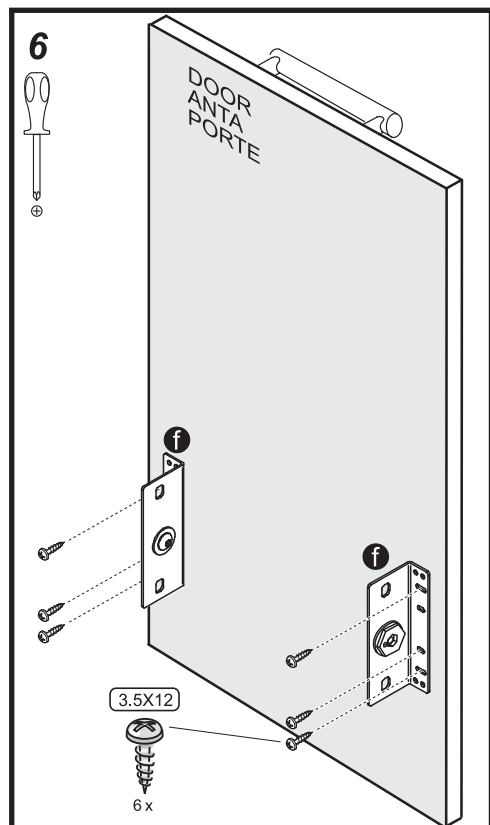
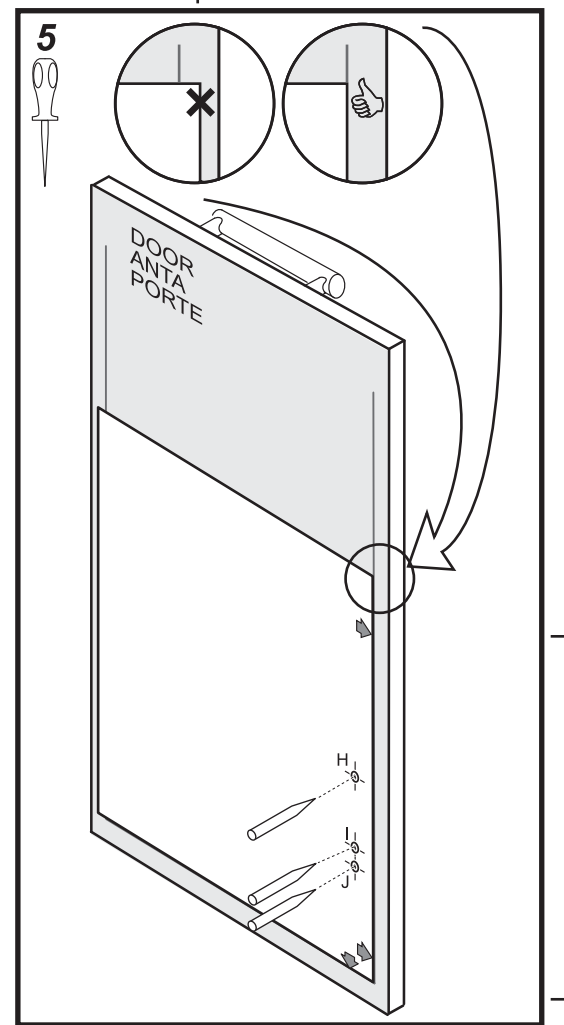
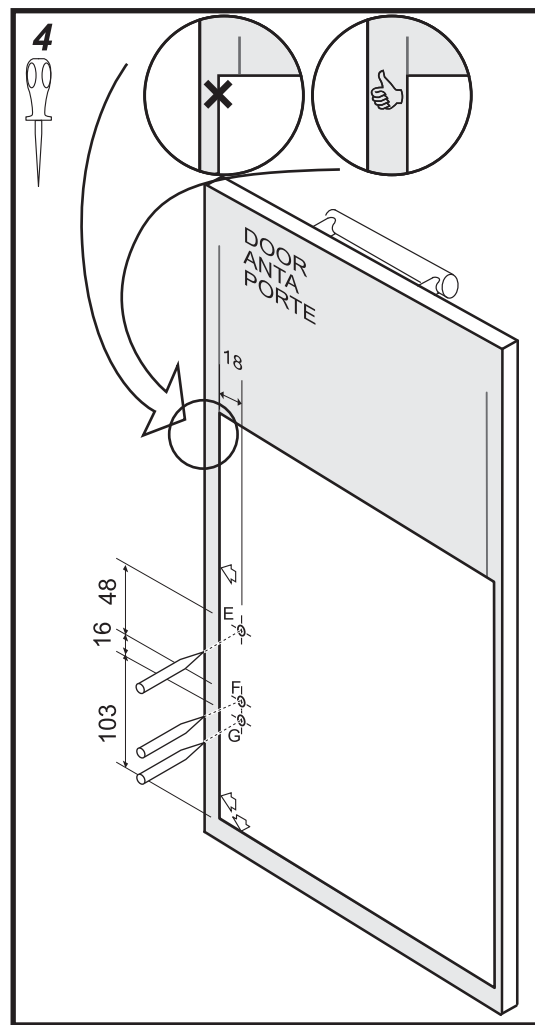
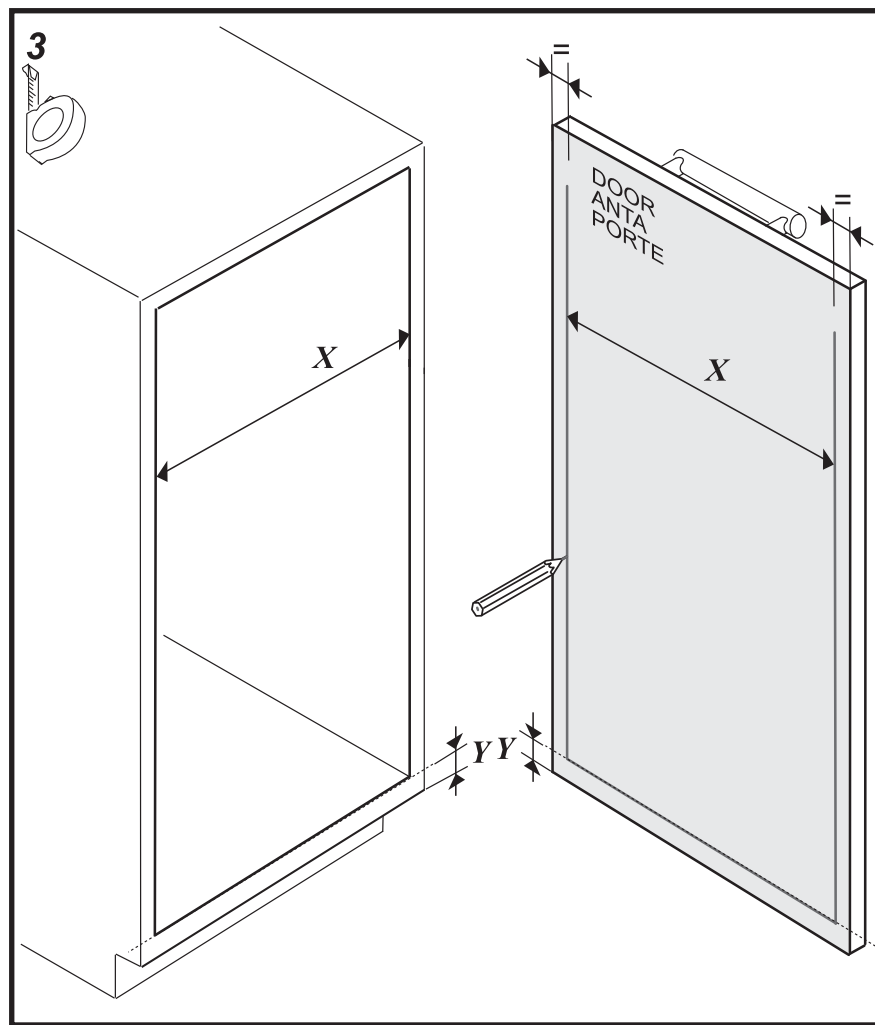
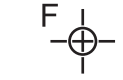
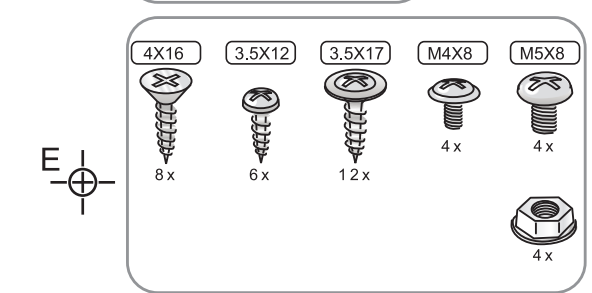
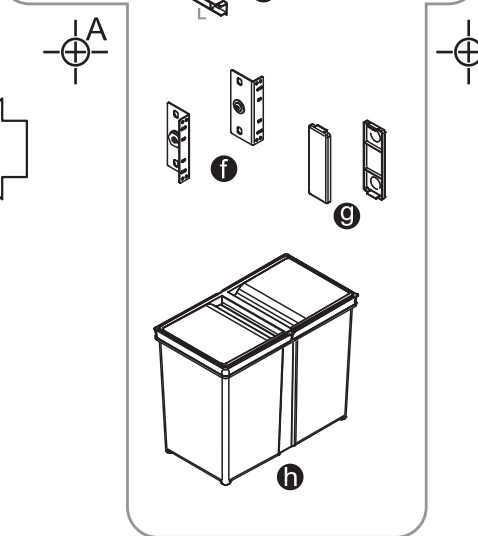
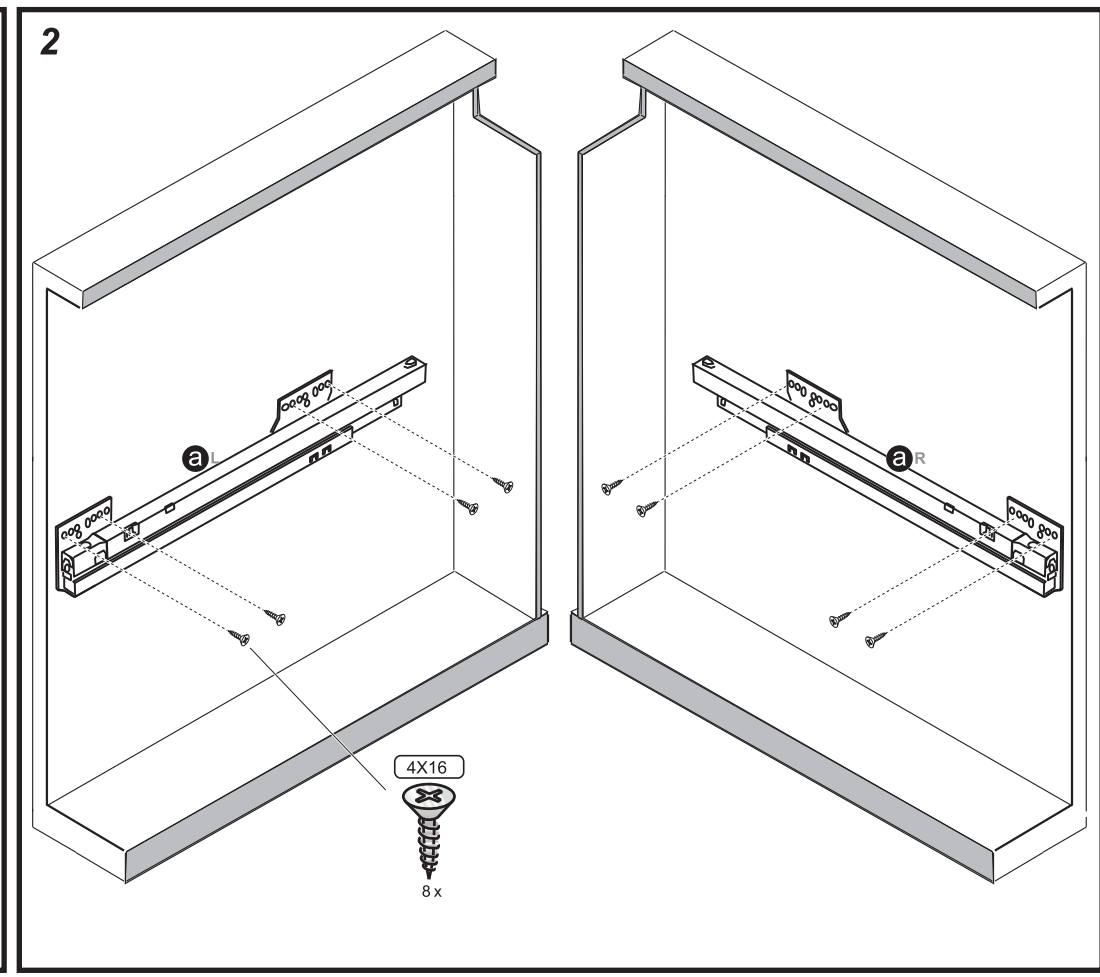
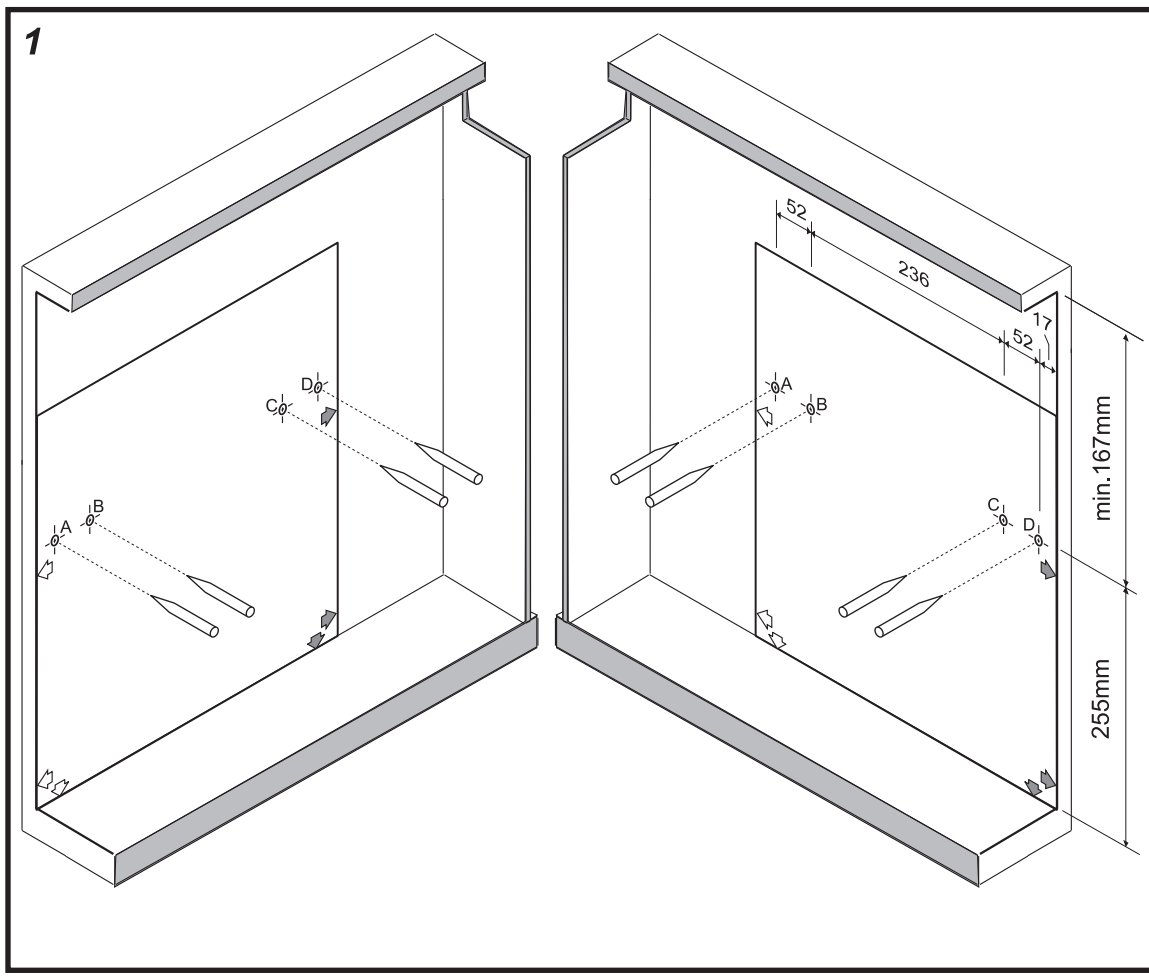
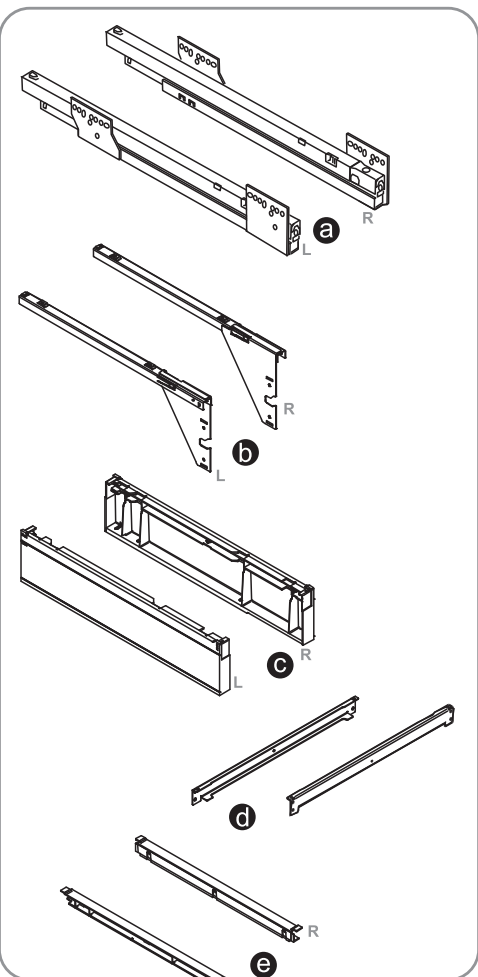


ART.580PL45B (H304)  
base 450

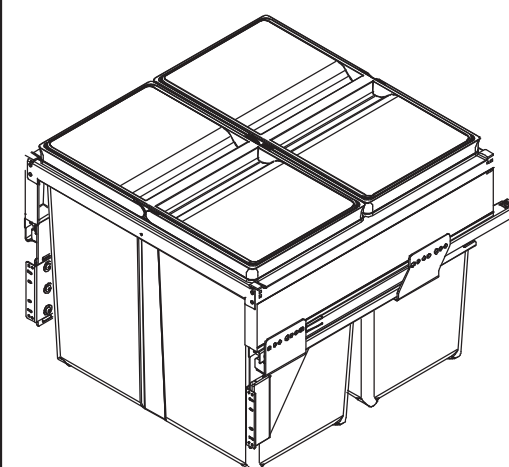
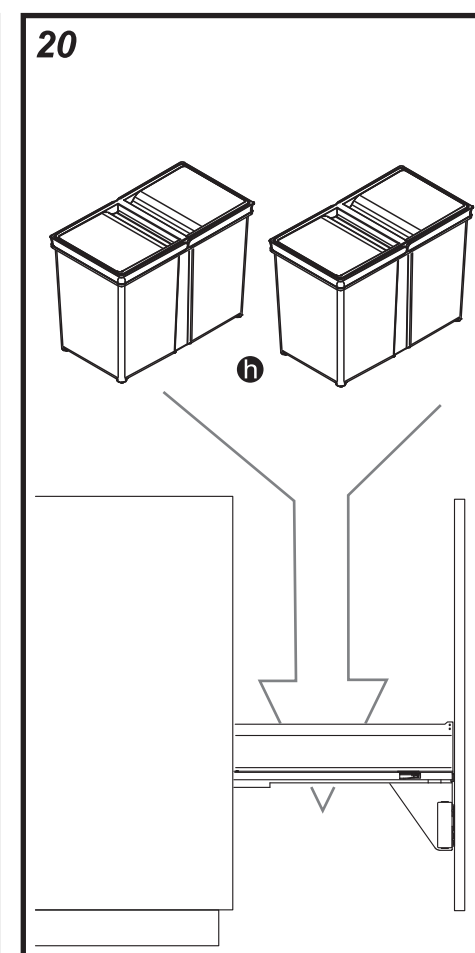
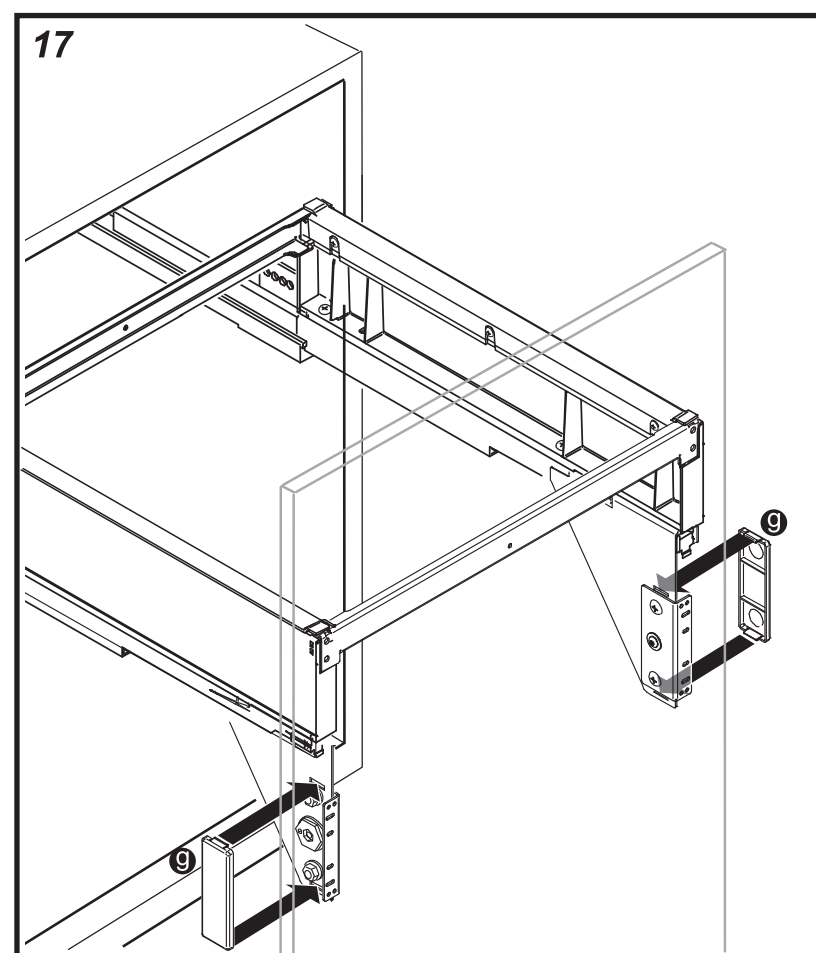
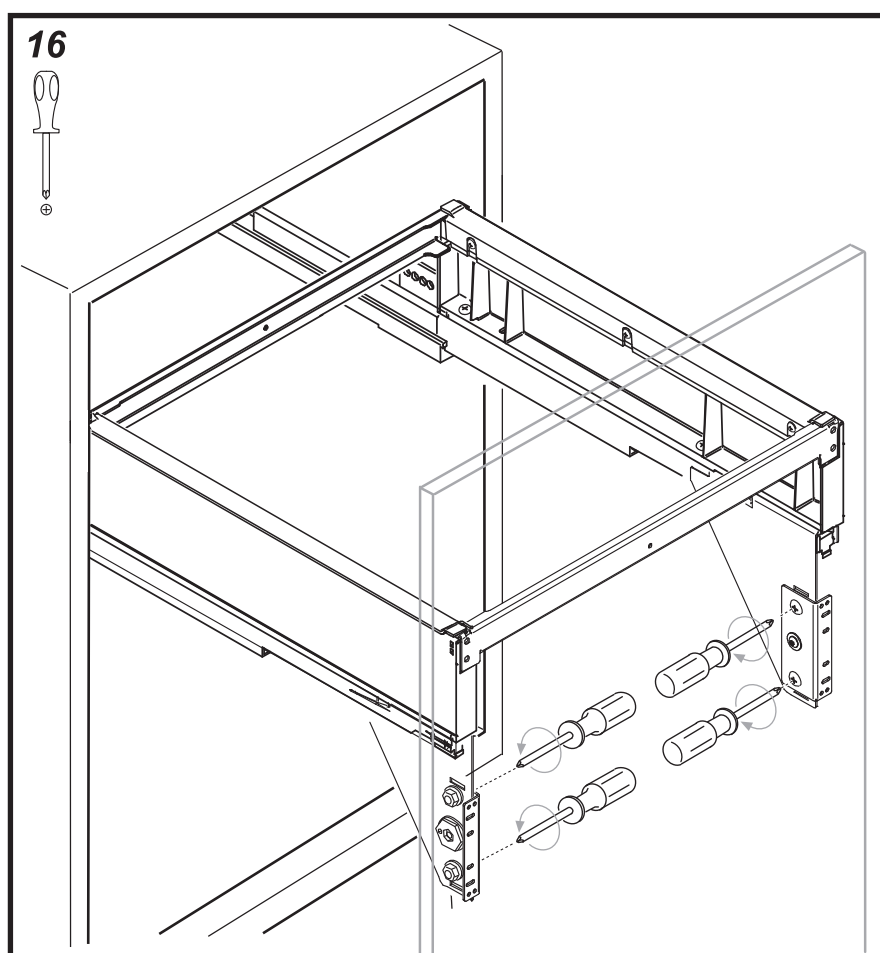
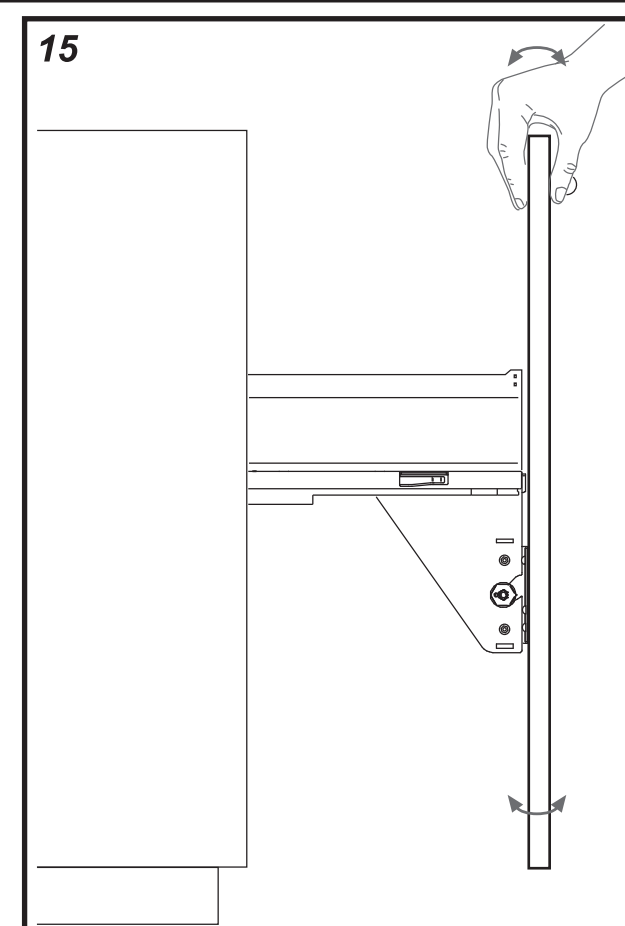
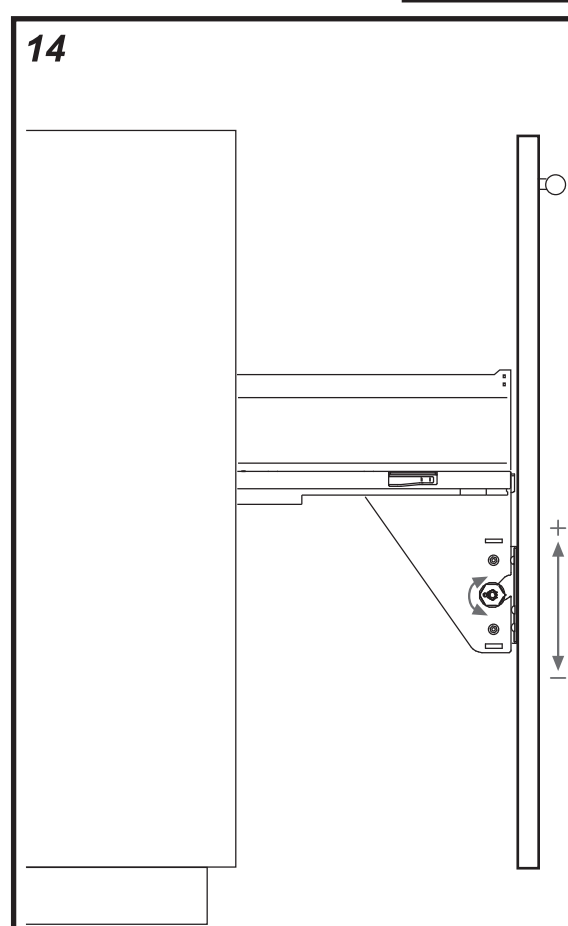
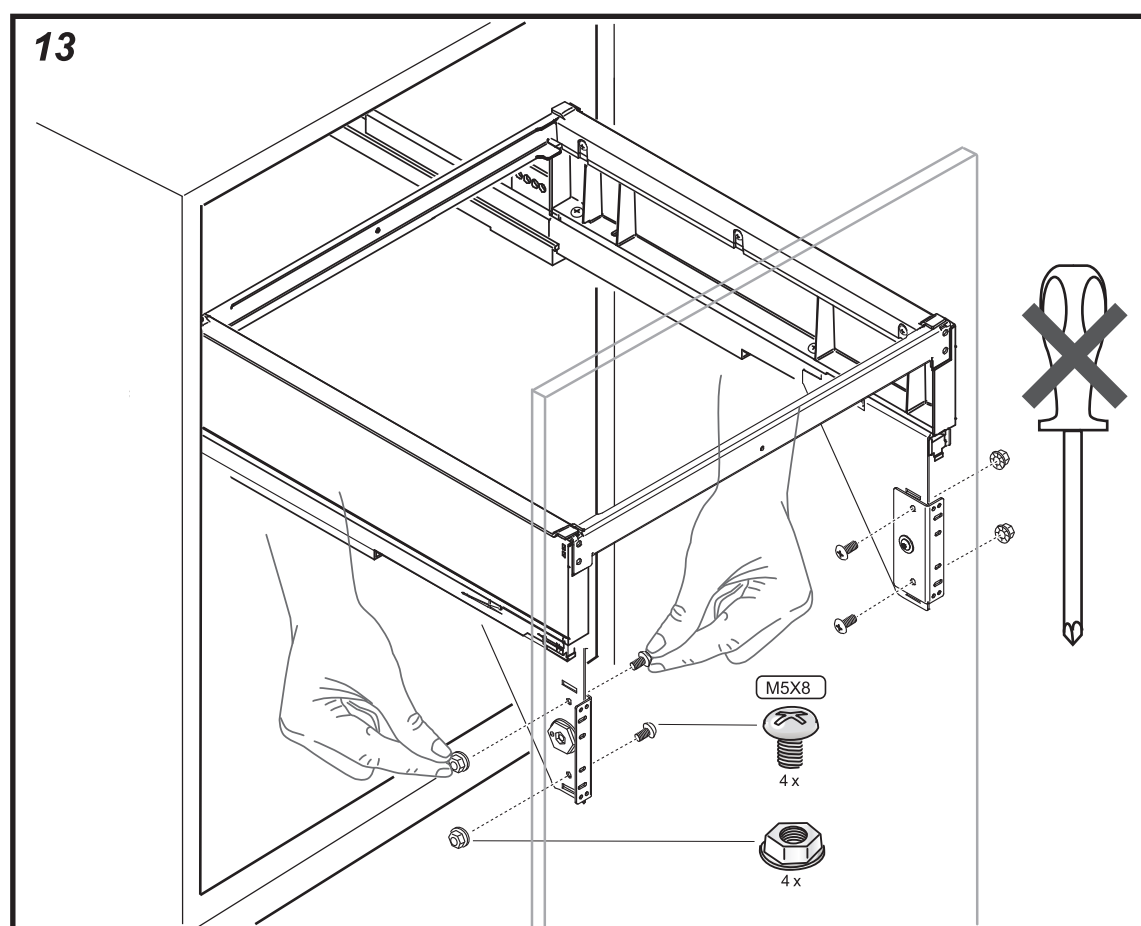
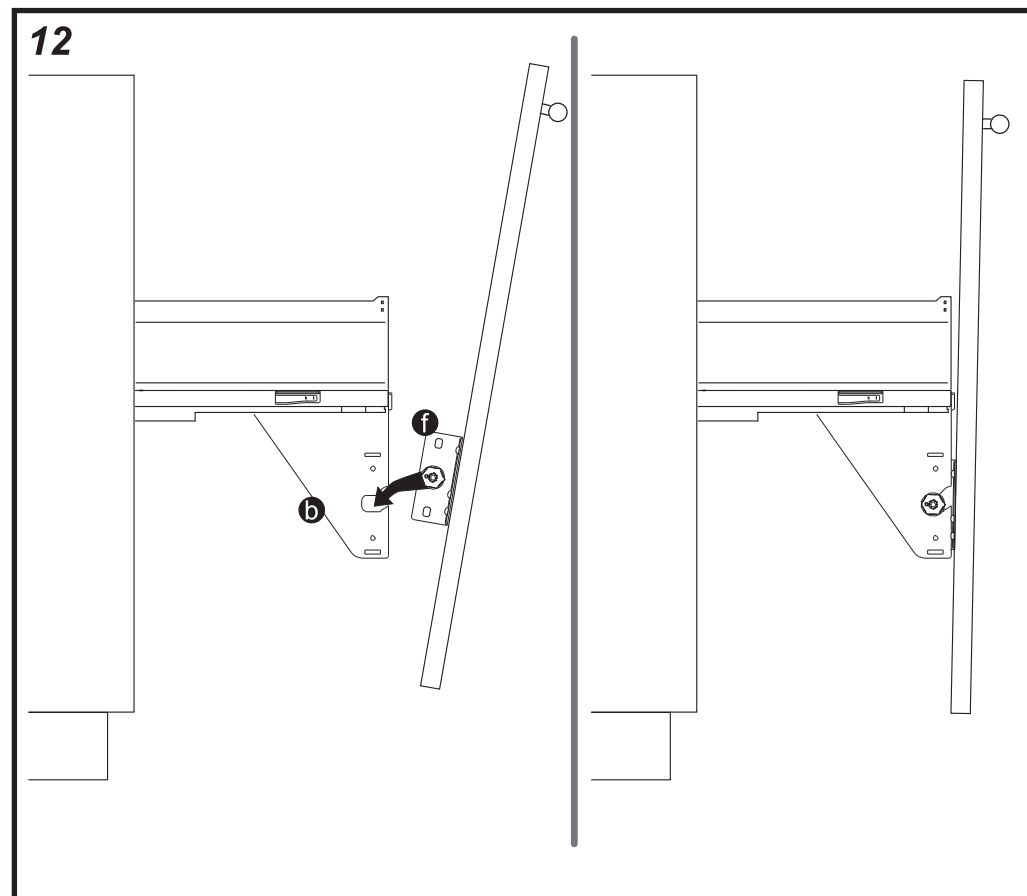
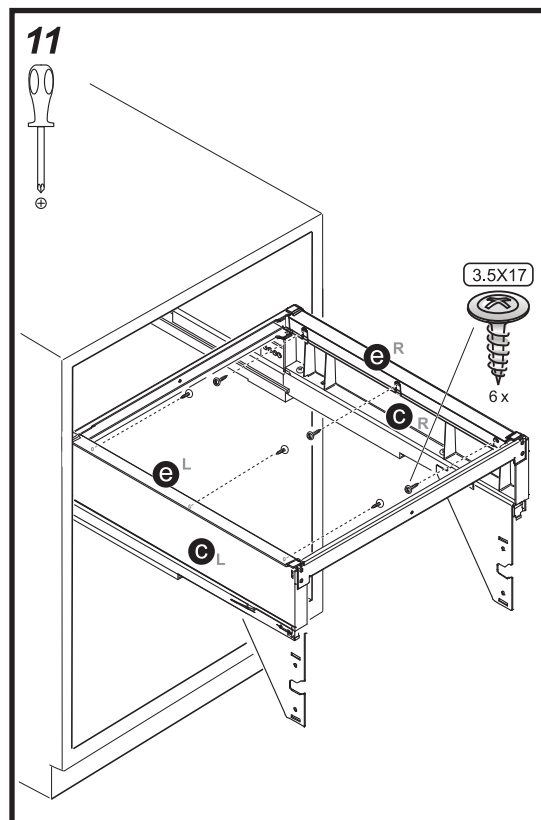
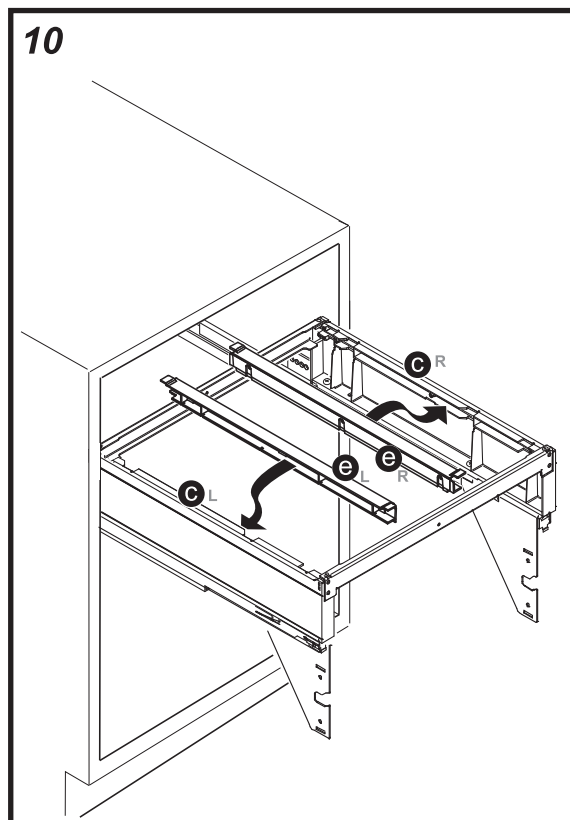
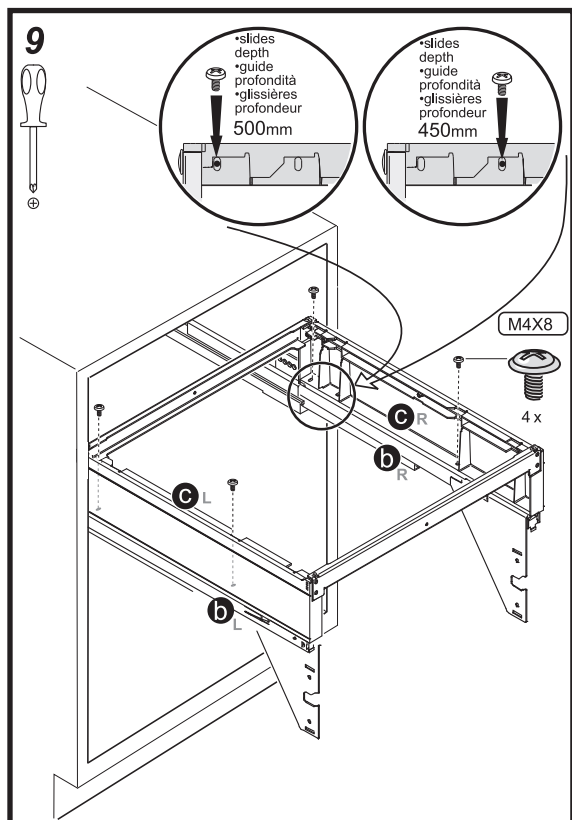


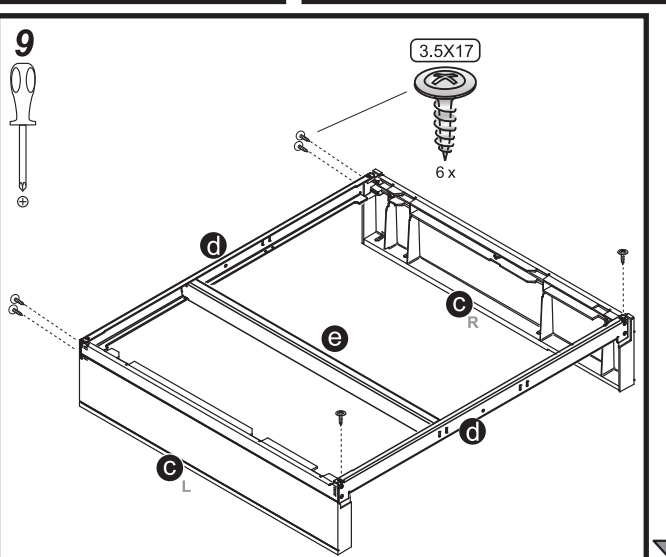
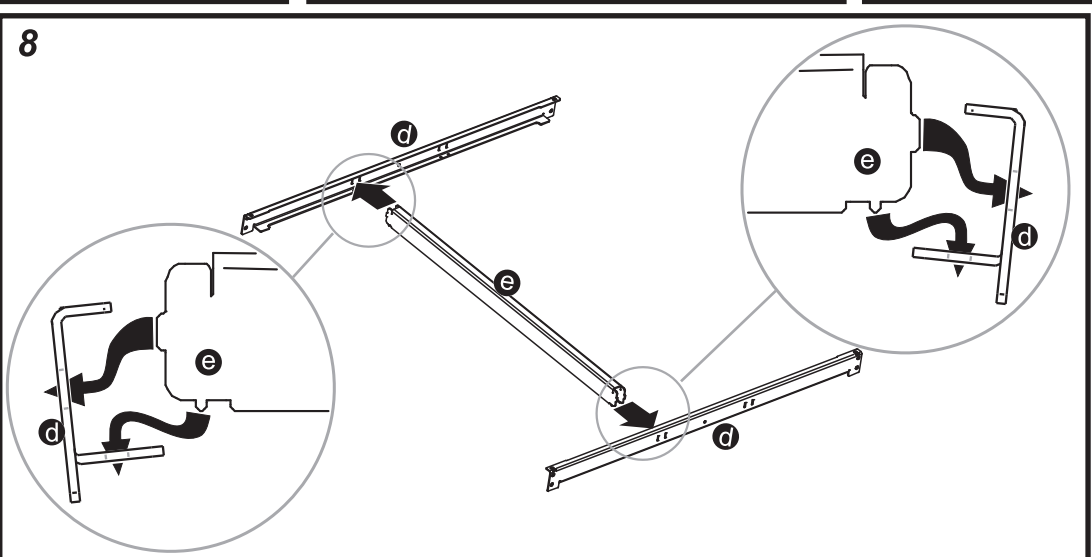
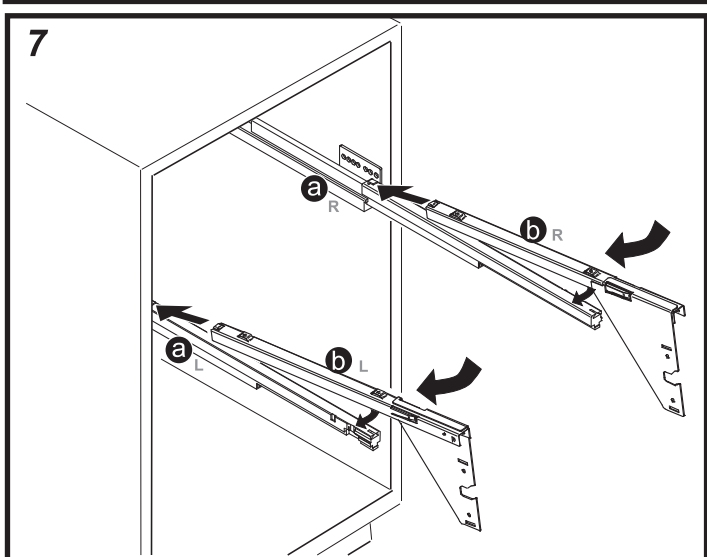
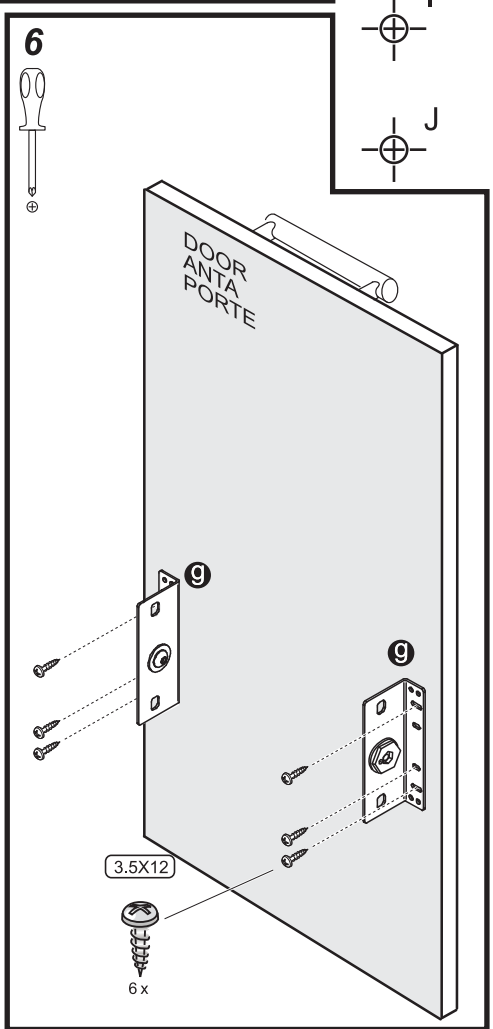
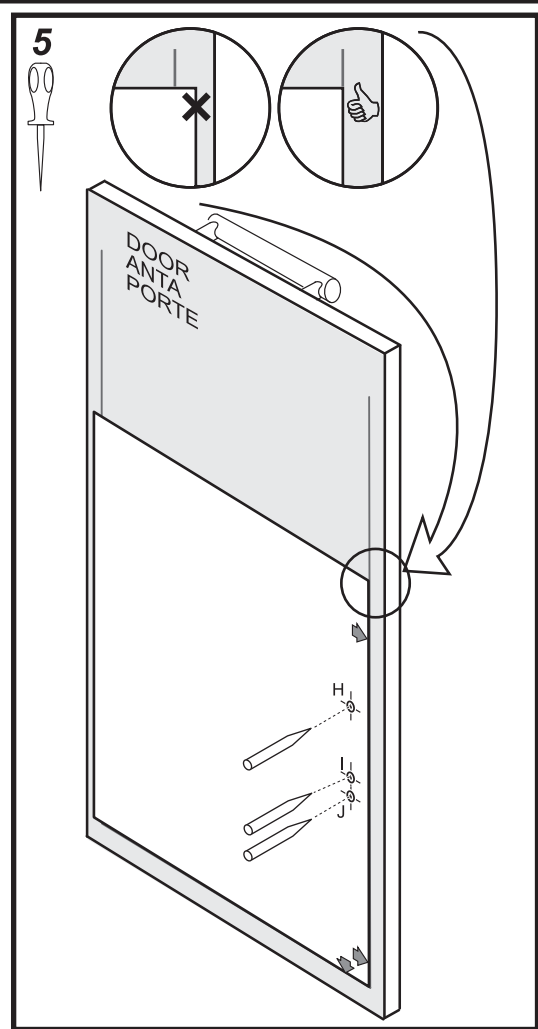
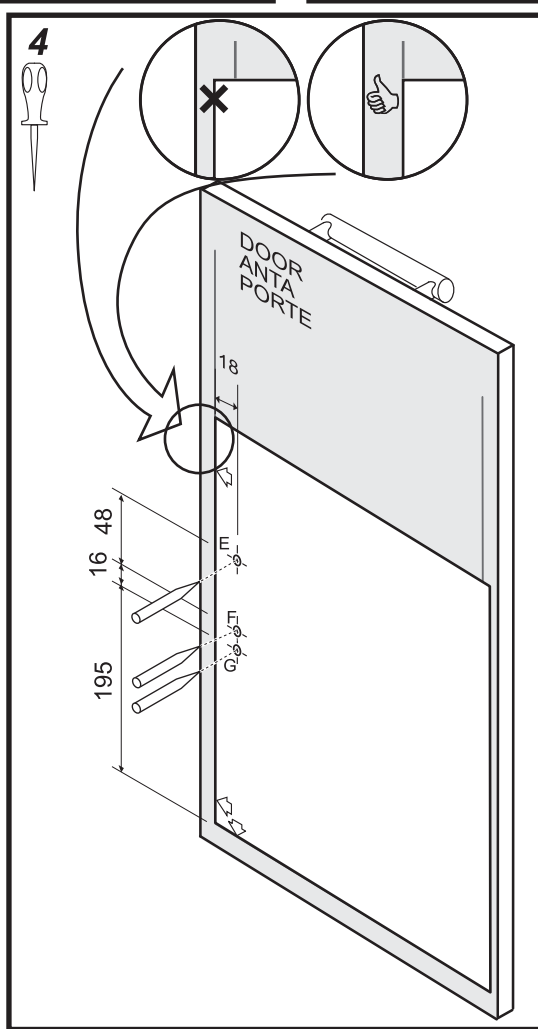
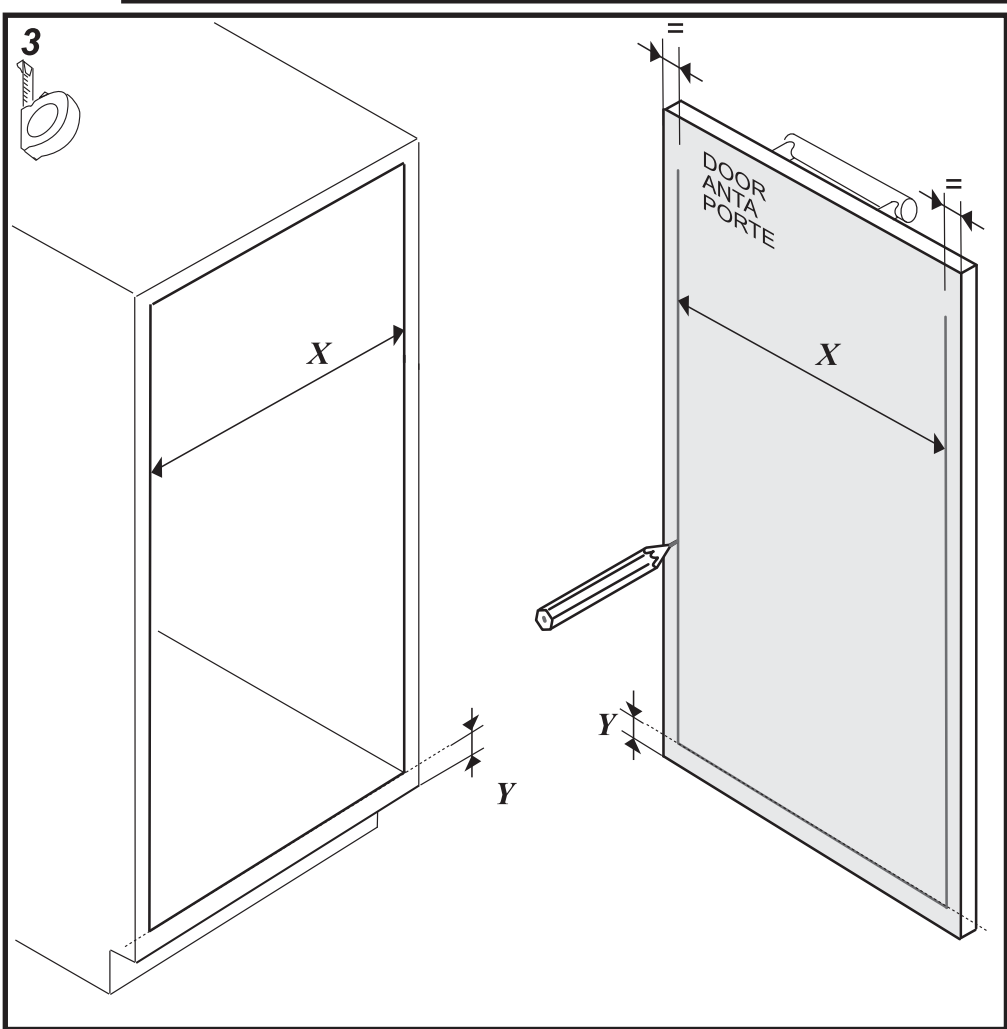
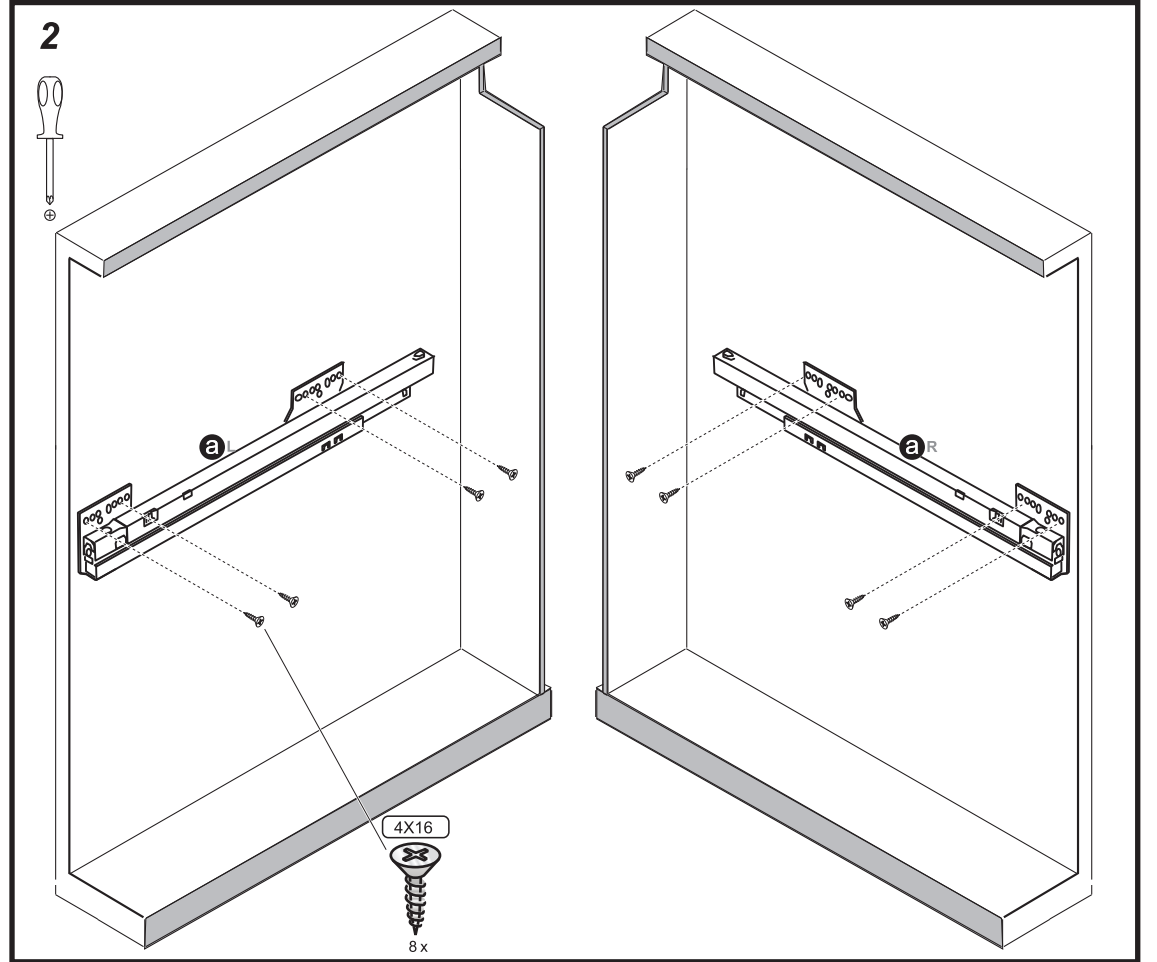
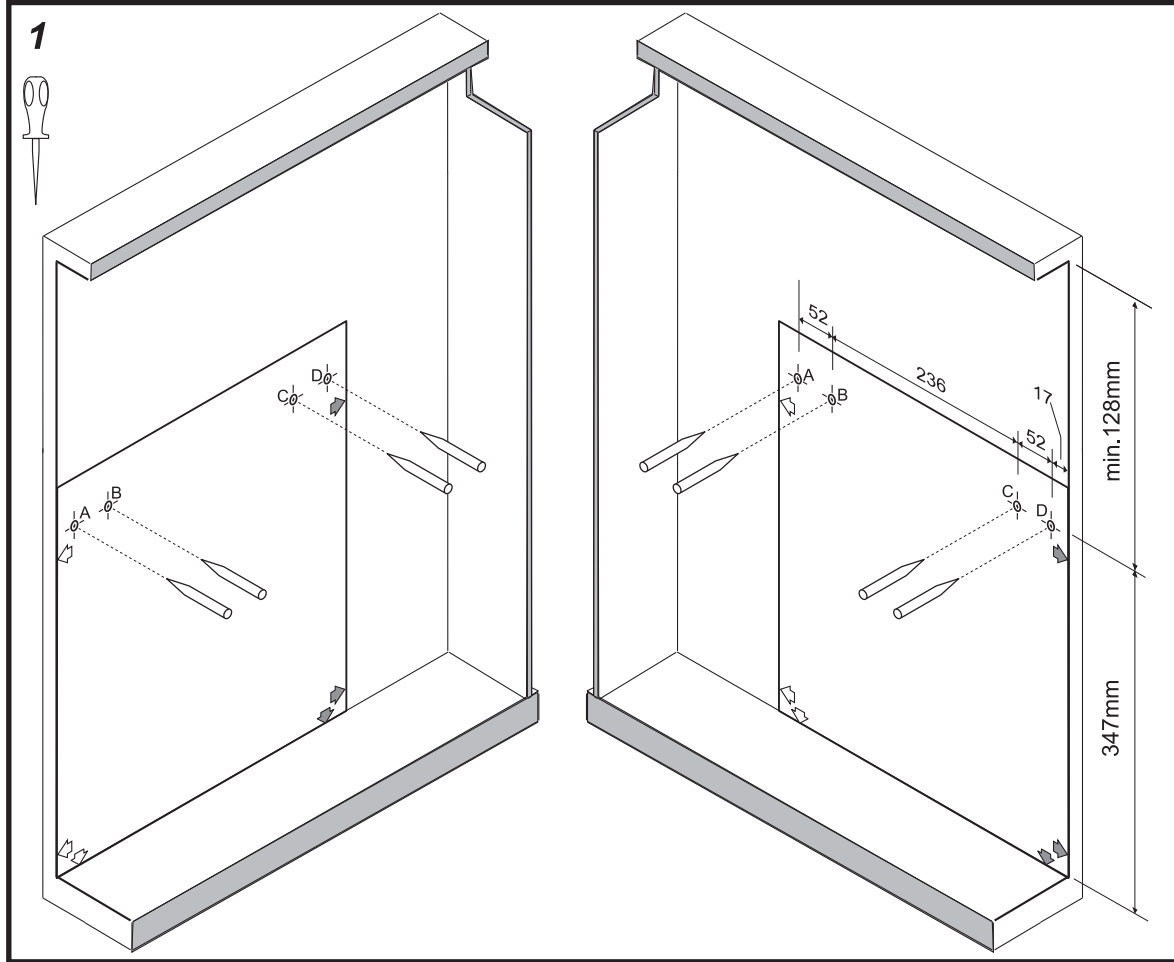
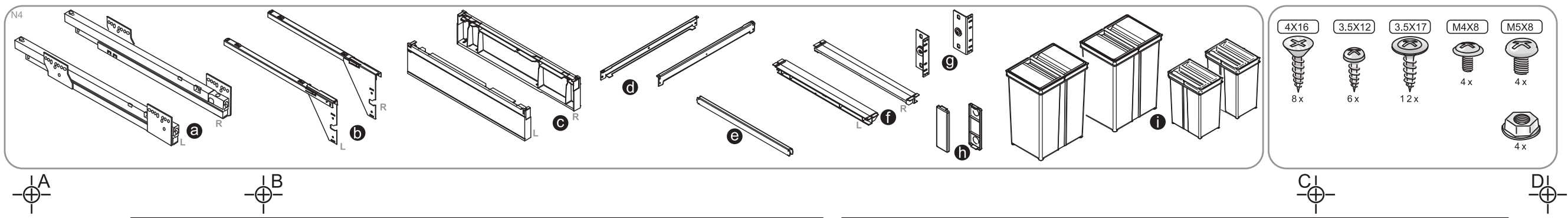




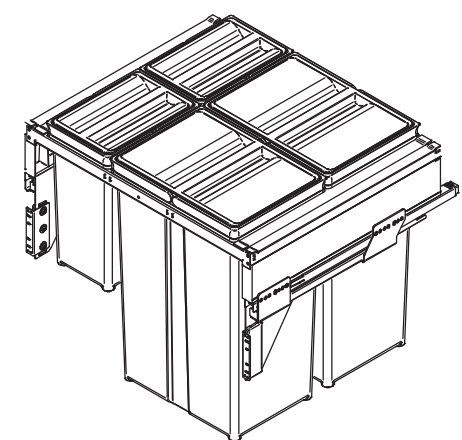
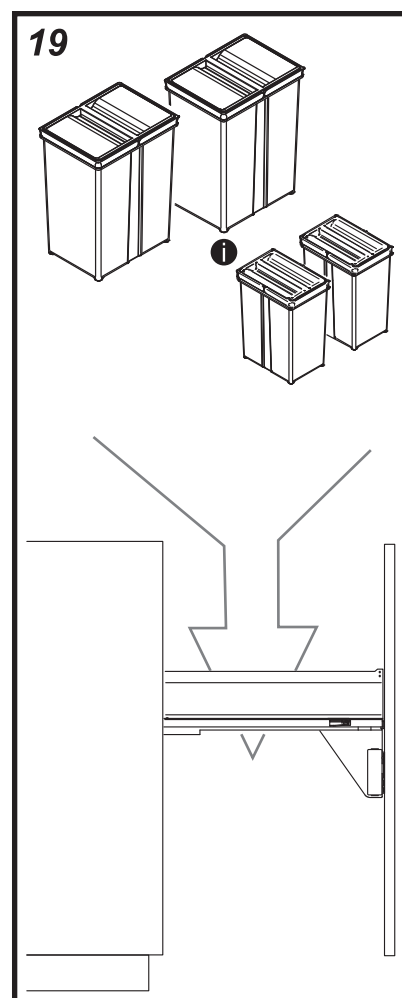
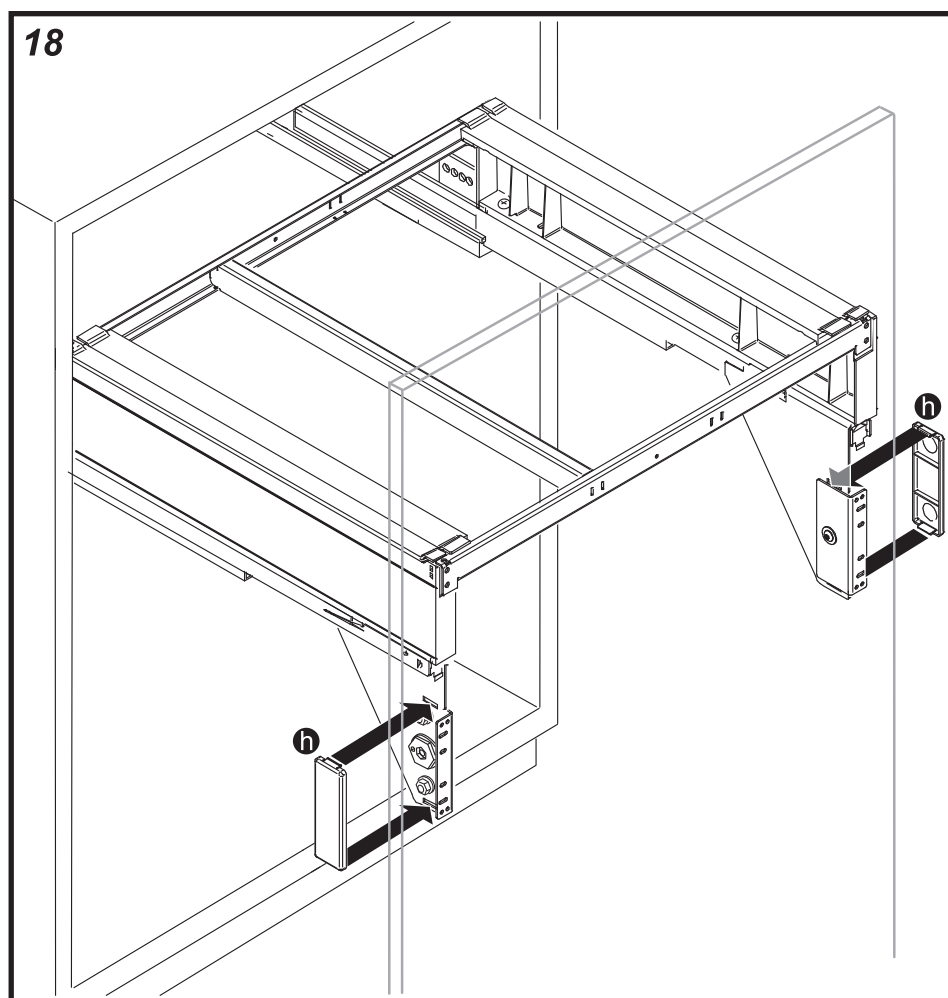
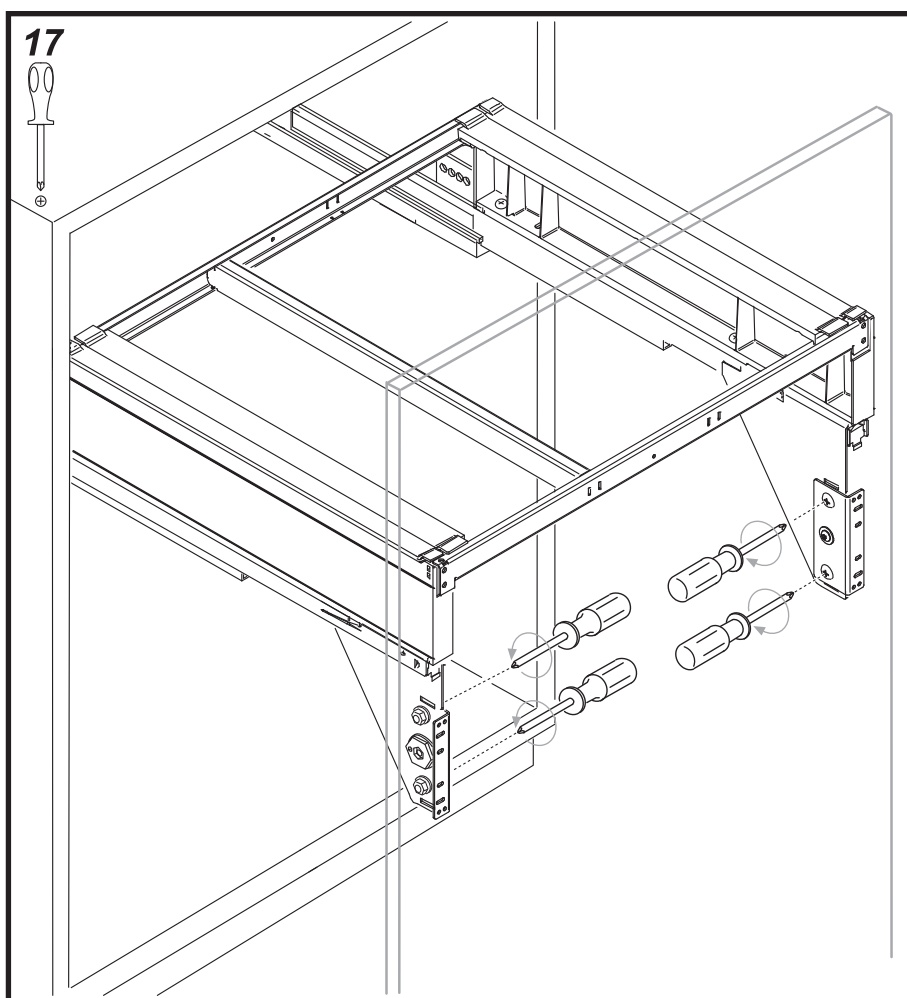
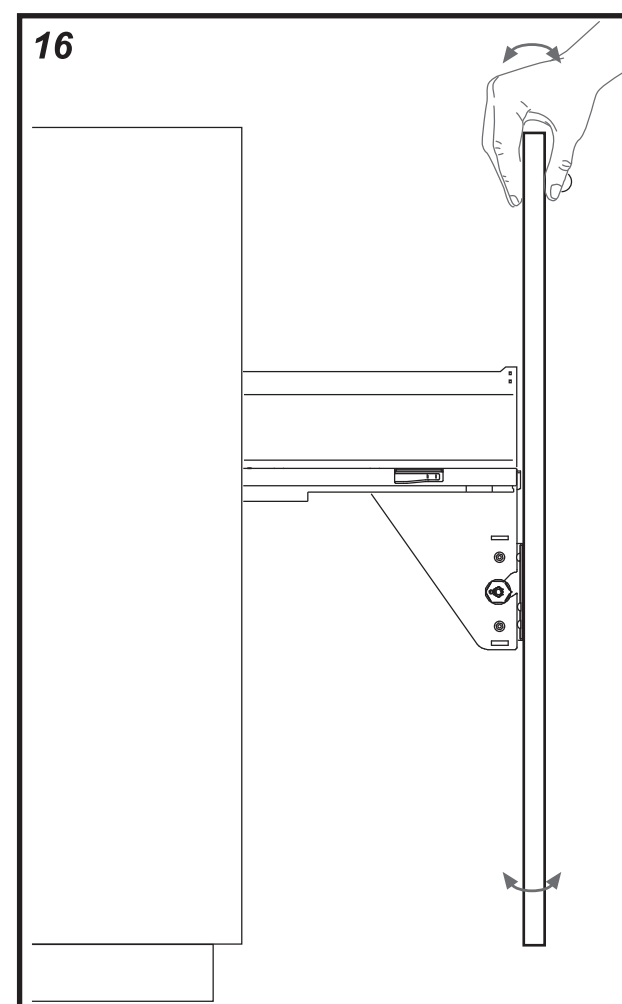
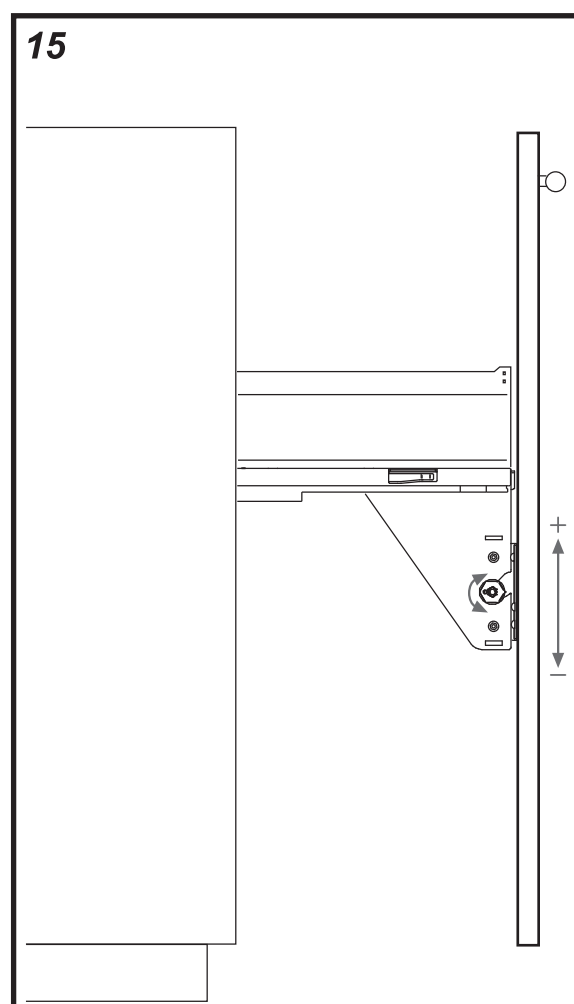
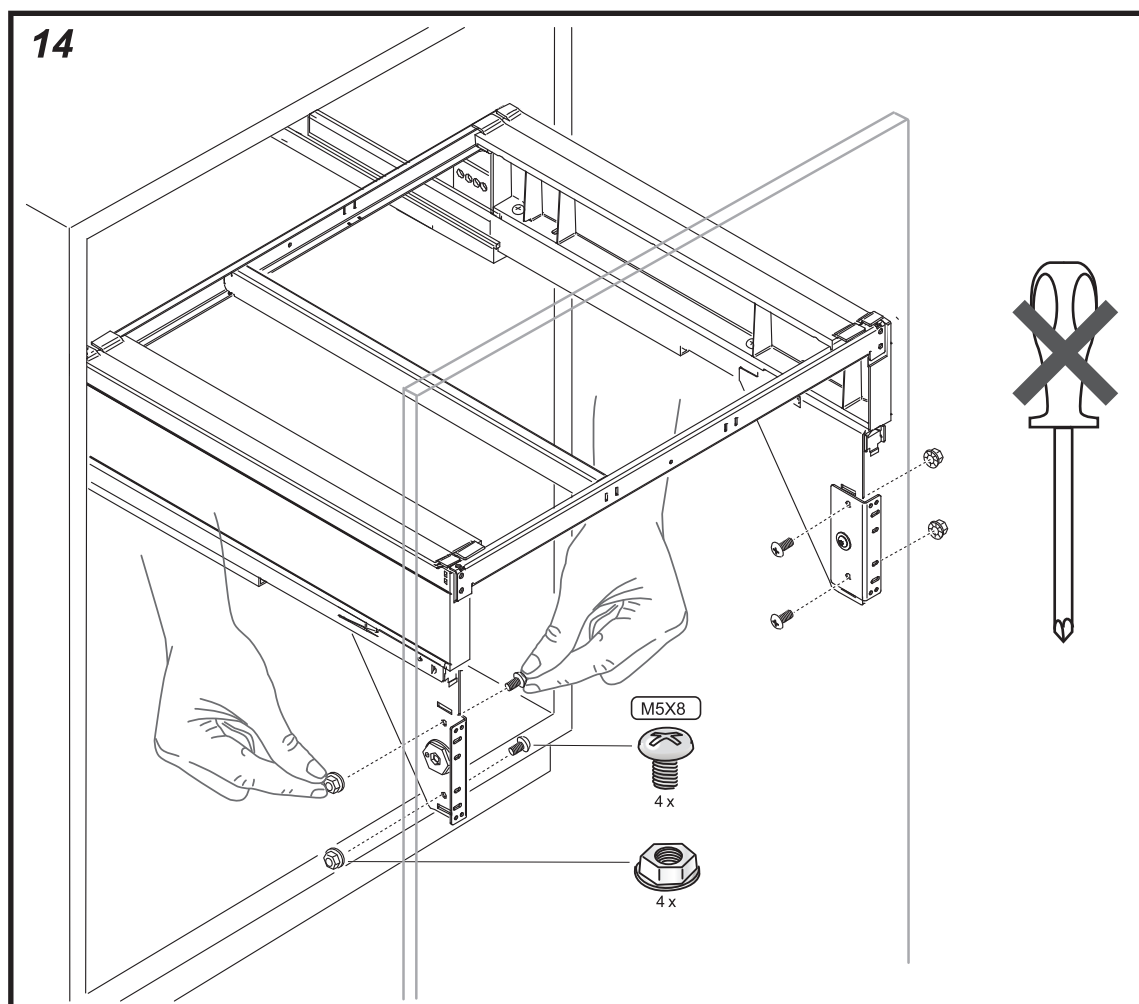
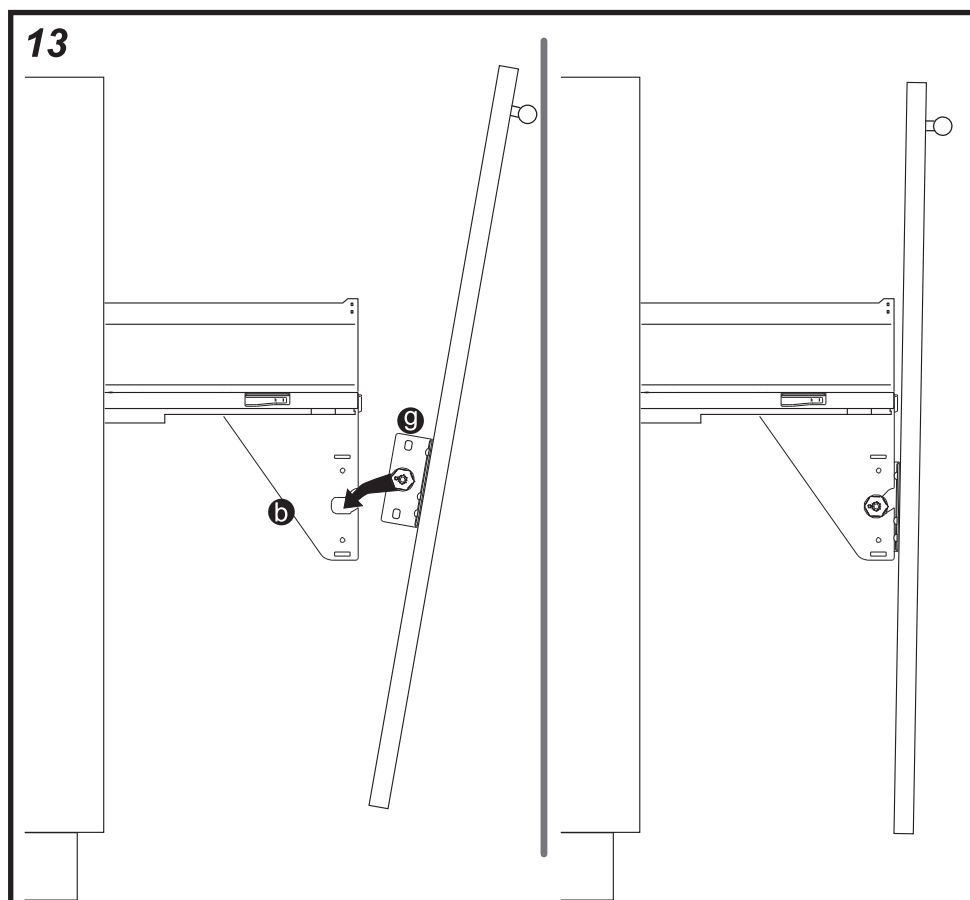
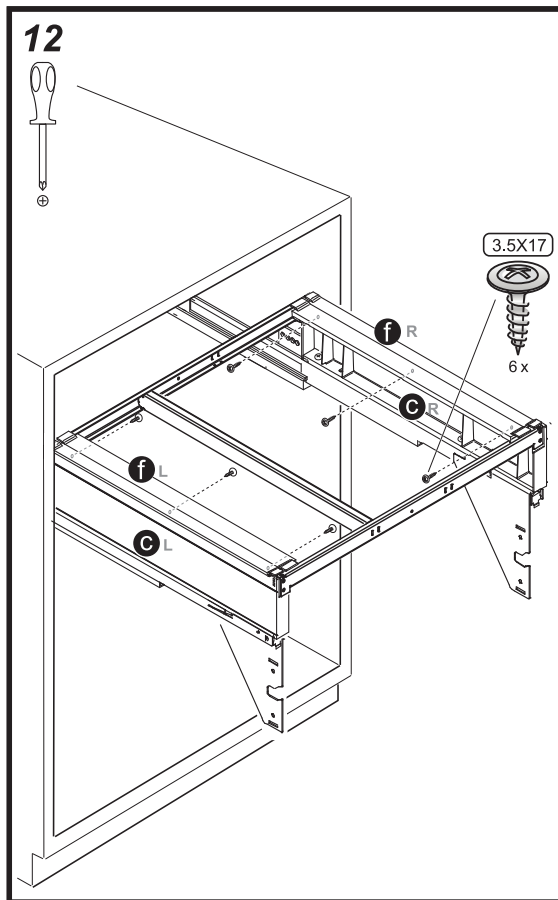
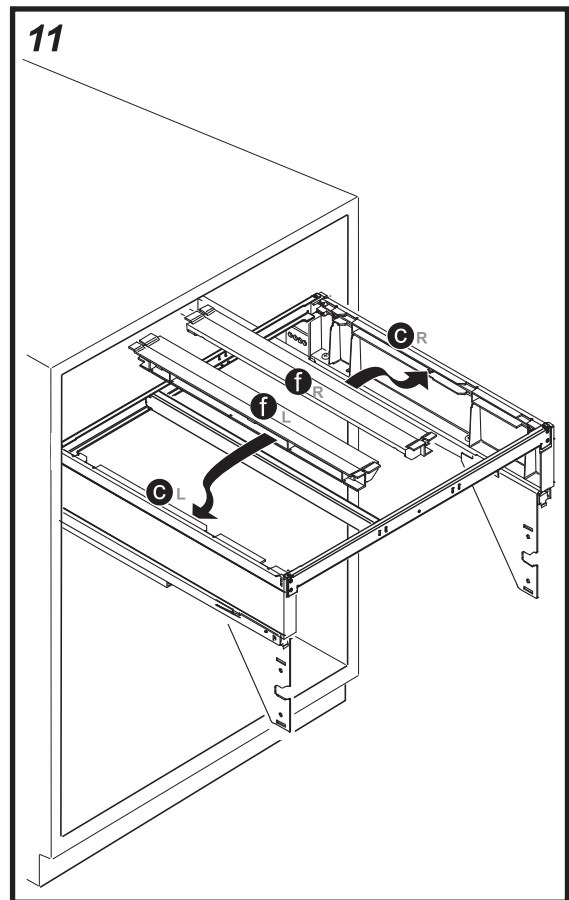
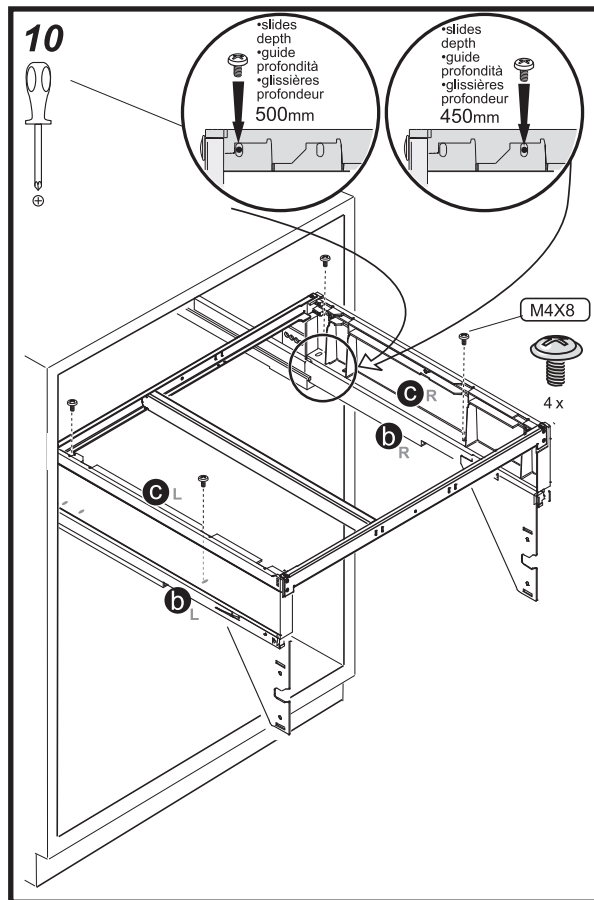






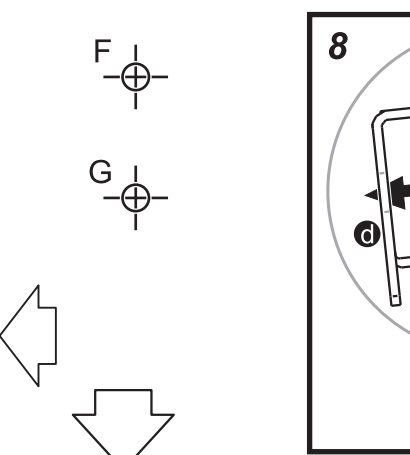
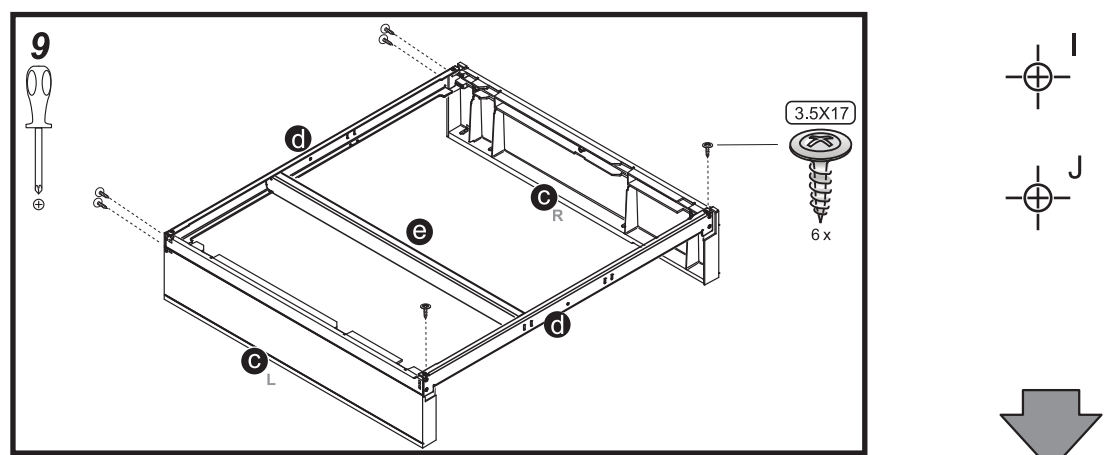
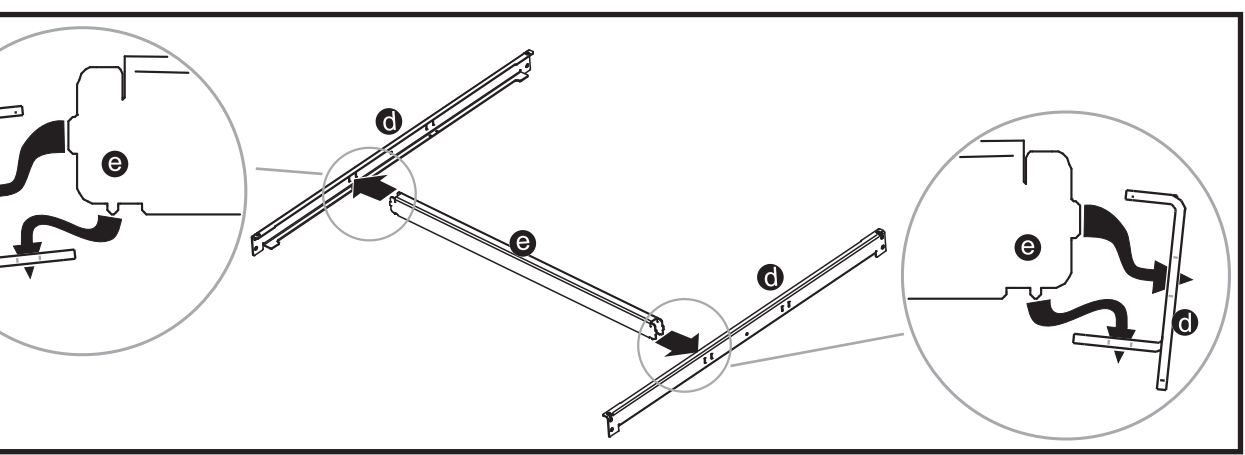
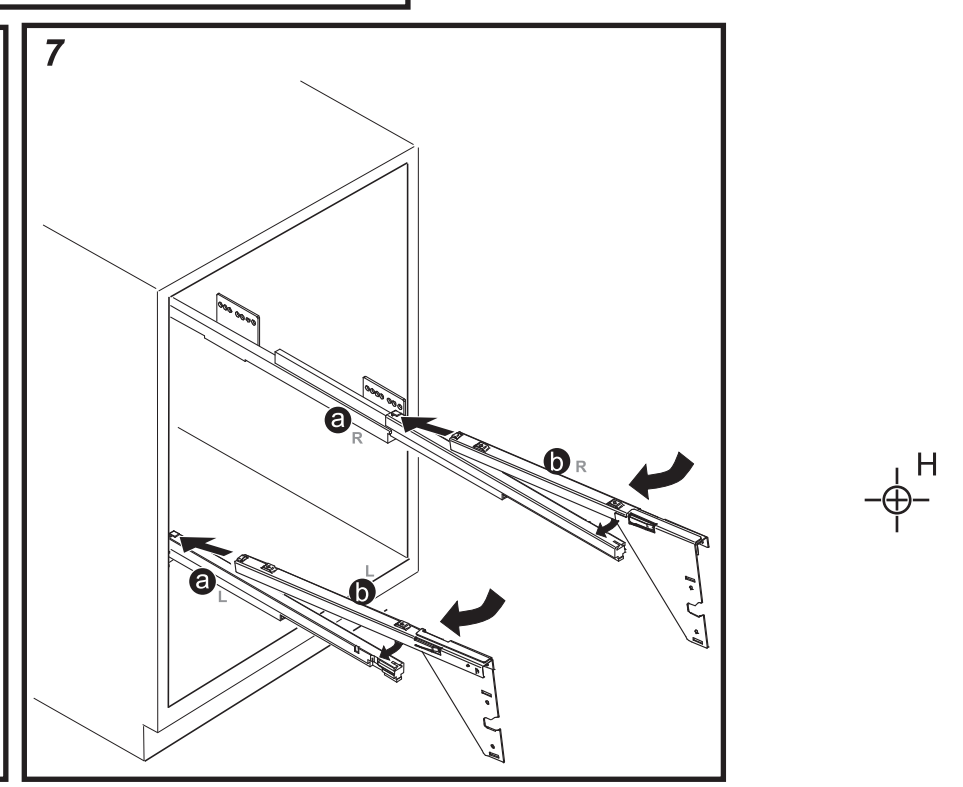
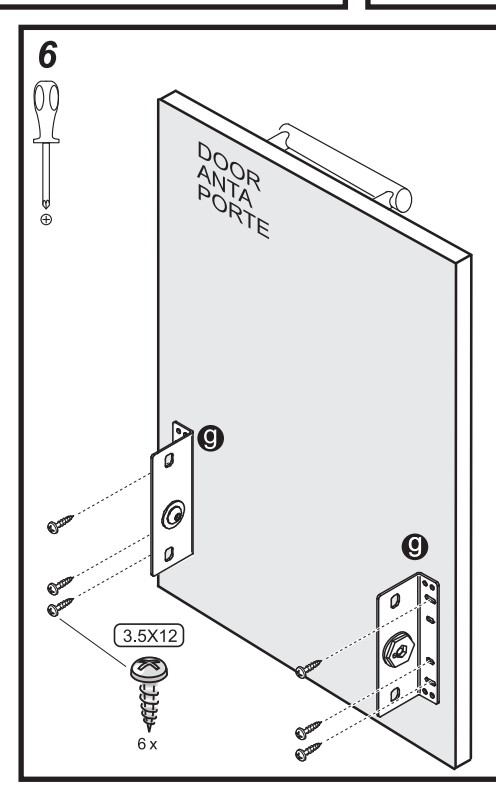
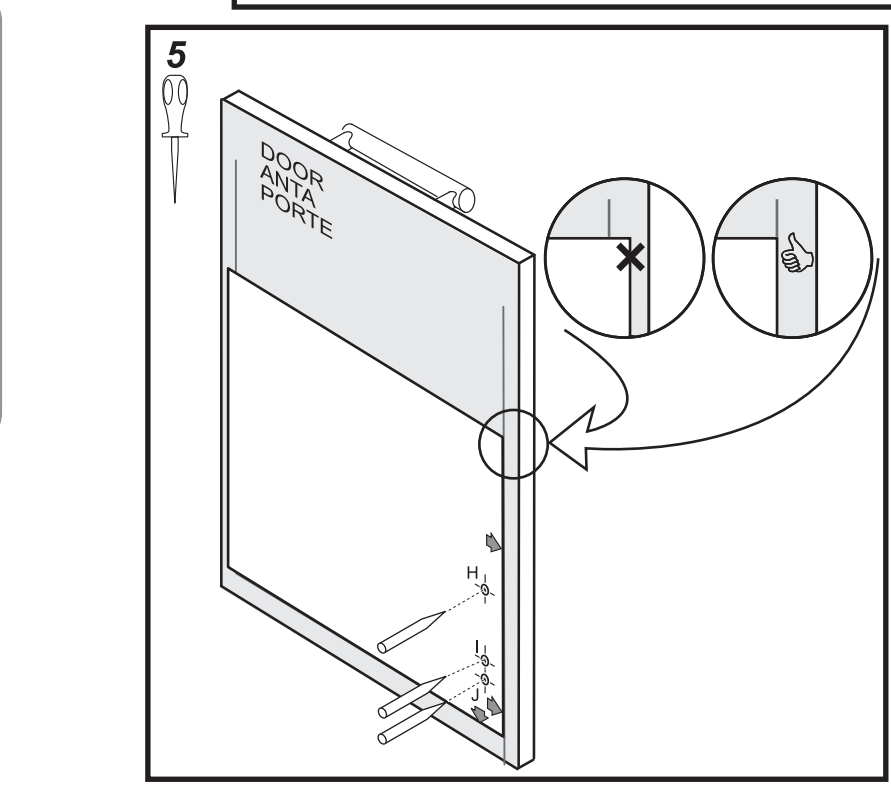
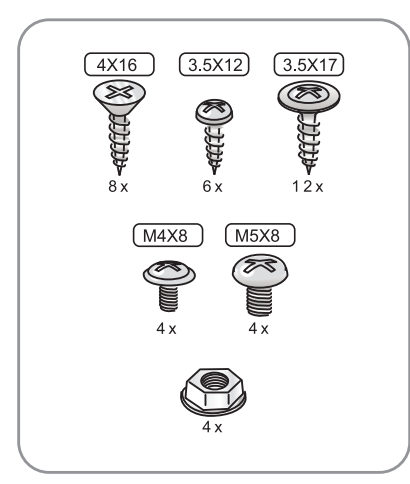
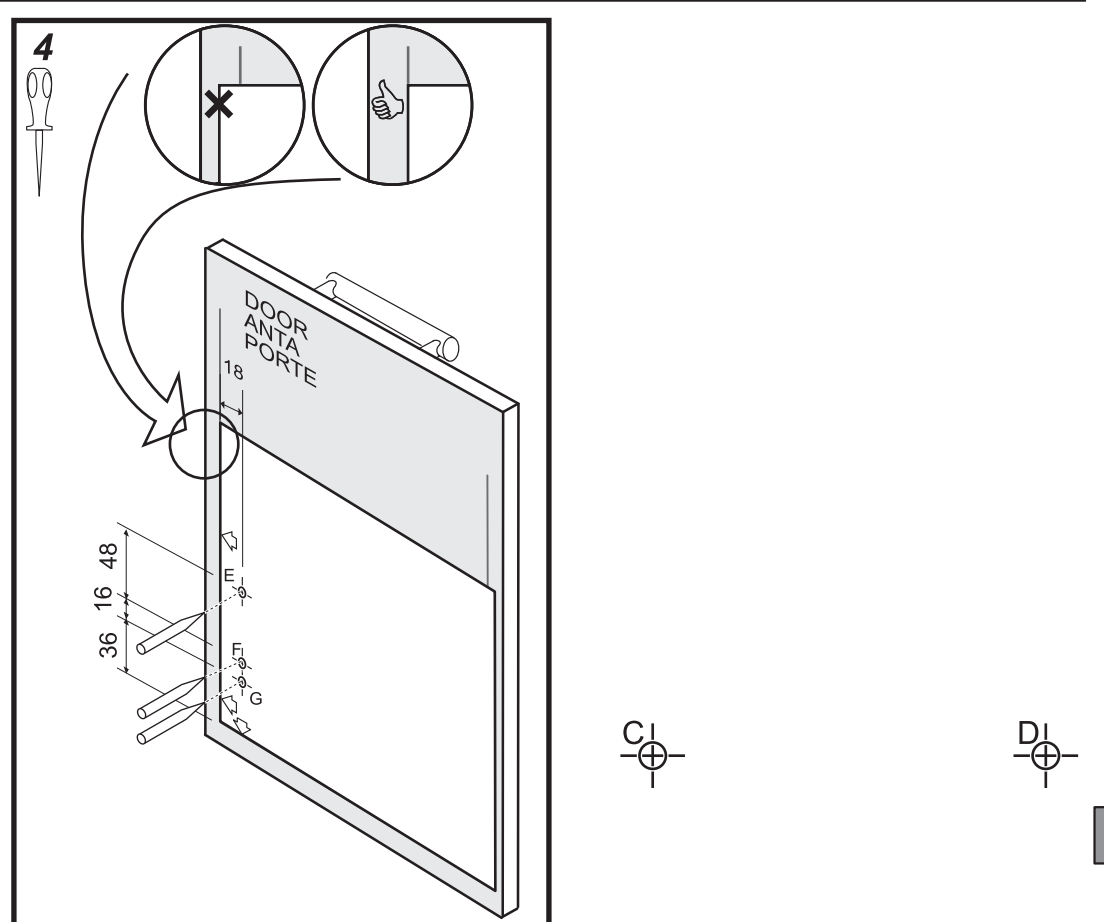
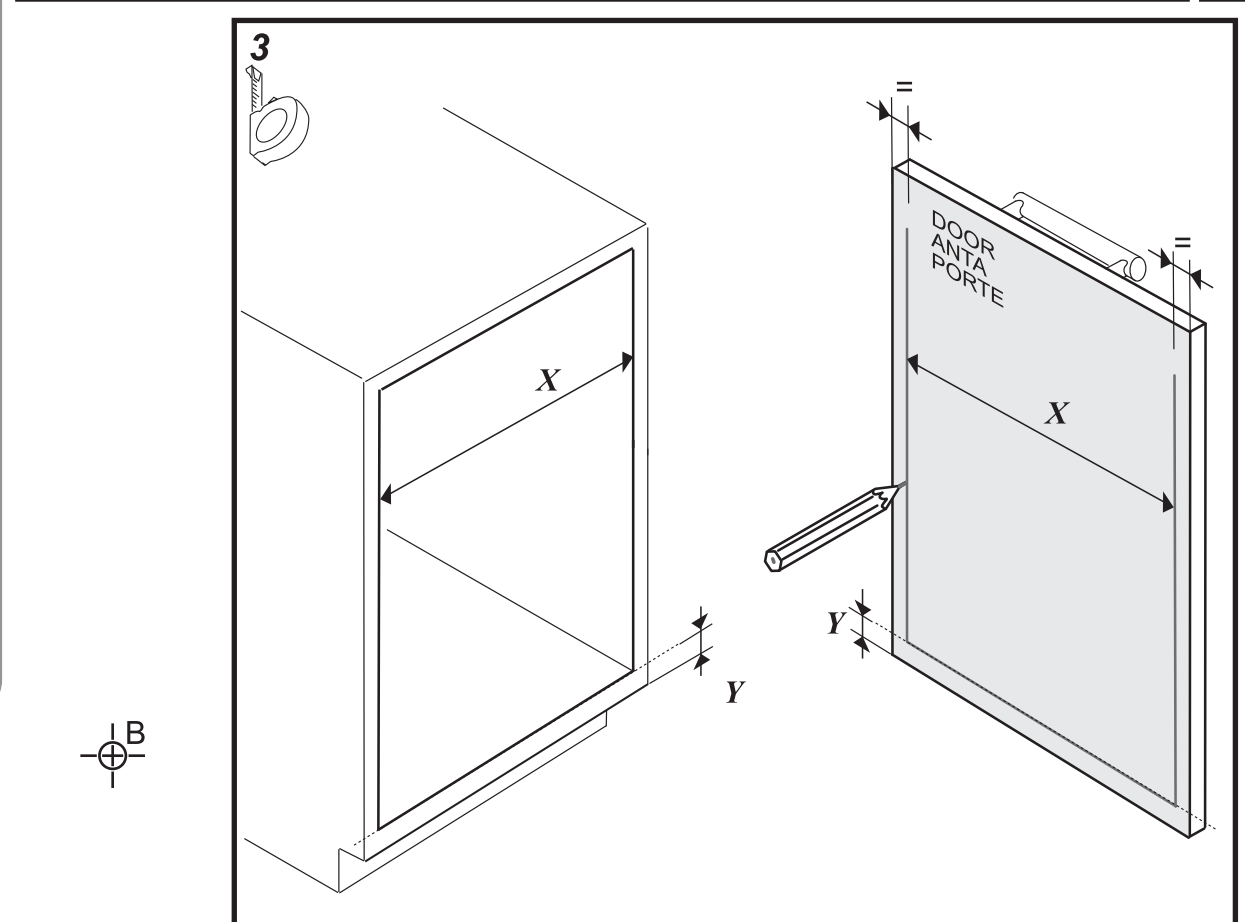
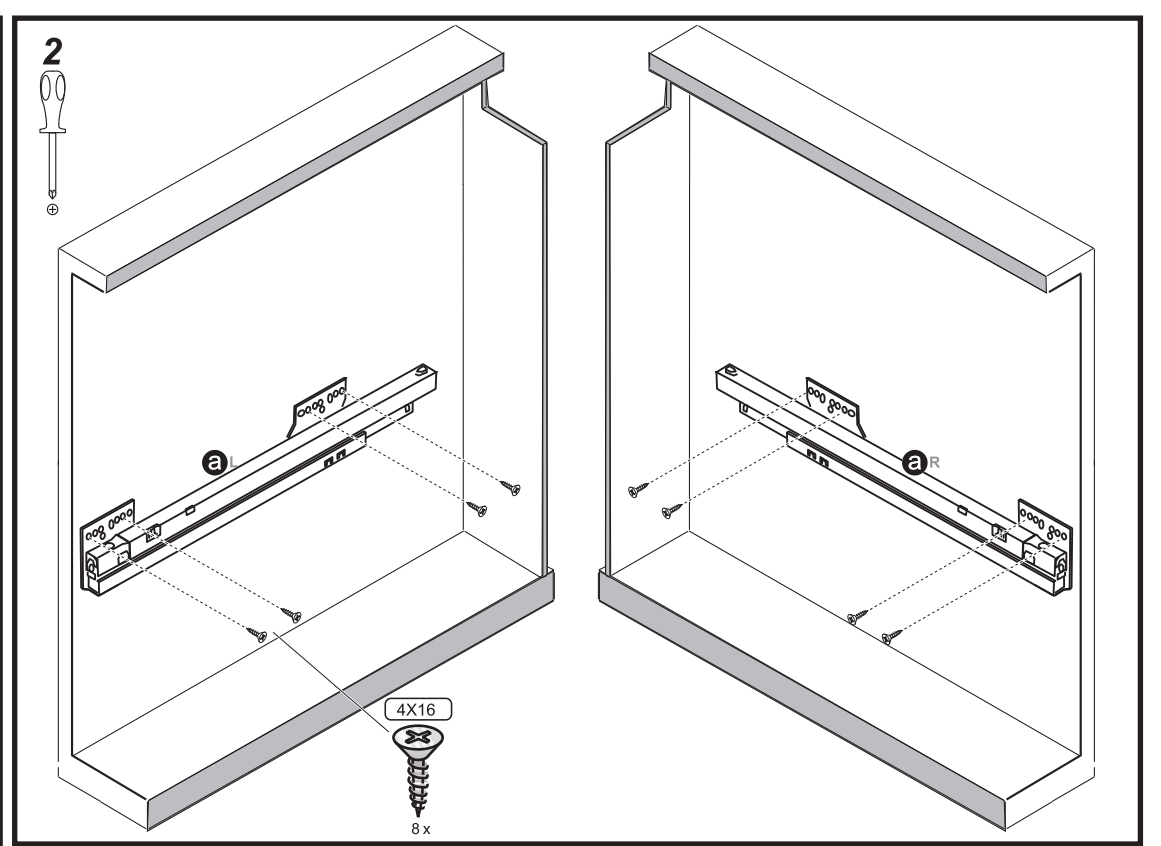
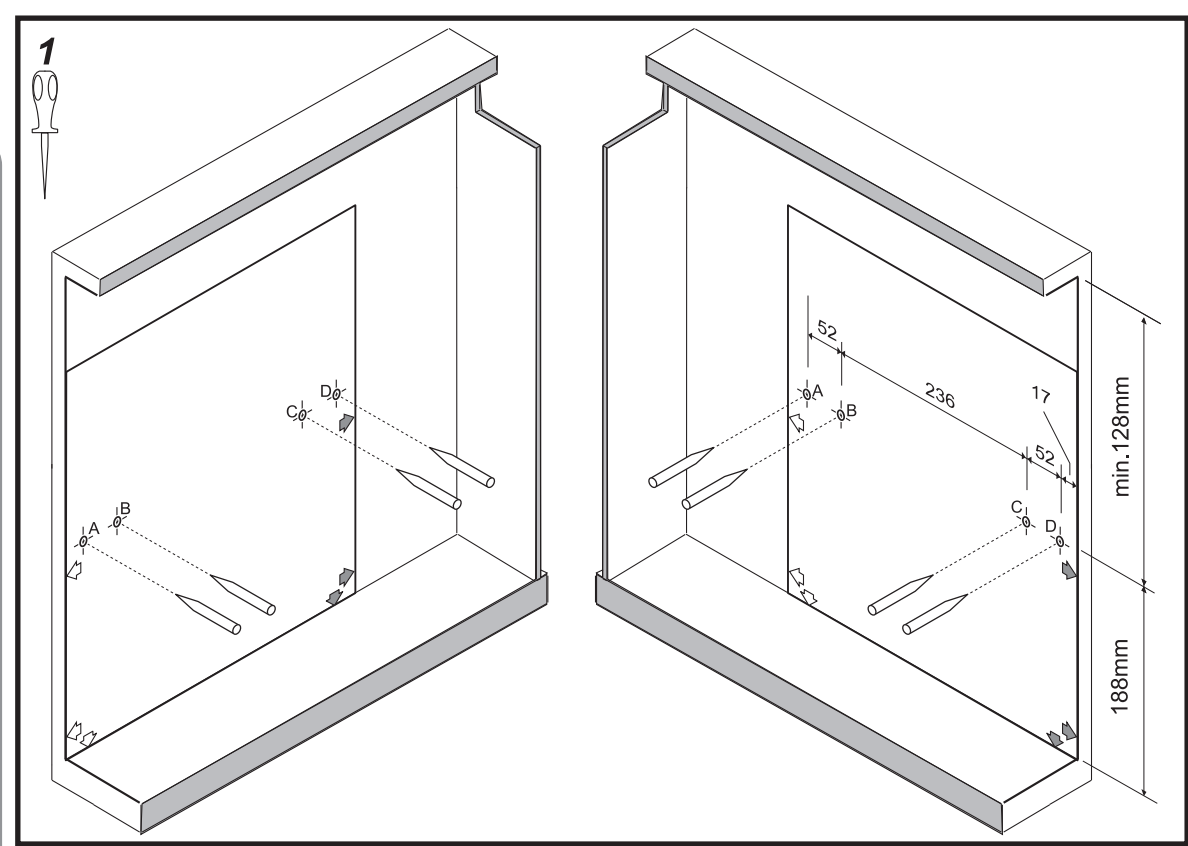
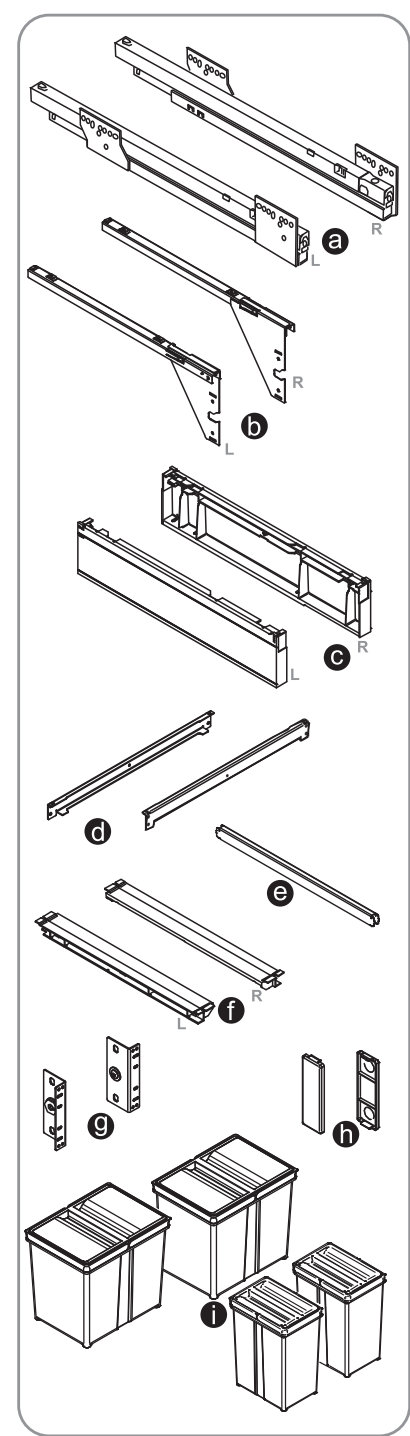


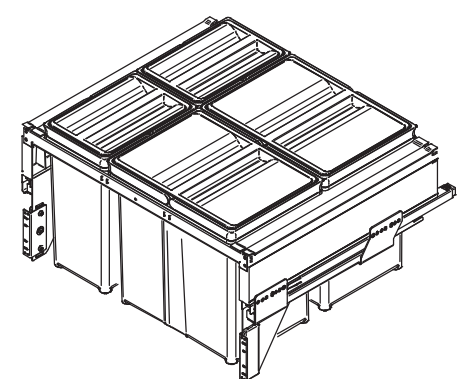
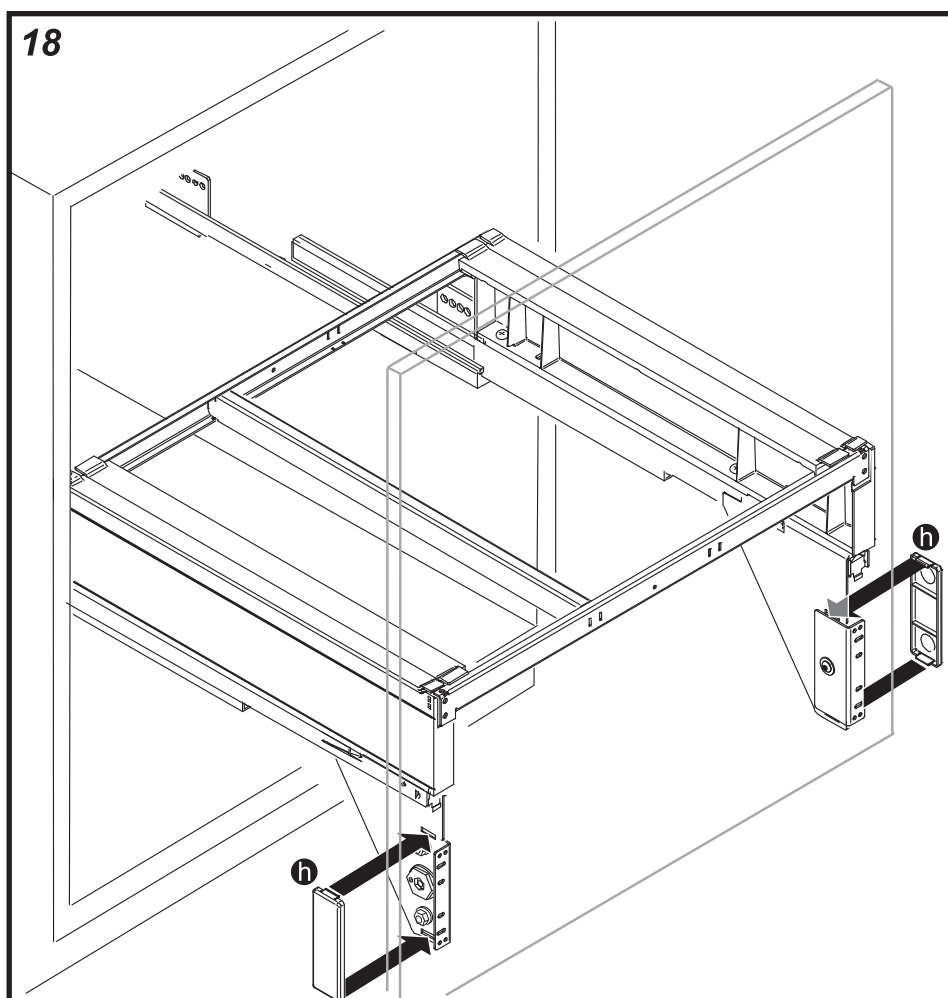
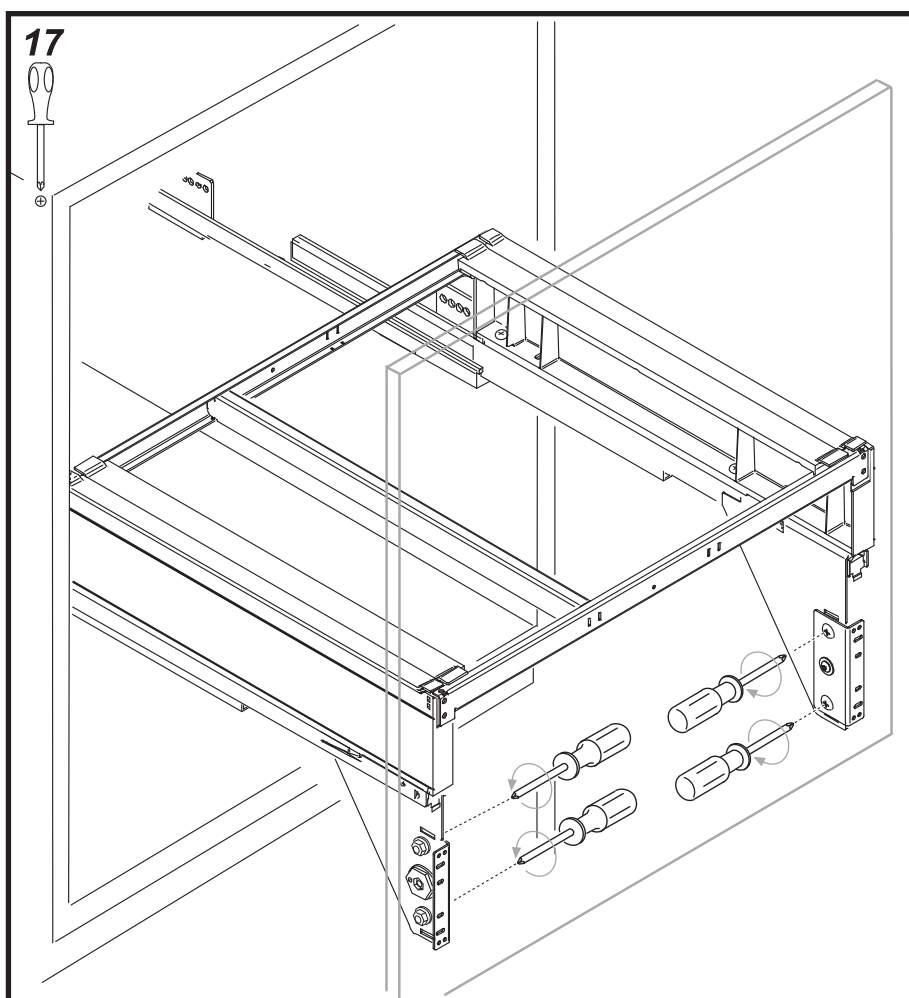
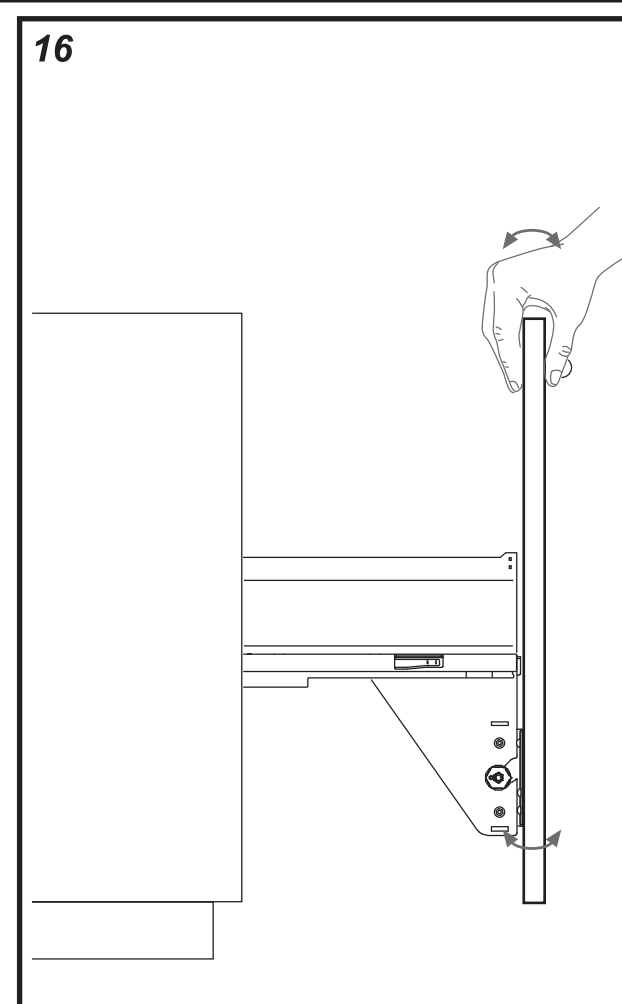
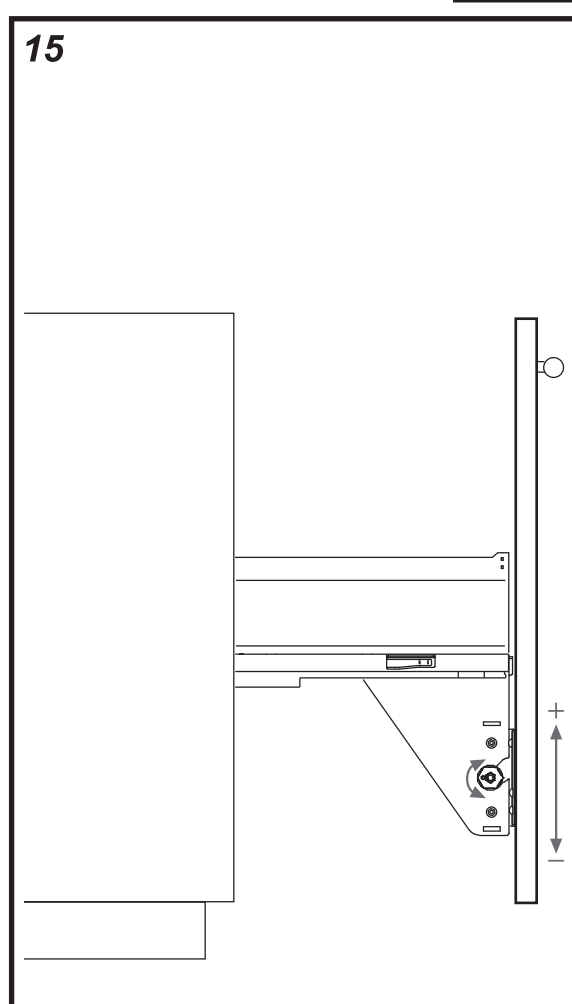
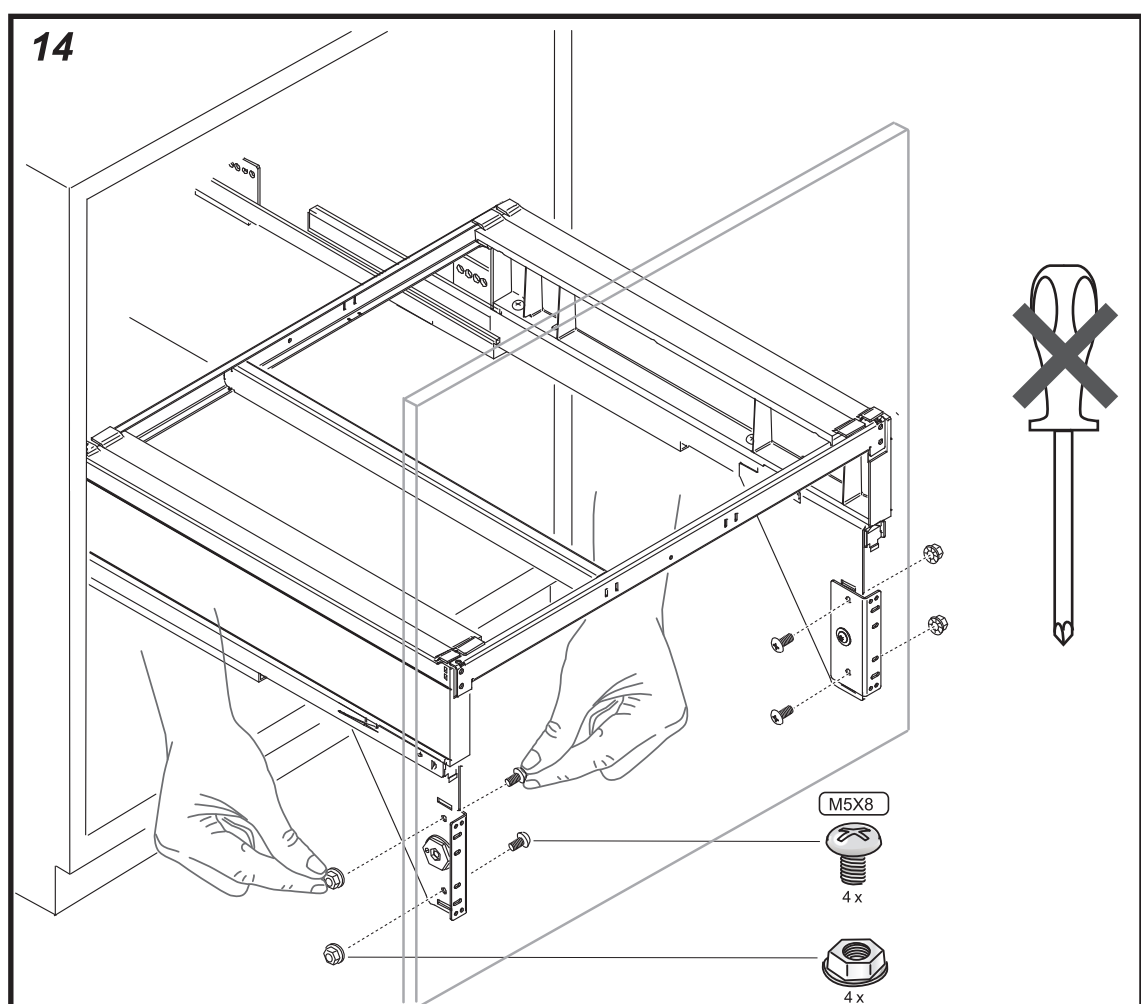
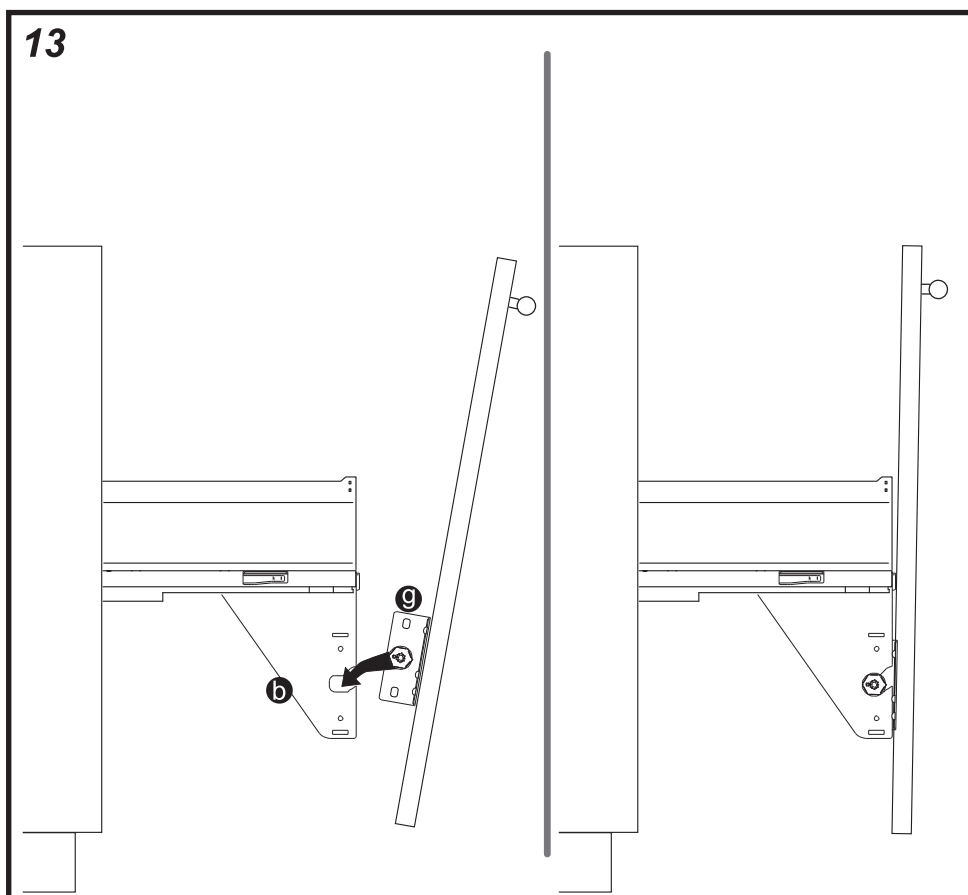
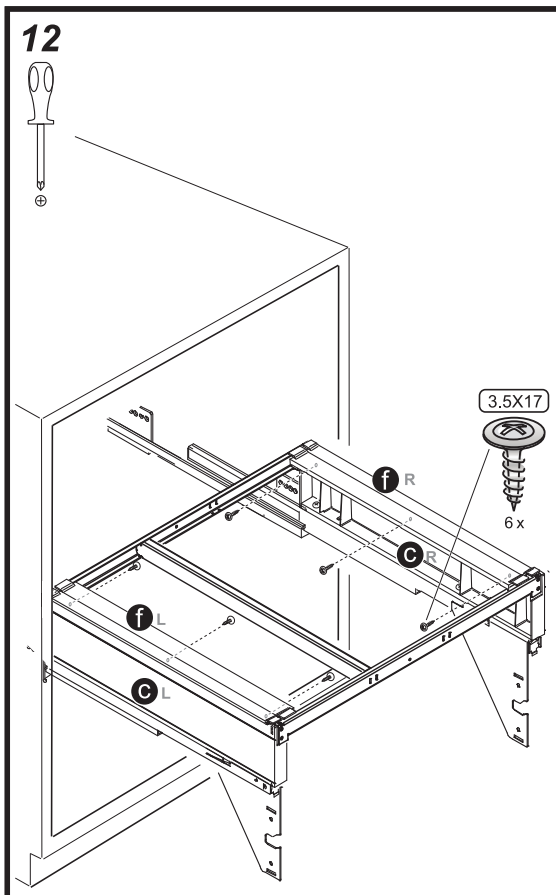
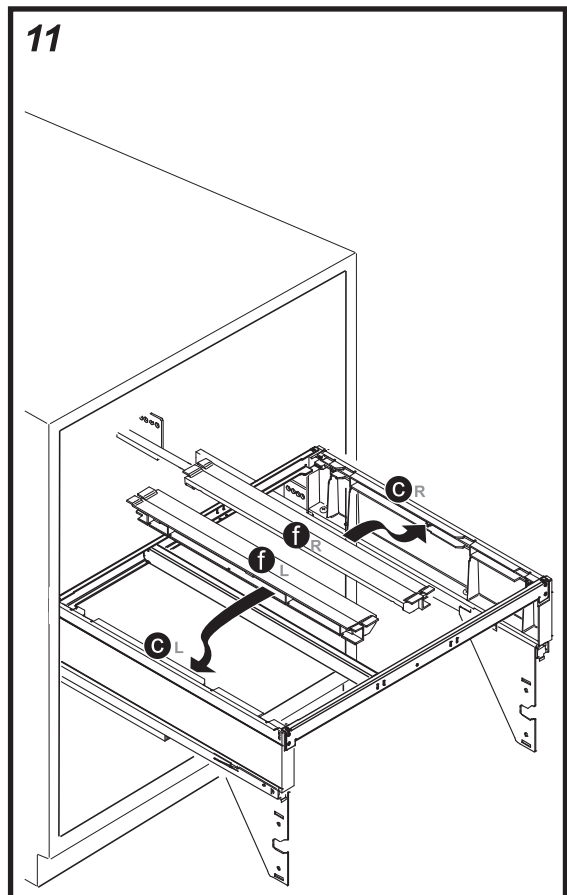
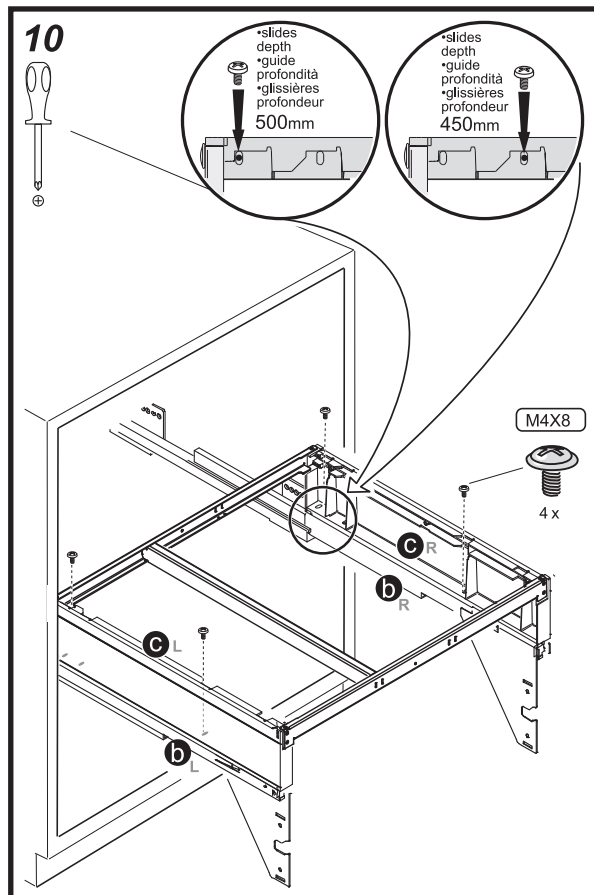




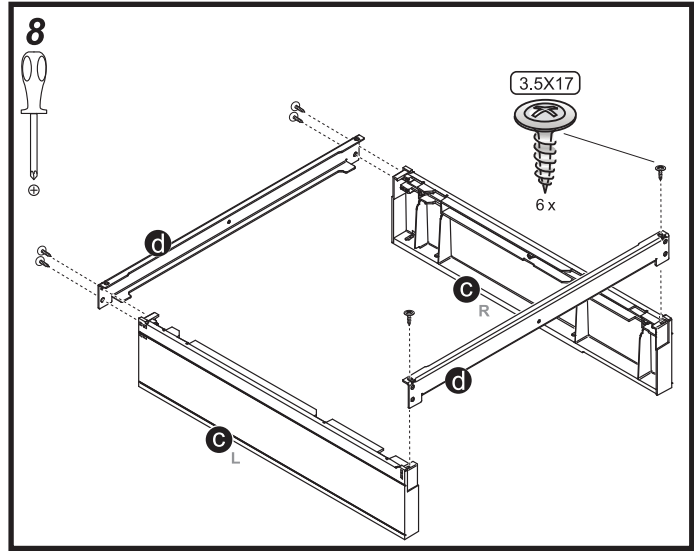
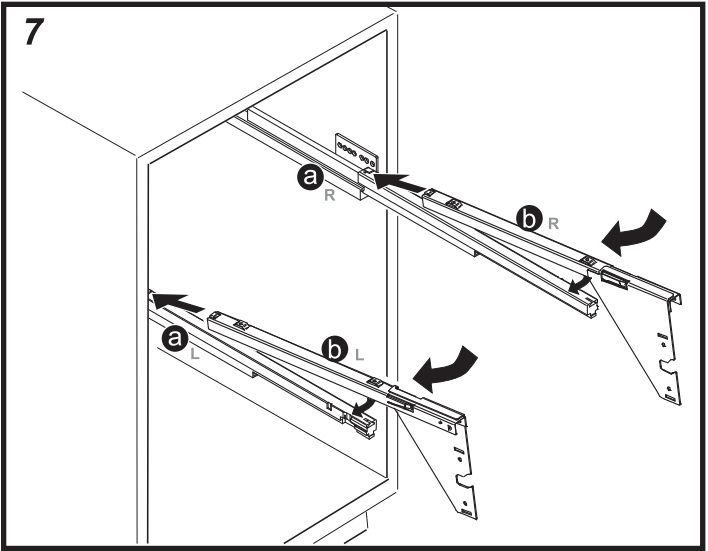
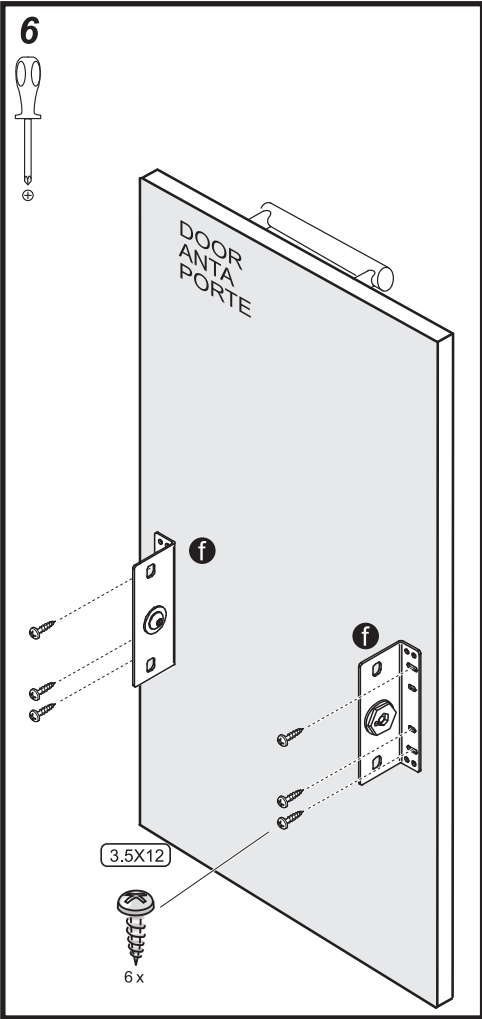
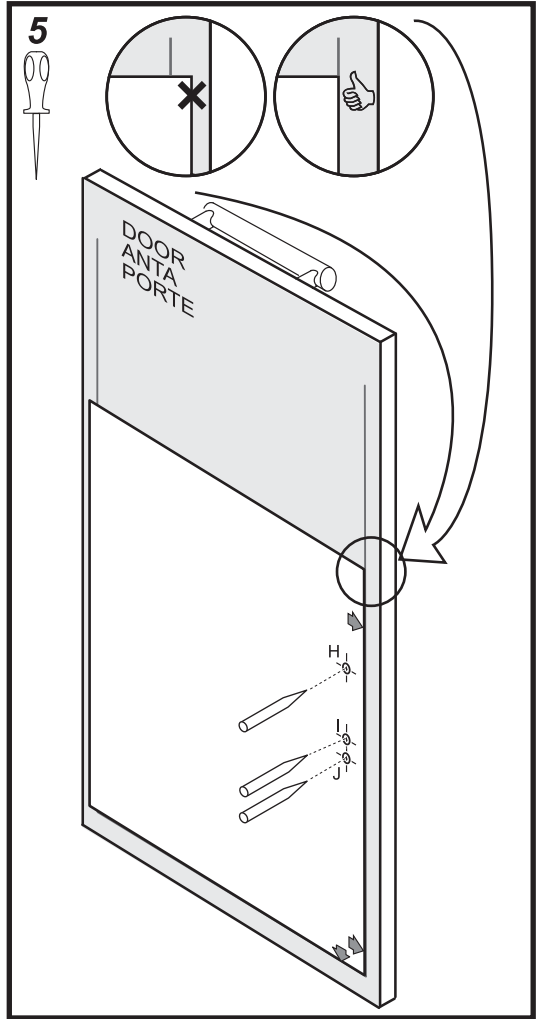
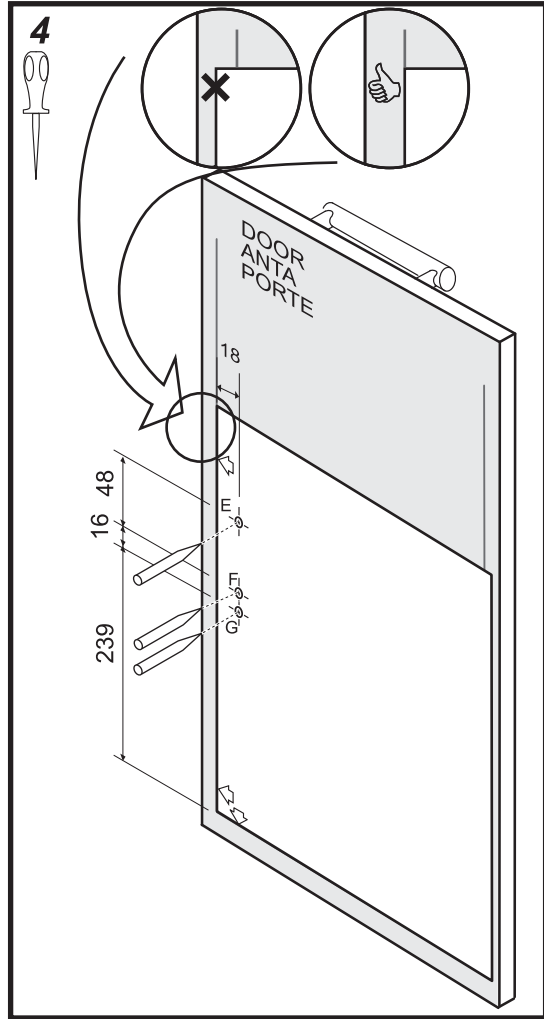
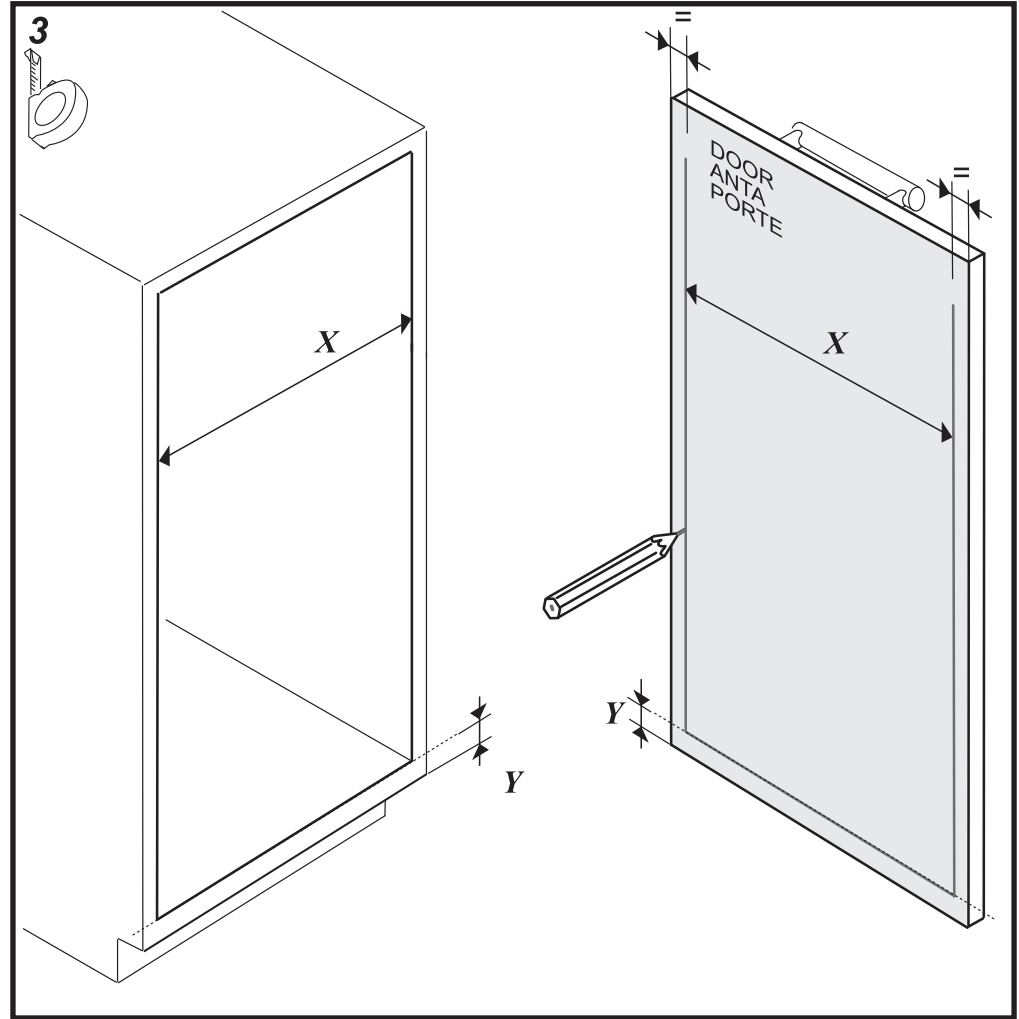
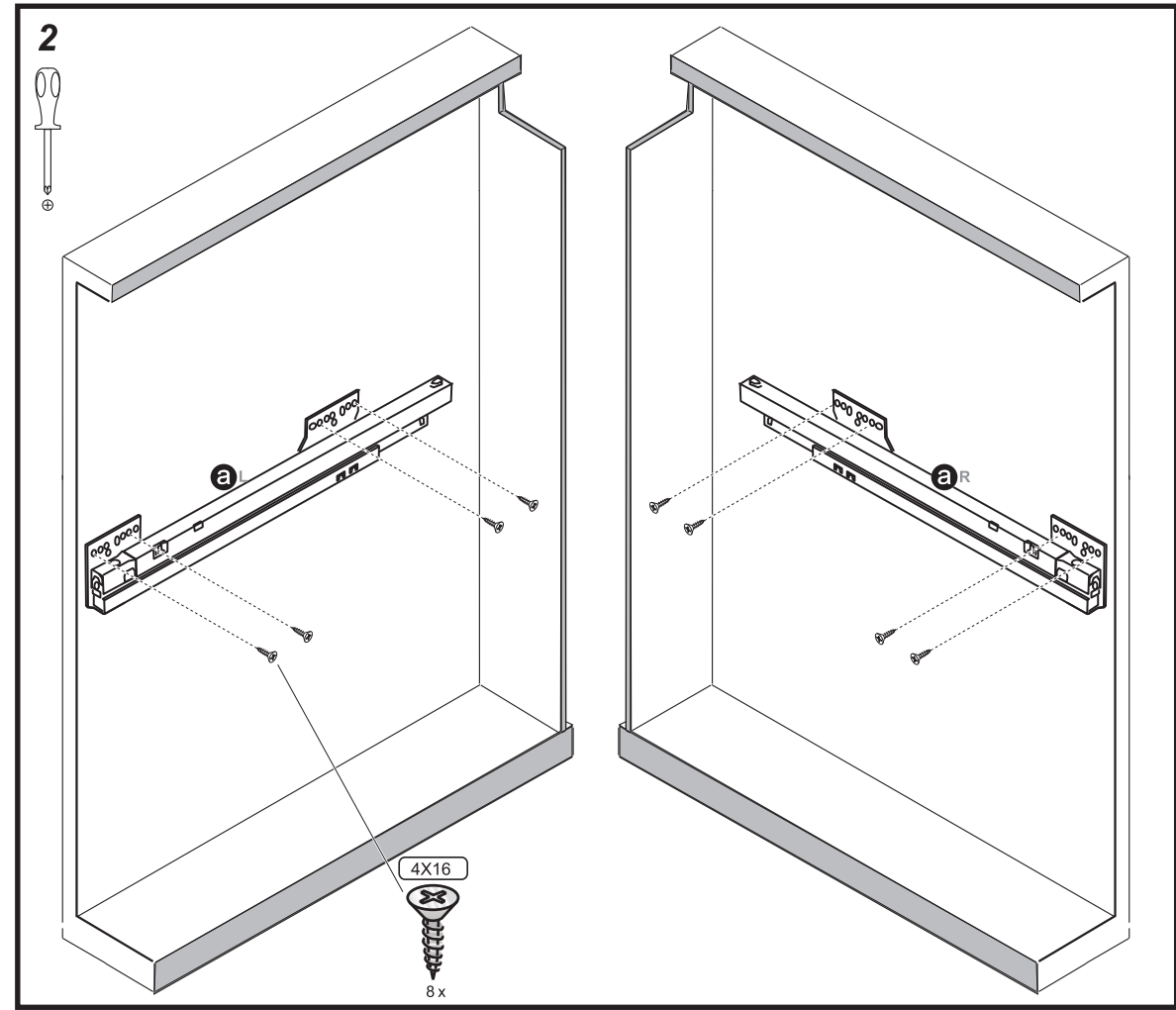
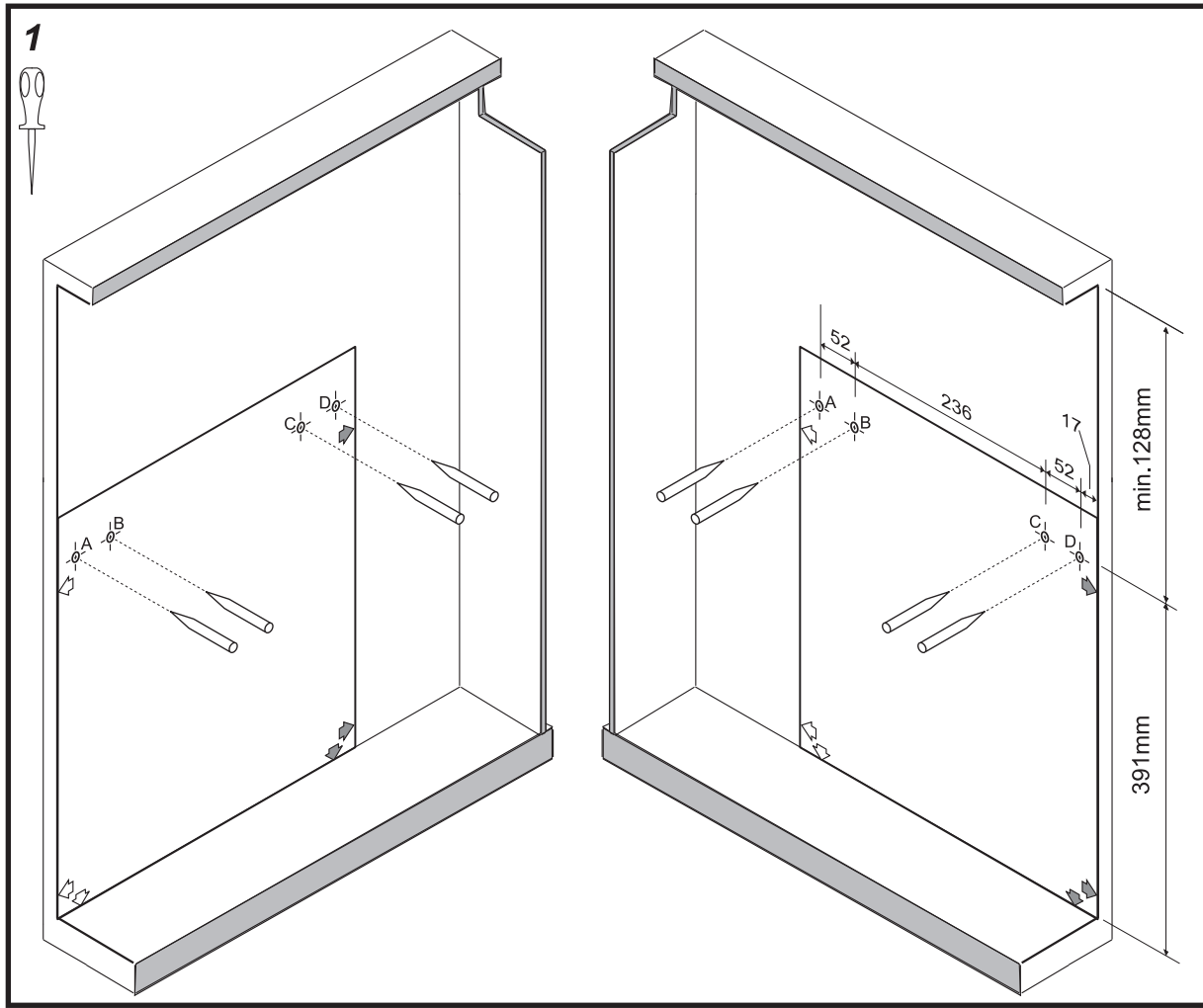
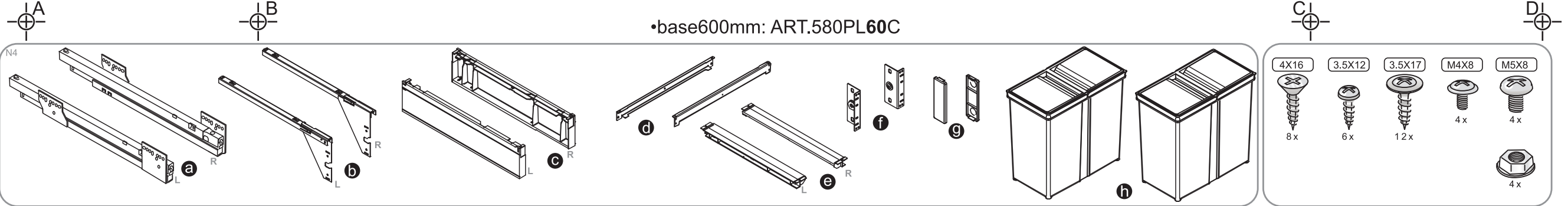


•base600mm:  
ART.580PL60B

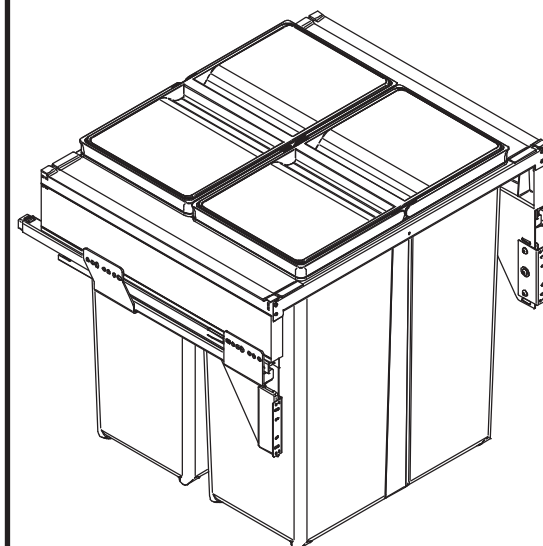
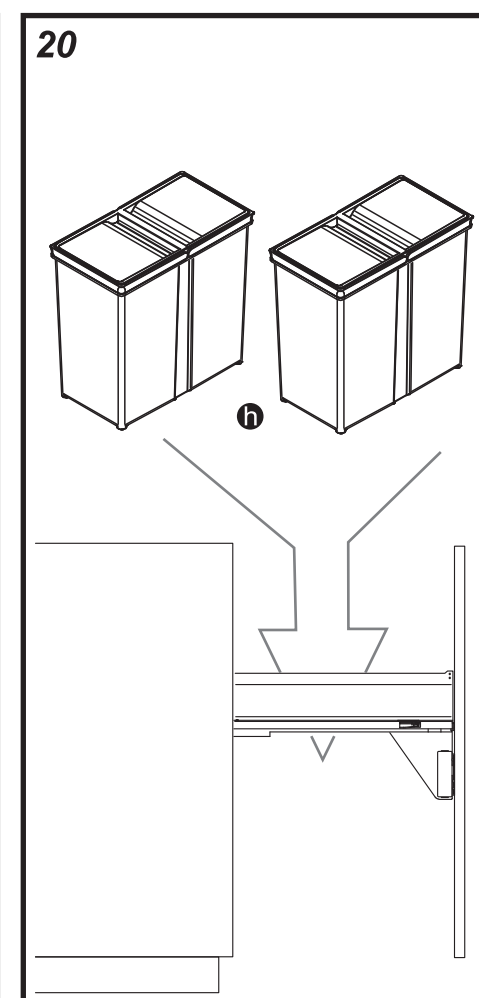
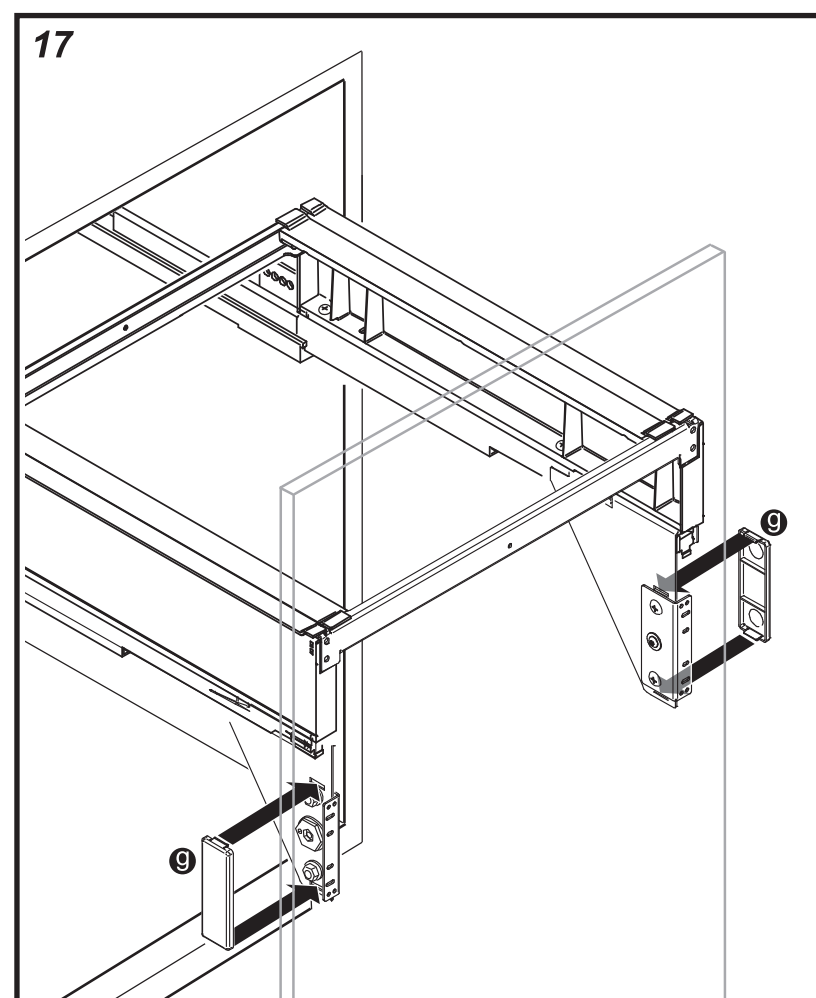
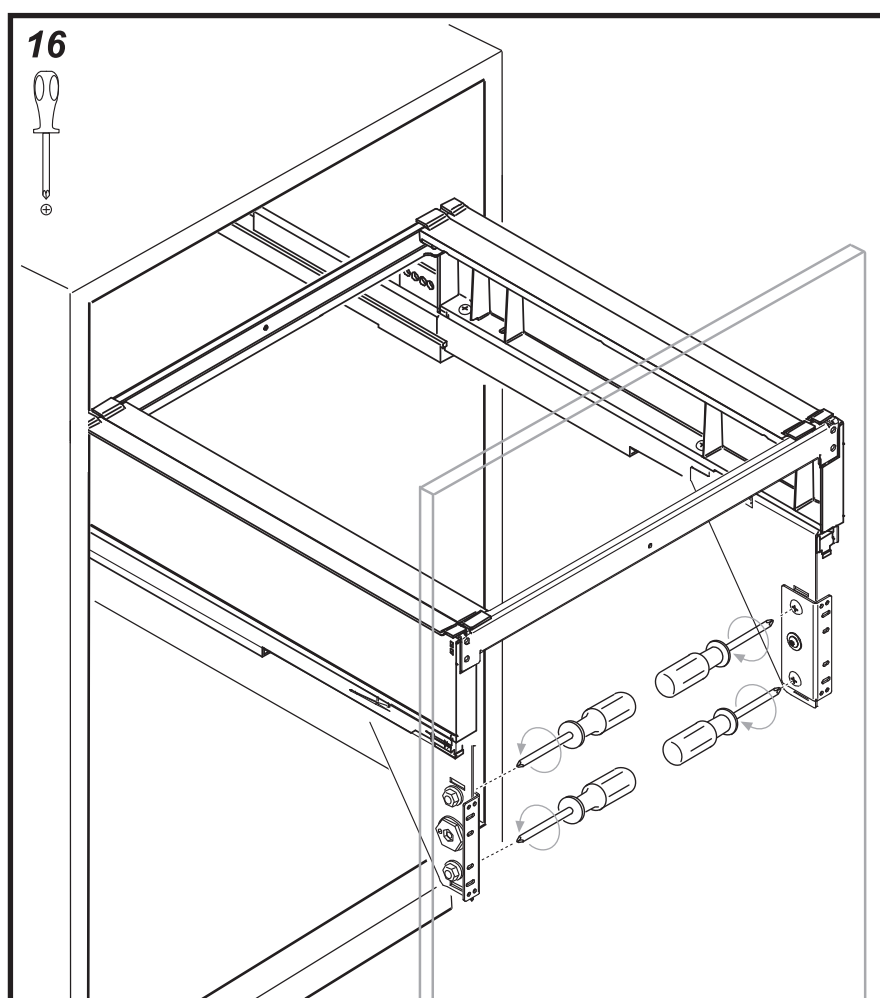
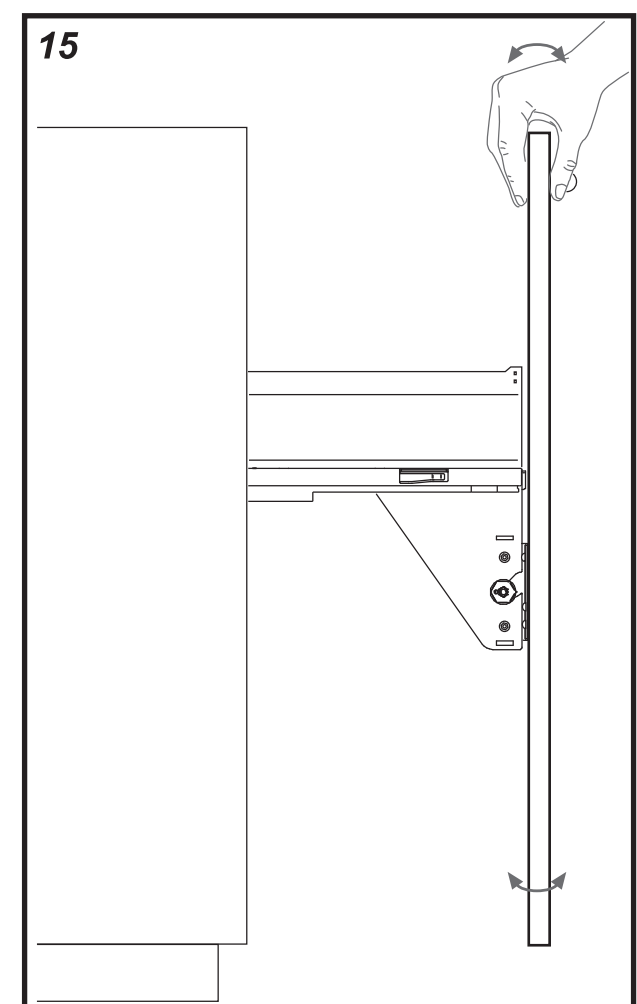
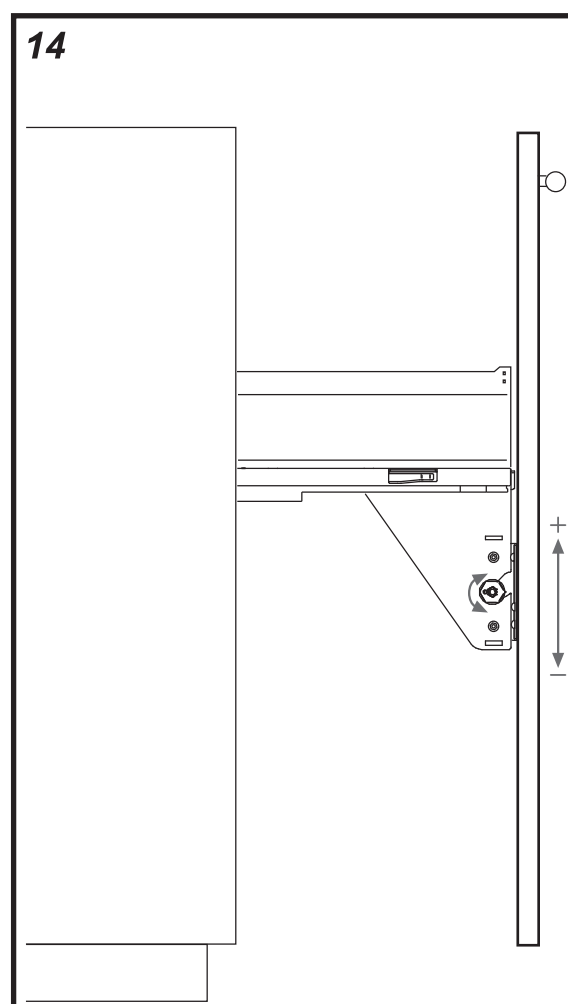
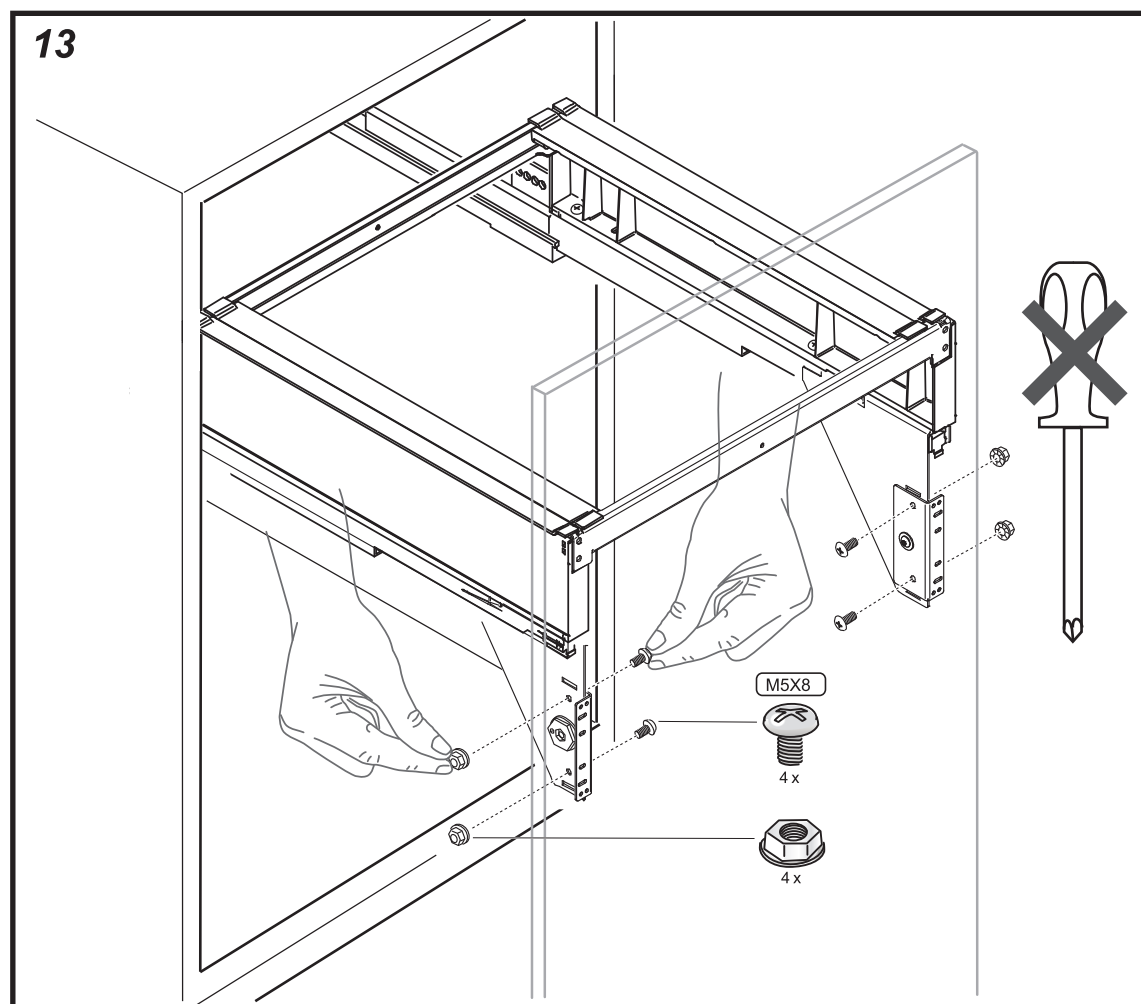
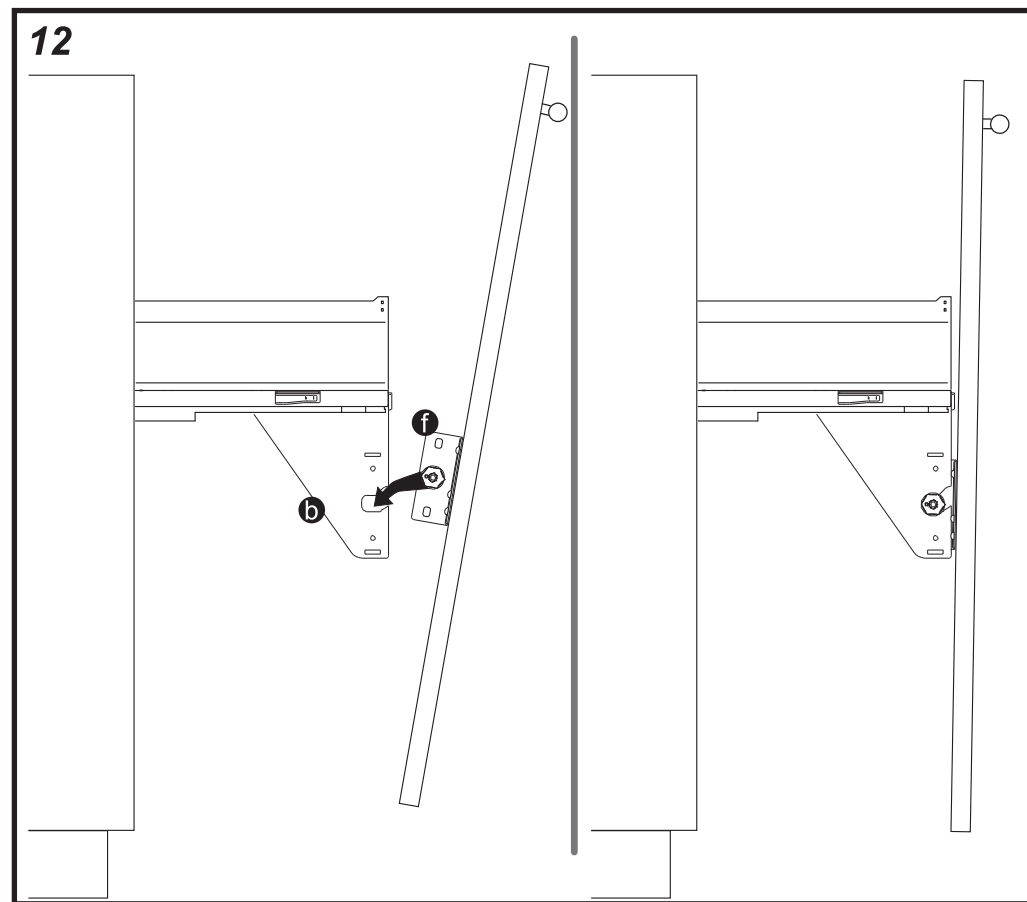
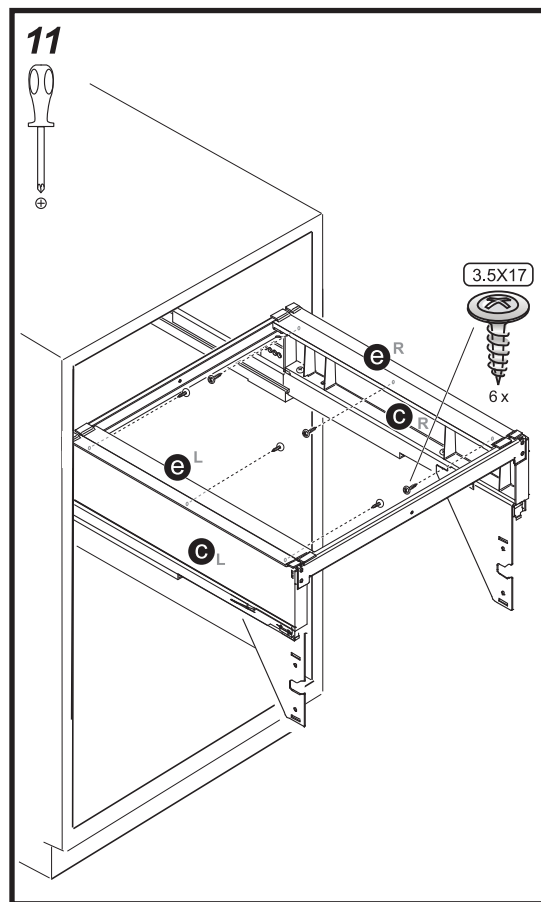
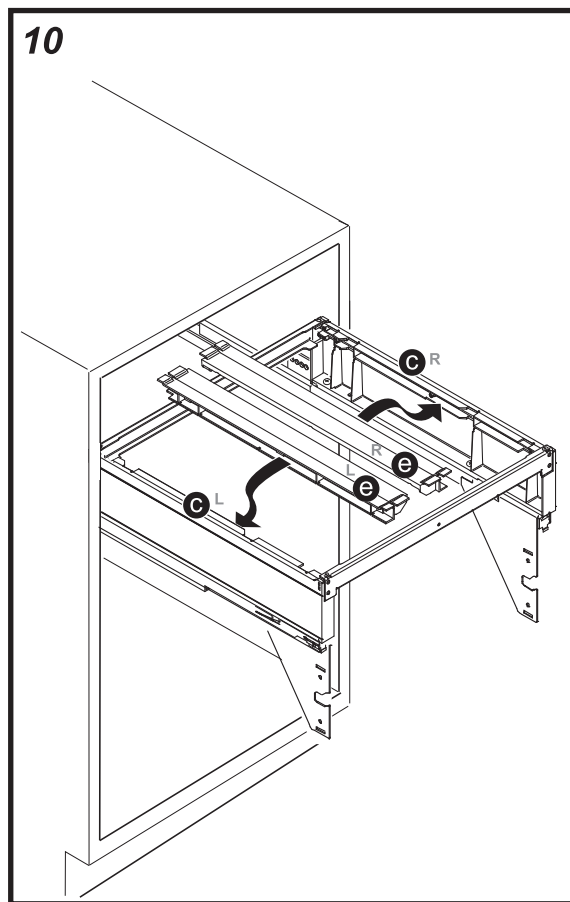
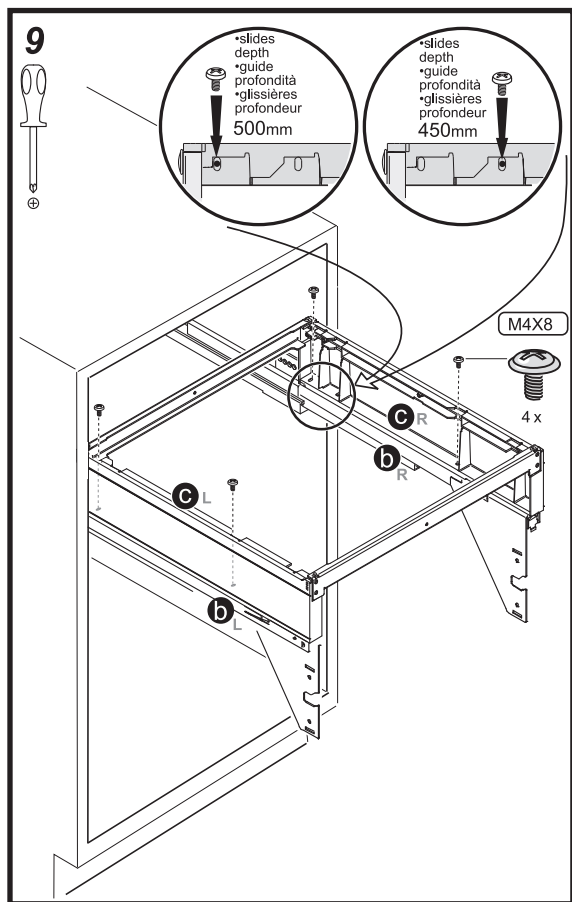












ART.580PL60C (H506)  
base 600

