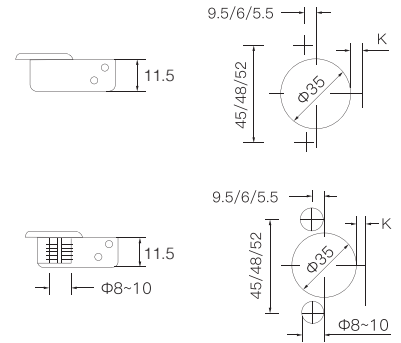


H Hinge system

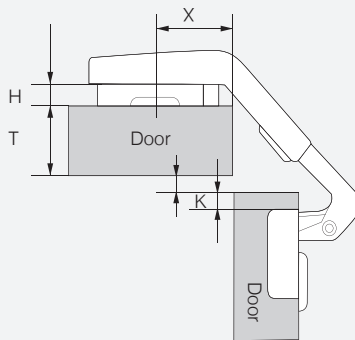
H17-135°; Clip-on; Two way



- Installation: Clip-on
- Opening degree: 135°
- Cup diameter: 35mm
- Cup depth: 11.5mm
- Cup distance: 45/48/52mm
- Door thickness: 14-22mm



Overlay



		K-Cup distance			
		4 (X=37)	5 (X=37)		
T-Door thickness					
	≤18	0	0		
	>18	2	2		
		H-Mounting plate height			

Cup assembly	Item No.
Screw on	H17C101N
Euro screw	H17C102N
φ8 press-in	H17C103N
φ10 press-in	H17C104N
φ8 expando	H17C105N
φ10 expando	H17C106N

* Standard cup distance is 45mm; if 48mm, please change code Hxxx1xxx to Hxxx2xxx; 52mm change to Hxxx3xxxS