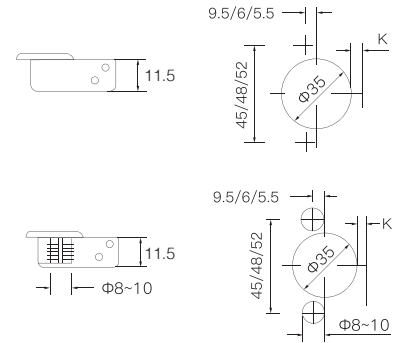


**H Hinge system**

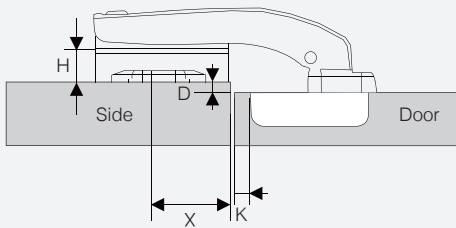
H90-90°; Clip-on; One way; Cam adjustment; Soft-close



- Installation: Clip-on
- Opening degree: 45°
- Cup diameter: 35mm
- Cup depth: 11.5mm
- Cup distance: 45/48/52mm
- Door thickness: 14-22mm



**Overlay**



		K-Cup distance		
		4 (X=20)	5 (X=19)	
D-Door overlay				
	2.8	0	0	
	0.8	2	2	
	-1.2	4	4	
		H-Mounting plate height		

Cup assembly	Item No.
Screw on	H90A101S
Euro screw	H90A102S
φ8 press-in	H90A103S
φ10 press-in	H90A104S
φ8 expando	H90A105S
φ10 expando	H90A106S

\* Standard cup distance is 45mm; if 48mm, please change code Hxxx1xxx to Hxxx2xxx; 52mm change to Hxxx3xxxS

\* Non soft-close change code HxxxxxxS to HxxxxxxN