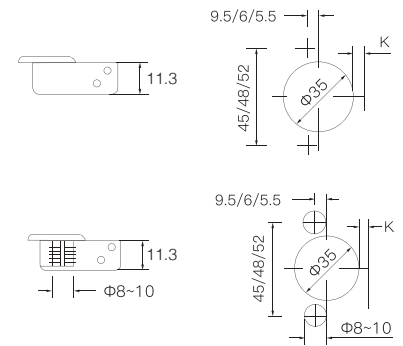


H Hinge system

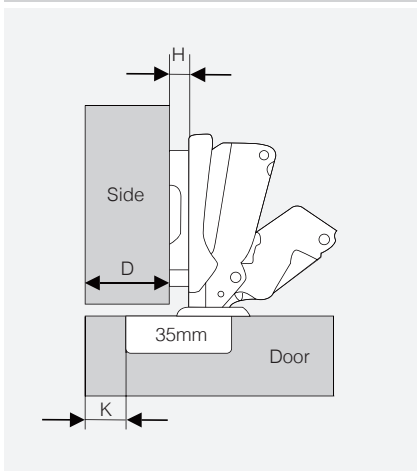
H96-155°; Clip-on; Cam adjustment; Soft-close



- Installation: Clip-on
- Opening degree: 155°
- Cup diameter: 35mm
- Cup depth: 11.3mm
- Cup distance: 45/48/52mm
- Door thickness: 16-24mm

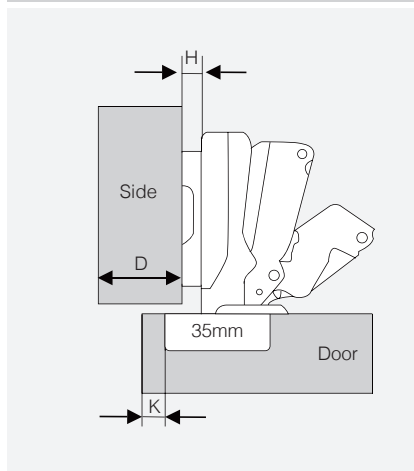


Overlay



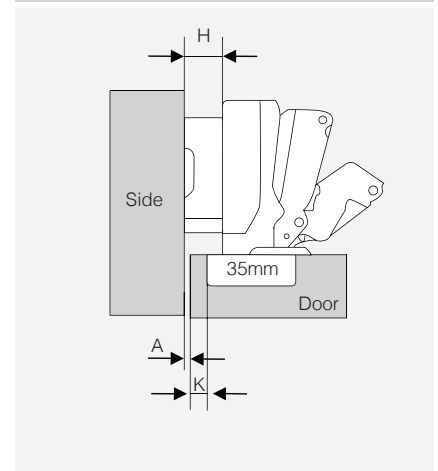
		K-Cup distance				
		3	4	5	6	7
D-Door overlay	21.0					0
	20.0				0	
	19.0			0		2
	18.0		0		2	
	17.0	0		2		4
	16.0		2		4	
	15.0			4		
	14.0		4			
13.0	4					
		H-Mounting plate height				

Half overlay



		K-Cup distance				
		3	4	5	6	7
D-Door overlay	12.0					0
	11.0				0	
	10.0			0		2
	9.0		0		2	
	8.0	0		2		4
	7.0		2		4	
	6.0			4		
	5.0		4			
4.0	4					
		H-Mounting plate height				

Inset



		K-Cup distance				
		3	4	5	6	7
A-Door reveal	4.0	4				
	3.0		4			
	2.0	2		4		
	1.0		2		4	
	0.0	0		2		4
	-1.0		0		2	
	-2.0			0		2
	-3.0				0	
-4.0					0	
		H-Mounting plate height				

Cup assembly	Item No.
Screw on	H96A101S
Euro screw	H96A102S
φ8 press-in	H96A103S
φ10 press-in	H96A104S
φ8 expando	H96A105S
φ10 expando	H96A106S

Cup assembly	Item No.
Screw on	H96B101S
Euro screw	H96B102S
φ8 press-in	H96B103S
φ10 press-in	H96B104S
φ8 expando	H96B105S
φ10 expando	H96B106S

Cup assembly	Item No.
Screw on	H96C101S
Euro screw	H96C102S
φ8 press-in	H96C103S
φ10 press-in	H96C104S
φ8 expando	H96C105S
φ10 expando	H96C106S

* Standard cup distance is 45mm; if 48mm, please change code Hxxx1xxx to Hxxx2xxx; 52mm change to Hxxx3xxxS

* Non soft-close change code HxxxxxxS to HxxxxxxN